

If you have questions or comments, contact us.

1-888-431-6871 • dewalt.com

INSTRUCTION MANUAL

DEWALT®

Generator DXGNR 7000

⚠ WARNING

To reduce the risk of injury, read and follow these instructions before operating product.

⚠ WARNING

California Proposition 65. Engine exhaust and some of its constituents are known to the state of California to cause cancer, birth defects, and other reproductive harm. (000004)



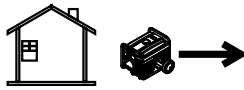
⚠ WARNING

California Proposition 65. This product contains or emits chemicals known to the state of California to cause cancer, birth defects, and other reproductive harm. (000005)

Safety	1
Safety Guidelines and Definitions	1
Safety Rules	1
Accessories	3
Service Information	4
Repairs	4
Free Warning Label Replacement	4
Assembly	5
Unpacking	5
Install Accessory Kits	5
Battery Replacement/Connection	5
Emissions Information	6
Operation	7
Know the Generator	7
Connection Plugs	8
How to Use the Generator	8
Know Generator Limits	9
Wattage Reference Guide	9
Before Starting Generator	10
Starting Pull Start Engines	11
Starting Electric Start Engines	11
Manual Start	12
Generator Shut Down	12
Low Oil Level Shutdown System	12
Charging the Battery (electric start units only)	12
Maintenance	13
Maintenance Recommendations	13
Maintenance Schedule	13
Product Specifications	13
Preventive Maintenance	14
Engine Maintenance	14
Battery Replacement/Connection	15
Valve Clearance	15
Inspect Spark Arrester Screen (CARB models)	15
Storage	16
Troubleshooting	17

This page intentionally left blank.

Safety Guidelines and Definitions

⚠ DANGER	
<p>Using a generator indoors CAN KILL YOU IN MINUTES.</p> <p>Generator exhaust contains carbon monoxide. This is a poison you cannot see or smell.</p>	
	
<p>NEVER use inside a home or garage, EVEN IF doors and windows are open.</p>	 <p>Only use OUTSIDE and far away from windows, doors, and vents.</p>

000657

This instruction manual contains information important for you to know and understand so that your generator may properly, safely, and effectively be applied and operated. All operators, users and subsequent owners of this generator must read and understand all instructions before operating the generator. Save these instructions for future reference.

To help you recognize information important to protecting YOUR SAFETY and PREVENTING EQUIPMENT PROBLEMS, we use the symbols below.

⚠ DANGER Indicates an imminently hazardous situation which, if not avoided, will result in death or serious injury.

⚠ WARNING Indicates a potentially hazardous situation which, if not avoided, could result in death or serious injury.

⚠ CAUTION Indicates a potentially hazardous situation which, if not avoided, may result in minor or moderate injury.

NOTICE: Indicates a practice not related to personal injury which, if not avoided, may result in property damage.

Safety Rules

SPARK ARRESTING MUFFLER
<p>Certain States and Jurisdictions require that engine driven equipment be fitted with spark arresting mufflers. Depending on the generator model, spark-arresting mufflers may or may not be fitted. If spark-arresting mufflers are required for your location and the generator muffler is not spark arresting, contact your local dealer for instructions for a retrofit.</p>

SPARK ARRESTOR
<p>If the product will be used around flammable materials, such as agricultural crops, forests, brush, grass, or other similar items, then an approved spark arrester should be installed and is legally required in the State of California. The California statutes requiring a spark arrester are Sections 13005(b), 4442 and 4443. Spark Arresters are also required on some U.S. Forest Service land and may also be legally required under other statutes and ordinances. An approved spark arrester is provided and is also available from our product dealers, or may be ordered from DEWALT Industrial Tool Co., 701 East Joppa Road, Baltimore, MD 21286. 1-888-431-6871.</p>

EXHAUST EMISSION CONTROL SYSTEM
<p>The exhaust emission control system for this generator complies with the standards set forth by the California Air Resources Board (CARB) and the Environmental Protection Agency (EPA). The respective engine manufacturers administer warranties for the exhaust emission system. Refer to the engine documentation for warranty information.</p>

⚠ WARNING
<p>The engine exhaust from this product contains chemicals known to the State of California to cause cancer, birth defects, or other reproductive harm.</p>

RISK OF ASPHYXIATION

⚠ DANGER DO NOT OPERATE THIS GENERATOR WITHIN AN ENCLOSED AREA. THE EXHAUST GASES OF THIS GENERATOR EMIT “DEADLY” CARBON MONOXIDE. EXPOSURE TO CARBON MONOXIDE CAN CAUSE CARBON MONOXIDE POISONING, HEADACHES, NAUSEA, SEVERE SICKNESS OR DEATH.

RISK OF ELECTROCUTION OR SHOCK

⚠ DANGER THIS GENERATOR SET PRODUCES ELECTRICAL CURRENT. THEREFORE, SAFETY GUIDELINES MUST BE FOLLOWED. IMPROPER USE OF THIS GENERATOR CAN RESULT IN ELECTROCUTION, INJURY OR DEATH. DO NOT OPERATE, SERVICE OR REPAIR THIS GENERATOR UNLESS FULLY QUALIFIED TO DO SO.

⚠ DANGER THIS GENERATOR SET IS DESIGNED TO BE OPERATED IN DRY CONDITIONS AND FOR OUTDOOR AREAS ONLY. NEVER OPERATE THIS GENERATOR INDOORS. NEVER OPERATE THIS GENERATOR IN RAIN, SNOW, SLEET OR GENERALLY WET CONDITIONS. DAMAGE TO THE GENERATOR, BODILY INJURY, OR DEATH COULD RESULT FROM ELECTROCUTION.

⚠ DANGER IF THIS GENERATOR IS CONNECTED TO A BUILDING, HOME, BUSINESS, OR ANY OTHER ELECTRICAL CIRCUIT NORMALLY FED BY UTILITY POWER, STEPS MUST BE TAKEN TO INSURE THE GENERATOR OUTPUT AND THE UTILITY POWER ARE POSITIVELY ISOLATED. THIS IS TYPICALLY ACCOMPLISHED THROUGH THE USE OF A PROPERLY INSTALLED TRANSFER SWITCH. FAILURE TO ISOLATE THE UTILITY AND GENERATOR ELECTRICAL SYSTEMS WILL RESULT IN GENERATOR DAMAGE AND COULD RESULT IN INJURY OR DEATH TO UTILITY WORKERS DUE TO THE BACKFEED OF ELECTRICITY.

⚠ DANGER TO AVOID BACKFEEDING INTO UTILITY SYSTEMS, ISOLATION OF THE RESIDENCE ELECTRICAL SYSTEM IS REQUIRED. BEFORE CONNECTION OF A GENERATOR TO THE RESIDENCE ELECTRICAL SYSTEM TURN OFF THE MAIN SWITCH. BEFORE MAKING PERMANENT CONNECTIONS A DOUBLE THROW TRANSFER SWITCH MUST BE INSTALLED. TO AVOID ELECTROCUTION OR PROPERTY DAMAGE, ONLY A TRAINED ELECTRICIAN SHOULD CONNECT GENERATOR TO RESIDENCE ELECTRICAL SYSTEM. CALIFORNIA LAW REQUIRES ISOLATION OF THE RESIDENCE ELECTRICAL SYSTEM BEFORE CONNECTING A GENERATOR TO RESIDENCE ELECTRICAL SYSTEMS. TEMPORARY CONNECTION NOT RECOMMENDED DUE TO BACKFEEDING.

ALWAYS FOLLOW LOCAL CODES AND REGULATIONS THAT APPLY TO THE INSTALLATION OF ANY ITEM THAT CONCERNS THIS PRODUCT.

1. NFPA 70 - National Electrical Code.
2. NFPA 37 - Standard for Installation and Use of Stationary Combustible Engines.
3. Agricultural Wiring handbook of Farm Standby Electric Power.

⚠ DANGER DO NOT MODIFY OR MISAPPLY YOUR GENERATOR SET. OPERATION OF THE GENERATOR OTHER THAN INTENDED COULD RESULT IN GENERATOR SET DAMAGE, BODILY INJURY OR EVEN DEATH FROM ELECTROCUTION.

⚠ DANGER NEVER TOUCH A RECEPTACLE OR BARE WIRE. ELECTROCUTION OR SHOCK COULD RESULT.

RISK OF FIRE OR EXPLOSION

⚠ WARNING ALWAYS INSURE THAT AT LEAST 6 FEET OF CLEARANCE ON ALL SIDES OF THE GENERATOR ARE MAINTAINED DURING OPERATION. FAILURE TO MAINTAIN PROPER CLEARANCE COULD DAMAGE YOUR GENERATOR AND POTENTIALLY LEAD TO FIRES.

⚠ WARNING GASOLINE IS HIGHLY FLAMMABLE AND ITS VAPORS ARE EXPLOSIVE. FAILURE TO PROPERLY HANDLE GASOLINE CAN RESULT IN EXPLOSION OR FIRE. DO NOT PERMIT SMOKING WITHIN 50FT OF THIS GENERATOR SET.

⚠ WARNING NEVER REFILL A HOT GENERATOR WITH FUEL. NEVER REFILL THE GENERATOR WHILE IT IS RUNNING. SPILLAGE ONTO THE ENGINE OR GENERATOR COULD RESULT IN AN EXPLOSION OR FIRE. ALWAYS ALLOW THE GENERATOR SET TO COOL BEFORE REFILLING.

⚠ WARNING DO NOT STORE THIS GENERATOR SET IN ANY LOCATION WHERE GASOLINE FUMES COULD POTENTIALLY COME INTO CONTACT WITH SPARKS, A PILOT LIGHT OR AN OPEN FLAME. IMPROPER STORAGE OF THIS GENERATOR COULD RESULT IN AN EXPLOSION OR FIRE.

⚠ WARNING INSPECT THE SPARK ARRESTOR PERIODICALLY. SPARK ARRESTORS ARE REQUIRED IN SOME AREAS AND MINIMIZE THE RISK OF FIRE FROM SPARKS EMITTED FROM THE EXHAUST.

⚠ WARNING DO NOT OPERATE THIS GENERATOR IF THE AMBIENT TEMPERATURE EXCEEDS 104°F/40°C.

⚠ WARNING DO NOT EXCEED THE RATED CAPACITY OF THE GENERATOR. THE TOTAL ELECTRICAL LOADS AT EACH OUTLET MUST BE ADDED TO DETERMINE THE TOTAL ELECTRICAL LOAD. THE TOTAL LOAD MUST NOT EXCEED THE RATED CAPACITY OF THE GENERATOR. IF THE DRIVEN APPARATUS DOES NOT LIST WATTAGE, BUT ONLY AMPERAGE, WATTAGE MAY BE DETERMINED BY MULTIPLYING AMPERAGE TIMES VOLTAGE (WATTS = AMPS X VOLTS).

GENERAL SAFETY

Always follow National and Local electrical codes pertaining to generators. All local and national codes supersede rules or information provided in this manual.

⚠ WARNING REFER TO LOCAL AND NATIONAL ELECTRICAL CODES TO DETERMINE GROUNDING REQUIREMENTS AS THIS CAN VARY PER APPLICATION. THE GENERATOR IS GROUNDED INTERNALLY NEUTRAL TO FRAME. WHERE APPLICATIONS REQUIRE EXTERNAL GROUNDING, A CONNECTION MUST BE MADE FROM THE GENERATOR TO A SOLID EARTH GROUND. A CONTINUOUS LENGTH OF SPLICE-FREE COPPER CABLE, NO SMALLER THAN 6 AWG, SHALL BE USED FOR THE CONDUCTOR.

- When moving or transporting this generator, take proper precautions to avoid fuel spillage. Further, always use common sense when lifting this generator. An adequate number of people and proper lifting methods must be used.
- Do not cover the generator while it is running or immediately after shutdown. Always allow time to cool down before covering.
- Do not operate this generator unless it is in good mechanical and electrical condition.
- Always keep hands, body parts, hair and clothing well away from the rotating parts of the generator.
- Do not start this generator with connected devices turned "ON". Always make sure that connected devices are disconnected from the generator or turned "OFF" before starting the generator.
- Generators operating on job or construction sites may be required to have GFCI (Ground Fault Circuit Interrupters) receptacles.
- Use only grounded extension cords in good condition and make sure that the wire size within the extension cords is of sufficient size to safely carry the surge output of the generator.
- Never handle extension cords or electrical circuits if standing in water or if standing in a damp area.

RISK OF BODILY INJURY

⚠ WARNING KEEP HANDS, BODY PARTS, HAIR AND CLOTHING AWAY FROM THE "HOT" PARTS OF THE GENERATOR SET DURING AND AFTER OPERATION. THE EXHAUST SYSTEM, AND THE GENERATOR IN GENERAL, CAN REMAIN VERY HOT EVEN AFTER BEING SHUT DOWN.

⚠ WARNING DO NOT TAMPER WITH THE ENGINE-GOVERNED SPEED. THE GENERATOR OPERATES AT A NOMINAL SPEED OF 3600 RPM. INCREASES IN SPEED OVER THE 3600 RPM NOMINAL WILL INCREASE THE CHANCE OF PERSONAL INJURY DUE TO ROTATIONAL STRESSES ON THE ROTATING MEMBERS. OPERATION OF THE GENERATOR AT SPEEDS BELOW THE NOMINAL 3600 RPM COULD CAUSE DAMAGE TO THE GENERATOR OR DRIVEN APPARATUS DUE TO LOW VOLTAGE OUTPUT.

BATTERY SAFETY

⚠ WARNING STORAGE BATTERIES PRODUCE AND RELEASE EXPLOSIVE HYDROGEN GAS WHEN CHARGING. THE SLIGHTEST SPARK, FLAME OR BURNING ASH CAN IGNITE THESE GASES CAUSING A SERIOUS EXPLOSION THAT COULD RESULT IN BLINDNESS OR OTHER SERIOUS INJURIES. WEAR EYE PROTECTION, RUBBER APRON AND RUBBER GLOVES WHEN WORKING AROUND A BATTERY OR PERFORMING BATTERY SERVICE. BATTERY FLUID IS AN EXTREMELY CAUSTIC SULFURIC ACID, WHICH CAN CAUSE SEVERE BURNS. ALWAYS DISCONNECT THE NEGATIVE (-) BATTERY CABLE FROM THE BATTERY BEFORE PERFORMING BATTERY SERVICE OR BEFORE PERFORMING ANY ELECTRICAL SERVICE ON THE GENERATOR OR ENGINE.

ENVIRONMENTAL PROTECTION

⚠ CAUTION INSPECT THE EXHAUST SYSTEM REGULARLY TO ENSURE IT IS FUNCTIONING PROPERLY. LEAKY EXHAUST SYSTEMS WILL INCREASE NOISE LEVELS.

⚠ CAUTION DIRECT THE "LOUD" SIDES OF THE GENERATOR INTO OPEN SPACES AVOIDING REVERBERATION FROM WALLS OR BUILDINGS THUS AMPLIFYING THE SOUND.

NOTICE: NEVER DRAIN OR DISPOSE OF ENGINE OIL INTO THE GROUND OR DOMESTIC WASTE WATER SYSTEMS.

RAISING OR SUSPENDING GENERATOR

⚠ WARNING Always use cables, chains or straps rated at 2000 lbs. working load or more to raise or suspend generator.

⚠ WARNING Never operate generator while suspended. This could cause property damage, serious injury or death.

⚠ WARNING Make sure all fasteners in frame and lifting hook are tight.

NOTICE: Make sure the generator is in a level position before raising or suspending to prevent damage.

Accessories

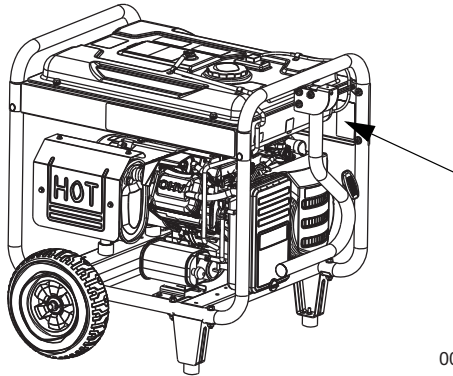
Recommended accessories for use with your tool are available for purchase from your local dealer or authorized service center. If you need assistance in locating any accessory for your tool, please contact DEWALT Industrial Tool Co., 701 East Joppa Road, Baltimore, MD 21286, call 1-888-431-6871 or visit our website www.dewalt.com.

- 006948 - Lifting Eye Kit

Service Information

Please have the following information as shown listed on the data label available for all service calls:

Model No.	
Serial No.	
Date of Purchase	
Place of Purchase	



000756

Repairs

To assure product SAFETY and RELIABILITY, repairs, maintenance and adjustment should be performed by a DEWALT factory service center, a DEWALT authorized service center or other qualified service personnel. Always use identical replacement parts.

Free Warning Label Replacement

If your warning labels become illegible or are missing, call 1-888-431-6871 for a free replacement.

⚠ DANGER
<p>Using a generator indoors CAN KILL YOU IN MINUTES. Generator exhaust contains carbon monoxide. This is a poison you cannot see or smell.</p>
<div style="display: flex; justify-content: space-around;"> <div style="text-align: center;"> <p>NEVER use inside a home or garage, EVEN IF doors and windows are open.</p> </div> <div style="text-align: center;"> <p>Only use OUTSIDE and far away from windows, doors, and vents.</p> </div> </div>
⚠ DANGER
<p>Utiliser un générateur à l'intérieur PEUT VOUS TUER EN QUELQUES MINUTES. Les gaz d'échappement du générateur contiennent du monoxyde de carbone. C'est un gaz toxique invisible et inodore.</p> <ul style="list-style-type: none"> • NE JAMAIS utiliser à l'intérieur d'une maison ou d'un garage, MÊME SI les portes et les fenêtres sont ouvertes. • Utiliser UNIQUEMENT à l'EXTÉRIEUR et loin des fenêtres, portes et ventilations.
⚠ PELIGRO
<p>Si usa un generador en interiores, MORIRÁ EN POCOS MINUTOS. El escape del generador contiene monóxido de carbono. Es un veneno que no tiene olor ni se puede ver.</p> <ul style="list-style-type: none"> • NUNCA lo use dentro de una casa o garaje, AUN si las puertas y ventanas están abiertas. • Sólo úselo EN EXTERIORES y lejos de ventanas, puertas y ductos de ventilación.

CAUTION / WARNING	<p>Read Service Literature. Improper Operation of this equipment could result in property damage, serious injury or death. Total power drawn from all receptacles must not exceed the nameplate ratings.</p> <p>Breathing Hazard. Engine exhaust fumes can cause serious injury or death. Always operate generator outside and far away from windows, doors, & vents.</p> <p>Risk of Fire or Explosion. Always turn off and cool engine before adding fuel. Hot engine parts, sparks, or lit cigarettes can ignite gasoline. Store fuel away from generator.</p> <p>Hot Surfaces. Contact with hot generator and engine parts could cause serious injury. Allow adequate cool down time before servicing.</p> <p>Risk of Electrocution, property damage. Connecting generator to a structure's electrical system should be done by a qualified electrician to prevent backfeed. Do not operate generator in wet conditions.</p> <p>Operational Warning. Never adjust throttle setting. Generator service and repair should only be performed by a qualified technician.</p>	PRECAUCION / ALERTA	<p>Leer el manual de asistencia. El uso incorrecto puede provocar averías, lesiones graves o muerte. La total carga diseñada de todas las tomas no doit pas dépasser les limites indiquées de plaque.</p> <p>Peligro de inhalación. Los gases de escape del motor pueden provocar lesiones graves e incluso muerte. Utilícelo únicamente A L'EXTERIEUR et loin des fenêtres, des portes et des conduits de ventilation.</p> <p>Peligro de fuego o explosión. Desconectar y dejar enfriar el motor antes de introducir el combustible. Las piezas calientes del motor, chispas o cigarrillos encendidos pueden inflamar la gasolina. Almacene el combustible lejos del generador.</p> <p>Superficies calientes. El contacto con las piezas del motor y el generador calientes puede causar lesiones graves. Permitir el tiempo de refrigeración suficiente antes de la manipulación.</p> <p>Peligro de electrocución y avería. La conexión del generador a una instalación eléctrica debe realizarla un electricista cualificado para prevenir la retro-alimentación. No manipular el generador en condiciones de humedad.</p> <p>Precauciones de uso. No manipular el regulador de vueltas. La manutención y reparación deberá ser hecha a cabo un técnico cualificado.</p>	ATTENTION / AVERTIR	<p>Lire attentivement la notice d'utilisation. Une mauvaise utilisation de ce matériel peut provoquer de sérieux dommages corporels et entraîner la mort. El carga total (puissance) de toutes les receptacles ne doit pas dépasser les valeurs nominales de la plaque de identification.</p> <p>Risques d'inhalation. L'inhalation des gaz d'échappement des moteurs peut provoquer de graves dommages voire entraîner la mort. Use le générateur seulement en l'EXTÉRIEUR et ajeada de las ventanas, las puertas y los respiraderos.</p> <p>Risque de feu ou d'explosion. Avant de mettre du fuel dans le moteur, l'arrêt et le fans refroidir impérativement avant toute intervention. Toute source de chaleur peut enflammer le combustible. Stocker le fuel dans un endroit isolé, à l'écart des groupes.</p> <p>Risque de brûlures. Tout contact avec le générateur ou le moteur peut provoquer de graves brûlures. Laissez refroidir avant la mise en service.</p> <p>Risque d'électrocution. Tout branchement du groupe à un système électrique doit être effectué par un électricien. Ne pas faire fonctionner dans un milieu humide.</p> <p>Attention ! Ne pas modifier le réglage de l'accélérateur. La mise en service et le service après-vente ne doivent être effectués que par un technicien spécialisé.</p>
--------------------------	---------------------------------------------------------------------------------------------------------------------------------------------------------------------------------------------------------------------------------------------------------------------------------------------------------------------------------------------------------------------------------------------------------------------------------------------------------------------------------------------------------------------------------------------------------------------------------------------------------------------------------------------------------------------------------------------------------------------------------------------------------------------------------------------------------------------------------------------------------------------------------------------------------------------------------------------------------------------------------------------------------------------------------------------------------------------------------------------------------------------------	----------------------------	-----------------------------------------------------------------------------------------------------------------------------------------------------------------------------------------------------------------------------------------------------------------------------------------------------------------------------------------------------------------------------------------------------------------------------------------------------------------------------------------------------------------------------------------------------------------------------------------------------------------------------------------------------------------------------------------------------------------------------------------------------------------------------------------------------------------------------------------------------------------------------------------------------------------------------------------------------------------------------------------------------------------------------------------------------------------------------------------------------------------------------------------------------------------------------------------------------------------------------------------------------------------------------------------------------------------------	----------------------------	-------------------------------------------------------------------------------------------------------------------------------------------------------------------------------------------------------------------------------------------------------------------------------------------------------------------------------------------------------------------------------------------------------------------------------------------------------------------------------------------------------------------------------------------------------------------------------------------------------------------------------------------------------------------------------------------------------------------------------------------------------------------------------------------------------------------------------------------------------------------------------------------------------------------------------------------------------------------------------------------------------------------------------------------------------------------------------------------------------------------------------------------------------------------------------------------------------------------------------------------------------------------------------------------------------------------------------------------------------------------------------

Assembly

Unpacking

- Remove all packaging material.
- Remove separate accessory kit box.
- Remove generator from carton.

Accessories

Check contents against the list in Table -1. If any parts are missing or damaged, or if any problems occur during assembly, call the Generator Helpline at 1-888-431-6871.

Table -1. Contents

Item	Qty.
Generator	1
Owner's Manual	1
Product Registration Card (English, Spanish, and French)	3
Service and Emissions Warranty	1
Liter SAE 30 Oil	1
Battery Charger (electric start models)	1
Wheel (A)	2
Frame Foot (B)	2
Handle Assembly (C)	1
Axle (D)	1
Hardware Bag	
Rubber Foot (E)	2
Hair Pin (F)	2
1/2" Flat Washer (G)	2
M8 Carriage Bolt (H)	2
M8 Bolt (long) (J)	4
M8 Hex Flange Nut (K)	8
Axle Bracket (L)	2
M6 bolt (M)	4

Install Accessory Kits

The generator requires some minor assembly before use.

Tools Required

Obtain the following tools:

- Two 8mm, 10mm, 12mm and 13mm box wrenches

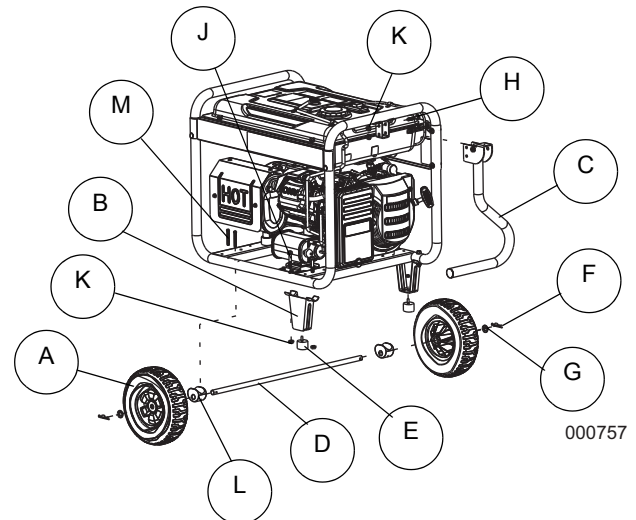
Install Wheel Kit (If Equipped)

The wheels are specially designed to enhance portability.

NOTICE:

The wheels are not intended for over-the-road use.

1. Slide M6 bolt (M) through holes in frame rail. Install into axle bracket (L).
2. Slide axle (D) through axle bracket (L), wheel (A), and into 1/2" flat washer (G). Insert hair pin (F) through axle (D).



Install frame foot and rubber bumpers.

1. Slide rubber foot (E) through frame foot (B). Install locking flange nuts (K).
2. Slide M8 bolt (J) through holes in frame rail. Slide frame foot (B) onto M8 bolts. Install locking flange nuts (K).

Install Handle

1. Slide M8 carriage bolt (H) through handle bracket and handle assembly (C) by first inserting the bolt through the square hole in the handle assembly (C).
2. Install M8 flange nut (K).

Battery Replacement/Connection

NOTICE:

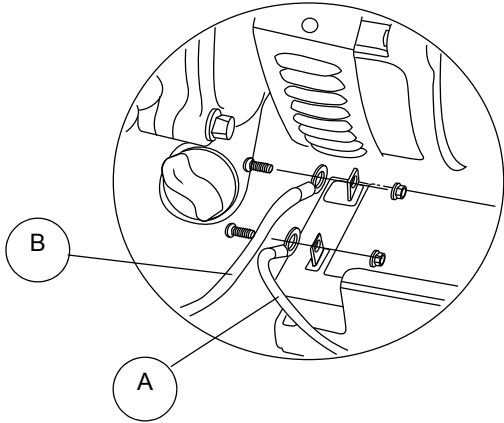
The battery shipped with the generator has been fully charged. A battery may lose some charge when not in use for prolonged periods of time. If battery is unable to crank engine, plug in the 12V charger included in the accessory box (see [Charging the Battery \(electric start units only\)](#))

IMPORTANT: Running the generator does not charge battery.

WARNING

Accidental Start-up. Disconnect the negative battery cable, then the positive battery cable when working on unit. Failure to do so could result in death or serious injury.

1. Disconnect negative (-) battery terminal FIRST (A).
2. Disconnect positive (+) battery terminal SECOND (B).



000224

3. Install new battery. Install hold down bracket and tighten.
4. Connect positive (+) battery terminal (B) FIRST (B). Slide rubber boot over connection hardware.
5. Connect negative (-) battery terminal (A) SECOND.
6. Slide rubber boot over connection hardware.

Emissions Information

The Environmental Protection Agency and California Air Resource Board for generators certified to CA standards requires that this generator comply with exhaust and evaporative emission standards. Locate the emissions compliance decal on the engine to determine what standards the generator meets, and to determine which warranty applies. This generator is certified to operate on gasoline. The emission control system includes the following components (if equipped):

- Air Induction System
 - Intake Pipe / Manifold
 - Air Cleaner
- Fuel System
 - Carburetor
 - Fuel Tank / Cap
 - Fuel Lines
 - Evaporative Vent Lines
 - Carbon Canister
- Ignition System
 - Spark Plug
 - Ignition Module
- Exhaust System
 - Exhaust Manifold
 - Muffler
 - Pulsed Air Valve
 - Catalyst

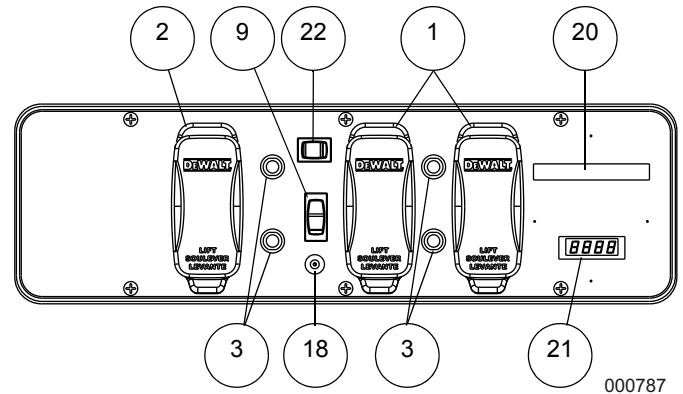
Operation

Know the Generator

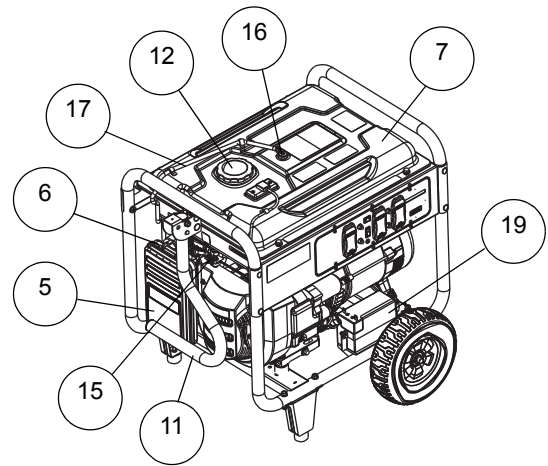
Carefully read the Owner's Manual and Safety Rules before operating the generator. Save this manual for future reference.

Become thoroughly familiar with the locations of all components.

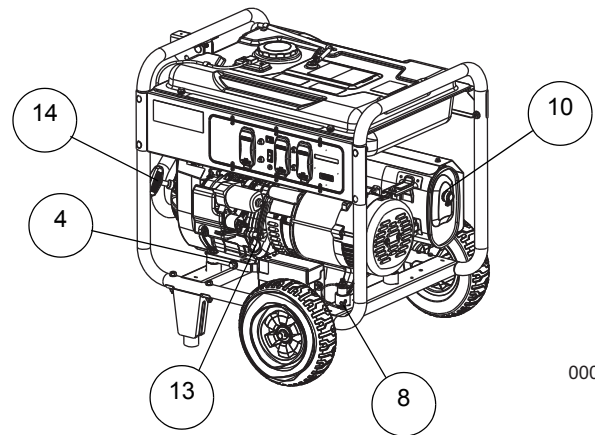
1. **120 Volt AC, 20 Amp GFCI Duplex Outlets** – Supplies electrical power for the operation of 120 Volt AC, 20 Amp, single-phase, 60 Hz, electrical lighting, appliance, tool and motor loads. It also provides protection with an integral Ground Fault Circuit Interrupter, complete with a press to TEST and RESET button (NEMA 5-20R).
 2. **120/240 Volt AC, 30 Amp Locking Receptacle** – Supplies electrical power for the operation of 120 and/or 240 Volt AC, 30 Amp, single-phase, 60 Hz, electrical lighting, appliance, tool and motor loads (NEMA L14-30R).
 3. **Circuit Breakers (AC)** – Each receptacle is provided with a push-to-reset circuit breaker to protect the generator against electrical overload.
 4. **Oil Drain** – Use to drain engine oil.
 5. **Air Filter** – Filters intake air as it is drawn into the engine.
 6. **Choke Lever** – Used when starting a cold engine.
 7. **Fuel Tank** – See generator Specifications for tank capacity.
 8. **Grounding Lug** – Ground the generator to an approved earth ground here. See [Grounding Generator If Used as Portable](#) for details.
 9. **Start/Run/Stop Switch** – Used to start engine from the starter motor (electric start models only). Must be in Run position to start manually.
 10. **Muffler** – Quiets the engine.
 11. **Handle** – Pivot and retract for storage. Press the spring-loaded button to move handle.
 12. **Gas Cap** – Fuel fill location.
 13. **Oil Fill** – Add and check oil here.
 14. **Recoil Starter** – Use to start engine manually.
 15. **Fuel Shut Off** – Valve between fuel tank and carburetor.
 16. **Roll Over Valve** – Passes fuel vapors to the engine airbox.
 17. **Recovery Hose** – Install between the carbon canister and the roll over valve (if equipped).
 18. **Battery Charger Input** – This receptacle allows the capability to recharge the 12 volt DC storage battery provided with the 12 Volt Adaptor Plug Charger which is included in the Accessory Box. Located behind the battery charger input is a 1.50 Amp in-line fuse which is inside the control panel to protect the battery (electric start models only).
 19. **Battery** – Powers the electric starter (electric start models only).
 20. **Wattage Meter** – Indicates the amount of power being used from the generator.
 21. **Runtime Meter** – Displays the total unit run hours for a short duration before providing available run time given the load currently applied, and remaining fuel volume.
- NOTICE:** Operate unit on level ground for runtime meter accuracy.
22. **Idle Control Switch** – Operates the engine at normal (high) rpm when there is an electrical load present and automatically reduces the engine to a lower rpm when a load is not present. The system can also be turned off to operate the engine at a higher rpm at all times.



000787



000786



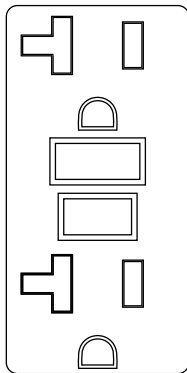
000788

Connection Plugs

120 VAC, 20 Amp, GFCI Duplex Receptacle

This is a 120 Volt outlet protected against overload by a 20 Amp push-to-reset circuit breaker. Use each socket to power 120 Volt AC, single phase, 60 Hz electrical loads requiring up to a combined 2400 watts (2.4 kW) or 20 Amps of current. Use only high quality, well-insulated, 3-wire grounded cord sets rated for 125 Volts at 20 Amps (or greater).

Keep extension cords as short as possible to prevent voltage drop and possible overheating of wires.

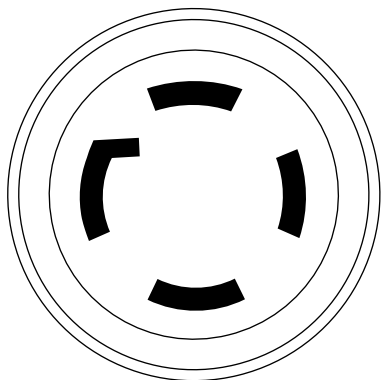


000203

120/240 VAC, 30 Amp Receptacle

Use a NEMA L14-30 plug with this receptacle (rotate to lock/unlock). Connect a suitable 4-wire grounded cord set to the plug and to the desired load. The cord set should be rated for 250 Volts AC at 30 Amps (or greater).

Use this receptacle to operate 120 Volt AC, 60 Hz, single phase loads requiring up to 3600 watts (3.6 kW) of power at 30 Amps or 240 Volt AC, 60 Hz, single phase loads requiring up to 7200 watts (7.2 kW) of power at 30 Amps. The outlet is protected by two 25 Amp (5.5kW) or two 30 Amp (6.5kW) push-to-reset or one 30 Amp 2-pole toggle switch or two 30 Amp push button to reset (6.5/7.5kW) circuit breaker.



000204

How to Use the Generator

If there are any problems operating the generator, call the generator helpline at 1-888-431-6871.

⚠ DANGER Never operate in an enclosed area or indoors! NEVER use in the home, in a vehicle, or in partly enclosed areas such as garages, EVEN IF doors and windows are open! ONLY use outdoors and far from open windows, doors, vents, and in an area that will not accumulate deadly exhaust.

⚠ DANGER The engine exhaust fumes contain carbon monoxide, which cannot be seen or smelled. The gas is poisonous, and if breathed in sufficient concentrations, can cause unconsciousness or even death.

⚠ DANGER Adequate, unobstructed flow of cooling and ventilating air is critical to generator operation. Do not alter the installation or permit even partial blockage of ventilation provisions, as this can seriously affect safe operation of the generator. The generator MUST be operated outdoors.

⚠ DANGER The exhaust system must be properly maintained. Do nothing that might render the exhaust system unsafe or in noncompliance with any local codes and/or standards.

⚠ DANGER Always use a battery operated carbon monoxide alarm indoors. Be sure it is properly installed according to the manufacturers instructions.

⚠ DANGER	
Using a generator indoors CAN KILL YOU IN MINUTES.	
Generator exhaust contains carbon monoxide. This is a poison you cannot see or smell.	
<p>NEVER use inside a home or garage, EVEN IF doors and windows are open.</p>	<p>Only use OUTSIDE and far away from windows, doors, and vents.</p>

000657

Grounding Generator If Used as Portable

An equipment ground connects the generator frame components to ground terminals on the AC output receptacles. This allows the generator to be used as a portable without grounding the frame as specified in NEC 250.34. Neutral bonded to frame.

Special Requirements

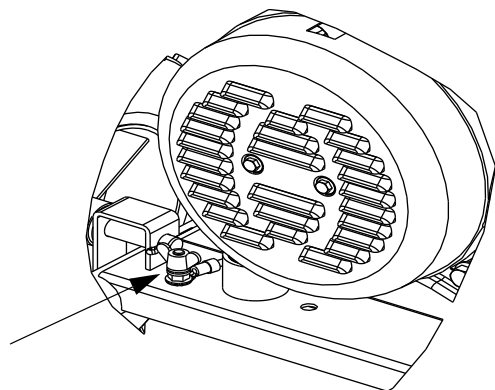
There may be Federal or State Occupational Safety and Health Administration (OSHA) regulations, local codes, or ordinances that apply to the intended use of the generator.

Consult a qualified electrician, electrical inspector, or the local agency having jurisdiction:

- In some areas, generators are required to be registered with local utility companies.
- If the generator is used at a construction site, there may be additional regulations which must be observed.

Connecting to Building Electrical System

Use a manual transfer switch when connecting directly to a building electrical system. Installation and connections must be performed by a qualified electrician and in strict compliance with all national and local electrical codes and laws.



000227

Know Generator Limits

Overloading a generator in excess of its rated wattage capacity can result in damage to the generator and to connected electrical devices. Observe the following rules to avoid overloading:

- Add up the total wattage of all electrical devices to be connected at one time. The total should NOT be greater than the wattage capacity of the generator.
- The rated wattage of lights can be taken from light bulbs. The rated wattage of tools, appliances and motors can usually be found on a data label or decal affixed to the device.
- If the appliance, tool or motor does not give wattage, multiply volts times ampere rating to determine watts (volts x amps = watts).
- Some electric motors, such as induction types, require about three times more watts of power for starting than for running. This power surge lasts only a few seconds. To allow for high starting wattage when selecting electrical devices to connect to the generator, proceed as follows:
 1. Figure the watts needed to start the largest motor.
 2. Add to that figure the running watts of all other connected loads.
 3. See Subsection Wattage Reference Guide for help in determining how many items the generator can operate at one time.

NOTICE: All figures are approximate. See data label on appliance for actual wattage requirements.

Wattage Reference Guide

Device	Running Watts
*Air Conditioner (12,000 Btu).....	1700
*Air Conditioner (24,000 Btu).....	3800
*Air Conditioner (40,000 Btu).....	6000
Battery Charger (20 Amp).....	500
Belt Sander (3").....	1000
Chain Saw.....	1200
Circular Saw (6-1/2").....	800 to 1000
*Clothes Dryer (Electric).....	5750
*Clothes Dryer (Gas).....	700
*Clothes Washer.....	1150
Coffee Maker.....	1750
*Compressor (1 HP).....	2000
*Compressor (3/4 HP).....	1800
*Compressor (1/2 HP).....	1400
Curling Iron.....	700
*Dehumidifier.....	650
Disc Sander (9").....	1200
Edge Trimmer.....	500
Electric Blanket.....	400
Electric Nail Gun.....	1200
Electric Range (per element).....	1500
Electric Skillet.....	1250
*Freezer.....	700
*Furnace Fan (3/5 HP).....	875
*Garage Door Opener.....	500 to 750
Hair Dryer.....	1200
Hand Drill.....	250 to 1100
Hedge Trimmer.....	450
Impact Wrench.....	500
Iron.....	1200
*Jet Pump.....	800
Lawn Mower.....	1200
Light Bulb.....	100
Microwave Oven.....	700 to 1000
*Milk Cooler.....	1100
Oil Burner on Furnace.....	300
Oil Fired Space Heater (140,000 Btu).....	400
Oil Fired Space Heater (85,000 Btu).....	225
Oil Fired Space Heater (30,000 Btu).....	150
*Paint Sprayer, Airless (1/3 HP).....	600
Paint Sprayer, Airless (handheld).....	150
Radio.....	50 to 200
*Refrigerator.....	700
Slow Cooker.....	200
*Submersible Pump (1-1/2 HP).....	2800
*Submersible Pump (1 HP).....	2000
*Submersible Pump (1/2 HP).....	1500
*Sump Pump.....	800 to 1050
*Table Saw (10").....	1750 to 2000
Television.....	200 to 500
Toaster.....	1000 to 1650
Weed Trimmer.....	500

* Allow 3 times the listed watts for starting these devices.

Before Starting Generator

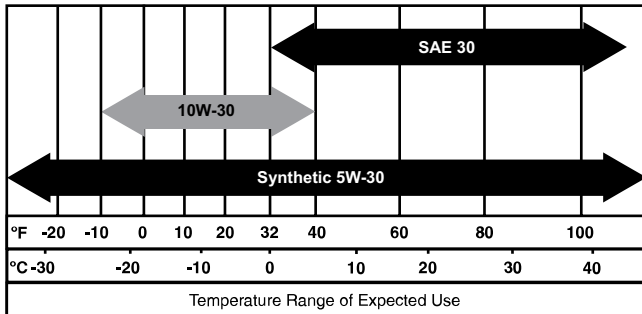
Add engine oil and gasoline to the generator before operation. Proceed as follows:

Add Engine Oil

All oil should meet minimum American Petroleum Institute (API) Service Class SJ, SL or better. Use no special additives. Select the oil's viscosity grade according to the expected operating temperature (also see chart).

- Above 40° F, use SAE 30
- Below 40° F and down to 10° F, use 10W-30
- All temperatures, use synthetic 5W-30

Use petroleum based oil for engine break-in before using synthetic oil.

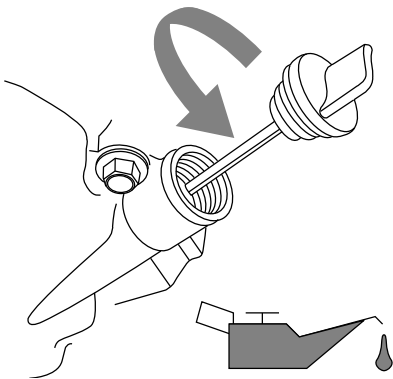


000399

CAUTION Any attempt to crank or start the engine before adding the recommended type and quantity of engine oil can result in engine damage.

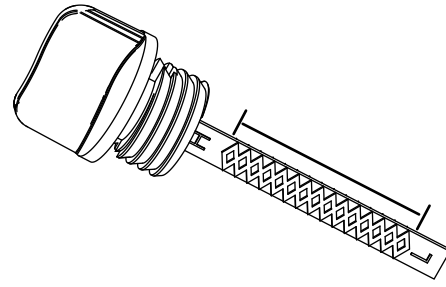
Inspect engine oil level prior to each use, or every 8 hours of operation.

1. Place generator on a level surface.
2. Clean area around oil fill.
3. Remove oil fill cap and wipe dipstick clean.



000115

4. Screw dipstick into filler neck. Verify oil level is within safe operating range as shown.



000116

5. Add recommended engine oil as necessary.
6. Replace oil fill cap and hand-tighten.

NOTICE: Some units have more than one oil fill location. It is only necessary to use one oil fill point.

Fuel

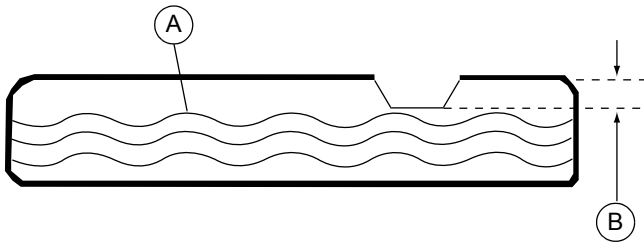
DANGER Never fill fuel tank indoors. Never fill fuel tank when engine is running or hot. Do not spill gasoline on a hot engine. Allow engine to cool before filling fuel tank.

DANGER Do not overfill fuel tank. Always leave room for fuel expansion. If fuel tank is overfilled, fuel can overflow onto a hot engine causing FIRE or EXPLOSION. Wipe up any spilled fuel immediately.

DANGER Gasoline is highly FLAMMABLE and its vapors are EXPLOSIVE. Never permit smoking, open flames, sparks or heat in the vicinity while handling gasoline.

Fuel requirements are as follows:

- Clean, fresh, unleaded gasoline.
 - Minimum rating of 87 octane/87 AKI (91 RON).
 - Up to 10% ethanol (gasohol) is acceptable (where available; non-ethanol premium fuel is recommended).
 - DO NOT use E85.
 - DO NOT use a gas oil mix.
 - DO NOT modify engine to run on alternate fuels. Stabilize fuel prior to storage.
1. Verify unit is OFF and cooled for a minimum of two minutes prior to fueling.
 2. Place unit on level ground in a well ventilated area.
 3. Clean area around fuel cap and remove cap slowly.
 4. Slowly add recommended fuel (A). Do not fill above lip (B).
 5. Install fuel cap.



000400

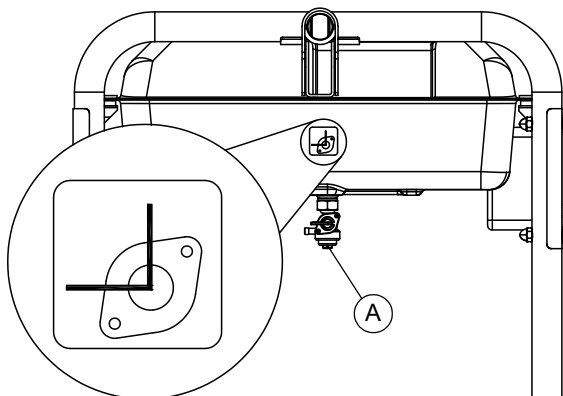
NOTICE: Allow spilled fuel to evaporate before starting unit.

IMPORTANT: It is important to prevent gum deposits from forming in fuel system parts such as the carburetor, fuel hose or tank during storage. Alcohol-blended fuels (called gasohol, ethanol or methanol) can attract moisture, which leads to separation and formation of acids during storage. Acidic gas can damage the fuel system of an engine while in storage. To avoid engine problems, the fuel system should be emptied before storage of 30 days or longer. See the **Storage** section. Never use engine or carburetor cleaner products in the fuel tank as permanent damage may occur.

Starting Pull Start Engines

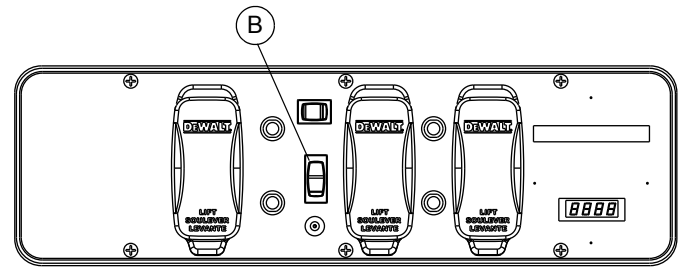
CAUTION Equipment and property damage. Disconnect electrical loads prior to starting or stopping unit. Failure to do so could result in equipment and property damage.

1. Unplug all electrical loads from the unit's receptacles before starting engine.
2. Place generator on a level surface.
3. Open the fuel shut-off valve (A).



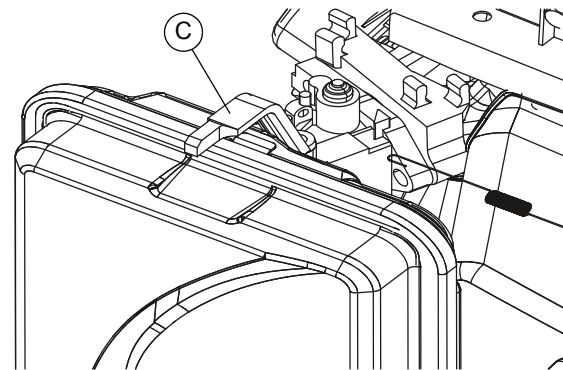
000208

4. Turn engine Run/Stop switch (B) to Run (manual start only).



000787

5. Slide engine choke (C) to Full Choke position (left).



000209

6. Firmly grasp recoil handle and pull slowly until increased resistance is felt. Pull rapidly up and away.
7. When engine starts, move choke knob to 1/2-choke position until engine runs smoothly, then fully into Run position. If engine falters, move choke back to 1/2-choke position until engine runs smoothly, then to Run position.
8. If engine fires, but does not continue to run, move choke lever to Full Choke and repeat starting instructions.

IMPORTANT: Do not overload the generator. Also, do not overload individual panel receptacles. These outlets are protected against overload with push-to-reset type circuit breakers. If amperage rating of any circuit breaker is exceeded, that breaker opens and electrical output to that receptacle is lost. Read "Don't Overload the Generator" carefully.

Starting Electric Start Engines

CAUTION Equipment and property damage. Disconnect electrical loads prior to starting or stopping unit. Failure to do so could result in equipment and property damage.

1. Unplug all electrical loads from the unit's receptacles before starting the engine.
2. Place generator on a level surface.
3. Open the fuel shut-off valve.
4. Move engine choke knob outward to Full Choke.
5. Press and hold Start/Run/Stop switch in the Start position. When engine starts, release the switch to the Run position.
6. When engine starts, move choke knob to 1/2 choke position until engine runs smoothly, then fully to RUN position. If engine falters, move choke knob back to 1/2 choke position until engine runs smoothly, then move to Run position.

Manual Start

The generator is equipped with a manual recoil starter which may be used if the battery is discharged.

NOTICE: The switch must be in the Run position. Use one of the generator's receptacle outlets along with the included battery charger to charge the battery while the generator is running.

To start manually:

1. Firmly grasp the recoil handle and pull slowly until increased resistance is felt.
2. Pull rapidly up and away to start engine.
3. Follow the same choke sequence.

NOTICE: If engine fires, but does not continue to run, move choke lever to Full Choke and repeat starting instructions.

IMPORTANT: Do not overload generator or individual panel receptacles. These outlets are overload protected with push-to-reset circuit breakers. If amperage rating of any circuit breaker is exceeded, that breaker opens and electrical output to that receptacle is lost. Read [Know Generator Limits](#) carefully.

Generator Shut Down

CAUTION Equipment and property damage. Disconnect electrical loads prior to starting or stopping unit. Failure to do so could result in equipment and property damage.

1. Shut off all loads and unplug electrical loads from generator panel receptacles.
2. Let engine run at no-load for several minutes to stabilize internal temperatures of engine and generator.
3. Move Run/Stop switch to Stop.
4. Close fuel valve.

NOTICE: Under normal conditions, close fuel valve and allow generator to run carburetor bowl out of fuel. For emergencies, switch to Stop.

Low Oil Level Shutdown System

The engine is equipped with a low oil level sensor that shuts down the engine automatically when the oil level drops below a specified level. The engine will not run until the oil has been filled to the proper level.

If the engine shuts down and there is sufficient fuel, check engine oil level.

Charging the Battery (electric start units only)

WARNING Explosion. Batteries emit explosive gases while charging. Keep fire and spark away. Wear protective gear when working with batteries. Failure to do so could cause death or serious injury.

WARNING Risk of burns. Batteries contain sulfuric acid and can cause severe chemical burns. Wear protective gear when working with batteries. Failure to do so could cause death or serious injury.

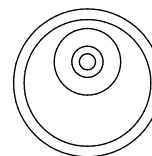
NOTICE: The battery shipped with the generator has been fully charged. A battery may lose some of its charge when not in use for prolonged periods of time. If the battery is unable to crank the engine, plug in the 12V charger included in the accessory box. **RUNNING THE GENERATOR DOES NOT CHARGE THE BATTERY.**

Use battery charger plug to keep the battery charged and ready for use. Battery charging should be done in a dry location.

1. Plug charger into Battery Charger Input jack, located on the control panel. Plug wall receptacle end of battery charger into 120 Volt AC wall outlet.
2. Unplug battery charger from wall outlet and control panel jack when generator is to be in use.

NOTICE: Do not use the battery charger for more than 48 hours at one charge.

BATTERY



CHARGER INPUT

000423

Maintenance

Maintenance Recommendations

Regular maintenance will improve performance and extend generator life. See a qualified dealer for service.

Generator warranty does not cover items subjected to operator abuse or negligence. To receive full warranty value, operator must maintain generator as instructed in this manual, including proper storage as detailed in Winter Storage and Long Term Storage.

NOTICE: Call 1-888-431-6871 with questions about component replacement.

Maintenance Schedule

Follow maintenance schedule intervals, whichever occurs first according to use.

NOTICE: Adverse conditions will require more frequent service.

NOTICE: All required service and adjustments should be each season as detailed in the following chart.

Maintenance Task	As Needed	At Each Use	Every Season	Every 100 Hours	Every 200 Hours or Yearly
Clean Exterior Surfaces	X				
Check Engine Oil Level		X			
Change Engine Oil *			X	X	
Clean/Replace Air Filter **			X		X
Replace Spark Plug			X		
Check/Adjust Valve Clearance ***			X		

* Change engine oil after **first 30 hours** of operation. Change every month when operating under heavy load or in high temperatures.

** Clean air filter more often under dirty or dusty conditions. Replace parts if they cannot be adequately cleaned.

*** Check valve clearance after **first 50 hours** of operation and adjust if necessary.

Product Specifications

Generator Specifications	
Rated Power	7.0 kW**
Surge Power	8.75 kW
Rated AC Voltage	120/240
Rated AC Load Current @ 240V	29.2 Amps**
Rated AC Load Current @ 120V	58.3 Amps**
Rated Frequency	60 Hz @3600 RPM
Phase	Single Phase
Unit Weight	90.7 kg (200 lb.)
Unit Dimensions	L = 692mm (27.25") x W = 696mm (27.4") x H = 724mm (28.5")

** Operating Temperature Range: -18 deg. C (0 deg. F) to 40 Deg. C (104 Deg. F). When operated above 25 deg. C (77 deg. F) there may be a decrease in power.

** Maximum wattage and current are subject to, and limited by, such factors as fuel Btu content, ambient temperature, altitude, engine condition, etc. Maximum power decreases about 3.5% for each 1,000 feet above sea level; and will also decrease about 1% for each 6° C (10° F) above 16° C (60° F) ambient temperature.

Engine Specifications

Displacement	420cc
Spark Plug Part Number	0J00620106
Spark Plug Type	NHSP LDF7TC
Spark Plug Gap	0.028-0.031 inch or (0.70-0.80 mm)
Gasoline Capacity	28.4 L (7.5 U.S. gallons)
Oil Type	See Chart in Before Starting Generator
Oil Capacity	1.0 Liters (1.06 qt.)
Run Time (50% Load)	10.5 Hours
Battery	12 VDC, 10 Amp Hour

Preventive Maintenance

Dirt or debris can cause improper operation and equipment damage. Clean generator daily or before each use. Keep area around and behind muffler free from combustible debris. Inspect all cooling air openings on generator.

⚠ WARNING Do not insert any object through the air cooling slots. Generator can start at any time and could result in death, serious injury and unit damage.

- Use a damp cloth to wipe exterior surfaces clean.
- Use a soft bristle brush to loosen caked on dirt, oil, etc.
- Use a vacuum to pick up loose dirt and debris.
- Low pressure air (not to exceed 25 psi) may be used to blow away dirt. Inspect cooling air slots and openings on generator. These openings must be kept clean and unobstructed.

NOTICE: DO NOT use a garden hose to clean generator. Water can enter engine fuel system and cause problems. If water enters generator through cooling air slots, some water will be retained in voids and crevices of rotor and stator winding insulation. Water and dirt buildup on generator internal windings will decrease insulation resistance of windings.

Engine Maintenance

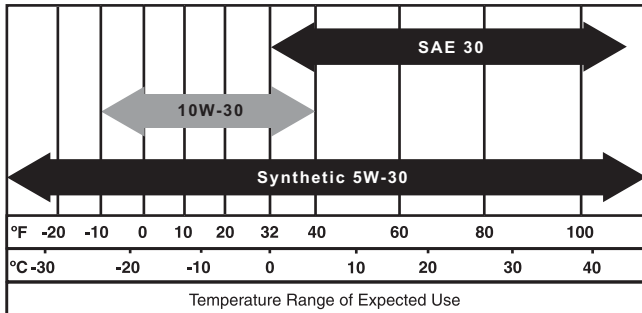
⚠ WARNING Accidental start-up. Disconnect spark plug wires when working on unit. Failure to do so could result in death or serious injury.

Engine Oil Recommendations

All oil should meet minimum American Petroleum Institute (API) Service Class SJ, SL or better. Use no special additives. Select the oil's viscosity grade according to the expected operating temperature (also see chart).

- Above 40° F, use SAE 30
- Below 40° F and down to 10° F, use 10W-30
- All temperatures, use synthetic 5W-30

Use petroleum based oil for engine break-in before using synthetic oil.

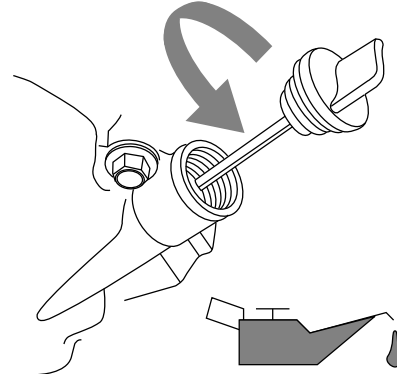


000399

⚠ CAUTION Any attempt to crank or start the engine before adding the recommended type and quantity of engine oil can result in engine damage.

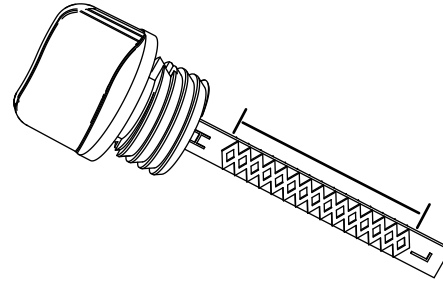
Inspect engine oil level prior to each use, or every 8 hours of operation.

1. Place generator on a level surface.
2. Clean area around oil fill.
3. Remove oil fill cap and wipe dipstick clean.



000115

4. Screw dipstick into filler neck. Verify oil level is within safe operating range as shown.



000116

5. Add recommended engine oil as necessary.
6. Replace oil fill cap and hand-tighten.

NOTICE: Some units have more than one oil fill location. It is only necessary to use one oil fill point.

Change Engine Oil

⚠ WARNING Accidental start-up. Disconnect spark plug wires when working on unit. Failure to do so could result in death or serious injury.

When using generator under extreme, dirty, dusty conditions, or in extremely hot weather, change oil more frequently.

NOTICE: Don't pollute. Conserve resources. Return used oil to collection centers.

Change oil while engine is still warm from running, as follows:

1. Place generator on a level surface.
2. Disconnect the spark plug wire from the spark plug and place the wire where it cannot contact spark plug.
3. Clean area around oil fill, and oil drain plug.
4. Remove oil fill cap.
5. Remove oil drain plug and drain oil completely into a suitable container.
6. Install oil drain plug and tighten securely.

7. Slowly pour oil into oil fill opening until oil level is between L and H marks on dipstick. DO NOT overfill.
8. Install oil fill cap, and finger tighten.
9. Wipe up any spilled oil.
10. Properly dispose of oil in accordance with all applicable regulations.

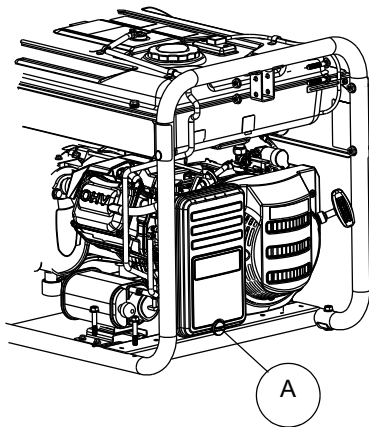
Air Filter

Engine will not run properly and may be damaged if run with a dirty air filter. Service air filter more frequently in dirty or dusty conditions.

To service air filter:

1. Turn knob (A) and remove air filter cover.
2. Wash in soapy water. Squeeze filter dry in clean cloth (DO NOT TWIST).
3. Clean air filter cover before re-installing it.

NOTICE: To order a new air filter, contact the nearest authorized service center at 1-888-431-6871.

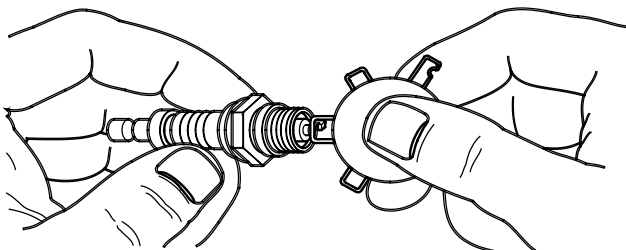


000809

Service Spark Plug

To service spark plug:

1. Clean area around spark plug.
2. Remove and inspect spark plug.
3. Inspect electrode gap with wire feeler gauge and reset spark plug gap to 0.028 - 0.031 in (0.70 - 0.80 mm).



000211

NOTICE: Replace spark plug if electrodes are pitted, burned or porcelain is cracked. Use ONLY recommended replacement plug. See Specifications.

4. Install spark plug finger tight, and tighten an additional 3/8 to 1/2 turn using spark plug wrench.

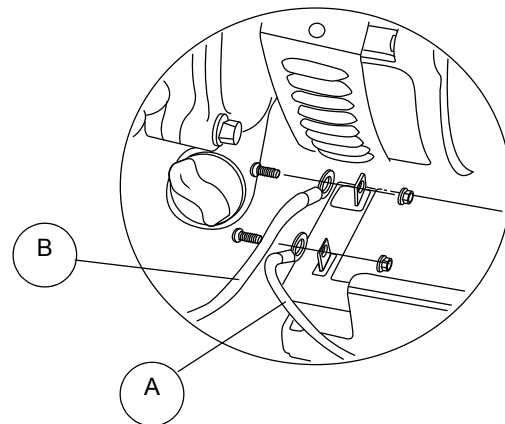
Battery Replacement/Connection

The battery shipped with the generator has been fully charged. A battery may lose some charge when not in use for prolonged periods of time. If battery is unable to crank engine, plug in the 12V charger included in the accessory box (see the Charging a Battery section).

IMPORTANT: RUNNING THE GENERATOR DOES NOT CHARGE BATTERY.

⚠ WARNING Accidental Start-up. Disconnect the negative battery cable, then the positive battery cable when working on unit. Failure to do so could result in death or serious injury.

1. Disconnect negative (-) battery terminal FIRST (A).
2. Disconnect positive (+) battery terminal SECOND (B).



000224

3. Install new battery. Install hold down bracket and tighten.
4. Connect positive (+) battery terminal (B) FIRST (B). Slide rubber boot over connection hardware.
5. Connect negative (-) battery terminal (A) SECOND.
6. Slide rubber boot over connection hardware.

Valve Clearance

IMPORTANT: If uncomfortable about doing this procedure, or the proper tools are not available, take generator to the nearest service center to have valve clearance adjusted.

Check valve clearance after the first fifty-hours of operation. Adjust as necessary.

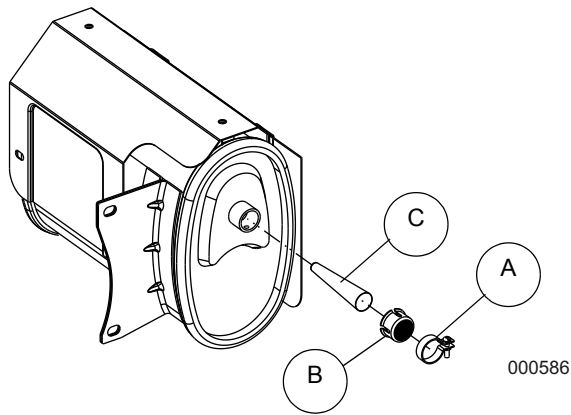
- Intake – 0.09 ± 0.02mm (cold), (0.004" ± 0.001" inches)
- Exhaust – 0.14 ± 0.02mm (cold), (0.006" ± 0.001" inches)

Inspect Spark Arrester Screen (CARB models)

⚠ WARNING Hot Surfaces. When operating machine, do not touch hot surfaces.

Keep machine away from combustibles during use. Hot surfaces could result in severe burns or fire.

1. Loosen clamp (A) and remove screw.
2. Inspect screen (B) and replace if torn, perforated or otherwise damaged. If screen is not damaged, clean with commercial solvent.
3. Replace spark arrester cone (C) and screen (B). Secure with clamp and screw.



Storage

General

It is recommended to start and run the generator for 30 minutes, every 30 days. If this is not possible, refer to the following list to prepare unit for storage.

- DO NOT place a storage cover on a hot generator. Allow unit to cool to room temperature before storage.
- DO NOT store fuel from one season to another unless properly treated.
- Replace fuel container if rust is present. Rust in fuel will cause fuel system problems.
- Cover unit with a suitable protective, moisture resistant cover.
- Store unit in a clean and dry area.
- Always store generator and fuel away from heat and ignition sources.

Prepare Fuel System/Engine for Storage

Fuel stored over 30 days can go bad and damage fuel system components. Keep fuel fresh, use fuel stabilizer.

If fuel stabilizer is added to fuel system, prepare and run engine for long term storage. Run engine for 10-15 minutes to circulate stabilizer throughout fuel system. Adequately prepared fuel can be stored up to 24 months.

NOTICE: If fuel has not been treated with fuel stabilizer, it must be drained into an approved container. Run engine until it stops from lack of fuel. Use of fuel stabilizer in fuel storage container is recommended to keep fuel fresh.

1. Change engine oil.
2. Remove spark plug.
3. Pour tablespoon (5-10cc) of clean engine oil or spray a suitable fogging agent into cylinder.

⚠ WARNING Vision Loss. Eye protection is required to avoid spray from spark plug hole when cranking engine. Failure to do so could result in vision loss.

4. Pull starter recoil several times to distribute oil in cylinder.
5. Install spark plug.
6. Pull recoil slowly until resistance is felt. This will close valves so moisture cannot enter engine cylinder. Gently release recoil.

Change Oil

Change engine oil before storage. See, subsection [Change Engine Oil](#).

Troubleshooting

PROBLEM	CAUSE	CORRECTION
Engine is running, but AC output is not available.	<ol style="list-style-type: none"> 1. Circuit breaker OPEN. 2. Poor connection or defective cord set. 3. Connected device is bad. 4. Fault in generator. 5. GFCI receptacle is OPEN (if equipped). 	<ol style="list-style-type: none"> 1. Reset circuit breaker. 2. Check and repair. 3. Connect another device that is in good condition. 4. Contact Independent Authorized Service Dealer. 5. Correct ground fault and press reset button on GFCI receptacle (if equipped).
Engine runs well at no-load, but bogs when load is applied.	<ol style="list-style-type: none"> 1. Short circuit in a connected load. 2. Generator is overloaded. 3. Engine speed is too slow. 4. Shorted generator circuit. 	<ol style="list-style-type: none"> 1. Disconnect shorted electrical load. 2. See Know Generator Limits. 3. Contact Independent Authorized Service Dealer. 4. Contact Independent Authorized Service Dealer.
Engine will not start; or starts and runs rough.	<ol style="list-style-type: none"> 1. Fuel shut-off is OFF. 2. Dirty air filter. 3. Out of fuel. 4. Stale fuel. 5. Spark plug wire not connected to spark plug. 6. Bad spark plug. 7. Water in fuel. 8. Overchoking. 9. Low oil level. 10. Excessive rich fuel mixture. 11. Intake valve stuck open or closed. 12. Engine lost compression. 	<ol style="list-style-type: none"> 1. Turn fuel shut-off ON. 2. Clean or replace air filter. 3. Fill fuel tank. 4. Drain fuel tank and fill with fresh fuel. 5. Connect wire to spark plug. 6. Replace spark plug. 7. Drain fuel tank; fill with fresh fuel. 8. Set choke to no choke position. 9. Fill crankcase to correct level. 10. Contact Independent Authorized Service Dealer. 11. Contact Independent Authorized Service Dealer. 12. Contact Independent Authorized Service Dealer.
Engine shuts down during operation.	<ol style="list-style-type: none"> 1. Out of fuel. 2. Low oil level. 3. Fault in engine. 	<ol style="list-style-type: none"> 1. Fill fuel tank. 2. Fill crankcase to correct level. 3. Contact Independent Authorized Service Dealer.
Engine lacks power.	<ol style="list-style-type: none"> 1. Load is too high. 2. Dirty air filter. 3. Engine needs to be serviced. 4. Choke is partially closed. 	<ol style="list-style-type: none"> 1. Reduce load (see Know Generator Limits). 2. Clean or replace air filter. 3. Contact Independent Authorized Service Dealer. 4. Set choke lever to no choke position.
Engine surges or stumbles.	<ol style="list-style-type: none"> 1. Choke is opened too soon. 2. Carburetor is running too rich or too lean. 	<ol style="list-style-type: none"> 1. Set choke to halfway position until engine runs smoothly. 2. Contact Independent Authorized Service Dealer.

This page intentionally left blank.

Part No. 0L3561 Rev. B 08/31/15 Printed in USA
Specifications are subject to change without notice.
No reproduction allowed in any form without prior written
consent from DeWalt.

DEWALT Industrial Tool Co.
701 East Joppa Road
Baltimore, MD 21286
1-888-431-6871
www.dewalt.com

Si tiene consultas o comentarios, comuníquese con

1-888-431-6871 • dewalt.com

MANUAL DE INSTRUCCIONES

DEWALT®

Generador DXGNR 7000



Para reducir el riesgo de lesiones, lea y siga estas instrucciones antes de operar el producto.

 **ADVERTENCIA**

Proposición 65 de California. El escape del motor y algunos de sus componentes son conocidos por el estado de California como causantes de cáncer, defectos congénitos y otros daños reproductivos. (000004)

 **ADVERTENCIA**

Proposición 65 de California. Este producto contiene o emite sustancias químicas que son conocidas por el estado de California como causantes de cáncer, defectos congénitos y otros daños reproductivos. (000005)

Seguridad	1
Directrices y definiciones de seguridad	1
Reglas de seguridad	1
Accesorios	3
Información de servicio	4
Reparaciones	4
Reemplazo de etiquetas de advertencia sin cargo	4
Armado	5
Desembalaje	5
Instalación de los kits de accesorios	5
Sustitución/conexión de la batería	6
Información sobre emisiones	6
Operación	7
Conozca el generador	7
Enchufes de conexión	8
Cómo usar el generador	8
Conozca los límites del generador	9
Guía de referencia de potencia en vatios	10
Antes de poner en marcha el generador	10
Arranque de motores con arranque con tirador	11
Arranque de motores con arranque eléctrico	12
Arranque manual	12
Parada del generador	13
Sistema de parada por nivel de aceite bajo	13
Carga de la batería (solo unidades con arranque eléctrico)	13
Mantenimiento	15
Recomendaciones de mantenimiento	15
Programa de mantenimiento	15
Especificaciones del producto	15
Mantenimiento preventivo	15
Mantenimiento del motor	16
Sustitución/conexión de la batería	17
Juego de válvulas	18
Inspeccione el tamiz del supresor de chispas (modelos CARB)	18
Almacenamiento	18
Resolución de problemas	19

Esta página ha sido dejada en blanco intencionalmente.

Directrices y definiciones de seguridad

⚠ ¡PELIGRO!

Usar un generador en interiores **LO PUEDE MATAR EN MINUTOS**.
Los gases de escape del generador contienen monóxido de carbono, este es un veneno que no se puede ver u oler.

	
-----------------------------------------------------------------------------------	-----------------------------------------------------------------------------------

NUNCA lo use dentro de una casa o garaje, AUN si la puerta y las ventanas se encuentran abiertas.

Use únicamente en **EXTERIORES**, y alejado de ventanas, puertas y ventilaciones.

000657

Este manual de instrucciones contiene información importante para que usted la conozca y comprenda, de manera que su generador pueda ser aplicado y operado correcta y efectivamente con seguridad. Todos los operadores, usuarios y propietarios subsiguientes de este generador deben leer y comprender todas las instrucciones antes de operar el generador. Guarde estas instrucciones para referencia en el futuro.

Para ayudarle a reconocer información importante para proteger SU SEGURIDAD y EVITAR PROBLEMAS DEL EQUIPO, usamos los símbolos de más abajo.

⚠ PELIGRO Indica una situación eminentemente peligrosa que, si no se evita, ocasionará la muerte o lesiones graves.

⚠ ADVERTENCIA Indica una situación potencialmente peligrosa que, si no se evita, podría ocasionar la muerte o lesiones graves.

⚠ PRECAUCIÓN Indica una situación potencialmente peligrosa que, si no se evita, podría ocasionar lesiones leves o moderadas.

AVISO: Indica una práctica no relacionada con lesiones corporales que, si no se evita, puede causar daños a la propiedad.

Reglas de seguridad

SILENCIADOR DEL SUPRESOR DE CHISPAS

Ciertos estados y jurisdicciones requieren que los equipos accionados por motor cuenten con silenciador del supresor de chispas. Según el modelo de generador, puede estar o no dotado de silenciador del supresor de chispas. Si en su localidad se requiere silenciador del supresor de chispas y el silenciador del generador no es con supresor de chispas, comuníquese con el concesionario local para recibir instrucciones para una modificación retroactiva.

SUPRESOR DE CHISPAS

Si el producto se va a usar alrededor de materiales inflamables como: cultivos agrícolas, bosques, matorrales, pasto, u otros elementos similares, entonces se debe instalar un supresor de chispas aprobado que es requerido legalmente en el Estado de California. La legislación de California que requiere un supresor de chispas está en las Secciones 13005(b), 4442 y 4443. Los supresores de chispas también son requeridos en algunas tierras del Servicio Forestal de EE. UU. y pueden ser requeridos legalmente por otras legislaciones y reglamentaciones. Se provee un supresor de chispas aprobado y también hay disponibles en nuestros concesionarios de productos, o se pueden pedir a DEWALT Industrial Tool Co., 701 East Joppa Road, Baltimore, MD 21286, EE. UU., 1-888-431-6871.

SISTEMA DE CONTROL DE EMISIONES

El sistema de control de emisiones para este generador cumple las normas establecidas por la Junta de Recursos del Aire (CARB) de California y la Agencia de Protección Ambiental (EPA) de los EE. UU. Los respectivos fabricantes de los motores administran las garantías del sistema de emisiones de escape. Consulte la documentación del motor para la información sobre la garantía.

⚠ ADVERTENCIA

El escape del motor de este producto contiene sustancias químicas conocidas por el Estado de California como causa de cáncer, defectos congénitos y otros daños reproductivos.

RIESGO DE ASFIXIA

⚠ PELIGRO NO USE ESTE GENERADOR DENTRO DE UNA ZONA CONFINADA. LOS GASES DE ESCAPE DE ESTE GENERADOR EMITEN MONÓXIDO DE CARBONO "MORTAL". LA EXPOSICIÓN AL MONÓXIDO DE CARBONO PUEDE CAUSAR ENVENENAMIENTO POR MONÓXIDO DE CARBONO, DOLORS DE CABEZA, ENFERMEDAD GRAVE O LA MUERTE.

RIESGO DE ELECTROCUCIÓN O CHOQUE ELÉCTRICO

⚠ PELIGRO ESTE GRUPO ELECTRÓGENO PRODUCE CORRIENTE ELÉCTRICA. POR LO TANTO, DEBEN RESPETARSE LAS DIRECTRICES DE SEGURIDAD. EL USO INCORRECTO DE ESTE GENERADOR PUEDE PRODUCIR ELECTROCUCIÓN, LESIONES O LA MUERTE. NO OPERE, EFECTÚE SERVICIO O REPARE ESTE GENERADOR EXCEPTO QUE ESTÉ COMPLETAMENTE CUALIFICADO PARA HACERLO.

⚠ PELIGRO ESTE GRUPO ELECTRÓGENO ESTÁ DISEÑADO PARA SER USADO EN CONDICIONES SECAS Y SOLO EN ZONAS DE EXTERIORES. NUNCA USE ESTE GENERADOR EN INTERIORES. NUNCA OPERE ESTE GENERADOR BAJO LLUVIA, NIEVE, NEVISCA O CONDICIONES MAYORMENTE HÚMEDAS. LA ELECTROCUCIÓN PUEDE DAÑAR EL GENERADOR, PRODUCIR LESIONES O LA MUERTE.

⚠ PELIGRO SI ESTE GENERADOR ESTÁ CONECTADO A UN EDIFICIO, CASA, COMERCIO O CUALQUIER OTRO CIRCUITO ELÉCTRICO NORMALMENTE ALIMENTADO POR EL SERVICIO PÚBLICO, DEBEN DARSE PASOS PARA ASEGURAR QUE LA SALIDA DEL GENERADOR Y LA ALIMENTACIÓN ELÉCTRICA DEL SERVICIO PÚBLICO ESTÉN AISLADOS POSITIVAMENTE. ESTO NORMALMENTE SE CUMPLIMENTA MEDIANTE EL USO DE UN INTERRUPTOR DE TRANSFERENCIA

INSTALADO CORRECTAMENTE. NO AISLAR LOS SISTEMAS ELÉCTRICOS DEL SERVICIO PÚBLICO Y DEL GENERADOR PRODUCIRÁ DAÑOS AL GENERADOR Y PUEDE PRODUCIR LESIONES O LA MUERTE A LOS TRABAJADORES DEL SERVICIO PÚBLICO DEBIDO A LA REALIMENTACIÓN DE ELECTRICIDAD.

⚠ PELIGRO PARA EVITAR LA REALIMENTACIÓN A LOS SISTEMAS DEL SERVICIO PÚBLICO, SE REQUIERE AISLAMIENTO DEL SISTEMA ELÉCTRICO DE LA RESIDENCIA. ANTES DE LA CONEXIÓN DE UN GENERADOR AL SISTEMA ELÉCTRICO DE LA RESIDENCIA, COLOQUE EN OFF EL INTERRUPTOR PRINCIPAL. ANTES DE EFECTUAR CONEXIONES PERMANENTES SE DEBE INSTALAR UN INTERRUPTOR DE TRANSFERENCIA DE DOS DIRECCIONES. PARA EVITAR ELECTROCUCIÓN O DAÑOS A LA PROPIEDAD, SOLO UN ELECTRICISTA CAPACITADO DEBE CONECTAR EL GENERADOR AL SISTEMA ELÉCTRICO DE LA RESIDENCIA. LA LEY DE CALIFORNIA REQUIERE AISLAMIENTO DEL SISTEMA ELÉCTRICO DE LA RESIDENCIA ANTES DE CONECTAR UN GENERADOR A LOS SISTEMAS ELÉCTRICOS DE LA RESIDENCIA. NO SE RECOMIENDA LA CONEXIÓN TEMPORAL DEBIDO A LA REALIMENTACIÓN.

SIEMPRE RESPETE LOS CÓDIGOS Y REGLAMENTOS LOCALES QUE CORRESPONDAN A LA INSTALACIÓN DE CUALQUIER ELEMENTO QUE CONCIERNA A ESTE PRODUCTO.

1. NFPA 70 - Código eléctrico nacional de EE. UU.
2. NFPA 37 - Norma para la instalación y uso de los motores de combustión estacionarios.
3. Agricultural Wiring handbook of Farm Standby Electric Power (Manual de cableado agrícola de la alimentación eléctrica de respaldo rural).

⚠ PELIGRO NO MODIFIQUE O APLIQUE ERRÓNEAMENTE SU GRUPO ELECTRÓGENO. LA OPERACIÓN DEL GENERADOR EN FORMA DIFERENTE A LA PREVISTA PUEDE PRODUCIR DAÑOS AL GRUPO ELECTRÓGENO, LESIONES O AÚN LA MUERTE POR ELECTROCUCIÓN.

⚠ PELIGRO NUNCA TOQUE UN TOMACORRIENTE O CABLE DESNUDO. PUEDE PRODUCIR ELECTROCUCIÓN O CHOQUE ELÉCTRICO.

RIESGO DE INCENDIO O EXPLOSIÓN

⚠ ADVERTENCIA SIEMPRE ASEGÚRESE DE QUE SE MANTENGAN POR LO MENOS 6 PIES (1.82 m) DE SEPARACIÓN EN TODOS LOS LADOS DEL GENERADOR DURANTE EL FUNCIONAMIENTO. NO MANTENER UNA SEPARACIÓN CORRECTA PUEDE DAÑAR SU GENERADOR Y CONDUCIR A POSIBLES INCENDIOS.

⚠ ADVERTENCIA LA GASOLINA ES ALTAMENTE INFLAMABLE Y SUS VAPORES SON EXPLOSIVOS. NO MANEJAR CORRECTAMENTE LA GASOLINA PUEDE PRODUCIR EXPLOSIÓN O

INCENDIO. NO PERMITA FUMAR DENTRO DE LOS 50 PIES (15 m) DE ESTE GRUPO ELECTRÓGENO.

⚠ ADVERTENCIA NUNCA REABASTEZCA CON COMBUSTIBLE UN GENERADOR CALIENTE. NUNCA REABASTEZCA EL GENERADOR MIENTRAS ESTÁ FUNCIONANDO. EL DERRAME SOBRE EL MOTOR O EL GENERADOR PUEDE PRODUCIR UNA EXPLOSIÓN O INCENDIO. SIEMPRE PERMITA QUE EL GRUPO ELECTRÓGENO SE ENFRÍE ANTES DE REABASTECER.

⚠ ADVERTENCIA NO ALMACENE ESTE GRUPO ELECTRÓGENO EN ALGUNA UBICACIÓN DONDE LAS EMANACIONES DE LA GASOLINA PUEDAN ENTRAR POTENCIALMENTE EN CONTACTO CON CHISPAS, UNA LLAMA PILOTO O UNA LLAMA ABIERTA. EL ALMACENAMIENTO INCORRECTO DE ESTE GENERADOR PUEDE PRODUCIR UNA EXPLOSIÓN O INCENDIO.

⚠ ADVERTENCIA INSPECCIONE PERIÓDICAMENTE EL SUPRESOR DE CHISPAS. LOS SUPRESORES DE CHISPAS SE REQUIEREN EN ALGUNAS ZONAS Y MINIMIZAN EL RIESGO DE INCENDIO POR CHISPAS EMITIDAS DESDE EL ESCAPE.

⚠ ADVERTENCIA NO USE ESTE GENERADOR SI LA TEMPERATURA AMBIENTE EXCEDE 104 °F/40 °C.

⚠ ADVERTENCIA NO EXCEDA LA CAPACIDAD DE CORRIENTE NOMINAL DEL GENERADOR. SE DEBEN SUMAR LAS CARGAS ELÉCTRICAS TOTALES EN CADA TOMACORRIENTE PARA DETERMINAR LA CARGA ELÉCTRICA TOTAL. LA CARGA TOTAL NO DEBE EXCEDER LA CAPACIDAD NOMINAL DEL GENERADOR. SI EL APARATO ACCIONADO NO LISTA SU CONSUMO EN VATIOS, Y SOLO EL AMPERAJE, SE PUEDE DETERMINAR EL CONSUMO EN VATIOS MULTIPLICANDO EL AMPERAJE POR EL VOLTAJE (VATIOS = AMPERIOS X VOLTIOS).

INFORMACIÓN GENERAL SOBRE SEGURIDAD

Siempre respete los códigos eléctricos nacional y local en lo pertinente a generadores. Todos los códigos locales y nacionales sustituyen las reglas o información provistas en este manual.

⚠ ADVERTENCIA CONSULTE LOS CÓDIGOS ELÉCTRICOS LOCAL Y NACIONAL PARA DETERMINAR LOS REQUISITOS DE CONEXIÓN A TIERRA DADO QUE ESTOS PUEDEN VARIAR POR LA APLICACIÓN. ESTE GENERADOR ESTÁ INTERNAMENTE CONECTADO A TIERRA CON NEUTRO AL BASTIDOR. DONDE LAS APLICACIONES REQUIEREN CONEXIÓN A TIERRA EXTERNA, SE DEBE EFECTUAR UNA CONEXIÓN DESDE EL GENERADOR A UNA TIERRA VERDADERA SÓLIDA. PARA EL CONDUCTOR SE DEBE USAR UN CABLE DE COBRE DE LARGO CONTINUO SIN EMPALMES, NO MENOR A AWG 6.

- Al trasladar o transportar este generador, adopte precauciones apropiadas para evitar derrame de combustible. Además, siempre emplee el sentido

común al elevar este generador. Se debe emplear una cantidad adecuada de personas y métodos de elevación apropiados.

- No cubra el generador mientras está funcionando o inmediatamente después de la parada. Siempre permita tiempo de enfriamiento antes de cubrirlo.
- No use este generador salvo que esté en buenas condiciones mecánicas y eléctricas.
- Siempre mantenga las manos, partes del cuerpo, el pelo y la ropa bien alejados de las piezas giratorias de este generador.
- No ponga en marcha este generador con los dispositivos conectados en "ON". Siempre asegúrese de que los dispositivos conectados estén desconectados del generador o puestos en "OFF" antes de poner en marcha el generador.
- Puede requerirse que los generadores que funcionan en sitios de trabajo o construcción tengan tomacorrientes GFCI (interruptor de circuito por pérdida a tierra).
- Use únicamente cordones de prolongación conectados a tierra en buenas condiciones y asegúrese de que el tamaño del alambre dentro de los cordones de extensión sea de una medida suficiente para transportar con seguridad la salida pico del generador.
- Nunca manipule cordones de extensión o circuitos eléctricos si está parado en agua o en una zona húmeda.

RIESGO DE LESIONES

ADVERTENCIA MANTENGA LAS MANOS, PARTES DEL CUERPO, PELO Y ROPA ALEJADOS DE LAS PIEZAS "CALIENTES" DEL GRUPO ELECTRÓGENO DURANTE Y DESPUÉS DEL FUNCIONAMIENTO. EL SISTEMA DE ESCAPE Y EL GENERADOR EN GENERAL, PUEDEN PERMANECER MUY CALIENTES AÚN DESPUÉS DE LA PARADA.

ADVERTENCIA NO MODIFIQUE LA VELOCIDAD REGULADA. EL GENERADOR FUNCIONA CON UNA VELOCIDAD NOMINAL DE 3600 RPM. LOS INCREMENTOS DE VELOCIDAD POR SOBRE LAS 3600 RPM NOMINALES AUMENTARÁ LA PROBABILIDAD DE LESIONES DEBIDO AL ESFUERZO ROTATORIO DE LAS PIEZAS QUE GIRAN. EL FUNCIONAMIENTO DEL GENERADOR CON VELOCIDADES DEBAJO DE LAS 3600 RPM NOMINALES PUEDE DAÑAR EL GENERADOR O EL APARATO IMPULSADO DEBIDO A LA SALIDA DE BAJO VOLTAJE.

SEGURIDAD DE LA BATERÍA

ADVERTENCIA LAS BATERÍAS ALMACENADAS PRODUCEN Y LIBERAN HIDRÓGENO GASEOSO EXPLOSIVO MIENTRAS SE CARGAN. LAS CHISPA, LLAMAS O CENIZAS ARDIENDO MÁS LIGERAS PUEDEN ENCENDER ESTOS GASES Y

CAUSAR UNA EXPLOSIÓN GRAVE QUE PUEDE PRODUCIR CEGUERA U OTRAS LESIONES GRAVES. USEN PROTECCIÓN OCULAR, DELANTAL DE CAUCHO Y GUANTES DE CAUCHO CUANDO TRABAJE ALREDEDOR DE UNA BATERÍA O AL EFECTUAR SERVICIO DE LA BATERÍA. EL FLUIDO DE LA BATERÍA ES ÁCIDO SULFÚRICO EXTREMADAMENTE CÁUSTICO, QUE PUEDE CAUSAR LESIONES GRAVES. SIEMPRE DESCONECTE EL CABLE NEGATIVO (-) DE LA BATERÍA ANTES DE EFECTUAR SERVICIO DE LA BATERÍA O ANTES DE EFECTUAR CUALQUIER SERVICIO ELÉCTRICO EN EL GENERADOR O EL MOTOR.

PROTECCIÓN DEL MEDIO AMBIENTE

PRECAUCIÓN INSPECCIONE REGULARMENTE EL SISTEMA DE ESCAPE PARA ASEGURAR QUE ESTÁ FUNCIONANDO CORRECTAMENTE. LOS SISTEMAS DE ESCAPE CON FUGAS INCREMENTARÁN LOS NIVELES DE RUIDO.

PRECAUCIÓN DIRIJA LOS LADOS "RUIDOSOS" DEL GENERADOR A ESPACIOS ABIERTOS, EVITANDO LA REVERBERACIÓN DE LAS PAREDES O EDIFICIOS QUE ASÍ AMPLIFICAN LOS RUIDOS.

AVISO: NUNCA VACÍE O ELIMINE EL ACEITE DE MOTOR EN LA TIERRA O EN LOS SISTEMAS DE AGUAS RESIDUALES DOMÉSTICAS.

ELEVACIÓN O SUSPENSIÓN DEL GENERADOR

ADVERTENCIA Siempre use cables, cadenas o bandas con 2000 lb (907 kg) o más de capacidad nominal de trabajo para elevar o suspender el generador.

ADVERTENCIA Nunca use el generador mientras está suspendido. Esto puede causar daños a la propiedad, lesiones graves o la muerte.

ADVERTENCIA Asegúrese de que todas las fijaciones del bastidor y gancho de izado estén ajustadas.

AVISO: Asegúrese de que el generador esté en una posición nivelada antes de elevarlo o suspenderlo para evitar daños.

Accesorios

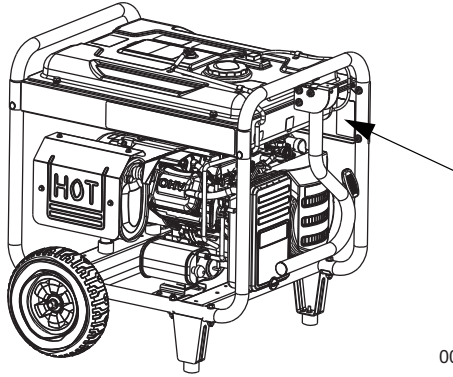
Los accesorios recomendados para usar con su herramienta están disponibles para compra en el concesionario o centro de servicio autorizado local. Si requiere ayuda para ubicar algún accesorio para su herramienta, comuníquese con DEWALT Industrial Tool Co., 701 East Joppa Road, Baltimore, MD 21286, EE. UU., llame al 1-888-431-6871 o visite nuestro sitio Web en www.dewalt.com.

- 006948 - Kit de argolla de izado

Información de servicio

Para todas las llamadas de servicio tenga disponible la siguiente información como se muestra, listada en la etiqueta de datos:

Núm. de modelo	
Núm. de serie	
Fecha de compra	
Lugar donde se compró	



000756

Reparaciones

Para asegurar la SEGURIDAD y FIABILIDAD del producto, las reparaciones, mantenimiento o servicio y ajustes deben ser efectuados por un centro de servicio de fábrica DEWALT, centro de servicio autorizado de DEWALT u otro personal de servicio cualificado. Siempre use piezas de repuesto idénticas.

Reemplazo de etiquetas de advertencia sin cargo

Si sus etiquetas de advertencia se vuelven ilegibles o faltan, llame al 1-888-431-6871 para el reemplazo sin cargo.

⚠ DANGER

Using a generator indoors **CAN KILL YOU IN MINUTES**. Generator exhaust contains carbon monoxide. This is a poison you cannot see or smell.

NEVER use inside a home or garage, **EVEN IF** doors and windows are open.

Only use **OUTSIDE** and far away from windows, doors, and vents.

⚠ DANGER

Utiliser un générateur à l'intérieur **PEUT VOUS TUER EN QUELQUES MINUTES**. Les gaz d'échappement du générateur contiennent du monoxyde de carbone. C'est un gaz toxique invisible et inodore.

- **NE JAMAIS** utiliser à l'intérieur d'une maison ou d'un garage, **MÊME SI** les portes et les fenêtres sont ouvertes.
- Utiliser **UNIQUEMENT** à l'EXTÉRIEUR et loin des fenêtres, portes et ventilations.

⚠ PELIGRO

Si usa un generador en interiores, **MORIRÁ EN POCOS MINUTOS**. El escape del generador contiene monóxido de carbono. Es un veneno que no tiene olor ni se puede ver.

- **NUNCA** lo use dentro de una casa o garaje, **AUN** si las puertas y ventanas están abiertas.
- Sólo úselo **EN EXTERIORES** y lejos de ventanas, puertas y ductos de ventilación.

<p>CAUTION / WARNING</p> <p>Read Service Literature. Improper Operation of this equipment could result in property damage, serious injury or death. Total power drawn from all receptacles must not exceed the nameplate ratings.</p> <p>Breathing Hazard. Engine exhaust fumes can cause serious injury or death. Always operate generator outside and far away from windows, doors, & vents.</p> <p>Risk of Fire or Explosion. Always turn off and cool engine before adding fuel. Hot engine parts, sparks, or lit cigarettes can ignite gasoline. Store fuel away from generator.</p> <p>Hot Surfaces. Contact with hot generator and engine parts could cause serious injury. Allow adequate cool down time before servicing.</p> <p>Risk of Electrocution, property damage. Connecting generator to a structure's electrical system should be done by a qualified electrician to prevent backfeed. Do not operate generator in wet conditions.</p> <p>Operational Warning - Never adjust throttle setting. Generator service and repair should only be performed by a qualified technician.</p>	<p>PRECAUCION / ALERTA</p> <p>Leer el manual de asistencia. El uso incorrecto puede provocar averías, lesiones graves o muerte. La total carga diseñada de todas las tomas no debe exceder las limitas indicadas de placa.</p> <p>Peligro de Inhalación. Los gases de escape del motor pueden provocar lesiones graves e incluso muerte. Utilícelo únicamente A L'EXTERIOR y lejos de ventanas, de puertas y de ductos de ventilación.</p> <p>Peligro de fuego o explosión. Desconectar y dejar enfriar el motor antes de introducir el combustible. Las piezas calientes del motor, chispas o cigarrillos encendidos pueden inflamar la gasolina. Almacenar el combustible lejos del generador.</p> <p>Superficies calientes. El contacto con las piezas del motor y el generador calientes puede causar lesiones graves. Permitir el tiempo de refrigeración suficiente antes de la manutención.</p> <p>Peligro de electrocución y avería. La conexión del generador a una instalación eléctrica debe realizarla un electricista cualificado para prevenir la retro-alimentación. No manipular el generador en condiciones de humedad.</p> <p>Precauciones de uso. No manipular el regulador de vueltas. La manutención y reparación deberá ser hecha a cabo un técnico cualificado.</p>	<p>ATTENTION / AVERTIR</p> <p>Lire attentivement la notice d'utilisation. Une mauvaise utilisation de ce matériel peut provoquer de sérieux dommages corporels et entraîner la mort. El carga total diseñada de todos receptáculos no debe exceder los valores nominales de la placa de identificación.</p> <p>Risques d'inhalation. L'inhalation des gaz d'échappement des moteurs peut provoquer de graves dommages voire entraîner la mort. Utilisez le générateur uniquement en l'EXTÉRIEUR et éloigné de las ventanas, las puertas y los respiraderos.</p> <p>Risque de feu ou d'explosion. Avant de mettre du fuel dans le moteur, l'arrêter et le faire refroidir impérativement avant toute intervention, toute source de chaleur peut enflammer le combustible. Stocker le fuel dans un endroit sûr, à l'écart des groupes.</p> <p>Risque de brûlures. Tout contact avec le générateur ou le moteur peut provoquer de graves brûlures. Laissez refroidir avant la mise en service.</p> <p>Risque d'électrocution. Tout branchement du groupe à un système électrique doit être effectué par un électricien. Ne pas faire fonctionner dans un milieu humide.</p> <p>Attention ! Ne pas modifier le réglage de l'accélérateur. La mise en service et le service après-vente ne doivent être effectués que par un technicien spécialisé.</p>
------------------------------------------------------------------------------------------------------------------------------------------------------------------------------------------------------------------------------------------------------------------------------------------------------------------------------------------------------------------------------------------------------------------------------------------------------------------------------------------------------------------------------------------------------------------------------------------------------------------------------------------------------------------------------------------------------------------------------------------------------------------------------------------------------------------------------------------------------------------------------------------------------------------------------------------------------------------------------------------------------------------------------------------------------------------------------------------------------------------------------------------------------------	---------------------------------------------------------------------------------------------------------------------------------------------------------------------------------------------------------------------------------------------------------------------------------------------------------------------------------------------------------------------------------------------------------------------------------------------------------------------------------------------------------------------------------------------------------------------------------------------------------------------------------------------------------------------------------------------------------------------------------------------------------------------------------------------------------------------------------------------------------------------------------------------------------------------------------------------------------------------------------------------------------------------------------------------------------------------------------------------------------------------------------------------------------------------------------------------------------------------------------------------------------------------------------------------------------------------------------------------	-----------------------------------------------------------------------------------------------------------------------------------------------------------------------------------------------------------------------------------------------------------------------------------------------------------------------------------------------------------------------------------------------------------------------------------------------------------------------------------------------------------------------------------------------------------------------------------------------------------------------------------------------------------------------------------------------------------------------------------------------------------------------------------------------------------------------------------------------------------------------------------------------------------------------------------------------------------------------------------------------------------------------------------------------------------------------------------------------------------------------------------------------------------------------------------------------------------------------------------------------------------------------------------------------------------------------------------------------------------------------------------------------------

Armado

Desembalaje

- Retire todo el material de embalaje.
- Retire la caja separada del kit de accesorios.
- Retire el generador de la caja.

Accesorios

Compruebe el contenido con la lista de la Table -1. Si alguna parte falta o está dañada, o si ocurre algún problema durante el armado, llame a la Línea de ayuda para generadores al 1-888-431-6871.

Tabla 2-1. Contenido

Ítem	Cant.
Manual del propietario del generador	1
Tarjeta de registro del producto (inglés, español y francés)	3
Garantía de servicio y emisiones	1
Litro de aceite SAE 30	1
Cargador de baterías (modelos con arranque eléctrico)	1
Rueda (A)	2
Pie del bastidor (B)	2
Conjunto de asa (C)	1
Eje (D)	1
Bolsa de tornillería	
Pie de caucho (E)	2
Pasador de horquilla (F)	2
Arandela plana de 1/2 in (GB)	2
Perno de carruaje M8 (H)	2
Perno M8 (largo) (J)	4
Tuerca hexagonal embridada M8 (K)	8
Soporte del eje (L)	2
Perno M6 (M)	4

Instalación de los kits de accesorios

El generador requiere algo de armado menor antes del uso.

Herramientas requeridas

Obtenga las herramientas siguientes:

- Dos llaves de boca de 8 mm, 10 mm, 12 mm y 13 mm

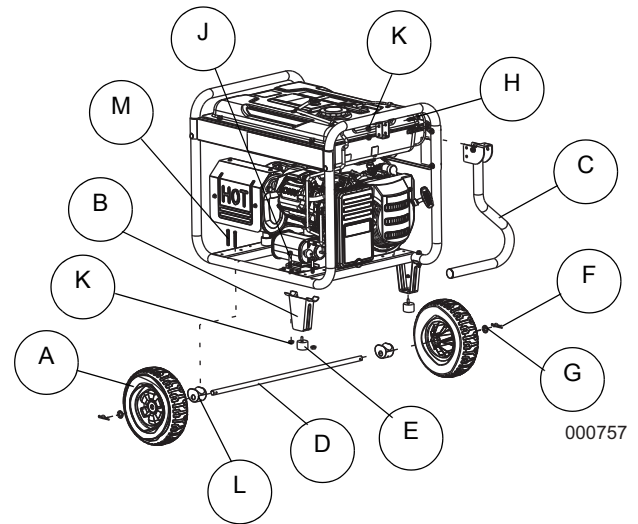
Instale el juego de ruedas (si tiene)

Las ruedas están especialmente diseñadas para mejorar la portabilidad.

AVISO:

Las ruedas no están destinadas al uso en caminos.

1. Deslice el perno M6 (M) a través de los agujeros del riel del bastidor. Instálelo en el soporte del eje (L).
2. Deslice el eje (D) a través del soporte del eje (L), rueda (A), y en la arandela plana de 0.5 in (G). Inserte el pasador de horquilla (F) a través del eje (D).



Instale el pie del bastidor y los amortiguadores de caucho.

1. Deslice el pie de caucho (E) a través del pie del bastidor (B). Instale las tuercas hexagonales embridadas de bloqueo (K).
2. Deslice el perno M8 (J) a través de los agujeros del riel del bastidor. Deslice el pie del bastidor (B) en los pernos M8. Instale las tuercas hexagonales embridadas de bloqueo (K).

Instalación del asa

1. Deslice el perno de carruaje M8 (H) a través del soporte del asa y conjunto de asa (C) insertando primero el perno a través del agujero cuadrado en el conjunto de asa (C).
2. Instale la tuerca embridada M8 (K)

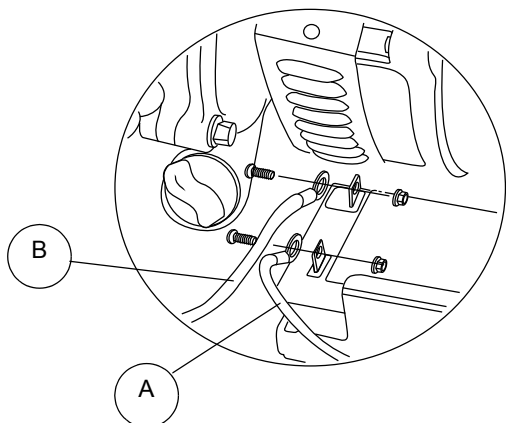
Sustitución/conexión de la batería

AVISO: La batería enviada con el generador se ha cargado totalmente. Una batería puede perder algo de carga cuando no se utiliza por períodos prolongados. Si la batería no puede efectuar giros de arranque del motor, enchufe el cargador de 12 V incluido en la caja de accesorios (vea la *“Carga de la batería (solo unidades con arranque eléctrico)”*).

IMPORTANTE: Hacer funcionar el generador no carga la batería.

ADVERTENCIA Arranque accidental. Cuando trabaje en la unidad, desconecte el cable negativo de la batería, luego el cable positivo de la batería. No hacerlo puede ocasionar la muerte o lesiones graves.

1. Desconecte en PRIMER LUGAR el cable negativo (-) de la batería (A).
2. Desconecte en SEGUNDO LUGAR el cable positivo (+) de la batería (B).



000224

3. Instale la batería nueva. Instale y apriete el soporte de retención de la batería.
4. Conecte en PRIMER LUGAR el borne positivo (+) de la batería (B). Deslice la funda de caucho sobre la tornillería de conexión.
5. Conecte en SEGUNDO LUGAR el borne negativo (-) de la batería (A).
6. Deslice la funda de caucho sobre la tornillería de conexión.

Información sobre emisiones

La Agencia de Protección Ambiental (EPA) de EE. UU. y la Junta de Recursos del Aire (CARB) de California para los generadores certificados conforme a las normas de California requieren que este generador cumpla las normas de emisiones de escape y evaporación. Ubique la etiqueta adhesiva sobre cumplimiento de las normas referidas a emisiones colocada sobre el motor para determinar qué normas satisface el generador, y para determinar qué garantía corresponde. Este generador cuenta con certificación para funcionar con gasolina. El sistema de control de emisiones incluye los siguientes componentes (si los tiene):

- Sistema de inducción de aire
 - Tubo/colector de admisión
 - Depurador de aire
- Sistema de combustible
 - Carburador
 - Tanque/tapa de combustible
 - Tuberías de combustible
 - Tuberías de ventilación de evaporación
 - Cartucho de carbón
- Sistema de encendido
 - Bujía
 - Módulo de encendido
- Sistema de escape
 - Colector de escape
 - Silenciador
 - Válvula de aire por impulsos
 - Catalizador

Operación

Conozca el generador

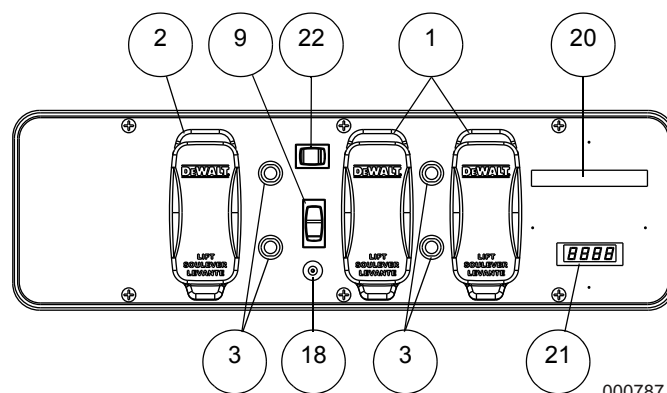
Lea cuidadosamente el Manual del propietario y las Reglas de seguridad antes de operar el generador. Guarde este manual para referencia en el futuro.

Familiarícese detalladamente con las ubicaciones de todos los componentes.

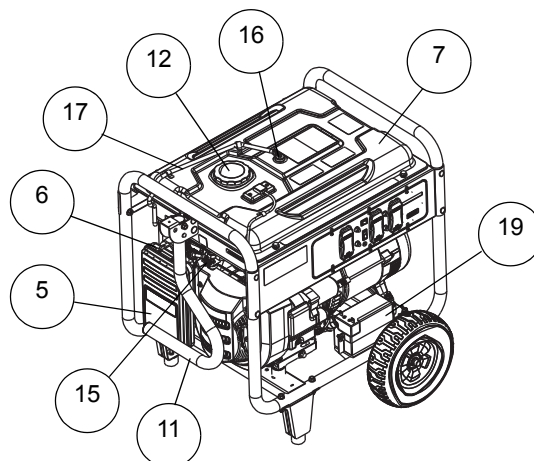
- 1. Tomacorrientes dobles de 120 VCA, 20 A, GFCI** – Suministran alimentación eléctrica para el funcionamiento de cargas de iluminación eléctrica, artefactos, herramientas y motores de 120 VCA, 20 A, monofásicos, de 60 Hz. También proporcionan protección con un interruptor de circuito por fallo de conexión a tierra, con un botón de pulsar de PRUEBA y RECONEXIÓN (NEMA 5-20R).
- 2. Tomacorriente de 120/240 VCA, 30 A con bloqueo** – Suministra alimentación eléctrica para el funcionamiento de cargas de iluminación eléctrica, artefactos, herramientas y motores de 120 y/o 240 VCA, 30 A, monofásicos, de 60 Hz (NEMA L14-30R).
- 3. Disyuntores (CA)** – Cada tomacorriente cuenta con un disyuntor de pulsar para reconectar para proteger al generador contra sobrecargas eléctricas.
- 4. Vaciado de aceite** – Se usa para vaciar el aceite del motor.
- 5. Filtro de aire** – Filtra el aire de admisión a medida que ingresa en el motor.
- 6. Palanca del cebador** – Se usa cuando se pone en marcha un motor frío.
- 7. Tanque de combustible** – Vea la capacidad del tanque en las especificaciones del generador.
- 8. Terminal de conexión a tierra** – Conecte aquí el generador a una conexión a tierra aprobada. Vea la ["Conexión a tierra del generador si se usa como portátil."](#) para los detalles.
- 9. Conmutador Start/Run/Stop (Arranque/Funcionamiento/Parada)** – Se usa para poner en marcha el motor desde el motor de arranque (solo modelos con arranque eléctrico). Debe estar en la posición Run (Funcionamiento) para arrancar manualmente.
- 10. Silenciador** – Reduce el ruido del motor.
- 11. Asa** – Pivotea y se retrae para el almacenamiento. Pulse el botón cargado a resorte para mover el asa.
- 12. Tapa de combustible** – Ubicación para llenado de combustible.
- 13. Llenado de aceite** – Añada y compruebe el aceite aquí.
- 14. Arrancador con cuerda manual** – Se usa para poner en marcha el motor manualmente.
- 15. Cierre de combustible** – Válvula entre el tanque de combustible y el carburador.
- 16. Válvula de inversión** – Permite el paso de vapores de combustible a la cámara de aire del motor.
- 17. Manguera de recuperación** – Se instala entre el cartucho de carbón y la válvula de inversión (si tiene).
- 18. Entrada del cargador de baterías** – Este tomacorriente permite recargar la batería de almacenamiento de 12 VCC provista con el cargador con adaptador de 12 V que se incluye en la caja de accesorios. Detrás de la entrada del cargador de batería hay un fusible en línea de 1.50 A, que se encuentra dentro del tablero de control para proteger la batería (solo modelos con arranque eléctrico).
- 19. Batería** – Alimenta el arrancador eléctrico (solo modelos con arranque eléctrico).
- 20. Medidor de potencia** – Indica la cantidad de potencia que se usa del generador.
- 21. Medidor de horas de funcionamiento** – Muestra la cantidad total de horas de funcionamiento durante un corto período antes de proporcionar el tiempo de funcionamiento disponible dadas la carga actualmente aplicada y el volumen de combustible remanente.
- 22. Interruptor de control de ralentí** – Hace funcionar el motor con rpm normales (altas) cuando hay una carga eléctrica presente y reduce automáticamente la velocidad del motor cuando no hay una carga presente. El sistema también se puede poner en OFF para hacer funcionar el motor con rpm más altas en todo momento.

AVISO: Haga funcionar la unidad sobre terreno nivelado para la precisión del medidor de horas de funcionamiento.

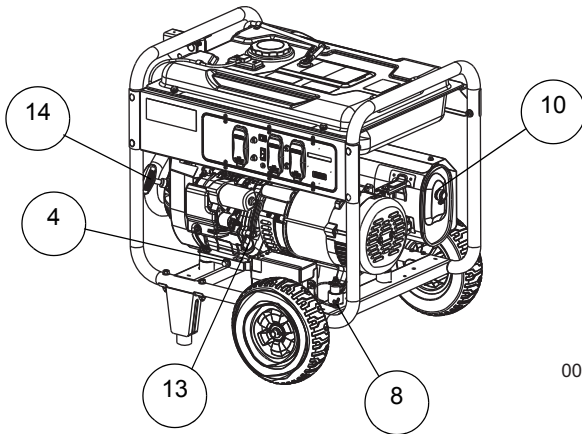
- 22. Interruptor de control de ralentí** – Hace funcionar el motor con rpm normales (altas) cuando hay una carga eléctrica presente y reduce automáticamente la velocidad del motor cuando no hay una carga presente. El sistema también se puede poner en OFF para hacer funcionar el motor con rpm más altas en todo momento.



000787



000786



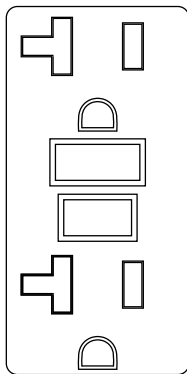
000788

Enchufes de conexión

Tomacorriente doble GFCI de 120 VCA, 20 A

Este es un tomacorriente de 120 V protegido contra sobrecargas por un disyuntor de pulsar para reconectar de 20 A. Use cada toma para proporcionar alimentación a cargas eléctricas de 120 VCA, monofásicas, de 60 Hz, que requieren una corriente combinada de 2400 W (2.4 kW) o 20 A como máximo. Use únicamente juegos de cordones de conexión de 3 conductores con conexión a tierra, de alta calidad y bien aislados, con una capacidad nominal de 125 V con 20 A (o mayor).

Use cordones de prolongación lo más cortos posible para evitar caídas de voltaje y el posible recalentamiento de los alambres.

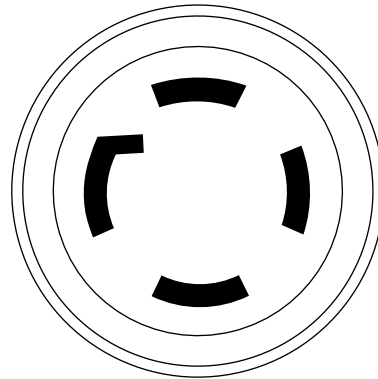


000203

Tomacorriente de 120/240 VCA, 30 A

Use un enchufe NEMA L14-30 con este tomacorriente (girar para bloquear/desbloquear). Conecte un juego de cordón de conexión de 4 conductores con conexión a tierra adecuada para el enchufe y la carga deseados. El juego de cordón de conexión debe tener capacidad nominal para 250 VCA con 30 A (o mayor).

Use este tomacorriente para alimentar cargas de 120 VCA, monofásicas, de 60 Hz que requieran hasta 3600 W (3.6 kW) de potencia con 30 A o cargas de 240 VCA, monofásicas, de 60 Hz que requieran hasta 7200 W (7.2 kW) de potencia con 30 A. El tomacorriente está protegido por dos interruptores de pulsar para reconectar de 25 A (5.5 kW) o dos interruptores del mismo tipo de 30 A (6.5 kW) o un interruptor basculante de 2 polos de 30 A o dos disyuntores de botón de pulsar para reconectar de 30 A (6.5/7.5 kW).



000204

Cómo usar el generador

Si surgen problemas durante el funcionamiento del generador, llame a la Línea de ayuda para generadores al 1-888-431-6871.

⚠ PELIGRO ¡Nunca use la unidad en una zona confinada o en interiores! ¡NUNCA use la unidad en la casa, en un vehículo o en zonas parcialmente confinadas como los garajes, AUN SI las puertas y ventanas están abiertas! Úsela ÚNICAMENTE en exteriores y lejos de ventanas, puertas y ventilaciones abiertas, y en una zona donde no se acumulen vapores de escape mortales.

⚠ PELIGRO Las emanaciones de escape del motor contienen monóxido de carbono, que no se puede ver ni oler. Este gas es venenoso, y si se respira en concentraciones suficientes, puede causar inconsciencia o incluso la muerte.

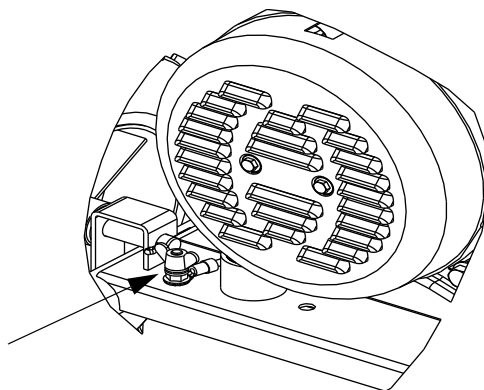
⚠ PELIGRO El flujo adecuado y sin obstrucciones de aire de enfriamiento y ventilación es crítico para el funcionamiento del generador. No altere la instalación ni permita el bloqueo, ni siquiera parcial, del suministro de ventilación, dado que esto puede afectar seriamente el funcionamiento seguro del generador. El generador DEBE funcionar en exteriores.

⚠ PELIGRO El sistema de escape se debe mantener en forma apropiada. No haga nada que pueda volver inseguro al sistema de escape o que infrinja cualquier código y/o norma local.

⚠ PELIGRO En interiores, siempre use una alarma de monóxido de carbono alimentada por batería. Asegúrese de que esté instalada correctamente de acuerdo con las instrucciones del fabricante.

⚠ ¡PELIGRO!	
Usar un generador en interiores LO PUEDE MATAR EN MINUTOS . Los gases de escape del generador contienen monóxido de carbono. este es un veneno que no se puede ver u oler.	
	
NUNCA lo use dentro de una casa o garaje, AUN si la puerta y las ventanas se encuentran abiertas.	Use únicamente en EXTERIORES, y alejado de ventanas, puertas y ventilaciones.

000657



000227

Conexión a tierra del generador si se usa como portátil

Una conexión a tierra del equipo conecta los componentes del bastidor del generador a los terminales de conexión a tierra de los tomacorrientes de salida de CA. Esto permite usar el generador como una unidad portátil sin conectar a tierra el bastidor como se especifica en la norma NEC 250.34.

Neutro conectado al bastidor.

Requisitos especiales

Puede haber reglamentos federales o estatales de la Administración de Seguridad y Salud Ocupacional (OSHA) de los EE. UU., códigos u ordenanzas locales que correspondan al uso previsto del generador.

Consulte a un electricista cualificado, inspector de electricidad o al organismo local que tenga jurisdicción:

- En algunas zonas, se requiere el registro de los generadores en las compañías de servicios públicos locales.
- Si el generador se usa en un sitio de construcción, puede ser necesario cumplir reglamentos adicionales.

Conexión al sistema eléctrico del edificio

Use un interruptor de transferencia manual al conectar directamente al sistema eléctrico de un edificio. La instalación y las conexiones deben ser efectuadas por un electricista cualificado y cumplimentando estrictamente todos los códigos de electricidad y leyes nacionales y locales.

Conozca los límites del generador

Sobrecargar un generador por encima de su capacidad nominal en vatios puede ocasionar daños al generador y a los dispositivos eléctricos conectados. Observe las reglas siguientes para evitar sobrecargas:

- Sume la potencia en vatios total de todos los dispositivos eléctricos a ser conectados a la vez. El total NO debe ser mayor que la capacidad en vatios del generador.
- Los vatios nominales de las luces pueden ser tomados de las bombillas de luz. Los vatios nominales de las herramientas, artefactos y motores pueden encontrarse usualmente en la etiqueta de datos adherida a la unidad.
- Si el artefacto, herramienta o motor no indica la potencia, multiplique los voltios por amperios nominales para determinar los vatios ($V \times A = W$).
- Algunos motores eléctricos, como los de inducción, requieren tres veces más vatios de potencia para el arranque que para el funcionamiento. Este pico de potencia dura solo unos pocos segundos. Para permitir contar con la alta potencia de arranque en vatios cuando seleccione dispositivos eléctricos para conectar al generador, haga lo siguiente:

1. Calcule los vatios requeridos para poner en marcha el motor más grande.
2. Sume a esa cifra los vatios de consumo en funcionamiento de todas las otras cargas conectadas.
3. Vea la Subsección Guía de referencia de potencia en vatios para ayuda en la determinación de cuántos ítems puede alimentar el generador simultáneamente.

AVISO:

Todas las cifras son aproximadas. Vea la etiqueta de datos en el artefacto para conocer los requisitos reales de potencia en vatios.

Guía de referencia de potencia en vatios

Dispositivo	Vatios en funcionamiento
*Acondicionador de aire (12 000 BTU).....	1700
*Acondicionador de aire (24 000 BTU).....	3800
*Acondicionador de aire (40 000 BTU).....	6000
Cargador de baterías (20 A).....	500
Lijadora de banda (3 in)	1000
Motosierra	1200
Sierra circular (6-1/2 in).....	800 a 1000
*Secarropas (eléctrico).....	5750
*Secarropas (gas)	700
*Lavarropas	1150
Cafetera.....	1750
*Compresor (1 HP).....	2000
*Compresor (3/4 HP).....	1800
*Compresor (1/2 HP).....	1400
Rizador de pelo	700
*Deshumidificador	650
Lijadora de banda (9 in)	1200
Bordeadora.....	500
Manta eléctrica	400
Pistola de clavos eléctrica	1200
Cocina eléctrica (por elemento)	1500
Sartén eléctrica	1250
*Congelador.....	700
*Ventilador de horno (3/5 HP)	875
*Abridor de puerta de garaje	500 a 750
Secador de pelo	1200
Taladro de mano.....	250 a 1100
Podadora de cerco	450
Llave de impacto	500
Plancha	1200
*Bomba de inyección.....	800
Cortadora de césped	1200
Bombilla.....	100
Horno de microondas.....	700 a 1000
*Refrigerador de leche	1100
Quemador de gasoil en horno.....	300
Estufa de gasoil (140 000 BTU)	400
Estufa de gasoil (85 000 BTU)	225
Estufa de gasoil (30 000 BTU)	150
*Pulverizador de pintura, sin aire (1/3 HP).....	600
Pulverizador de pintura, sin aire (de mano)	150
Radio	50 a 200
*Refrigerador	700
Olla de cocción lenta	200
*Bomba sumergible (1-1/2 HP)	2800
*Bomba sumergible (1 HP).....	2000
*Bomba sumergible (1/2 HP).....	1500
*Bomba de sumidero.....	800 a 1050
*Sierra de banco (10 in)	1750 a 2000
Televisor	200 a 500
Tostadora.....	1000 a 1650
Cortadora de hierba	500

* Suministre 3 veces la potencia en vatios indicada para el arranque de estos dispositivos.

Antes de poner en marcha el generador

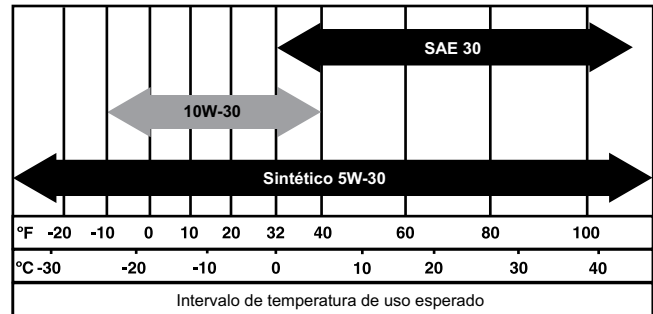
Añada aceite de motor y gasolina al generador antes del funcionamiento. Haga lo siguiente:

Añadir aceite de motor

Todo el aceite debe satisfacer las clases de servicio mínimas SJ, SL o mejores del Instituto Norteamericano del Petróleo (API). No use aditivos especiales. Seleccione el grado de viscosidad del aceite de acuerdo con la temperatura de funcionamiento esperada (vea también el cuadro).

- Por encima de 40 °F, use SAE 30
- Por debajo de 40 °F hasta 10 °F, use 10W-30
- Para todas las temperaturas, use aceite sintético 5W-30

Use aceite mineral (con base de petróleo) para el rodaje del motor antes de usar aceite sintético.



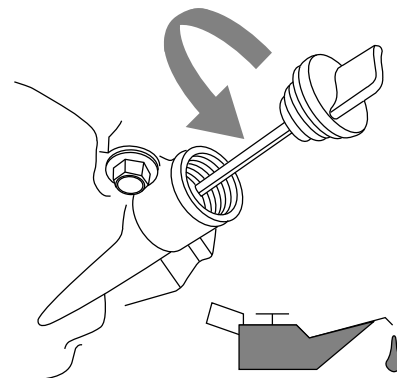
000399

PRECAUCIÓN

Cualquier intento de efectuar giros de arranque o poner en marcha el motor antes de añadir el tipo y cantidad de aceite de motor recomendado puede producir daños en el motor.

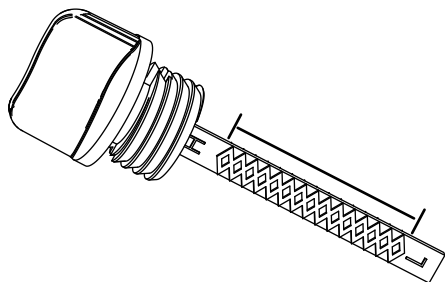
Inspeccione el nivel de aceite del motor antes de cada uso, o cada 8 horas de funcionamiento.

1. Coloque el generador en una superficie nivelada.
2. Limpie la zona alrededor del llenado aceite.
3. Retire la tapa de llenado de aceite y limpie la varilla de medición.



000115

- Enrosque la varilla de medición dentro de la garganta de llenado. Verifique si el nivel de aceite está dentro del intervalo de funcionamiento seguro como se muestra.



000116

- Añada el aceite de motor recomendado como sea necesario.
- Vuelva a colocar en su lugar la tapa de llenado y apriete con la mano.

AVISO: Algunas unidades hay más de una ubicación de llenado de aceite. Solo es necesario usar uno de los puntos de llenado de aceite.

Combustible

PELIGRO Nunca llene el tanque de combustible en interiores. Nunca llene el tanque de combustible mientras la unidad está funcionando o caliente. No derrame gasolina sobre un motor caliente. Espere a que el motor se enfríe antes de llenar el tanque de combustible.

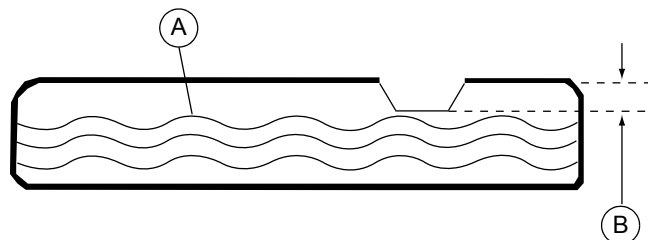
PELIGRO No llene en exceso el tanque de combustible. Siempre deje lugar para la expansión del combustible. Si llena el tanque en exceso, el combustible puede rebasar sobre un motor caliente causando INCENDIO o EXPLOSIÓN. Recoja y seque inmediatamente el combustible que pueda haberse derramado.

PELIGRO La gasolina es altamente INFLAMABLE y sus vapores son EXPLOSIVOS. Nunca permita que se fume o que haya llamas abiertas, chispas o calor en la zona mientras maneje gasolina.

Los requisitos para el combustible son como sigue:

- Gasolina limpia, fresca y sin plomo.
- Mínimo nominal 87 octanos/87 AKI (91 RON).
- Es aceptable hasta 10% de etanol (gasohol) (donde haya disponible, se recomienda combustible de grado superior sin etanol).
- NO use E85.
- NO use una mezcla de gasoil.
- NO modifique el motor para funcionar con combustibles de alternativa. Establezca el combustible antes del almacenamiento.

- Verifique que la unidad esté en OFF y que se enfríe durante un mínimo de dos minutos antes de reabastecer combustible.
- Coloque la unidad en terreno nivelado en una zona bien ventilada.
- Limpie la zona alrededor de la tapa de combustible y retire la tapa lentamente.
- Añada lentamente el combustible recomendado (A). No llene por encima del borde (B).
- Instale la tapa de combustible.



000400

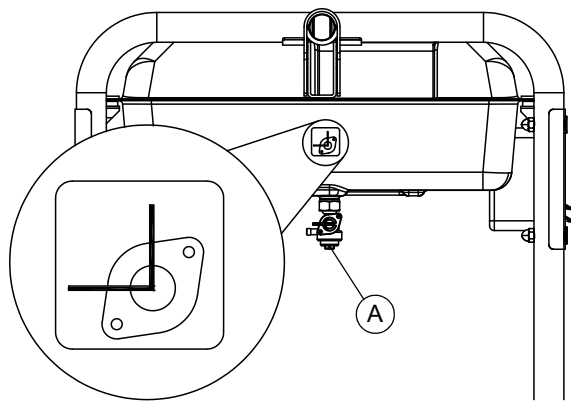
AVISO: Permita que el combustible derramado se evapore antes de poner en marcha la unidad.

IMPORTANTE: Es importante evitar la formación de depósitos gomosos en las piezas del sistema de combustible como el carburador, la manguera o el tanque de combustible durante el almacenamiento. Los combustibles mezclados con alcohol (llamados gasohol, etanol o metanol) pueden atraer humedad, lo que ocasiona la separación y la formación de ácidos durante el almacenamiento. El gas ácido puede dañar el sistema de combustible de un motor durante el almacenamiento. Para evitar problemas del motor, el sistema de combustible debe vaciarse antes de almacenarlo durante 30 días o más. Vea la sección **“Almacenamiento.”** Nunca use productos de limpieza de motor o carburador en el tanque de combustible ya que pueden ocasionar daños permanentes.

Arranque de motores con arranque con tirador

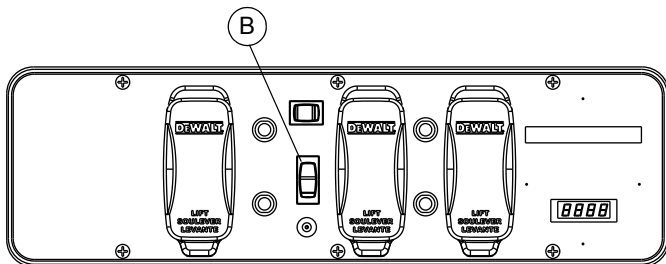
PRECAUCIÓN Daños a los equipos y la propiedad. Desconecte las cargas eléctricas antes de poner en marcha o parar la unidad. No hacer esto puede provocar daños al equipo y la propiedad.

- Desconecte todas las cargas eléctricas de los tomacorrientes de la unidad antes de poner en marcha el motor.
- Coloque el generador en una superficie nivelada.
- Abra la válvula de cierre de combustible (A).



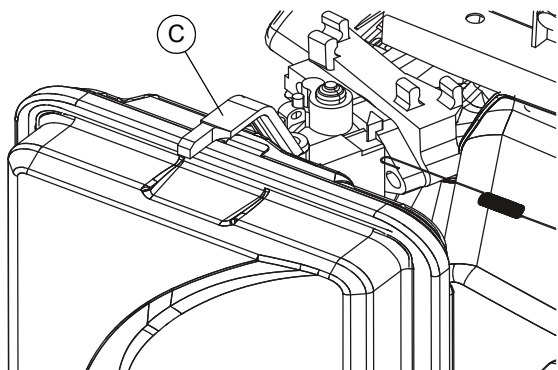
000208

4. Gire el conmutador Run/Stop (Funcionamiento/parada) del motor (B) a Run (solo arranque manual).



000787

5. Deslice el cebador del motor (C) a la posición de Cebado máximo (izquierda).



000209

6. Sujete firmemente la manija de la cuerda de arranque y tire lentamente hasta sentir una resistencia mayor. Tire rápidamente hacia arriba y afuera.
7. Cuando el motor arranque, mueva la perilla del cebador a la posición de cebado medio hasta que el motor funcione suavemente y luego hasta la posición de Funcionamiento. Si el motor falla intermitentemente, mueva el cebador nuevamente a la posición de Cebado medio hasta que el motor funcione suavemente y luego a la posición de Funcionamiento.

8. Si el motor hace explosiones, pero no sigue funcionando, mueva la palanca del cebador a cebado máximo y repita las instrucciones de arranque.

IMPORTANTE: No sobrecargue el generador. Tampoco sobrecargue los tomacorrientes individuales del tablero. Estas salidas están protegidas contra sobrecargas con disyuntores tipo pulsar para reconectar. Si se excede el amperaje nominal de algún disyuntor, ese disyuntor se abre y se pierde la salida eléctrica a ese tomacorriente. Lea "No sobrecargue el generador" cuidadosamente.

Arranque de motores con arranque eléctrico

**PRECAUCIÓN**

Daños a los equipos y la propiedad.

Desconecte las cargas eléctricas

antes de poner en marcha o parar la unidad. No hacer esto puede provocar daños al equipo y la propiedad.

1. Desconecte todas las cargas eléctricas de los tomacorrientes de la unidad antes de poner en marcha el motor.
2. Coloque el generador en una superficie nivelada.
3. Abra la válvula de cierre de combustible.
4. Mueva la perilla del cebador hacia afuera a la posición de Cebado máximo.
5. Para poner en marcha el motor, pulse y mantenga pulsado el conmutador Start/Run/Stop (Arranque/Funcionamiento/Parada) en la posición Start (Arranque). Cuando el motor arranque, suelte el conmutador para la posición RUN (Funcionamiento).
6. Cuando el motor arranque, mueva la perilla del cebador a la posición de cebado medio hasta que el motor funcione suavemente y luego hasta la posición de FUNCIONAMIENTO. Si el motor falla intermitentemente, mueva la perilla del cebador nuevamente a la posición de Cebado medio hasta que el motor funcione suavemente y luego a la posición de Funcionamiento.

Arranque manual

Este generador tiene un arrancador manual de cuerda que se puede utilizar si la batería se encuentra descargada.

AVISO:

El conmutador debe estar en la posición

Run (Funcionamiento). Use una de las

salidas de los tomacorrientes del generador junto con el cargador de baterías incluido para cargar la batería mientras funciona el generador.

Para poner en marcha manualmente:

1. Sujete firmemente la manija de la cuerda de arranque y tire lentamente hasta sentir una resistencia mayor.
2. Tire rápidamente hacia arriba y afuera para poner en marcha el motor.
3. Luego siga la misma secuencia de cebado.

AVISO: Si el motor hace explosiones, pero no sigue funcionando, mueva la palanca del cebador a Cebado máximo y repita las instrucciones de arranque.

IMPORTANTE: No sobrecargue el generador o los tomacorrientes individuales del tablero. Estas salidas están protegidas contra sobrecargas con disyuntores tipo pulsar para reconectar. Si se excede el amperaje nominal de algún disyuntor, ese disyuntor se abre y se pierde la salida eléctrica a ese tomacorriente. Lea la ["Conozca los límites del generador."](#) cuidadosamente.

Parada del generador

PRECAUCIÓN Daños a los equipos y la propiedad. Desconecte las cargas eléctricas antes de poner en marcha o parar la unidad. No hacer esto puede provocar daños al equipo y la propiedad.

1. Apague todas las cargas y desenchufe las cargas eléctricas de los tomacorrientes del tablero del generador.
2. Deje que el motor funcione sin carga durante varios minutos para estabilizar las temperaturas internas del motor y el generador.
3. Mueva el conmutador Run/Stop (Funcionamiento/Parada) a la posición Stop.
4. Cierre la válvula de combustible.

AVISO: Bajo condiciones normales, cierre la válvula de combustible y permita que el generador funcione hasta agotar el combustible de la cámara del carburador. Para las emergencias, conmute a Stop (Parada).

Sistema de parada por nivel de aceite bajo

El motor tiene un sensor de nivel de aceite bajo que para el motor automáticamente cuando el nivel cae por debajo de un nivel especificado. El motor no funcionará hasta que el aceite se haya llenado al nivel apropiado.

Si el motor se para solo y el cilindro tiene suficiente combustible, revise el nivel de aceite del motor.

Carga de la batería (solo unidades con arranque eléctrico)

ADVERTENCIA Explosión. Las baterías emiten gases tóxicos mientras se cargan. Mantenga alejados el fuego y las chispas. Use equipo de protección al trabajar con baterías. No hacerlo puede ocasionar la muerte o lesiones graves.

ADVERTENCIA Riesgo de quemaduras. Las baterías contienen ácido sulfúrico y pueden causar quemaduras químicas graves. Use equipo de protección al trabajar con baterías. No hacerlo puede ocasionar la muerte o lesiones graves.

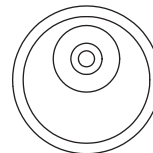
AVISO: La batería enviada con el generador se ha cargado totalmente. Una batería puede perder parte de su carga cuando no se utiliza por períodos prolongados. Si la batería no puede efectuar giros de arranque del motor, enchufe el cargador de 12 V incluido en la caja de accesorios. **HACER FUNCIONAR EL GENERADOR NO CARGA LA BATERÍA.**

Use el enchufe del cargador de baterías para mantener la batería cargada y lista para usar. La carga de la batería debe efectuarse en un lugar seco.

1. Enchufe el cargador al conector Battery Charge Input (entrada de cargador de batería) que se encuentra en el tablero de control. Enchufe el lado del tomacorriente de pared del cargador de baterías en un tomacorriente de pared de 120 VCA.
2. Desenchufe el cargador de baterías del tomacorriente de pared y del conector del tablero de control cuando el generador esté próximo a ser usado.

AVISO: No use el cargador de baterías durante más de 48 horas por carga.

ENTRADA DEL CARGADOR DE BATERÍAS



000423

Esta página ha sido dejada en blanco intencionalmente.

Mantenimiento

Recomendaciones de mantenimiento

El mantenimiento regular mejorará el rendimiento y extenderá la vida útil del generador. Vea a un concesionario cualificado para servicio.

La garantía del generador no cubre elementos sometidos a abuso o negligencia del operador. Para recibir el valor completo de la garantía, el operador debe mantener el generador como se instruye en este manual, incluso el almacenamiento apropiado como se detalla en Almacenamiento en el invierno y Almacenamiento de largo plazo.

AVISO: Llame al 1-888-431-6871 con las preguntas acerca de la sustitución del componente.

Programa de mantenimiento

Respete los intervalos de mantenimiento programado, el que ocurra primero acorde al uso.

AVISO: Las condiciones adversas pueden requerir servicio más frecuente.

AVISO: Todo el servicio y los ajustes requeridos deben efectuarse en cada estación como se detalla en el cuadro siguiente.

Tarea de mantenimiento	Com o sea necesario	En cada uso	En cada estación	Cada 100 horas	Cada 200 horas o anualmente
Limpieza de las superficies exteriores	X				
Comprobación del nivel de aceite de motor		X			
Cambio de aceite de motor *			X	X	
Limpieza/sustitución del filtro de aire **			X		X
Sustitución de la bujía			X		
Comprobación/ajuste de la luz de válvulas ***			X		

* Cambie el aceite después de las **primeras 30 horas** de funcionamiento. Cambie el aceite cada mes cuando funcione bajo carga pesada o altas temperaturas.

** Limpie el filtro de aire más a menudo en condiciones de suciedad o polvo. Sustituya las piezas del filtro de aire si no se pueden limpiar adecuadamente.

*** Compruebe la luz de válvulas después de las **primeras 50 horas** de funcionamiento y ajuste si es necesario.

Especificaciones del producto

Especificaciones del generador	
Potencia nominal	7.0 kW**
Potencia pico	8.75 kW
Voltaje nominal de CA	120/240
Carga de CA nominal	
Corriente con 240 V	29.2 A**
Corriente con 120 V	58.3 A
Frecuencia nominal	60 Hz con 3600 rpm
Fase	Monofásico
Peso de la unidad	90.7 kg (200 lb)
Dimensiones de la unidad	Largo = 692 mm (27.25 in) x Ancho = 696 mm (27.4 in) x Alto = 724 mm (28.5 in)

** Intervalo de temperatura de funcionamiento: -18 °C (0 °F) a 40 °C (104 °F). Al funcionar a temperaturas mayores que 25 °C (77 °F) puede haber una disminución de potencia.

** La potencia en vatios y la corriente máximas están sujetas a y limitadas por factores como el contenido de BTU del combustible, temperatura ambiente, altitud, condición del motor, etc. La potencia máxima disminuye aproximadamente 3.5% por cada 1000 ft (305 m) por encima del nivel del mar y también disminuirá aproximadamente 1% por cada 6° C (10° F) por encima de 16° C (60° F) de temperatura ambiente.

Especificaciones del motor	
Cilindrada	420 cm ³
Núm. de pieza de la bujía	0J00620106
Tipo de bujía	NHSP LDF7TC
Separación de electrodos de bujía	0.028-0.031 in o (0.70-0.80 mm)
Capacidad de gasolina	28.4 l (7.5 gal EE. UU.)
Tipo de aceite	Vea el cuadro en “Antes de poner en marcha el generador.”
Capacidad de aceite	1.0 l (1.06 qt.)
Tiempo de funcionamiento (50% de carga)	10.5 horas
Batería	12 VCC, 10 A-h

Mantenimiento preventivo

La suciedad o los residuos pueden causar funcionamiento incorrecto y daños al equipo. Limpie el generador diariamente o antes de cada uso. Mantenga la zona alrededor y detrás del silenciador sin residuos de combustible. Inspeccione todas las aberturas de aire de enfriamiento en el generador.



ADVERTENCIA

No inserte ningún objeto a través de las ranuras de aire de enfriamiento. El

generador puede arrancar en cualquier momento y puede producir la muerte, lesiones graves y daños a la unidad.

- Use un paño húmedo para limpiar las superficies exteriores.
- Use un cepillo de cerdas suaves para aflojar la suciedad, aceite, etc. compactada.
- Use una aspiradora para recoger la suciedad y residuos sueltos.
- Se puede usar aire a baja presión (que no exceda 25 psi) para soplar la tierra. Inspeccione las ranuras de aire de enfriamiento y las aberturas del generador. Estas aberturas deben mantenerse limpias y sin obstrucciones.

AVISO: NO use una manguera de jardín para limpiar el generador. Puede entrar agua en el sistema de combustible del motor y causar problemas. Si entra agua en el generador a través de las ranuras de aire de enfriamiento, parte del agua será retenida en los vacíos y hendiduras del aislamiento del devanado del rotor y estator. La acumulación de agua y tierra en los devanados internos del generador disminuirá la resistencia del aislamiento de los devanados.

Mantenimiento del motor

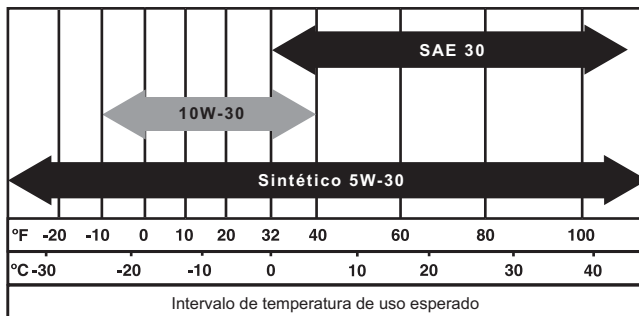
ADVERTENCIA Arranque accidental. Desconecte los cables de las bujías al trabajar en la unidad. No hacerlo puede ocasionar la muerte o lesiones graves.

Recomendaciones sobre el aceite de motor

Todo el aceite debe satisfacer las clases de servicio mínimas SJ, SL o mejores del Instituto Norteamericano del Petróleo (API). No use aditivos especiales. Seleccione el grado de viscosidad del aceite de acuerdo con la temperatura de funcionamiento esperada (vea también el cuadro).

- Por encima de 40 °F, use SAE 30
- Por debajo de 40 °F hasta 10 °F, use 10W-30
- Para todas las temperaturas, use aceite sintético 5W-30

Use aceite mineral (con base de petróleo) para el rodaje del motor antes de usar aceite sintético.

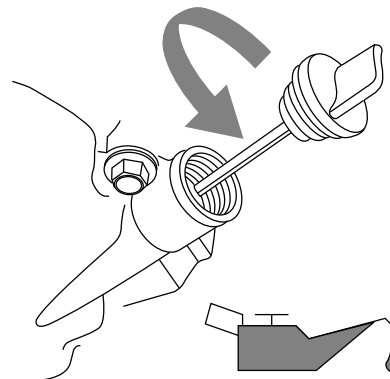


000399

PRECAUCIÓN Cualquier intento de efectuar giros de arranque o poner en marcha el motor antes de añadir el tipo y cantidad de aceite de motor recomendado puede producir daños en el motor.

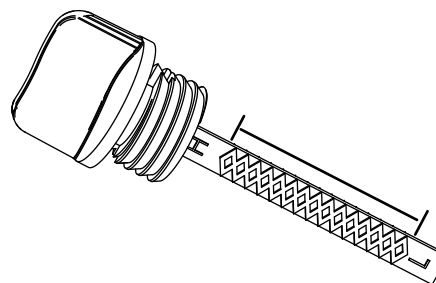
Inspeccione el nivel de aceite del motor antes de cada uso, o cada 8 horas de funcionamiento.

1. Coloque el generador en una superficie nivelada.
2. Limpie la zona alrededor del llenado aceite.
3. Retire la tapa de llenado de aceite y limpie la varilla de medición.



000115

4. Enrosque la varilla de medición dentro de la garganta de llenado. Verifique si el nivel de aceite está dentro del intervalo de funcionamiento seguro como se muestra.



000116

5. Añada el aceite de motor recomendado como sea necesario.

- Vuelva a colocar en su lugar la tapa de llenado y apriete con la mano.

AVISO: Algunas unidades hay más de una ubicación de llenado de aceite. Solo es necesario usar uno de los puntos de llenado de aceite.

Cambio de aceite de motor

ADVERTENCIA Arranque accidental. Desconecte los cables de las bujías al trabajar en la unidad. No hacerlo puede ocasionar la muerte o lesiones graves.

Cuando utiliza el generador en condiciones extremas de suciedad o polvo, o en clima extremadamente caluroso, cambie el aceite más frecuentemente.

AVISO: No contamine. Conserve los recursos. Devuelva el aceite usado a los centros de recolección.

Cambie el aceite mientras el motor aún está caliente del funcionamiento, como sigue:

- Coloque el generador en una superficie nivelada.
- Desconecte el cable de la bujía y coloque el cable donde no pueda hacer contacto con la bujía.
- Limpie la zona alrededor de la abertura de llenado de aceite y retire el tapón de llenado de aceite.
- Retire la tapa de llenado de aceite.
- Retire el tapón de vaciado de aceite y vacíe el aceite completamente en un recipiente adecuado.
- Instale el tapón de vaciado de aceite y apriételo con seguridad.
- Vierta el aceite lentamente en la abertura de llenado de aceite hasta que el nivel de aceite esté entre L y H en la varilla de medición. NO llene en exceso.
- Instale la tapa de llenado de aceite y apriete con la mano.
- Recoja y limpie el aceite que pueda haberse derramado.
- Deseche apropiadamente el aceite de acuerdo con todos los reglamentos correspondientes.

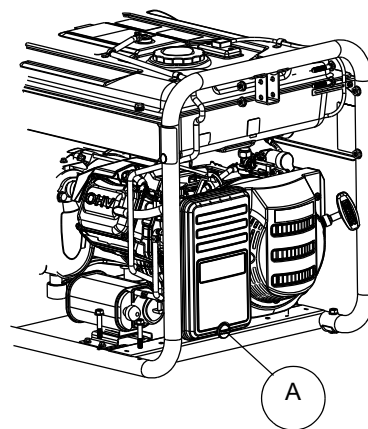
Filtro de aire

El motor no funcionará correctamente y se puede dañar si lo usa con un filtro de aire sucio. Efectúe el servicio del filtro de aire más frecuentemente en condiciones de suciedad o polvo.

Para efectuar servicio del filtro de aire:

- Gire la perilla (A) y retire la cubierta del filtro de aire.
- Lave en agua jabonosa. Estruje el filtro suavemente para secarlo con un paño limpio (NO LO RETUERZA).
- Limpie la cubierta del filtro de aire antes de volver a instalarla.

AVISO: O, para pedir un filtro de aire nuevo, comuníquese con el centro de servicio autorizado más cercano llamando al 1-888-431-6871.

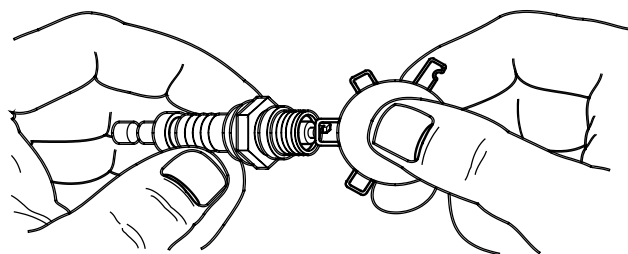


000809

Servicio de la bujía

Para efectuar el servicio de la bujía:

- Limpie la zona alrededor de la bujía.
- Retire e inspeccione la bujía.
- Inspeccione la separación de electrodos con un calibre de espesores de alambre y, vuelva a ajustar la separación de la bujía a 0.028 - 0.031 in (0.70 - 0.80 mm).



000211

AVISO: Sustituya la bujía si los electrodos están picados, quemados o la porcelana está rajada. Use SOLAMENTE la bujía de repuesto recomendada. Vea las Especificaciones.

- Instale la bujía apretando con la mano y apriete 3/8 a 1/2 vuelta adicional usando una llave para bujías.

Sustitución/conexión de la batería

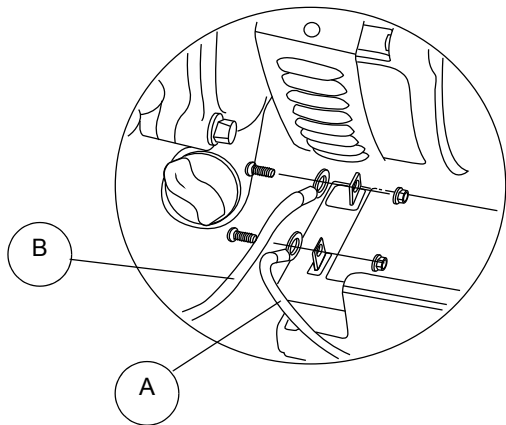
La batería enviada con el generador se ha cargado completamente. Una batería puede perder algo de carga cuando no se utiliza por períodos prolongados. Si la batería no puede efectuar giros de arranque del motor, enchufe el cargador de 12 V incluido en la caja de accesorios (vea la sección Carga de la batería).

IMPORTANTE: HACER FUNCIONAR EL GENERADOR NO CARGA LA BATERÍA.

ADVERTENCIA Arranque accidental. Cuando trabaje en la unidad, desconecte el cable negativo de la batería, luego el cable positivo de la batería. No hacerlo puede ocasionar la muerte o lesiones graves.

- Desconecte en PRIMER LUGAR el cable negativo (-) de la batería (A).

- Desconecte en **SEGUNDO LUGAR** el cable positivo (+) de la batería (B).



000224

- Instale la batería nueva. Instale y apriete el soporte de retención de la batería.
- Conecte en **PRIMER LUGAR** el borne positivo (+) de la batería (B). Deslice la funda de caucho sobre la tornillería de conexión.
- Conecte en **SEGUNDO LUGAR** el borne negativo (-) de la batería (A).
- Deslice la funda de caucho sobre la tornillería de conexión.

Juego de válvulas

IMPORTANTE: Si está incómodo haciendo este procedimiento o si no dispone de las herramientas adecuadas, lleve el generador al centro de servicio más cercano para ajustar la luz de válvulas.

Compruebe la luz de válvulas después de las primeras quince horas de funcionamiento. Ajuste como sea necesario.

- Admisión – 0.09 mm ± 0.02 mm (frío), (0.004 in ± 0.001 in)
- Escape – 0.14 mm ± 0.02 mm (frío), (0.006 in ± 0.001 in)

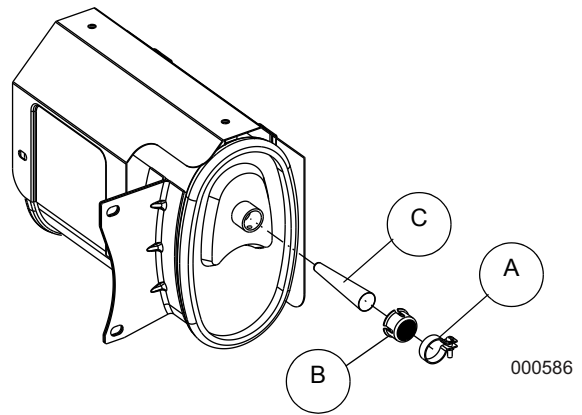
Inspeccione el tamiz del supresor de chispas (modelos CARB)



Superficies calientes. Al usar la máquina, no toque las superficies

calientes. Mantenga la máquina alejada de los combustibles durante el uso. Las superficies calientes pueden ocasionar quemaduras graves o incendio.

- Afloje la abrazadera (A) y retire el tornillo.
- Inspeccione el tamiz (B) y sustitúyalo si está desgarrado, perforado o dañado de alguna otra forma. Si el tamiz no está dañado, límpielo con solvente comercial.
- Vuelva a colocar en su lugar el cono (C) y el tamiz (B) del supresor de chispas. Fíjelo con la abrazadera y el tornillo.



000586

Almacenamiento

Normas generales

Se recomienda poner en marcha y hacer funcionar el generador durante 30 minutos cada 30 días. Si no es posible, consulte la lista siguiente para preparar la unidad para almacenamiento.

- NO coloque una cubierta para almacenamiento sobre un generador caliente. Permita que la unidad se enfríe a temperatura ambiente antes de almacenarla.
- NO almacene combustible de una estación a otra excepto que esté tratado apropiadamente.
- Sustituya el recipiente de combustible si hay óxido presente. El óxido en el combustible causa problemas en el sistema de combustible.
- Cubra la unidad con una cubierta protectora adecuada resistente a la humedad.
- Almacene la unidad en una zona limpia y seca.
- Siempre almacene el generador y el combustible alejados del calor y las fuentes de encendido.

Preparación del sistema de combustible/motor para almacenamiento

El combustible almacenado más de 30 días puede deteriorarse y dañar los componentes del sistema de combustible. Mantenga fresco el combustible, use estabilizador de combustible.

Si se añade estabilizador de combustible al sistema de combustible, prepare y haga funcionar el motor para almacenamiento de largo plazo. Haga funcionar el motor durante 10-15 minutos para hacer circular el estabilizador a través del sistema de combustible. El combustible preparado adecuadamente se puede almacenar hasta 24 meses.

AVISO: Si el combustible no ha sido tratado con estabilizador de combustible, debe vaciarse en un recipiente aprobado. Haga funcionar el motor hasta que pare por falta de combustible. Se recomienda el uso de un estabilizador de combustible en el recipiente de almacenamiento para mantener el combustible fresco.

1. Cambie el aceite de motor.
2. Retire la bujía.
3. Vierta una cuchara sopera (5-10 cm³) de aceite de motor limpio o pulverice un agente protector adecuado en el cilindro.

ADVERTENCIA Pérdida de visión. Se requiere protección ocular para evitar la pulverización por el agujero de la bujía cuando haga girar el motor. No hacer esto puede provocar la pérdida de visión.

4. Tire de la cuerda de arranque manual varias veces para distribuir el aceite en el cilindro.
5. Instale la bujía.
6. Tire de la cuerda de arranque manual lentamente hasta que sienta resistencia. Esto cerrará las válvulas de manera que la humedad no pueda ingresar en el cilindro del motor. Suelte lentamente la cuerda de arranque manual.

Cambio de aceite

Cambie el aceite de motor antes de almacenarlo. Vea la subsección **“Cambio de aceite de motor.”**

Resolución de problemas

PROBLEMA	CAUSA	CORRECCIÓN
El motor está funcionando, pero no hay salida de CA disponible.	<ol style="list-style-type: none"> 1. Disyuntor ABIERTO. 2. Conexión deficiente o juego de cordones de conexión defectuoso. 3. El dispositivo conectado está averiado. 4. Fallo en el generador. 5. El tomacorriente GFCI (si tiene) está ABIERTO. 	<ol style="list-style-type: none"> 1. Vuelva a conectar el disyuntor. 2. Compruebe y repare. 3. Conecte otro dispositivo que se encuentre en buenas condiciones. 4. Comuníquese con un concesionario de servicio autorizado independiente. 5. Corrija el fallo de conexión a tierra y pulse el botón de reconexión en el tomacorriente GFCI (si tiene).
El motor funciona bien sin carga, pero tiende a pararse cuando se aplica carga.	<ol style="list-style-type: none"> 1. Cortocircuito en una carga conectada. 2. El generador está sobrecargado. 3. La velocidad del motor es muy lenta. 4. Generador en cortocircuito. 	<ol style="list-style-type: none"> 1. Desconecte la carga eléctrica en cortocircuito. 2. Vea “Cómo usar el generador.” 3. Comuníquese con un concesionario de servicio autorizado independiente. 4. Comuníquese con un concesionario de servicio autorizado independiente.
El motor no arranca, o arranca y funciona en forma irregular.	<ol style="list-style-type: none"> 1. La válvula de cierre de combustible se encuentra CERRADA. 2. Filtro de aire sucio. 3. Sin combustible. 4. Combustible vencido. 5. El cable de bujía no se encuentra conectado a la bujía. 6. Bujía averiada. 7. Agua en el combustible. 8. Cebado en exceso. 9. Nivel de aceite bajo. 10. Mezcla de combustible excesivamente rica. 11. La válvula de admisión se encuentra atorada abierta o cerrada. 12. El motor perdió compresión. 	<ol style="list-style-type: none"> 1. Abra el cierre de combustible (ON). 2. Limpie o sustituya el filtro de aire. 3. Llene el tanque de combustible. 4. Vacíe el tanque de combustible y llene con combustible nuevo. 5. Conecte el cable a la bujía. 6. Sustituya la bujía. 7. Vacíe el tanque de combustible, llene con combustible nuevo. 8. Ajuste el cebador en la posición de sin cebado. 9. Llene el cárter hasta el nivel correcto. 10. Comuníquese con un concesionario de servicio autorizado independiente. 11. Comuníquese con un concesionario de servicio autorizado independiente. 12. Comuníquese con un concesionario de servicio autorizado independiente.
El motor se para durante el funcionamiento.	<ol style="list-style-type: none"> 1. Sin combustible. 2. Nivel de aceite bajo. 3. Fallo en el motor. 	<ol style="list-style-type: none"> 1. Llene el tanque de combustible. 2. Llene el cárter hasta el nivel correcto. 3. Comuníquese con un concesionario de servicio autorizado independiente.
Falta potencia del motor.	<ol style="list-style-type: none"> 1. La carga es muy alta. 2. Filtro de aire sucio. 3. El motor necesita mantenimiento. 4. El cebador está cerrado parcialmente. 	<ol style="list-style-type: none"> 1. Reduzca la carga (vea “Cómo usar el generador.”). 2. Limpie o sustituya el filtro de aire. 3. Comuníquese con un concesionario de servicio autorizado independiente. 4. Ajuste la palanca del cebador en la posición de sin cebado.
El motor funciona con velocidad irregular o falla momentáneamente.	<ol style="list-style-type: none"> 1. El cebador se abre demasiado temprano. 2. El carburador tiene mezcla muy rica o muy pobre. 	<ol style="list-style-type: none"> 1. Ajuste el cebador en posición media hasta que el motor funcione suavemente. 2. Comuníquese con un concesionario de servicio autorizado independiente.

Núm. de pieza 0L3561 Rev. B 31/08/15 Impreso en EE. UU.
Las especificaciones están sujetas a cambios sin aviso.
No se permite la reproducción bajo ninguna forma sin previo
consentimiento escrito de DeWalt.

DEWALT Industrial Tool Co.
701 East Joppa Road
Baltimore, MD 21286, EE. UU.
1-888-431-6871
www.dewalt.com

Si vous avez des questions ou des commentaires, n'hésitez

1 888 431-6871 • dewalt.com

MANUEL D'INSTRUCTIONS

DEWALT®

Générateur DXGNR 7000



Avant d'utiliser ce produit, lisez et observez les instructions qui suivent afin de réduire les risques de blessures.

⚠ AVERTISSEMENT

Proposition 65 de l'État de la Californie. L'échappement du moteur et certains de ses composants sont reconnus par l'État de la Californie comme pouvant causer le cancer, des anomalies congénitales ou d'autres dommages au système reproductif. (000004)



⚠ AVERTISSEMENT

Proposition 65 de l'État de la Californie. Ce produit contient ou émet des produits chimiques reconnus par l'État de la Californie comme pouvant causer le cancer, des anomalies congénitales ou d'autres dommages au système reproducteur. (000005)

Sécurité	1
Directives et définitions relatives à la sécurité	1
Règles de sécurité	1
Accessoires	4
Renseignements pour le service	4
Réparations	4
Remplacement gratuit des étiquettes de mise en garde	4
Assemblage	5
Déballage	5
Installation des trousseaux d'accessoires	5
Remplacement ou branchement de la batterie	5
Renseignements relatifs aux émissions	6
Fonctionnement	7
Connaître le générateur	7
Fiches de branchement	8
Mode d'emploi du générateur	8
Connaître les limites du générateur	9
Guide de référence de la puissance nominale	9
Avant de démarrer le générateur	10
Démarrage d'un moteur à démarrage manuel	11
Démarrage d'un moteur à démarrage électrique	11
Démarrage manuel	12
Arrêt du générateur	12
Système d'arrêt en cas de niveau d'huile bas	12
Chargement de la batterie (démarrages électriques uniquement)	12
Entretien	13
Recommandations en matière d'entretien	13
Calendrier d'entretien	13
Caractéristiques techniques du produit	13
Entretien préventif	14
Entretien du moteur	14
Remplacement ou branchement de la batterie	15
Jeu des soupapes	16
Inspectez l'écran pare-étincelles (modèles CARB)	16
Entreposage	16
Dépannage	17

Page laissée en blanc intentionnellement.

Directives et définitions relatives à la sécurité

⚠ DANGER	
L'utilisation d'un générateur à l'intérieur peut TUER UNE PERSONNE EN QUELQUES MINUTES. Les gaz d'échappement du générateur contiennent du monoxyde de carbone. Il s'agit d'un poison invisible et inodore.	
	
N'utilisez JAMAIS cet appareil à l'intérieur d'une maison ou d'un garage, MÊME si les portes et les fenêtres sont ouvertes.	N'utilisez l'appareil qu'à l'EXTÉRIEUR, loin des fenêtres, des portes et des conduits d'aération.

000657

Le présent manuel d'instructions contient des renseignements importants. Vous devez bien comprendre ces renseignements pour faire fonctionner ce générateur correctement, efficacement et en toute sécurité. Tous les opérateurs, les utilisateurs et les propriétaires ultérieurs de ce générateur doivent lire et comprendre toutes les instructions avant de faire fonctionner le générateur. Conservez ces consignes à titre de référence.

Pour vous aider à repérer les informations importantes pour VOTRE SÉCURITÉ et la PRÉVENTION DES PANNES, nous utilisons les symboles ci-dessous.

⚠ DANGER Indique une situation dangereuse imminente, qui, si elle n'est pas évitée, entraînera la mort ou des blessures graves.

⚠ AVERTISSEMENT Indique une situation dangereuse possible qui, si elle n'est pas évitée, pourrait entraîner la mort ou des blessures graves.

⚠ MISE EN GARDE Indique une situation dangereuse possible qui, si elle n'est pas évitée, pourrait entraîner des blessures légères ou moyennement graves.

AVIS : Indique une pratique qui, sans provoquer de blessures, peut endommager les biens si elle n'est pas évitée.

Règles de sécurité

SILENCIEUX PARE-ÉTINCELLES
Certains États ou autres territoires exigent que les équipements motorisés soient dotés d'un silencieux pare-étincelles, selon le modèle de votre générateur. Si la présence d'un silencieux pare-étincelles est exigée dans votre région et que celui de votre générateur ne protège pas contre les étincelles, contactez votre fournisseur local pour obtenir des directives concernant une installation après l'achat.

PARE-ÉTINCELLES
Si le produit doit être utilisé près de matériaux inflammables, des récoltes, des produits de la forêt, des broussailles, de l'herbe ou d'autres matériaux semblables, vous devriez installer un pare-étincelles approuvé. En Californie, vous avez d'ailleurs l'obligation de le faire. Les articles 13005(b), 4442 et 4443 des dispositions législatives de l'État de la Californie exigent l'installation d'un pare-étincelles. L'utilisation d'un pare-étincelles représente également une exigence sur les territoires gérés par certains services forestiers des États-Unis. Elle peut en outre être obligatoire en fonction d'autres dispositions législatives et règlements. Un pare-étincelles approuvé est offert par nos revendeurs de produits. On peut également le commander auprès de DEWALT Industrial Tool Co., 701 East Joppa Road, Baltimore, MD 21286. 1 888 431-6871.

SYSTÈME DE CONTRÔLE DES ÉMISSIONS DE L'ÉCHAPPEMENT
Le système de contrôle des émissions de l'échappement de ce générateur est conforme aux normes fixées par le California Air Resources Board (CARB) et la Environmental Protection Agency (EPA) des États-Unis. Les fabricants des moteurs administrent eux-mêmes la garantie de leur système de contrôle des émissions de l'échappement. Reportez-vous à la documentation du moteur pour obtenir des renseignements sur la garantie.

⚠ AVERTISSEMENT
L'échappement du moteur de ce produit contient des produits chimiques reconnus par l'État de la Californie comme pouvant causer le cancer, des anomalies congénitales ou d'autres problèmes reproducteurs.

RISQUE D'ASPHYXIE

⚠ DANGER N'UTILISEZ PAS CE GÉNÉRATEUR DANS UN ESPACE CONFINÉ.

L'ÉCHAPPEMENT DE CE GÉNÉRATEUR ÉMET DU MONOXYDE DE CARBONE, UN GAZ MORTEL. L'EXPOSITION AU MONOXYDE DE CARBONE PEUT PROVOQUER UNE INTOXICATION, DES MAUX DE TÊTE, DES NAUSÉES, DES MALADIES GRAVES ET MÊME LA MORT.

RISQUE D'ÉLECTROCUTION OU DE CHOC

⚠ DANGER CE GÉNÉRATEUR PRODUIT UN COURANT ÉLECTRIQUE. PAR CONSÉQUENT, PLUSIEURS CONSIGNES DE SÉCURITÉ DOIVENT ÊTRE SUIVIES. L'UTILISATION INAPPROPRIÉE DE CE GÉNÉRATEUR PEUT ENTRAÎNER UNE ÉLECTROCUTION, DES BLESSURES ET MÊME LA MORT. N'UTILISEZ PAS CE GÉNÉRATEUR, N'EN FAITES PAS L'ENTRETIEN ET NE TENTEZ PAS DE LE RÉPARER, SAUF SI VOUS ÊTES ENTIÈREMENT QUALIFIÉ POUR LE FAIRE.

⚠ DANGER CE GÉNÉRATEUR EST CONÇU POUR ÊTRE UTILISÉ DANS UN ENVIRONNEMENT SEC ET À L'EXTÉRIEUR SEULEMENT. N'UTILISEZ JAMAIS CE GÉNÉRATEUR À L'INTÉRIEUR. N'UTILISEZ JAMAIS CE GÉNÉRATEUR SOUS LA PLUIE, DANS LA NEIGE, LE GRÉSIL OU DANS DES CONDITIONS GÉNÉRALEMENT HUMIDES. UNE ÉLECTROCUTION PEUT ENTRAÎNER DES DOMMAGES AU GÉNÉRATEUR, OCCASIONNER DES BLESSURES ET MÊME CAUSER LA MORT.

⚠ DANGER SI CE GÉNÉRATEUR EST BRANCHÉ AU CIRCUIT D'UN ÉDIFICE, D'UNE RÉSIDENCE, D'UNE ENTREPRISE OU À TOUT AUTRE CIRCUIT ÉLECTRIQUE ALIMENTÉ PAR LES SERVICES PUBLICS, DES MESURES DOIVENT ÊTRE PRISES POUR S'ASSURER QUE LA SORTIE DU GÉNÉRATEUR ET LE CIRCUIT ÉLECTRIQUE SONT ISOLÉS DE MANIÈRE SÉCURITAIRE. CETTE ISOLATION EST GÉNÉRALEMENT RÉALISÉE AU MOYEN D'UN COMMUTATEUR DE TRANSFERT CORRECTEMENT INSTALLÉ. LE DÉFAUT D'ISOLER LES SYSTÈMES ÉLECTRIQUES DU GÉNÉRATEUR ET DES SERVICES PUBLICS PEUT ENTRAÎNER DES DOMMAGES AU GÉNÉRATEUR ET PEUT CAUSER DES BLESSURES OU LA MORT DE TRAVAILLEURS DES SERVICES PUBLICS À LA SUITE D'UN RETOUR DE TENSION ÉLECTRIQUE.

⚠ DANGER POUR ÉVITER TOUT RETOUR DE TENSION DANS LES SYSTÈMES DE SERVICES PUBLICS, L'ISOLEMENT DE L'INSTALLATION ÉLECTRIQUE DE LA RÉSIDENCE EST NÉCESSAIRE. AVANT DE BRANCHER UN GÉNÉRATEUR AU SYSTÈME ÉLECTRIQUE D'UNE RÉSIDENCE, ASSUREZ-VOUS D'ÉTEINDRE L'INTERRUPTEUR PRINCIPAL. AVANT D'EFFECTUER DES BRANCHEMENTS PERMANENTS, UN COMMUTATEUR DE TRANSFERT BIDIRECTIONNEL DOIT ÊTRE INSTALLÉ. POUR ÉVITER L'ÉLECTROCUTION OU DES DÉGÂTS MATÉRIELS, SEUL UN ÉLECTRICIEN QUALIFIÉ DOIT BRANCHER LE GÉNÉRATEUR AU SYSTÈME ÉLECTRIQUE D'UNE RÉSIDENCE. LES LOIS DE L'ÉTAT DE LA CALIFORNIE EXIGENT QUE L'ISOLEMENT DU SYSTÈME ÉLECTRIQUE D'UNE RÉSIDENCE SOIT RÉALISÉ AVANT D'Y BRANCHER UN GÉNÉRATEUR. LE BRANCHEMENT TEMPORAIRE N'EST PAS RECOMMANDÉ EN RAISON DES RISQUES DE RETOUR DE TENSION.

CONFORMEZ-VOUS TOUJOURS AUX CODES ET RÉGLEMENTS DE VOTRE RÉGION QUI SONT APPLICABLES À L'INSTALLATION DE TOUT ARTICLE LIÉ À CE PRODUIT.

1. NFPA 70 – Code national de l'électricité
2. NFPA 37 – Norme d'installation et d'utilisation de moteurs stationnaires à combustible
3. Agricultural Wiring handbook of Farm Standby Electric Power (Manuel de câblage pour les installations électriques complémentaires de la ferme).

⚠ DANGER NE MODIFIEZ PAS VOTRE GÉNÉRATEUR ET N'EN FAITES PAS UNE UTILISATION INAPPROPRIÉE. UNE UTILISATION DU GÉNÉRATEUR AUTRE QUE CELLE PRÉVUE POURRAIT CAUSER DES DOMMAGES À L'ENSEMBLE DU GÉNÉRATEUR, DES BLESSURES CORPORELLES OU MÊME LA MORT PAR ÉLECTROCUTION.

⚠ DANGER NE TOUCHEZ JAMAIS À UNE PRISE OU UN FIL NU. VOUS POURRIEZ PRENDRE UN CHOC OU ÊTRE ÉLECTROCUTÉ.

RISQUE DE FEU OU D'EXPLOSION

⚠ AVERTISSEMENT ASSUREZ-VOUS D'AVOIR TOUJOURS UN DÉGAGEMENT D'AU MOINS 1,83 MÈTRE (6 PIEDS) AUTOUR DU GÉNÉRATEUR LORSQU'IL FONCTIONNE. UN DÉGAGEMENT MOINS IMPORTANT POURRAIT CAUSER DES DOMMAGES AU GÉNÉRATEUR ET PROVOQUER UN INCENDIE.

⚠ AVERTISSEMENT L'ESSENCE EST UNE SUBSTANCE HAUTEMENT INFLAMMABLE, ET SES VAPEURS SONT EXPLOSIVES. UNE MANUTENTION INCORRECTE DE L'ESSENCE PEUT PROVOQUER UNE EXPLOSION OU UN INCENDIE. NE PERMETTEZ À PERSONNE DE FUMER DANS UN PÉRIMÈTRE DE 15,25 MÈTRES (50 PIEDS) AUTOUR DU GÉNÉRATEUR.

⚠ AVERTISSEMENT NE REMPLISSEZ JAMAIS LE RÉSERVOIR DE CARBURANT LORSQUE LE GÉNÉRATEUR EST CHAUD. NE REMPLISSEZ JAMAIS LE RÉSERVOIR DE CARBURANT LORSQUE LE GÉNÉRATEUR EST EN MARCHÉ. UN DÉVERSEMENT DE CARBURANT SUR LE MOTEUR OU LE GÉNÉRATEUR POURRAIT ENTRAÎNER UNE EXPLOSION OU UN INCENDIE. LAISSEZ TOUJOURS AU GÉNÉRATEUR LE TEMPS DE SE REFROIDIR AVANT DE REMPLIR LE RÉSERVOIR.

⚠ AVERTISSEMENT N'ENTREPOSEZ PAS CE GÉNÉRATEUR DANS UN ESPACE OÙ LES VAPEURS D'ESSENCE POURRAIENT ENTRER EN CONTACT AVEC DES ÉTINCELLES, UNE VEILLEUSE OU UNE FLAMME NUE. UN ENTREPOSAGE INADÉQUAT DE CE GÉNÉRATEUR POURRAIT ENTRAÎNER UNE EXPLOSION OU UN INCENDIE.

⚠ AVERTISSEMENT INSPECTEZ RÉGULIÈREMENT LE PARE-ÉTINCELLES. DANS CERTAINES RÉGIONS, L'INSTALLATION DE PARE-ÉTINCELLES EST OBLIGATOIRE AFIN DE RÉDUIRE AU MINIMUM LES RISQUES D'INCENDIE DUS AUX ÉTINCELLES ÉMISES PAR L'ÉCHAPPEMENT.

⚠ AVERTISSEMENT N'UTILISEZ PAS CE GÉNÉRATEUR SI LA TEMPÉRATURE AMBIANTE DÉPASSE 40 °C (104 °F).

⚠ AVERTISSEMENT NE DÉPASSEZ PAS LA CAPACITÉ NOMINALE DE CE GÉNÉRATEUR. LA SOMME DES CHARGES ÉLECTRIQUES DE CHAQUE PRISE DÉTERMINE LA CHARGE ÉLECTRIQUE TOTALE. LA CHARGE TOTALE NE DOIT PAS DÉPASSER LA CAPACITÉ NOMINALE ÉTABLIE POUR LE GÉNÉRATEUR. SI CERTAINS APPAREILS ALIMENTÉS N'AFFICHENT QUE L'INTENSITÉ DE COURANT (AMPÈRES) SANS AFFICHER LA PUISSANCE NOMINALE (WATTS), CETTE PUISSANCE NOMINALE PEUT ÊTRE DÉTERMINÉE EN MULTIPLIANT L'INTENSITÉ PAR LA TENSION (WATTS = AMPÈRES X VOLTS).

SÉCURITÉ GÉNÉRALE

Conformez-vous toujours aux codes nationaux et locaux de l'électricité qui touchent les générateurs. Les codes locaux et nationaux ont préséance sur les règlements ou les renseignements fournis dans le présent manuel.

AVERTISSEMENT REPORTEZ-VOUS AUX CODES NATIONAUX ET LOCAUX DE L'ÉLECTRICITÉ POUR DÉTERMINER LES EXIGENCES DE MISE À LA TERRE. CES EXIGENCES PEUVENT VARIER SELON L'APPLICATION. LE GÉNÉRATEUR EST RELIÉ À LA TERRE DE MANIÈRE INTERNE PAR UN CONDUCTEUR NEUTRE ATTACHÉ AU CADRE. AUX ENDROITS OÙ UNE MISE À LA TERRE EXTERNE EST EXIGÉE, UN BRANCHEMENT DOIT ÊTRE FAIT ENTRE LE GÉNÉRATEUR ET UNE PRISE DE TERRE SOLIDE. UNE LONGUEUR ININTERROMPUE DE CÂBLE EN CUIVRE SANS ÉPISSAGE D'UN CALIBRE ATTEIGNANT AU MOINS 6 AWG DOIT ÊTRE UTILISÉE POUR LE CONDUCTEUR.

- Lors du déplacement ou du transport du générateur, il faut prendre les mesures nécessaires pour éviter les fuites de carburant. En outre, utilisez toujours le bon sens lorsqu'il faut lever ce générateur. Un nombre de personnes suffisant et une méthode de levage appropriée doivent être utilisés.
- Ne couvrez pas le générateur lorsqu'il est en marche ou immédiatement après l'arrêt. Laissez toujours au générateur le temps de se refroidir avant de le couvrir.
- N'utilisez ce générateur que s'il est en bon état mécanique et électrique.
- Gardez toujours vos mains, vos cheveux, les autres parties de votre corps et vos vêtements loin des pièces rotatives du générateur.
- Ne démarrez pas ce générateur lorsque certains des appareils branchés sont en position « Marche » (On). Assurez-vous toujours que les appareils connectés au générateur sont débranchés ou en position « Arrêt » (Off) avant de démarrer le générateur.
- Il est possible que les générateurs sur des lieux de travail comme les chantiers de construction doivent obligatoirement être équipés d'une prise DDFT (disjoncteur différentiel de fuite à la terre).
- Utilisez uniquement des rallonges de mise à la terre en bon état, et assurez-vous que la dimension du câble des rallonges soit suffisante pour prendre en charge la puissance du générateur en sortie.
- Ne manipulez jamais des rallonges ou des circuits électriques si vous vous tenez dans l'eau ou dans un espace humide.

RISQUE DE BLESSURE CORPORELLE

AVERTISSEMENT GARDEZ VOS MAINS, VOS CHEVEUX, LES AUTRES PARTIES DE VOTRE CORPS ET VOS VÊTEMENTS LOIN DES PIÈCES « CHAUDES » DU GÉNÉRATEUR PENDANT ET APRÈS SON UTILISATION. L'ENSEMBLE DU GÉNÉRATEUR – ET EN PARTICULIER LE SYSTÈME D'ÉCHAPPEMENT – PEUT RESTER TRÈS CHAUD, MÊME APRÈS L'ARRÊT DU GÉNÉRATEUR.

AVERTISSEMENT NE MODIFIEZ PAS LE RÉGIME DU MOTEUR. LE GÉNÉRATEUR FONCTIONNE À UN RÉGIME MOTEUR NOMINAL DE 3 600 TR/MIN. UNE AUGMENTATION DU RÉGIME MOTEUR AU-DELÀ DU RÉGIME NOMINAL DE 3 600 TR/

MIN MULTIPLIE LES RISQUES DE BLESSURES CAUSÉES PAR DES CONTRAINTES DE ROTATION SUR LES ÉLÉMENTS ROTATIFS. L'UTILISATION DU GÉNÉRATEUR À UN RÉGIME MOTEUR INFÉRIEUR AU RÉGIME NOMINAL DE 3 600 TR/MIN POURRAIT CAUSER DES DOMMAGES AU GÉNÉRATEUR OU AUX APPAREILS QU'IL ALIMENTE, EN RAISON D'UNE SORTIE DE BASSE TENSION.

SÉCURITÉ RELATIVE À LA BATTERIE

AVERTISSEMENT LES BATTERIES RECHARGEABLES PRODUISENT ET LIBÈRENT DE L'HYDROGÈNE GAZEUX EXPLOSIF LORS DE LA RECHARGE. LA MOINDRE ÉTINCELLE, FLAMME OU CENDRE BRÛLANTE PEUT ENFLAMMER CES GAZ ET PROVOQUER UNE GRAVE EXPLOSION POUVANT ENTRAÎNER LA CÉCITÉ OU D'AUTRES BLESSURES GRAVES. PORTEZ DES LUNETTES DE PROTECTION, UN TABLIER DE CAOUTCHOUC ET DES GANTS DE CAOUTCHOUC LORSQUE VOUS TRAVAILLEZ PRÈS D'UNE BATTERIE OU LORSQUE VOUS FAITES L'ENTRETIEN DE LA BATTERIE. LE LIQUIDE DE LA BATTERIE EST UN ACIDE SULFURIQUE EXTRÊMEMENT CAUSTIQUE POUVANT CAUSER DE GRAVES BRÛLURES. DÉBRANCHEZ TOUJOURS LE CÂBLE NÉGATIF (-) DE LA BATTERIE AVANT D'EFFECTUER L'ENTRETIEN DE LA BATTERIE OU AVANT DE RÉALISER TOUT ENTRETIEN ÉLECTRIQUE SUR LE GÉNÉRATEUR OU LE MOTEUR.

PROTECTION DE L'ENVIRONNEMENT

MISE EN GARDE INSPECTEZ LE SYSTÈME D'ÉCHAPPEMENT RÉGULIÈREMENT POUR VOUS ASSURER QU'IL FONCTIONNE CORRECTEMENT. LES SYSTÈMES D'ÉCHAPPEMENT QUI FUIENT AUGMENTENT LE NIVEAU DE BRUIT.

MISE EN GARDE DIRIGEZ LES CÔTÉS PLUS BRUYANTS DU GÉNÉRATEUR VERS DES ESPACES OUVERTS, CE QUI ÉVITERA D'AMPLIFIER LE SON PAR LA RÉVERBÉRATION SUR LES MURS OU LES BÂTIMENTS.

AVIS : NE VIDANGEZ NI NE JETEZ JAMAIS L'HUILE MOTEUR DANS LE SYSTÈME D'EAUX USÉES DOMESTIQUE OU AU SOL.

LEVAGE OU SUSPENSION DU GÉNÉRATEUR

AVERTISSEMENT Utilisez toujours des câbles, des chaînes ou des sangles en mesure de soutenir une charge de 907 kg (2 000 lb) ou plus pour monter ou suspendre le générateur.

AVERTISSEMENT Ne faites jamais fonctionner le générateur pendant qu'il est suspendu. Cela pourrait causer des dommages matériels, des blessures graves ou la mort.

AVERTISSEMENT Assurez-vous que toutes les attaches et tous les crochets sont bien serrés.

AVIS : Assurez-vous que le générateur est de niveau avant de le faire monter ou de le suspendre pour éviter que des dommages se produisent.

Accessoires

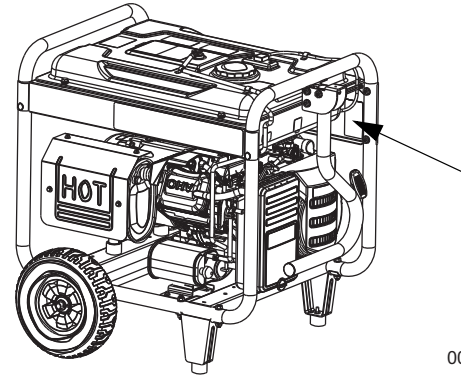
Les accessoires recommandés pour l'utilisation avec votre outil sont offerts chez votre revendeur local ou dans un centre de service agréé. Si vous avez besoin d'aide dans la recherche d'un accessoire particulier pour votre outil, veuillez contacter DEWALT Industrial Tool Co., 701 East Joppa Road, Baltimore, MD 21286, ou appelez le 1 888 431-6871. Vous pouvez aussi visiter notre site Web au www.dewalt.com.

- 006948 – Trousse de protection pour les yeux en cas de levage

Renseignements pour le service

Veuillez transcrire les renseignements suivants tels qu'ils apparaissent sur l'étiquette prévue pour tous les appels de service :

Numéro de modèle	
Numéro de série	
Date d'achat	
Endroit de l'achat	



000756

Réparations

Pour assurer la SÉCURITÉ et la FIABILITÉ du produit, les réparations, l'entretien et les réglages doivent être réalisés par un centre de service en usine DEWALT, un centre de service DEWALT agréé ou d'autres membres qualifiés de notre personnel d'entretien. Utilisez toujours des pièces de rechange identiques aux pièces remplacées.

Remplacement gratuit des étiquettes de mise en garde

Si vos étiquettes de mise en garde deviennent illisibles ou sont manquantes, composez le 1 888 431-6871 pour obtenir un remplacement gratuit.

⚠ DANGER

Using a generator indoors **CAN KILL YOU IN MINUTES**. Generator exhaust contains carbon monoxide. This is a poison you cannot see or smell.

NEVER use inside a home or garage, **EVEN IF** doors and windows are open.

Only use **OUTSIDE** and far away from windows, doors, and vents.

⚠ DANGER

Utiliser un générateur à l'intérieur **PEUT VOUS TUER EN QUELQUES MINUTES**. Les gaz d'échappement du générateur contiennent du monoxyde de carbone. C'est un gaz toxique invisible et inodore.

- **NE JAMAIS** utiliser à l'intérieur d'une maison ou d'un garage, **MÊME SI** les portes et les fenêtres sont ouvertes.
- Utiliser **UNIQUEMENT** à l'EXTÉRIEUR et loin des fenêtres, portes et ventilations.

⚠ PELIGRO

Si usa un generador en interiores, **MORIRÁ EN POCOS MINUTOS**. El escape del generador contiene monóxido de carbono. Es un veneno que no tiene olor ni se puede ver.

- **NUNCA** lo use dentro de una casa o garaje, **AUN** si las puertas y ventanas están abiertas.
- Sólo úselo **EN EXTERIORES** y lejos de ventanas, puertas y ductos de ventilación.

<p>CAUTION / WARNING</p> <p>Read Service Literature. Improper Operation of this equipment could result in property damage, serious injury or death. Total power drawn from all receptacles must not exceed the nameplate ratings.</p> <p>Breathing Hazard. Engine exhaust fumes can cause serious injury or death. Always operate generator outside and far away from windows, doors, & vents.</p> <p>Risk of Fire or Explosion. Always turn off and cool engine before adding fuel. Hot engine parts, sparks, or lit cigarettes can ignite gasoline. Store fuel away from generator.</p> <p>Hot Surfaces. Contact with hot generator and engine parts could cause serious injury. Allow adequate cool down time before servicing.</p> <p>Risk of Electrocution, Property damage. Connecting generator to a structure's electrical system should be done by a qualified electrician to prevent back-feed. Do not operate generator in wet conditions.</p> <p>Operational Warning - Never adjust throttle setting. Generator service and repair should only be performed by a qualified technician.</p>	<p>PRECAUCION / ALERTA</p> <p>Leer el manual de asistencia. El uso incorrecto puede provocar averías, lesiones graves o muerte. La carga total desinada de todas tomas no doit pas dépasser les limites indiquées de plaques.</p> <p>Peligro de inhalación. Los gases de escape del motor pueden provocar lesiones graves e incluso muerte. Utilícelo únicamente A l'EXTERIEUR et loin des fenêtres, des portes et des conduits de ventilation.</p> <p>Peligro de fuego o explosión. Desconectar y dejar enfriar el motor antes de introducir el combustible. Las piezas calientes del motor, chispas o cigarrillos encendidos pueden inflamar el gasolina. Almacenar el combustible lejos del generador.</p> <p>Superficies calientes. El contacto con las piezas del motor y el generador calientes puede causar lesiones graves. Permitir el tiempo de refrigeración suficiente antes de la manipulación.</p> <p>Peligro de electrocución y avería. La conexión del generador a una instalación eléctrica debe realizarla un electricista cualificado para prevenir la retro-alimentación. No manipular el generador en condiciones de humedad.</p> <p>Precauciones de uso. No manipular el regulador de vueltas. La manutención y reparación deberá ser hecha a cabo un técnico cualificado.</p>	<p>ATTENTION / AVERTIR</p> <p>Lire attentivement la notice d'utilisation. Une mauvaise utilisation de ce matériel peut provoquer de sérieux dommages corporels et entraîner la mort. Le charge total dépassé de toutes receptacles ne doit excéder les valeurs nominales de la plaque d'identification.</p> <p>Risques d'inhalation. L'inhalation des gaz d'échappement des moteurs peut provoquer de graves dommages voire entraîner la mort. Use le generator seulement en l'EXTÉRIEUR et éloigné de las ventanas, las puertas y los respiraderos.</p> <p>Risques de feu ou d'explosion. Avant de mettre du fuel dans le moteur, l'arrêter et le faire refroidir impérativement avant toute intervention. Toute source de chaleur peut enflammer le combustible. Stocker le fuel dans un endroit isolé, à l'écart des groupes.</p> <p>Risque de brûlures. Tout contact avec le générateur ou le moteur peut provoquer de graves brûlures. Laissez refroidir avant la mise en service.</p> <p>Risques d'électrocution. Tout branchement du groupe à un système électrique doit être effectué par un électricien. Ne pas faire fonctionner dans un lieu humide.</p> <p>Attention ! Ne pas modifier le réglage de l'accélérateur. La mise en service et le service après-vente ne doivent être effectués que par un technicien spécialisé.</p>
-------------------------------------------------------------------------------------------------------------------------------------------------------------------------------------------------------------------------------------------------------------------------------------------------------------------------------------------------------------------------------------------------------------------------------------------------------------------------------------------------------------------------------------------------------------------------------------------------------------------------------------------------------------------------------------------------------------------------------------------------------------------------------------------------------------------------------------------------------------------------------------------------------------------------------------------------------------------------------------------------------------------------------------------------------------------------------------------------------------------------------------------------------------	-------------------------------------------------------------------------------------------------------------------------------------------------------------------------------------------------------------------------------------------------------------------------------------------------------------------------------------------------------------------------------------------------------------------------------------------------------------------------------------------------------------------------------------------------------------------------------------------------------------------------------------------------------------------------------------------------------------------------------------------------------------------------------------------------------------------------------------------------------------------------------------------------------------------------------------------------------------------------------------------------------------------------------------------------------------------------------------------------------------------------------------------------------------------------------------------------------------------------------------------------------------------------------------------------------------------------------------------------------	------------------------------------------------------------------------------------------------------------------------------------------------------------------------------------------------------------------------------------------------------------------------------------------------------------------------------------------------------------------------------------------------------------------------------------------------------------------------------------------------------------------------------------------------------------------------------------------------------------------------------------------------------------------------------------------------------------------------------------------------------------------------------------------------------------------------------------------------------------------------------------------------------------------------------------------------------------------------------------------------------------------------------------------------------------------------------------------------------------------------------------------------------------------------------------------------------------------------------------------------------------------------------------------------------------------------------------------------------------------------------------------------

Assemblage

Déballage

- Retirez tout le matériel d'emballage.
- Retirez la boîte contenant la trousse d'accessoires.
- Retirez le générateur de la boîte.

Accessoires

Comparez le contenu avec la liste dans le Tableau -1., et vérifiez s'il manque des pièces ou si certaines pièces sont endommagées; si un problème survient pendant l'assemblage, appelez la ligne d'assistance des générateurs au 1 888 436-6871.

Tableau -1. Contenu

Article	Qté
Générateur	1
Manuel de l'utilisateur	1
Carte d'enregistrement du produit (anglais, espagnol et français)	3
Garantie pour l'entretien et les émissions	1
Litre d'huile SAE 30	1
Chargeur de batterie (modèles à démarrage électrique)	1
Roues (A)	2
Pieds-supports du cadre (B)	2
Ensemble de la poignée (C)	1
Essieu (D)	1
Sac de quincaillerie	
Pieds caoutchoutés (E)	2
Goupilles fendues (F)	2
Rondelles plates de 1/2 po (G)	2
Boulons de carrosserie M8 (H)	2
Boulons M8 (long) (J)	4
Écrous hexagonaux à embase M8 (K)	8
Supports à essieu (L)	2
Boulons M6 (M)	4

Installation des trousse d'accessoires

Le générateur requiert un léger assemblage avant l'utilisation.

Outils requis

Vous aurez besoin des outils suivants :

- Deux clés polygonales de 8 mm, 10 mm, 12 mm et 13 mm

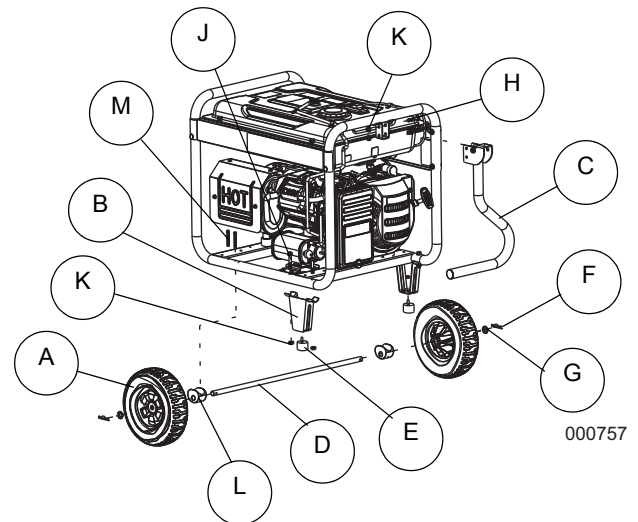
Installation de l'ensemble de roues (si le modèle en est équipé)

Les roues sont conçues spécialement pour améliorer la portabilité.

AVIS :

Les roues ne sont pas conçues pour être utilisées dans la rue.

1. Glissez les boulons M6 (M) dans les trous du longeron du cadre. Insérez-les dans le support à essieu (L).
2. Faites glisser l'essieu (D) dans le support à essieu (L), la roue (A) et les rondelles plates de 1/2 po (G). Insérez la goupille fendue (F) dans l'essieu (D).



Installation du pied-support du cadre et des protections caoutchoutées

1. Faites glisser le pied caoutchouté (E) dans le pied-support (B). Installez les écrous de blocage hexagonaux à embase (K).
2. Faites glisser le boulon M8 (J) dans les trous du longeron du cadre. Faites glisser le pied-support du cadre (B) sur les boulons M8. Installez les écrous de blocage hexagonaux à embase (K).

Installation de la poignée

1. Faites glisser le boulon de carrosserie M8 (H) dans le support de la poignée et l'ensemble de la poignée (C); insérez d'abord le boulon dans le trou carré de l'ensemble de la poignée (C)
2. Installez l'écrou hexagonal à embase M8 (K).

Remplacement ou branchement de la batterie

AVIS :

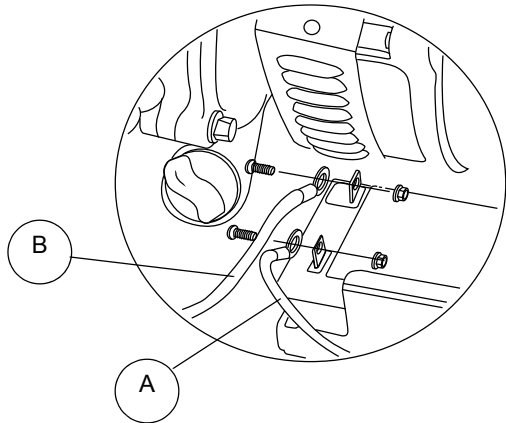
La batterie fournie avec le générateur est complètement chargée à la livraison.

Une batterie peut perdre une partie de sa charge lorsqu'elle n'est pas utilisée pendant de longues périodes. Si la batterie n'est pas en mesure de lancer le moteur, branchez le chargeur 12 V inclus dans la boîte d'accessoires. Voir la section **Chargement de la batterie (démarrages électriques uniquement)**.

IMPORTANT : La batterie ne se recharge pas lorsque le générateur fonctionne.

AVERTISSEMENT Démarrage accidentel. Lorsque vous travaillez sur l'appareil, débranchez le câble négatif de la batterie, puis le câble positif. Le non-respect de cette consigne pourrait entraîner la mort ou des blessures graves.

1. Débranchez D'ABORD la borne négative (-) de la batterie (A).
2. Débranchez ENSUITE la borne positive (+) de la batterie (B).



000224

3. Installez la nouvelle batterie. Installez le support de retenue et serrez.
4. Branchez D'ABORD la borne positive (+) de la batterie (B). Faites passer la gaine caoutchoutée par-dessus l'élément de connexion.
5. Branchez ENSUITE la borne négative (-) de la batterie (A).
6. Faites passer la gaine caoutchoutée par-dessus l'élément de connexion.

Renseignements relatifs aux émissions

La Environmental Protection Agency des États-Unis et le California Air Resource Board exigent, pour les générateurs certifiés selon les normes CA, que ces générateurs soient conformes aux normes d'émissions par échappement et par évaporation. Repérez l'étiquette contenant les informations au sujet de la conformité aux normes d'émissions apposée sur le moteur afin de déterminer les normes auxquelles le générateur satisfait et la garantie applicable. Ce générateur est certifié pour fonctionner à l'essence. Le système de contrôle des émissions comprend les composants suivants (selon le modèle) :

- Système d'induction d'air
 - Tuyau d'adduction/collecteur
 - Filtre à air
- Système de carburant
 - Carburateur
 - Réservoir/Bouchon de carburant
 - Conduites de carburant
 - Conduites d'évaporation
 - Cartouche de charbon
- Système d'allumage
 - Bougie d'allumage
 - Module d'allumage

- Système d'échappement
 - Collecteur d'échappement
 - Silencieux
 - Robinet d'air comprimé
 - Catalyseur

Fonctionnement

Connaître le générateur

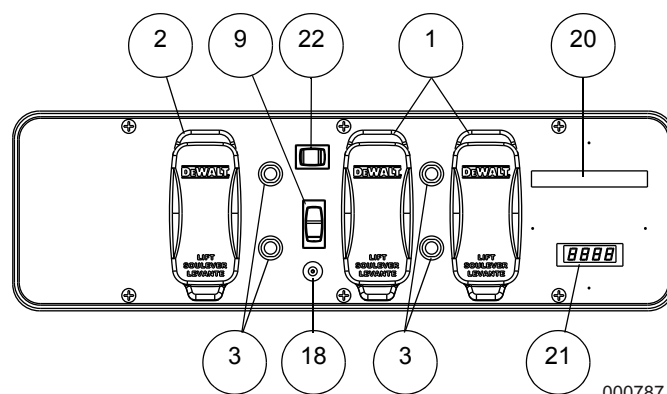
Lisez attentivement le manuel de l'utilisateur et les règles de sécurité avant d'utiliser le générateur. Conservez ce manuel à titre de référence.

Familiarisez-vous en profondeur avec l'emplacement de tous les composants.

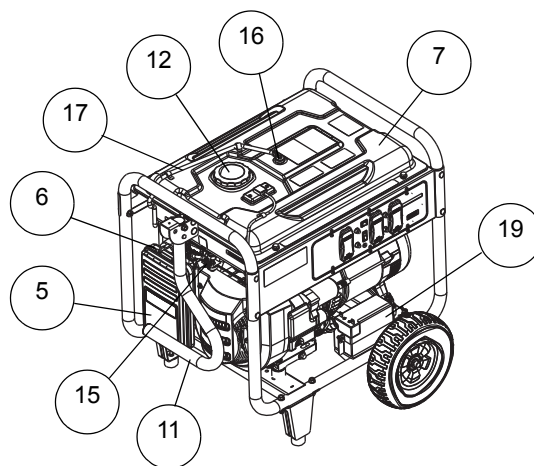
- 1. Prises de courant doubles de 120 V c.a., 20 A, avec disjoncteur de fuite à la terre** – Fournissent une alimentation électrique de 120 V c.a., 20 A pour une utilisation monophasée, un éclairage électrique de 60 Hz, pour l'appareil, l'outil et les charges de moteur. Elles fournissent également une protection grâce à un disjoncteur de fuite à la terre intégré et complet avec bouton « Test » et « Reset » (NEMA 5-20R).
- 2. Prise à verrouillage de 120/240 V c.a., 30 A** – Fournit une alimentation électrique pour le fonctionnement de charges d'éclairage électrique, d'appareils, d'outils et de moteurs de 120 ou 240 V c.a., 30 A, monophasées, de 60 Hz (NEMA L14-30R).
- 3. Disjoncteurs (CA)** – Chaque prise est munie d'un disjoncteur de type bouton-poussoir pour protéger le générateur des surcharges électriques.
- 4. Tuyau de vidange d'huile** – Pour effectuer la vidange d'huile du moteur.
- 5. Filtre à air** – Filtre l'air entrant alors qu'il est tiré dans le moteur.
- 6. Levier d'étrangleur** – À utiliser lorsque le moteur est démarré à froid.
- 7. Réservoir de carburant** – Voir la section Spécifications du produit pour connaître la capacité du réservoir.
- 8. Crosse de terre** – Pour mettre à la terre le générateur sur une terre approuvée. Voir **Mise à la terre du générateur s'il est utilisé comme unité portable** pour obtenir des renseignements détaillés.
- 9. Interrupteur Start/Run/Stop** (Démarrage/Marche/Arrêt) – Utilisé pour mettre le moteur en marche à l'aide du démarreur (modèles à démarrage électrique uniquement). Il doit être en position « Run » pour effectuer un démarrage manuel.
- 10. Silencieux** – Réduit le bruit du moteur.
- 11. Poignée** – Faire pivoter et retirer pour l'entreposage. Appuyer sur le bouton à ressort pour bouger les poignées.
- 12. Bouchon du réservoir à essence** – Emplacement pour le remplissage de carburant.
- 13. Entrée d'huile** – Entrée pour l'ajout et la vérification d'huile.
- 14. Lanceur à rappel** – À utiliser pour le démarrage manuel du moteur.
- 15. Robinet d'arrêt de carburant** – Robinet situé entre le réservoir de carburant et le carburateur.
- 16. Clapet anti-retour** – Transmet les vapeurs de carburant au moteur.
- 17. Tuyau de récupération** – Installé entre la cartouche de charbon et le robinet de transfert (le cas échéant).
- 18. Entrée du chargeur de batterie** – Cette prise permet de recharger la batterie rechargeable de 12 volts CC fournie avec l'adaptateur du chargeur (compris dans la boîte d'accessoires). À l'arrière de l'entrée du chargeur de batterie se trouve un fusible en ligne de 1,50 A situé à l'intérieur du panneau de commande afin de protéger la batterie (modèles à démarrage électrique uniquement).
- 19. Batterie** – Alimente le démarreur électrique (modèles dotés d'un système de démarrage électrique seulement).
- 20. Compteur de puissance** – Indique la quantité d'électricité utilisée par le générateur.
- 21. Afficheur de durée** – Indique brièvement le nombre total d'heures de fonctionnement de l'appareil, puis affiche la durée de fonctionnement possible selon la charge actuelle et la quantité de carburant restante.

AVIS : Utilisez l'appareil sur une surface plane pour favoriser l'exactitude de l'afficheur de durée.

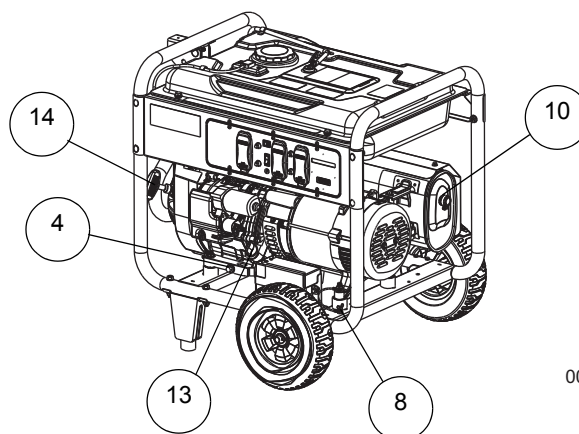
- 22. Interrupteur de commande de ralenti** – Fait fonctionner le moteur à régime normal (élevé) en présence d'une charge électrique et réduit automatiquement le moteur à un régime moins élevé en l'absence de charge. Le système peut également être désactivé afin de faire fonctionner le moteur à un régime plus élevé en tout temps.



000787



000786



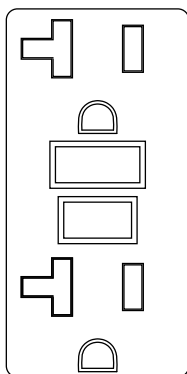
000788

Fiches de branchement

Prise de courant double de 120 V c.a., 20 A, avec disjoncteur de fuite de terre

Il s'agit d'une prise de 120 volts protégée contre les surcharges par un disjoncteur à réarmement de type bouton-poussoir de 20 A. Utilisez chaque prise pour alimenter des charges électriques de 120 V c.a., monophasées, 60 Hz nécessitant jusqu'à un total combiné de 2 400 watts (2,4 kW) ou 20 A de courant. Utilisez seulement des cordons à trois fils de haute qualité, bien isolés et avec mise à la terre dont les valeurs nominales sont de 125 V à 20 A (ou plus).

Gardez les rallonges électriques aussi courtes que possible afin d'éviter les chutes de tension et une surchauffe possible des fils.

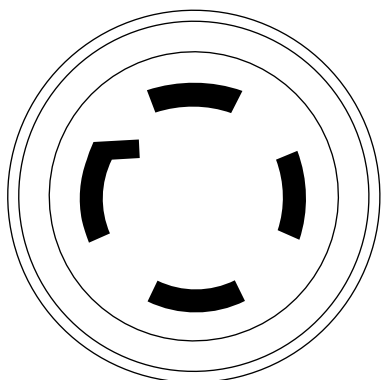


000203

Prise de courant de 120/240 V c.a., 30 A

Utilisez une fiche NEMA L14-30 avec cette prise (tournez pour verrouiller ou déverrouiller). Connectez un cordon d'alimentation amovible à quatre fils, avec mise à la terre, à la fiche et à la charge désirée. Le cordon doit être prévu pour 250 V c.a. à 30 A (ou plus).

Utilisez cette prise pour faire fonctionner des charges monophasées de 120 V c.a., 60 Hz, nécessitant jusqu'à 3 600 watts (3,6 kW) de puissance à 30 A ou des charges monophasées de 240 V c.a., 60 Hz, nécessitant jusqu'à 7 200 watts (7,2 kW) de puissance à 30 A. La sortie est protégée par deux disjoncteurs de 25 A (5,5 kW) ou de 30 A (6,5 kW) à bouton de réenclenchement, un interrupteur à bascule à deux pôles de 30 A ou deux disjoncteurs de type bouton-poussoir de 30 A (6,5/7,5 kW).



000204

Mode d'emploi du générateur

En cas de problème, appelez la ligne d'assistance des générateurs au 1 888 436-6871.

⚠ DANGER Ne faites jamais fonctionner le générateur dans un espace confiné ni à l'intérieur! N'utilisez JAMAIS cet appareil à l'intérieur d'une maison, d'un véhicule ni d'une zone partiellement fermée, comme un garage, MÊME SI les portes et les fenêtres sont ouvertes. Utilisez le générateur SEULEMENT à l'extérieur, à l'écart des fenêtres ouvertes, des portes et des conduits d'aération et dans un endroit où les gaz d'échappement mortels ne peuvent s'accumuler.

⚠ DANGER Les gaz d'échappement du moteur contiennent du monoxyde de carbone, un gaz invisible et inodore. Ce gaz toxique, s'il est respiré à des concentrations suffisantes, peut provoquer une perte de conscience ou même la mort.


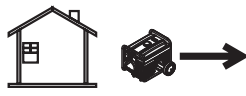
⚠ DANGER Une circulation d'air continue d'air pour le refroidissement et une ventilation adéquate sont essentielles pour le bon fonctionnement du générateur. Ne modifiez pas l'installation et ne permettez pas le blocage, même partiel, des dispositifs de ventilation, car cela pourrait sérieusement nuire au bon fonctionnement du générateur. Le générateur DOIT être utilisé à l'extérieur uniquement.

⚠ DANGER Le système d'échappement doit être entretenu convenablement. Ne faites rien qui pourrait rendre le système d'échappement dangereux ou non conforme aux normes ou aux codes locaux.

⚠ DANGER À l'intérieur, utilisez toujours un détecteur de monoxyde de carbone à pile. Veillez à ce qu'il soit installé conformément aux instructions du fabricant.

⚠ DANGER

L'utilisation d'un générateur à l'intérieur peut TUER UNE PERSONNE EN QUELQUES MINUTES. Les gaz d'échappement du générateur contiennent du monoxyde de carbone. Il s'agit d'un poison invisible et inodore.

 <p style="font-size: small; margin: 0;">N'utilisez JAMAIS cet appareil à l'intérieur d'une maison ou d'un garage, MÊME si les portes et les fenêtres sont ouvertes.</p>	 <p style="font-size: small; margin: 0;">N'utilisez l'appareil qu'à l'EXTÉRIEUR, loin des fenêtres, des portes et des conduits d'aération.</p>
--------------------------------------------------------------------------------------------------------------------------------------------------------------------------------------------------------------------------------------------------------------	-------------------------------------------------------------------------------------------------------------------------------------------------------------------------------------------------------------------------------------

000657

Mise à la terre du générateur s'il est utilisé comme unité portable

Un dispositif de mise à la terre de l'équipement relie les composants du châssis du générateur aux bornes de terre situées sur les prises de sortie c.a. On peut ainsi utiliser le générateur comme une unité portable sans devoir mettre le châssis à la terre, comme l'exige l'article 250.34 du NEC.

Conducteur neutre attaché au cadre.

Exigences spéciales

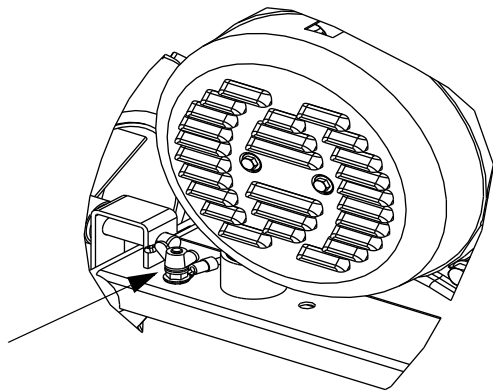
Des règlements de l'Occupational Safety and Health Administration (OSHA), des codes locaux ou des ordonnances pourraient s'appliquer à l'usage prévu pour le générateur.

Consultez un électricien qualifié, un inspecteur en électricité ou l'organisme local ayant autorité :

- Dans certaines régions, les générateurs doivent être enregistrés auprès des entreprises locales de services publics.
- Si le générateur est utilisé sur un chantier de construction, des règlements supplémentaires peuvent s'appliquer.

Branchement au système électrique d'un bâtiment

Utilisez un commutateur de transfert manuel lorsque vous branchez le générateur directement au système électrique d'un bâtiment. L'installation et le branchement doivent être effectués par un électricien qualifié, dans le strict respect de tous les codes de l'électricité et de toutes les lois applicables



000227

Connaître les limites du générateur

Le fait de surcharger un générateur en dépassant sa puissance nominale peut provoquer des dommages au générateur et aux appareils électriques qui y sont branchés. Respectez les règles suivantes pour éviter toute surcharge :

- Additionnez la puissance nominale de tous les appareils électriques qui seront branchés en même temps. Le total ne doit PAS dépasser la puissance nominale du générateur.
 - La puissance nominale de l'éclairage est indiquée sur les ampoules électriques. La puissance nominale des outils, des appareils et des moteurs est généralement indiquée sur une plaque signalétique ou sur un autocollant apposé sur l'appareil.
 - Si la puissance nominale de l'appareil, de l'outil ou du moteur n'est pas indiquée, multipliez le nombre de volts par le nombre d'ampères pour déterminer le nombre de watts (volts x ampères = watts).
 - Certains moteurs électriques, comme les moteurs à induction, nécessitent environ trois fois plus de watts de puissance pour démarrer que pour fonctionner. Cette surcharge ne dure que quelques secondes. Afin d'assurer une puissance de démarrage élevée pour tous les appareils électriques que vous branchez au générateur, procédez comme suit :
1. Calculez le nombre de watts nécessaires pour faire démarrer le plus gros moteur.
 2. Additionnez à ce nombre la puissance de fonctionnement de toutes les autres charges branchées.
 3. Voir la Sous-section Guide de référence de la puissance nominale pour connaître le nombre d'appareils que le générateur est en mesure de faire fonctionner en même temps.

AVIS :

Tous les nombres mentionnés sont approximatifs. Consultez la plaque signalétique de l'appareil pour connaître sa puissance nominale.

Guide de référence de la puissance nominale

Appareil	Puissance de fonctionnement (en watts)
*Climatiseur (12 000 BTU)	1700
*Climatiseur (24 000 BTU)	3800
*Climatiseur (40 000 BTU)	6000
Chargeur de batterie (20 A)	500
Ponceuse à courroie (3 po).....	1000
Scie à chaîne	1200
Scie circulaire (6,5 po).....	800 à 1 000
*Sécheuse (électrique).....	5750
*Sécheuse (au gaz).....	700
*Laveuse	1150
Cafetière	1750
*Compresseur (1 HP).....	2000
*Compresseur (3/4 HP).....	1800
*Compresseur (1/2 HP).....	1400
Fer à friser.....	700
*Déshumidificateur	650
Ponceuse à disque (9 po)	1200
Coupe-bordures.....	500
Couverture chauffante.....	400
Cloueuse électrique.....	1200
Cuisinière électrique (par élément).....	1500
Poêle à frir électrique.....	1250
*Congélateur.....	700
*Ventilateur d'un appareil de chauffage (3/5 HP)	875
*Ouvre-porte de garage.....	500 à 750
Séchoir à cheveux.....	1200
Perceuse à main.....	250 à 1 100
Taille-haie.....	450
Clé à chocs	500
Fer à repasser	1200
*Pompe à jet	800
Tondeuse	1200
Ampoule électrique	100
Four micro-ondes	700 à 1 000
*Réfrigérateur	1100
Brûleur à mazout d'un appareil de chauffage.....	300
Poêle à gaz (140 000 BTU)	400
Poêle à gaz (85 000 BTU).....	225
Poêle à gaz (30 000 BTU).....	150
*Pistolet à peinture, sans air (1/3 HP).....	600
Pistolet à peinture, sans air (portatif)	150
Radio.....	50 à 200
*Réfrigérateur	700
Cocotte mijoteuse.....	200
*Pompe immergée (1-1/2 HP)	2800
*Pompe immergée (1 HP).....	2000
*Pompe immergée (1/2 HP).....	1500
*Pompe de puisard.....	800 à 1 050
*Scie circulaire à table (10 po)	1 750 à 2 000
Télévision.....	200 à 500
Grille-pain.....	1 000 à 1 650
Tondeuse à fouet.....	500

* Calculez le triple du nombre de watts indiqué pour le démarrage de ces appareils.

Avant de démarrer le générateur

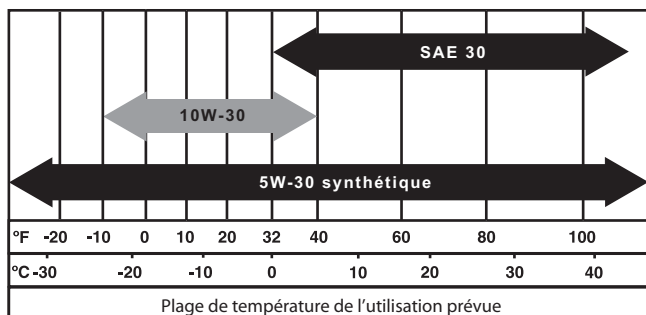
Ajoutez de l'huile à moteur et du carburant dans le générateur avant de l'utiliser. Procédez comme suit :

Ajout d'huile à moteur

L'huile doit répondre aux exigences minimales de l'American Petroleum Institute (API), classe de service SJ, SL ou supérieure. N'utilisez pas d'additifs spéciaux. Choisissez le degré de viscosité de l'huile en fonction de la température de fonctionnement prévue (voir aussi le tableau).

- Au-dessus de 40 °F : utilisez de l'huile SAE 30.
- En dessous de 40 °F et jusqu'à 10 °F : utilisez de l'huile 10W-30.
- À toutes les températures, utilisez de l'huile 5W-30 synthétique.

Utilisez une huile à base de pétrole pour le rodage du moteur avant d'utiliser une huile synthétique.



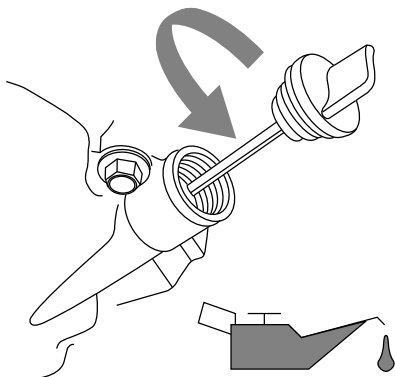
000399

MISE EN GARDE

Toute tentative de lancement ou de démarrage du moteur avant d'ajouter la quantité prévue de l'huile à moteur recommandée peut endommager le moteur.

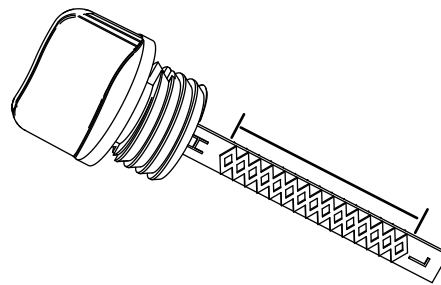
Vérifiez le niveau d'huile moteur avant chaque utilisation ou toutes les 8 heures de fonctionnement.

1. Installez le générateur sur une surface de niveau.
2. Nettoyez la zone entourant l'orifice de remplissage.
3. Retirez le bouchon-jaugeur de l'orifice et essuyez-le.



000115

4. Vissez le bouchon-jaugeur dans le goulot. Vérifiez que le niveau d'huile se situe dans la plage de fonctionnement sécuritaire, comme indiqué dans le graphique.



000116

5. Ajoutez la quantité nécessaire d'huile moteur recommandée.
6. Remplacez le bouchon-jaugeur, puis serrez-le à la main.

AVIS : Certains appareils comportent plus d'un emplacement pour le remplissage d'huile. Vous pouvez vous contenter d'utiliser un seul emplacement de remplissage d'huile.

Carburant

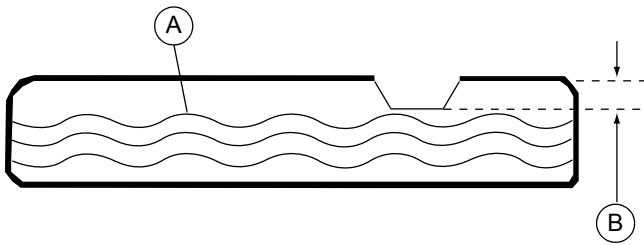
DANGER Ne remplissez jamais le réservoir de carburant quand vous vous trouvez à l'intérieur. Ne remplissez jamais le réservoir de carburant lorsque le moteur fonctionne ou qu'il est chaud. Ne renversez pas de carburant sur un moteur chaud. Laissez le moteur refroidir avant de remplir le réservoir de carburant.

DANGER Ne remplissez jamais le réservoir de carburant à ras bord. Laissez toujours de l'espace pour l'expansion du carburant. Si le réservoir est trop rempli, le carburant pourrait déborder sur un moteur chaud et provoquer un INCENDIE ou une EXPLOSION. Essayez immédiatement le carburant renversé.

DANGER L'essence est une substance hautement INFLAMMABLE, et ses vapeurs sont EXPLOSIVES. Ne laissez jamais personne fumer à proximité pendant que vous manipulez de l'essence et tenez-vous loin des flammes nues, des étincelles et de la chaleur.

Le carburant doit respecter les exigences suivantes :

- De l'essence propre, fraîche et sans plomb.
 - Un minimum de 87 octanes ou un indice d'octane d'au moins 87 (IOR de 91).
 - Un niveau d'éthanol (gazohol) allant jusqu'à 10 % est acceptable (l'essence super sans éthanol est recommandée si elle est offerte)
 - N'UTILISEZ PAS d'essence E85.
 - N'UTILISEZ PAS un mélange d'huile et d'essence.
 - Ne modifiez PAS le moteur afin qu'il puisse fonctionner avec d'autres types de carburants. Stabilisez le carburant avant l'entreposage.
1. Vérifiez que l'appareil est ÉTEINT et laissez-le refroidir pendant au moins deux minutes avant de faire le plein.
 2. Placez l'appareil sur un terrain de niveau dans un endroit bien aéré.
 3. Nettoyez la zone autour du bouchon du réservoir et enlevez le bouchon doucement.
 4. Ajoutez lentement le carburant recommandé (A). Ne dépassez pas le seuil de remplissage (B).
 5. Remplacez le bouchon du réservoir.



000400

AVIS :

Laissez s'évaporer le carburant renversé avant de démarrer l'appareil.

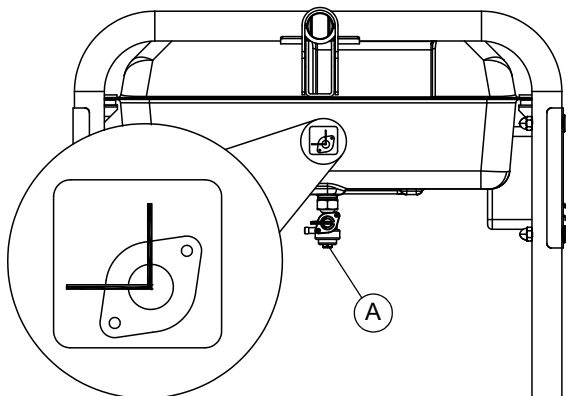
IMPORTANT : Il est important d'empêcher la formation, durant l'entreposage, de dépôts de gomme dans les parties du système recevant du carburant : le carburateur, le tuyau de carburant et le réservoir de carburant. Les carburants à base d'alcool (alco-essence, éthanol, méthanol) sont également susceptibles de capter l'humidité, ce qui mène à la séparation des composants et à la formation d'acides durant l'entreposage. Les gaz acides peuvent endommager le système de carburant d'un moteur pendant qu'il est entreposé. Pour éviter ces problèmes, le système de carburant doit être vidé avant tout entreposage de 30 jours ou plus. Voir la section [Entreposage](#). N'utilisez jamais de produits nettoyants pour moteur ou carburateur dans le réservoir de carburant, car vous risqueriez de l'endommager de façon permanente.

Démarrage d'un moteur à démarrage manuel

MISE EN GARDE

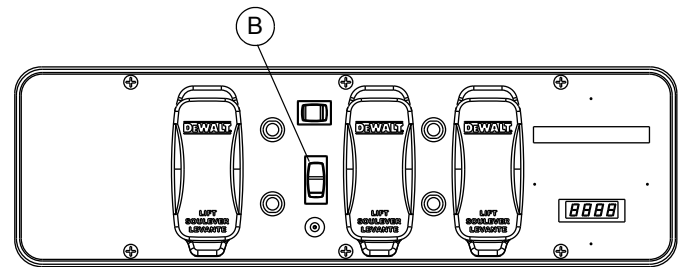
Domages aux biens et à l'équipement. Débranchez les charges électriques avant de démarrer ou d'arrêter l'appareil. Le non-respect de cette consigne pourrait causer des dommages aux biens et à l'équipement.

1. Débranchez toutes les charges électriques des prises de l'appareil avant de démarrer le moteur.
2. Installez le générateur sur une surface de niveau.
3. Ouvrez le robinet d'arrêt de carburant (A).



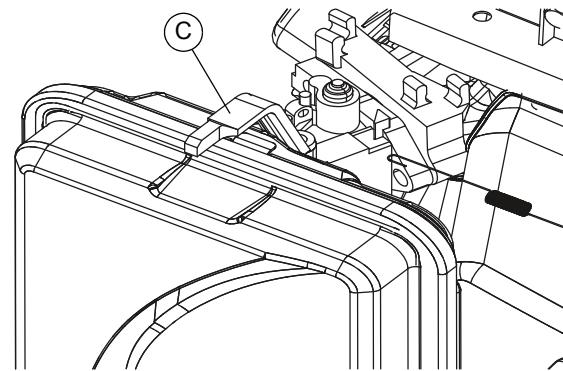
000208

4. Placez l'interrupteur « Run/Stop » (Marche/Arrêt) à « Run » (démarrage manuel seulement).



000787

5. Faites glisser l'étrangleur du moteur (C) à la position « Full Choke » (Plein étranglement) (vers la gauche).



000209

6. Saisissez fermement la poignée du lanceur à rappel et tirez lentement jusqu'à ce qu'une résistance accrue se fasse sentir. Tirez la poignée rapidement vers le haut et vers l'extérieur.
7. Après le démarrage du moteur, mettez le levier d'étrangleur en position « 1/2-choke » (1/2 étranglement) jusqu'à ce que le moteur se mette à fonctionner en douceur, puis mettez-le en position « Run » (Marche). Si le moteur faiblit, remettez le levier d'étrangleur en position « 1/2-choke » (1/2 étranglement) jusqu'à ce que le moteur se remette à fonctionner en douceur, puis mettez-le en position « Run » (Marche).
8. Si le moteur démarre, mais cesse de tourner, tirez le bouton de l'étrangleur à « Full Choke » (Plein étranglement) et répétez les instructions de démarrage.

IMPORTANT : Ne surchargez pas le générateur. Ne surchargez pas non plus les prises individuelles du tableau. Ces prises sont protégées contre les surcharges par des disjoncteurs de type bouton-poussoir. Si l'intensité nominale d'un disjoncteur est dépassée, celui-ci s'ouvre et l'alimentation électrique de la prise est coupée. Lisez attentivement la section « Ne pas surcharger le générateur ».

Démarrage d'un moteur à démarrage électrique

MISE EN GARDE

Domages aux biens et à l'équipement. Débranchez les charges électriques avant de démarrer ou d'arrêter l'appareil. Le non-respect de cette consigne pourrait causer des dommages aux biens et à l'équipement.

1. Débranchez toutes les charges électriques des prises de l'appareil avant de démarrer le moteur.
2. Installez le générateur sur une surface de niveau.
3. Ouvrez le robinet d'arrêt de carburant.
4. Déplacez la poignée d'étrangleur vers l'extérieur dans la position « Full Choke » (Plein étranglement)

- Placez l'interrupteur Start/Run/Stop (Démarrer/Marche/Arrêt) en position « Start » et maintenez-le à cet endroit. Lorsque le moteur démarre, relâchez l'interrupteur à la position « Run » (Marche).
- Après le démarrage du moteur, mettez le levier d'étrangleur en position « 1/2-choke » (1/2 étranglement) jusqu'à ce que le moteur se mette à fonctionner en douceur, puis mettez-le en position « Run » (Marche). Si le moteur faiblit, remettez le levier d'étrangleur en position « 1/2-choke » (1/2 étranglement) jusqu'à ce que le moteur se remette à fonctionner en douceur, puis mettez-le en position « Run » (Marche).

Démarrage manuel

Le générateur est équipé d'un lanceur à rappel (démarreur manuel) qui peut être utilisé si la batterie est déchargée.

AVIS : L'interrupteur doit être en position « Run » (Marche). Utilisez l'une des prises de courant du générateur avec le chargeur de batterie fourni pour charger la batterie pendant que le générateur est en marche.

Pour le démarrage manuel :

- Saisissez fermement la poignée du lanceur à rappel et tirez lentement jusqu'à ce qu'une résistance accrue se fasse sentir.
- Tirez rapidement la poignée vers le haut en l'éloignant de l'appareil pour démarrer le moteur.
- Effectuez la même séquence d'étranglement.

AVIS : Si le moteur démarre, mais cesse de tourner, tirez le bouton de l'étrangleur à « Full Choke » (Plein étranglement) et répétez les instructions de démarrage.

IMPORTANT : Ne surchargez pas le générateur et les prises individuelles du tableau. Ces sorties sont protégées de la surcharge par des disjoncteurs de type bouton-poussoir. Si l'intensité nominale d'un disjoncteur est dépassée, celui-ci s'ouvre et l'alimentation électrique de la prise est coupée. Lisez soigneusement la section [Connaître les limites du générateur](#).

Arrêt du générateur

MISE EN GARDE Dommages aux biens et à l'équipement. Débranchez les charges électriques avant de démarrer ou d'arrêter l'appareil. Le non-respect de cette consigne pourrait causer des dommages aux biens et à l'équipement.

- Mettez toutes les charges hors tension, puis débranchez les charges électriques des prises du tableau du générateur.
- Laissez le moteur tourner à vide pendant plusieurs minutes afin de stabiliser les températures internes du moteur et du générateur.
- Placez l'interrupteur « Run/Stop » (Marche/Arrêt) à « Stop ».
- Fermez le robinet de carburant.

AVIS : Si les conditions sont normales, fermez le robinet de carburant et permettez au générateur de vider le carburant de la cuve du carburateur. En cas d'urgence, appuyez sur « Stop » (Arrêt).

Système d'arrêt en cas de niveau d'huile bas

Le moteur est équipé d'un capteur qui l'arrête automatiquement lorsque l'huile descend au-dessous d'un certain niveau. Le moteur ne fonctionnera pas tant que le réservoir d'huile ne sera pas rempli jusqu'au bon niveau.

Si le moteur s'éteint et qu'il y a suffisamment de carburant, vérifiez le niveau d'huile du moteur.

Chargement de la batterie (démarrages électriques uniquement)

AVERTISSEMENT Risque d'explosion. Les batteries émettent des gaz explosifs quand elles se chargent. Gardez-les loin du feu et des étincelles. Portez de l'équipement de protection lorsque vous travaillez avec des batteries. Le non-respect de cette consigne pourrait entraîner la mort ou une blessure grave.

AVERTISSEMENT Risque de brûlures. Les batteries contiennent de l'acide sulfurique et peuvent causer de graves brûlures chimiques. Portez de l'équipement de protection lorsque vous travaillez avec des batteries. Le non-respect de cette consigne pourrait entraîner la mort ou une blessure grave.

AVIS : La batterie fournie avec le générateur est complètement chargée à la livraison.

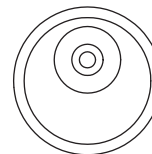
Une batterie peut perdre une partie de sa charge lorsqu'elle n'est pas utilisée pendant de longues périodes. Si la batterie n'est pas en mesure de faire tourner le moteur, branchez le chargeur de 12 V inclus dans la boîte d'accessoires. **LA BATTERIE NE SE RECHARGE PAS LORSQUE LE GÉNÉRATEUR FONCTIONNE.**

Utilisez la prise du chargeur de batterie pour maintenir la batterie chargée et prête à l'emploi. Les batteries doivent être chargées dans un endroit sec.

- Branchez le chargeur sur la prise d'entrée du chargeur de la batterie, située sur le tableau de commande. Branchez la fiche du chargeur de batterie dans une prise murale de 120 V c.a.
- Débranchez le chargeur de batterie de la prise murale et de la prise du tableau de commande lorsque le générateur doit être utilisé.

AVIS : N'utilisez pas le chargeur de batterie pendant plus de 48 heures de suite pour la même charge.

BATTERIE



ENTRÉE DU

000423

Entretien

Recommandations en matière d'entretien

Un entretien régulier permet d'améliorer les performances et de prolonger la durée de vie du générateur. Consultez un fournisseur qualifié pour effectuer l'entretien.

La garantie du générateur ne couvre pas les éléments ayant été soumis à une utilisation abusive ou à la négligence de l'utilisateur. Pour profiter pleinement de la garantie, l'utilisateur doit entretenir le générateur selon les instructions fournies dans le présent manuel et l'entreposer de la manière décrite aux sections Entreposage hivernal et Entreposage à long terme.

AVIS : Appelez au 1 888 431-6871 si vous avez des questions sur le remplacement de pièces.

Calendrier d'entretien

Conformez-vous aux intervalles du calendrier d'entretien; adoptez le premier entretien proposé en fonction de votre utilisation.

AVIS : Il est nécessaire de procéder à un entretien plus fréquent si l'appareil est utilisé dans des conditions difficiles.

AVIS : L'entretien et les ajustements devraient être effectués chaque saison, comme indiqué dans le tableau suivant.

Tâche d'entretien	Au besoin	À chaque utilisation	Chaque saison	Toutes les 100 heures	Toutes les 200 heures ou chaque année
Nettoyage des surfaces extérieures	X				
Vérification du niveau d'huile à moteur		X			
Vidange de l'huile à moteur*			X	X	
Nettoyage/remplacement du filtre à air**			X		X
Remplacement de la bougie			X		
Vérification/réglage du jeu des soupapes***			X		

* Changez l'huile à moteur après les **30 premières heures** de fonctionnement. Changez l'huile chaque mois si le générateur fonctionne sous de fortes charges ou à des températures élevées.

** Nettoyez le filtre à air plus souvent si le générateur est utilisé dans un environnement sale ou poussiéreux. Remplacez les pièces si elles ne peuvent être nettoyées correctement.

*** Vérifiez le jeu des soupapes après les **50 premières heures** de fonctionnement et ajustez-le au besoin.

Caractéristiques techniques du produit

Caractéristiques techniques du générateur	
Puissance nominale	7,0 kW**
Puissance de démarrage	8,75 kW
Tension nominale c.a.	120/240
Charge nominale c.a. Courant à 240 V Courant à 120 V	29,2 A** 58,3 A**
Fréquence nominale	60 Hz à 3600 tr/min.
Phase	Monophasé
Poids unitaire	90,7 kg (200 lb)
Dimensions	Lo = 692 mm (27,25 po) x La = 696 mm (27,4 po) x H = 724 mm (28,5 po)

** Plage de températures d'utilisation : -18 °C (0 °F) à 40 °C (104 °F). Lorsque le générateur est utilisé à une température supérieure à 25 °C (77 °F), la puissance peut être diminuée.

** La puissance et le courant maximaux sont soumis à plusieurs facteurs limitatifs : la teneur en BTU du carburant, la température ambiante, l'altitude, l'état du moteur, etc. La puissance maximale diminue d'environ 3,5 % pour chaque tranche d'élévation de 300 mètres au-dessus du niveau de la mer, et d'environ 1 % pour chaque incrément de 6 °C (10 °F) supérieur à une température ambiante de 16 °C (60 °F).

Caractéristiques techniques du moteur	
Cylindrée	420 cm3
Numéro de pièce de la bougie d'allumage	0J00620106
Type de bougie	NHSP LDF7TC
Écartement des électrodes	0,70-0,80 mm (0,028-0,031 po)
Capacité d'essence	28,4 l (7,5 gallons US)
Type d'huile	Consultez le graphique dans Avant de démarrer le générateur
Capacité en huile	1 Litre (1,06 pte)
Durée de fonctionnement à demi-charge	10,5 heures
Batterie	12 V CC, 10 A à l'heure

Entretien préventif

La saleté ou les débris peuvent entraîner un mauvais fonctionnement ou endommager l'équipement. Nettoyez le générateur tous les jours ou avant chaque utilisation. Gardez la zone autour du silencieux et à l'arrière de celui-ci libre de tout débris combustible. Inspectez toutes les ouvertures de refroidissement du générateur.



AVERTISSEMENT N'insérez aucun objet dans les fentes d'air de refroidissement. Le générateur peut démarrer à tout moment, ce qui

pourrait entraîner la mort, des blessures graves et des dommages à l'appareil.

- Essuyez les surfaces externes à l'aide d'un chiffon humide.
- Utilisez une brosse douce pour décoller les saletés, l'huile, etc.
- Ramassez les saletés et les débris à l'aide d'un aspirateur.
- De l'air à basse pression (pas plus de 25 psi) peut être utilisé pour souffler la saleté. Inspectez les fentes d'air de refroidissement et les ouvertures du générateur. Ces ouvertures doivent toujours être propres et non obstruées.

AVIS :

N'utilisez PAS un boyau d'arrosage pour nettoyer le générateur. De l'eau pourrait pénétrer dans le système de carburant du moteur et causer des problèmes. En outre, si de l'eau pénètre dans le générateur à travers les fentes d'air de refroidissement, elle pourrait rester prise dans les vides et les fissures de l'isolation du bobinage du rotor et du stator. L'accumulation d'eau et de poussière dans le bobinage interne du générateur diminue la résistance d'isolation de ces bobinages.

Entretien du moteur



AVERTISSEMENT Démarrage accidentel. Débranchez les câbles de bougie lorsque vous effectuez l'entretien de l'appareil. Le

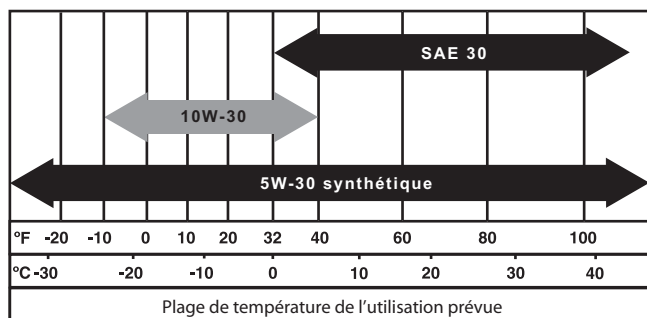
non-respect de cette consigne pourrait entraîner la mort ou des blessures graves.

Recommandations en matière d'huile moteur

L'huile doit répondre aux exigences minimales de l'American Petroleum Institute (API), classe de service SJ, SL ou supérieure. N'utilisez pas d'additifs spéciaux. Choisissez le degré de viscosité de l'huile en fonction de la température de fonctionnement prévue (voir aussi le tableau).

- Au-dessus de 40 °F : utilisez de l'huile SAE 30
- En dessous de 40 °F et jusqu'à 10 °F : utilisez de l'huile 10W-30
- À toutes les températures, utilisez de l'huile 5W-30 synthétique

Utilisez une huile à base de pétrole pour le rodage du moteur avant d'utiliser une huile synthétique.



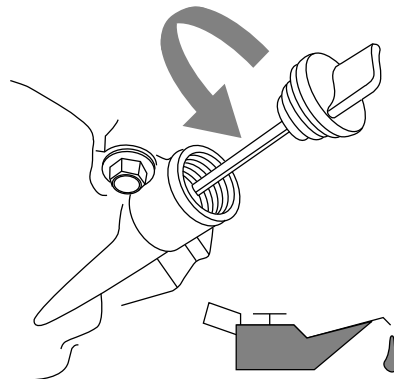
000399



MISE EN GARDE Toute tentative de lancement ou de démarrage du moteur avant d'ajouter la quantité prévue de l'huile à moteur recommandée peut endommager le moteur.

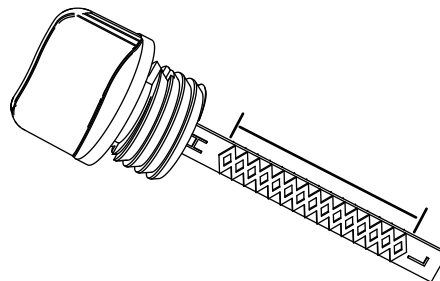
Vérifiez le niveau d'huile moteur avant chaque utilisation ou toutes les 8 heures de fonctionnement.

1. Installez le générateur sur une surface de niveau.
2. Nettoyez la zone entourant l'orifice de remplissage.
3. Retirez le bouchon-jaugeur de l'orifice et essuyez-le.



000115

4. Vissez le bouchon-jaugeur dans le goulot de remplissage. Vérifiez que le niveau d'huile se situe dans la plage de fonctionnement sécuritaire, comme indiqué dans le graphique.



000116

5. Ajoutez la quantité nécessaire d'huile moteur recommandée.
6. Remplacez le bouchon-jaugeur, puis serrez-le à la main.

AVIS :

Certains appareils comportent plus d'un emplacement pour le remplissage d'huile. Vous pouvez vous contenter d'utiliser un seul emplacement de remplissage d'huile.

Vidange de l'huile moteur



AVERTISSEMENT Démarrage accidentel. Débranchez les câbles de bougie lorsque vous effectuez l'entretien de l'appareil. Le non-respect

de cette consigne pourrait entraîner la mort ou des blessures graves.

Si vous utilisez votre générateur dans un environnement extrêmement sale ou poussiéreux, ou à des températures extrêmement chaudes, veillez à changer l'huile plus souvent.

AVIS :

Ne polluez pas. Ménagez les ressources. Rapportez l'huile usagée dans un centre de collecte.

Changez l'huile après avoir utilisé l'appareil, lorsque le moteur est encore chaud. Procédez de la manière suivante :

1. Installez le générateur sur une surface de niveau.

2. Débranchez le fil de la bougie d'allumage et placez-le de manière à ce qu'il ne puisse pas entrer en contact avec la bougie.
3. Nettoyez la zone autour de l'orifice de remplissage d'huile et du bouchon de vidange d'huile.
4. Retirez le bouchon de l'orifice de remplissage d'huile.
5. Retirez le bouchon de vidange d'huile et laissez l'huile s'écouler complètement dans un contenant approprié.
6. Installez le bouchon de vidange d'huile, puis serrez-le jusqu'à ce qu'il soit bien en place.
7. Versez la nouvelle huile lentement dans l'orifice de remplissage jusqu'à ce qu'elle atteigne le niveau de la jauge situé entre les marques L et H. NE remplissez PAS trop.
8. Installez le bouchon de l'orifice de remplissage d'huile et serrez-le à la main.
9. Essuyez tout déversement d'huile.
10. Éliminez l'huile conformément à tous les règlements applicables.

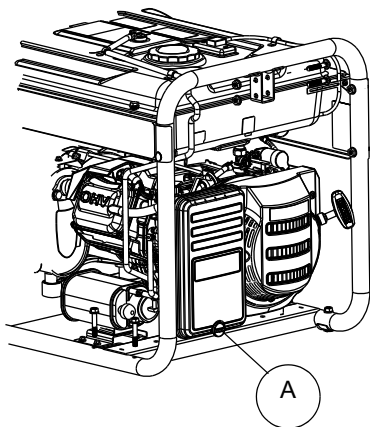
Filtre à air

Le moteur ne fonctionnera pas correctement et risque d'être endommagé si le filtre à air est encrassé. Entretenez le filtre à air plus souvent si l'appareil est utilisé dans un environnement sale ou poussiéreux.

Pour entretenir le filtre à air :

1. Tournez le bouton (A), puis retirez le couvercle du filtre à air.
2. Lavez le filtre à l'eau savonneuse. Séchez le filtre dans un linge propre (NE LE TORDEZ PAS).
3. Nettoyez le couvercle du filtre à air avant de le réinstaller.

AVIS : Pour commander un nouveau filtre à air, communiquez avec le centre de services d'entretien agréé le plus proche en composant le 1 888 431-6871.

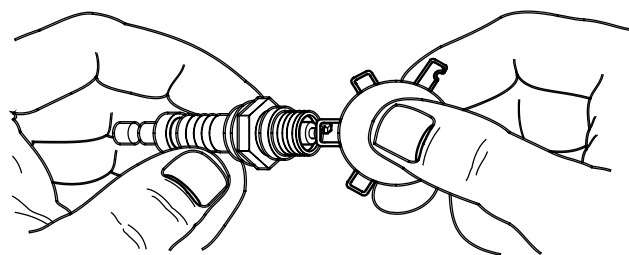


000809

Entretien de la bougie

Pour entretenir la bougie :

1. Nettoyez la zone autour de la bougie.
2. Enlevez la bougie et faites-en l'inspection.
3. Vérifiez la distance entre les électrodes à l'aide d'une jauge d'épaisseur à fils et remplacez les électrodes de la bougie d'allumage à une distance de 0,7 mm à 0,8 mm (de 0,028 po à 0,031 po).



000211

AVIS : Remplacez la bougie d'allumage si les électrodes sont piquées ou brûlées, ou si la porcelaine est fissurée. Utilisez **UNIQUEMENT** une bougie de rechange recommandée. Voir les caractéristiques techniques.

4. Serrez la bougie à la main, puis serrez-la encore – de 3/8 de tour à 1/2 tour – à l'aide d'une clé à bougie.

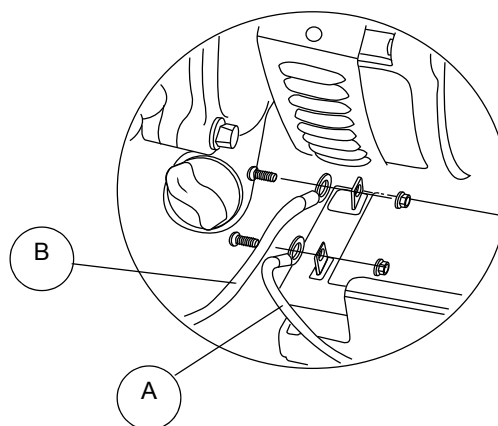
Remplacement ou branchement de la batterie

La batterie fournie avec le générateur est complètement chargée. Une batterie peut perdre une partie de sa charge lorsqu'elle n'est pas utilisée pendant de longues périodes. Si la batterie n'est pas en mesure de faire tourner le moteur, branchez le chargeur 12V inclus dans la boîte d'accessoires (voir la section Chargement de la batterie).

IMPORTANT : LA BATTERIE NE SE RECHARGE PAS LORSQUE LE GÉNÉRATEUR FONCTIONNE.

AVERTISSEMENT Démarrage accidentel. Lorsque vous travaillez sur l'appareil, débranchez le câble négatif de la batterie, puis le câble positif. Le non-respect de cette consigne pourrait entraîner la mort ou des blessures graves.

1. Débranchez D'ABORD la borne négative (-) de la batterie (A).
2. Débranchez ENSUITE la borne positive (+) de la batterie (B).



000224

3. Installez la nouvelle batterie. Installez le support de retenue et serrez.
4. Branchez D'ABORD la borne positive (+) de la batterie (B). Faites passer la gaine caoutchoutée par-dessus l'élément de connexion.
5. Branchez ENSUITE la borne négative (-) de la batterie (A).
6. Faites passer la gaine caoutchoutée par-dessus l'élément de connexion.

Jeu des soupapes

IMPORTANT : Si vous n'êtes pas à l'aise avec cette procédure, ou si vous ne disposez pas des outils appropriés, apportez le générateur au centre d'entretien le plus près pour y faire ajuster le jeu des soupapes.

Vérifiez le jeu des soupapes après les 50 premières heures de fonctionnement. Ajustez-le au besoin.

- Admission – $0,09 \pm 0,02$ mm (froid) ($0,004$ po $\pm 0,001$ po)
- Échappement – $0,14 \pm 0,02$ mm (froid) ($0,006$ po $\pm 0,001$ po)

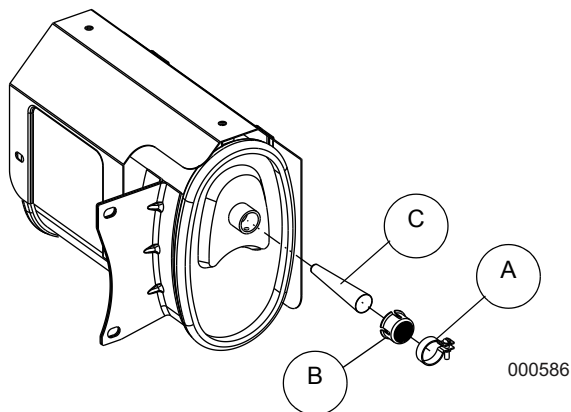
Inspectez l'écran pare-étincelles (modèles CARB)



AVERTISSEMENT Surfaces chaudes. Lorsque vous utilisez l'appareil, ne touchez pas aux surfaces chaudes. Gardez l'appareil

loin des matériaux combustibles lorsqu'il fonctionne. Le contact avec des surfaces chaudes pourrait entraîner des brûlures graves ou un incendie.

1. Desserrez la pince (A) et enlevez la vis.
2. Inspectez l'écran (B) et remplacez-le s'il est déchiré, perforé ou endommagé. Si l'écran n'est pas endommagé, nettoyez-le à l'aide d'un solvant commercial.
3. Remplacez le cône du pare-étincelles (C) et l'écran (B). Fixez-les avec la pince et la vis.



Entreposage

Généralités

Il est recommandé de démarrer le générateur et de le laisser fonctionner 30 minutes tous les 30 jours. Si ce n'est pas possible, reportez-vous à la liste suivante afin de préparer l'appareil pour l'entreposage.

- NE placez PAS une housse d'entreposage sur un générateur chaud. Laissez l'appareil refroidir complètement avant de l'entreposer.
- N'entreposez PAS de carburant d'une saison à l'autre, sauf s'il est traité convenablement.

- Remplacez le récipient de carburant si vous observez la présence de rouille. La rouille dans le carburant entraînera des problèmes dans le système de carburant.
- Couvrez l'appareil d'une housse de protection appropriée qui résiste à l'humidité.
- Entrez l'appareil dans un endroit propre et sec.
- Entrez toujours le générateur et le carburant loin des sources de chaleur et d'étincelles.

Préparation du système de carburant et du moteur pour l'entreposage

Le carburant entreposé pendant plus de 30 jours peut se dégrader et endommager les composants du système de carburant. Pour empêcher le carburant de se dégrader, ajoutez-y un stabilisateur de carburant.

Si vous ajoutez un stabilisateur de carburant au système, vous devez préparer le moteur pour un entreposage à long terme. Faites fonctionner le moteur pendant 10 à 15 minutes pour faire circuler le stabilisateur à travers le système de carburant. Le carburant adéquatement préparé peut être entreposé jusqu'à 24 mois.

AVIS :

Si vous n'avez pas ajouté un stabilisateur de carburant, vous devez vidanger le carburant dans un contenant approprié.

Faites démarrer le moteur et laissez-le fonctionner jusqu'à ce qu'il s'arrête, en panne de carburant. Il est recommandé d'ajouter un stabilisateur de carburant au réservoir pour empêcher la détérioration du carburant lors de l'entreposage.

1. Remplacez l'huile moteur.
2. Retirez la bougie.
3. Versez une cuillère à soupe (15 ml) d'huile moteur propre ou vaporisez un agent voilant approprié dans le cylindre.



AVERTISSEMENT Perte de vision. Une protection pour les yeux est nécessaire afin d'éviter tout contact en cas de pulvérisation

provenant de l'orifice de la bougie lors du lancement du moteur. Le non-respect de cette consigne pourrait causer une perte de la vision.

4. Tirez plusieurs fois le lanceur à rappel pour répartir l'huile dans le cylindre.
5. Remplacez la bougie.
6. Tirez lentement le lanceur à rappel jusqu'à ce qu'une résistance se fasse sentir. De cette manière, vous fermez les soupapes, de sorte que l'humidité ne puisse pas pénétrer dans le cylindre du moteur. Relâchez doucement le lanceur à rappel.

Vidange d'huile

Vidangez l'huile moteur avant l'entreposage. Voir la sous-section [Vidange de l'huile moteur](#).

Dépannage

PROBLÈME	CAUSE	SOLUTION
Le moteur fonctionne, mais aucun courant alternatif n'est produit.	<ol style="list-style-type: none"> 1. Le disjoncteur est OUVERT. 2. La connexion est mauvaise ou le cordon amovible est défectueux. 3. L'appareil branché est défectueux. 4. Le générateur est défectueux. 5. La prise avec disjoncteur différentiel de fuite à la terre (DDFT, si l'appareil en est équipé) est OUVERTE. 	<ol style="list-style-type: none"> 1. Réinitialisez le disjoncteur. 2. Vérifiez la connexion et le cordon et réparez-les, au besoin. 3. Branchez un autre appareil en bon état. 4. Contactez un fournisseur de services agréé. 5. Corrigez le défaut de mise à la terre, puis appuyez sur le bouton de réencenchement du DDFT (si l'appareil en est équipé).
Le moteur fonctionne correctement à vide, mais il éprouve de la difficulté lorsqu'il doit fournir de la puissance.	<ol style="list-style-type: none"> 1. Il y a un court-circuit dans l'une des charges branchées. 2. Le générateur est surchargé. 3. Le régime du moteur est trop bas. 4. Le générateur a subi un court-circuit. 	<ol style="list-style-type: none"> 1. Débranchez la charge électrique court-circuitée. 2. Voir Connaître les limites du générateur. 3. Contactez un fournisseur de services agréé. 4. Contactez un fournisseur de services agréé.
Le moteur ne démarre pas, ou il démarre, puis il hoquette.	<ol style="list-style-type: none"> 1. Le robinet d'arrêt de carburant est à la position « OFF » (fermé). 2. Le filtre à air est encrassé. 3. Il n'y a plus de carburant. 4. Le carburant est éventé. 5. Le câble de bougie n'est pas branché à la bougie. 6. La bougie est défectueuse. 7. Il y a de l'eau dans le carburant. 8. Il y a surétranglement. 9. Le niveau d'huile est bas. 10. Le mélange de carburant est trop riche. 11. La soupape d'admission est bloquée en position ouverte ou fermée. 12. Le moteur a perdu de la compression. 	<ol style="list-style-type: none"> 1. Mettez le robinet d'arrêt de carburant à la position « ON » (ouvert). 2. Nettoyez ou remplacez le filtre à air. 3. Remplissez le réservoir de carburant. 4. Vidangez le réservoir de carburant et remplissez-le de carburant neuf. 5. Branchez le câble à la bougie. 6. Remplacez la bougie. 7. Vidangez le réservoir de carburant et remplissez-le de carburant neuf. 8. Réglez l'étrangleur à la position « no choke » (aucun étranglement). 9. Remplissez le carter du moteur jusqu'au niveau approprié. 10. Contactez un fournisseur de services agréé. 11. Contactez un fournisseur de services agréé. 12. Contactez un fournisseur de services agréé.
Le moteur s'arrête pendant le fonctionnement.	<ol style="list-style-type: none"> 1. Il n'y a plus de carburant. 2. Le niveau d'huile est bas. 3. Le moteur est défectueux. 	<ol style="list-style-type: none"> 1. Remplissez le réservoir de carburant. 2. Remplissez le carter du moteur jusqu'au niveau approprié. 3. Contactez un fournisseur de services agréé.
Le moteur manque de puissance.	<ol style="list-style-type: none"> 1. La charge est trop élevée. 2. Le filtre à air est encrassé. 3. Le moteur a besoin d'être entretenu. 4. L'étrangleur est partiellement fermé. 	<ol style="list-style-type: none"> 1. Réduisez la charge (voir Connaître les limites du générateur). 2. Nettoyez ou remplacez le filtre à air. 3. Contactez un fournisseur de services agréé. 4. Réglez l'étrangleur à la position « no choke » (aucun étranglement).
Le moteur a des sautes de régime ou hésite.	<ol style="list-style-type: none"> 1. L'étrangleur est ouvert trop tôt. 2. Le carburateur fonctionne avec un mélange de carburant trop riche ou trop pauvre. 	<ol style="list-style-type: none"> 1. Réglez l'étrangleur en position intermédiaire jusqu'à ce que le moteur fonctionne en douceur. 2. Contactez un fournisseur de services agréé.

Page laissée en blanc intentionnellement.

Pièce numéro 0L3561 Rév. B 31/08/15 Imprimé aux É.-U.
Les caractéristiques techniques peuvent être modifiées sans préavis.
Toute reproduction sous quelque forme que ce soit de la présente publication
est interdite sans l'autorisation écrite préalable de DeWalt.

DEWALT Industrial Tool Co.
701 East Joppa Road
Baltimore, MD 21286
1-888-431-6871
www.dewalt.com