

*If you have questions or comments, contact us.  
Pour toute question ou tout commentaire, nous contacter.  
Si tiene dudas o comentarios, contáctenos.*

**1-888-431-6871 • [www.dewalt.com](http://www.dewalt.com)**

**INSTRUCTION MANUAL  
GUIDE D'UTILISATION  
MANUAL DE INSTRUCCIONES**

INSTRUCTIVO DE OPERACIÓN, CENTROS DE SERVICIO Y PÓLIZA DE GARANTÍA. **ADVERTENCIA:** LÉASE ESTE INSTRUCTIVO ANTES DE USAR EL PRODUCTO.

**DEWALT®**

**Generator DXGN Series  
Génératrice DXGN Collection  
Generador Serie de DXGN**

---

## **CONTACT INFORMATION**

**For Parts, Service or your nearest distributor call:**

**U.S. and Canada  
(888) 431-6871**

**Website:  
[www.dewalt.com](http://www.dewalt.com)**

# Table of Contents

<b>ENGLISH INSTRUCTIONS</b> .....	<b>5</b>
SAFETY .....	5
SAFETY GUIDELINES AND DEFINITIONS .....	5
SAFETY RULES .....	5
LIFTING HOOK ASSEMBLY .....	7
RAISING OR SUSPENDING GENERATOR .....	7
Limited warranty .....	8
FEDERAL EVAPORATIVE EMISSION CONTROL WARRANTY .....	9
EVAPORATIVE EMISSION CONTROL SYSTEM .....	10
CALIFORNIA EMISSION CONTROL WARRANTY .....	11
OPERATION .....	12
GENERAL INFORMATION .....	12
BEFORE START-UP .....	12
OPERATION .....	12
GENERATOR APPLICATION .....	14
LOADING YOUR GENERATOR SET .....	14
RECEPTACLE DETAILS .....	14
ENGINE LIMITATIONS ON GENERATOR PERFORMANCE .....	14
GENERATOR CLEANING .....	14
GENERAL STORAGE GUIDELINES .....	15
GENERAL MAINTENANCE .....	15
Engine Specifications and Capacities .....	15
Oil Selection .....	16
Engine Maintenance Schedule .....	16
DAILY INSPECTION .....	16
SPARK ARRESTER .....	17
FAULT FINDING GUIDE .....	17
<b>FRENCH INSTRUCTIONS</b> .....	<b>18</b>
SÉCURITÉ .....	18
DIRECTIVES EN MATIÈRE DE SÉCURITÉ ET DÉFINITIONS .....	18
règles de sécurité .....	18
ASSEMBLAGE DE LA BARRE DE LEVAGE .....	20
SOULEVER OU SUSPENDRE LE GÉNÉRATEUR .....	20
GARANTIE LIMITÉE .....	21
UTILISATION .....	22
INFORMATION GÉNÉRALE .....	22
AVANT LE DÉMARRAGE .....	22
UTILISATION .....	22
USAGE DE LA GÉNÉRATRICE .....	24
charger votre génératrice .....	24
Détails des réceptacles (prise femelle) .....	24
Limite du moteur sur la performance de la génératrice .....	24
Nettoyage de la génératrice .....	24
Règles générales d'entretien .....	25
ENTRETIEN GÉNÉRAL .....	25
spécifications du moteur et capacités .....	26
Sélection d'huile .....	26
horaire d'entretien du moteur .....	27
INSPECTION quotidienne .....	27
PARE-ÉTINCELLES .....	27
guide des failles .....	28



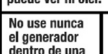
<b>SPANISH INSTRUCTIONS</b> .....	<b>29</b>
SEGURIDAD .....	29
LINEAMIENTOS DE SEGURIDAD Y DEFINICIONES .....	29
reglas de seguridad .....	29
ENSAMBLAJE DEL GANCHO PARA LEVANTAR .....	31
ELEVACIÓN O SUSPENSIÓN DEL GENERADOR .....	31
GARANTIA LIMITADA .....	32
FUNCIONAMIENTO .....	33
INFORMACIÓN GENERAL .....	33
comenzando .....	33
funcionamiento .....	33
APLICACIÓN del generador .....	35
Carga DE su generador .....	35
detalles de receptáculos .....	35
limitaciones del motor y rendimiento del generador .....	35
limpieza del generador .....	35
almacenamiento general pautas .....	36
MANTENIMIENTO GENERAL .....	36
especificaciones y capacidades del motor .....	37
Selection de aceite .....	37
programa de mantenimiento de motor .....	38
inspeccion diaria .....	38
PARACHISPAS .....	38
Guia para encontrar fallas .....	39

*All information provided in this manual is believed to be correct at the time of printing. The manufacturer reserves the right to correct any errors and omissions.*

# ENGLISH INSTRUCTIONS

## SAFETY

### SAFETY GUIDELINES AND DEFINITIONS

<b>⚠ DANGER</b>	<b>⚠ DANGER</b>	<b>⚠ PELIGRO</b>
Using a generator indoors <b>CAN KILL YOU IN MINUTES.</b> Generator exhaust contains carbon monoxide. This is a poison you cannot see or smell.	L'utilisation d'un générateur à l'intérieur <b>PEUT VOUS TUER EN QUELQUES MINUTES.</b> L'émission d'un générateur contient du monoxyde de carbone. Cela est un délétaire invisible et inodore.	La utilización de un generador en un lugar interior <b>PUEDA MATARLO A USTED EN MINUTOS.</b> Los gases de escape del generador contienen monóxido de carbono. Este es un venenoso que usted no puede ver ni oler.
 NEVER use inside a home or garage, <b>EVEN IF</b> doors and windows are open.	 Only use <b>OUTSIDE</b> and far away from windows, doors and vents.	 No use nunca el generador dentro de una casa o un garaje. <b>INCLUSO SI</b> las puertas y las ventanas están abiertas.
Avoid other generator hazards. <b>READ MANUAL BEFORE USE.</b>	Évitez les autres risques associés à générateur. <b>LISEZ LE MANUEL AVANT USAGE.</b>	Evite otros peligros del generador. <b>LEA EL MANUAL DEL USUARIO ANTES DE USARLO.</b>

This instruction manual contains information important for you to know and understand so that your generator may properly, safely, and effectively applied and operated. All operators, users and subsequent owners of this generator must read and understand all instructions before operating the generator. Save these instructions for future reference.

To help you recognize information important to protecting **YOUR SAFETY** and **PREVENTING EQUIPMENT PROBLEMS**, we use the symbols below.

**⚠ DANGER** Indicates and imminently hazardous situation which, if not avoided, will result in death or serious injury.

**⚠ WARNING** Indicates a potentially hazardous situation which, if not avoided, could result in death or serious injury.

**⚠ CAUTION** Indicates a potentially hazardous situation which, if not avoided, may result in minor or moderate injury.

**NOTICE:** Indicates a practice not related to personal injury which, if not avoided, may result in property damage.

### SAFETY RULES

#### SPARK ARRESTING MUFFLER

Certain States and Jurisdictions require that engine driven equipment be fitted with spark arresting mufflers. Depending on the generator model, spark-arresting mufflers may or may not be fitted. If spark-arresting mufflers are required for your location and the generator muffler is not spark arresting, contact your local dealer for instructions for a retrofit.

#### SPARK ARRESTER

If the product will be used around flammable materials, such as agricultural crops, forests, brush, grass, or other similar items, then an approved spark arrester should be installed and is legally required in the State of California. The California statutes requiring a spark arrester are Sections 13005(b), 4442 and 4443. Spark Arresters are also required on some U.S. Forest Service land and may also be legally required under other statutes and ordinances. An approved spark arrester is available from our product dealers, or may be ordered from DEWALT Industrial Tool Co., 701 East Joppa Road, Baltimore, MD 21286. 1-888-431-6871.

#### EXHAUST EMISSION CONTROL SYSTEM

The exhaust emission control system for this generator complies with the standards set forth by the California Air Resources Board (CARB) and the Environmental Protection Agency (EPA). The respective engine manufacturers administer warranties for the exhaust emission system. Refer to the engine documentation for warranty information.



## WARNING

**The engine exhaust from this product contains chemicals known to the State of California to cause cancer, birth defects, or other reproductive harm.**

#### RISK OF ASPHYXIATION

**⚠ DANGER** DO NOT OPERATE THIS GENERATOR WITHIN AN ENCLOSED AREA. THE EXHAUST GASES OF THIS GENERATOR EMIT "DEADLY" CARBON MONOXIDE. EXPOSURE TO CARBON MONOXIDE CAN CAUSE CARBON MONOXIDE POISONING, HEADACHES, NAUSEA, SEVERE SICKNESS OR DEATH.

#### RISK OF ELECTROCUTION OR SHOCK

**⚠ DANGER** THIS GENERATOR SET PRODUCES ELECTRICAL CURRENT. THEREFORE, SAFETY GUIDELINES MUST BE FOLLOWED. IMPROPER USE OF THIS GENERATOR CAN RESULT IN ELECTROCUTION, INJURY OR DEATH. DO NOT OPERATE, SERVICE OR REPAIR THIS GENERATOR UNLESS FULLY QUALIFIED TO DO SO.

**⚠ DANGER** THIS GENERATOR SET IS DESIGNED TO BE OPERATED IN DRY CONDITIONS AND FOR OUTDOOR AREAS ONLY. NEVER OPERATE THIS GENERATOR INDOORS. NEVER OPERATE THIS GENERATOR IN RAIN, SNOW, SLEET OR GENERALLY WET CONDITIONS. DAMAGE TO THE GENERATOR, BODILY INJURY, OR DEATH COULD RESULT FROM ELECTROCUTION.

**⚠ DANGER** IF THIS GENERATOR IS CONNECTED TO A BUILDING, HOME, BUSINESS, OR ANY OTHER ELECTRICAL CIRCUIT NORMALLY FED BY UTILITY POWER, STEPS MUST BE TAKEN TO INSURE THE GENERATOR OUTPUT AND THE UTILITY POWER ARE POSITIVELY ISOLATED. THIS IS TYPICALLY ACCOMPLISHED THROUGH THE USE OF A PROPERLY INSTALLED TRANSFER SWITCH. FAILURE TO ISOLATE THE UTILITY AND GENERATOR ELECTRICAL SYSTEMS WILL RESULT IN GENERATOR DAMAGE AND COULD RESULT IN INJURY OR DEATH TO UTILITY WORKERS DUE TO THE BACKFEED OF ELECTRICITY.

**⚠ DANGER** TO AVOID BACKFEEDING INTO UTILITY SYSTEMS, ISOLATION OF THE RESIDENCE ELECTRICAL SYSTEM IS REQUIRED. BEFORE CONNECTION OF A GENERATOR TO THE RESIDENCE ELECTRICAL SYSTEM TURN OFF THE MAIN SWITCH. BEFORE MAKING PERMANENT CONNECTIONS A DOUBLE THROW TRANSFER SWITCH MUST BE INSTALLED. TO AVOID ELECTROCUTION OR PROPERTY DAMAGE, ONLY A TRAINED ELECTRICIAN SHOULD CONNECT GENERATOR TO RESIDENCE ELECTRICAL SYSTEM. CALIFORNIA LAW REQUIRES ISOLATION OF THE RESIDENCE ELECTRICAL SYSTEM BEFORE CONNECTING A GENERATOR TO RESIDENCE ELECTRICAL SYSTEMS. TEMPORARY CONNECTION NOT RECOMMENDED DUE TO BACKFEEDING.

**ALWAYS FOLLOW LOCAL CODES AND REGULATIONS THAT APPLY TO THE INSTALLATION OF ANY ITEM THAT CONCERNS THIS PRODUCT.**

1. **NFPA 70 - National Electrical Code.**
2. **NFPA 37 - Standard for Installation and Use of Stationary Combustible Engines.**
3. **Agricultural Wiring handbook of Farm Standby Electric Power.**

**⚠ DANGER** DO NOT MODIFY OR MISAPPLY YOUR GENERATOR SET. OPERATION OF THE GENERATOR OTHER THAN INTENDED COULD RESULT IN GENERATOR SET DAMAGE, BODILY INJURY OR EVEN DEATH FROM ELECTROCUTION.

**⚠ DANGER** NEVER TOUCH A RECEPTACLE OR BARE WIRE. ELECTROCUTION OR SHOCK COULD RESULT.

#### **RISK OF FIRE OR EXPLOSION**

**⚠ WARNING** ALWAYS INSURE THAT AT LEAST 6 FEET OF CLEARANCE ON ALL SIDES OF THE GENERATOR ARE MAINTAINED DURING OPERATION. FAILURE TO MAINTAIN PROPER CLEARANCE COULD DAMAGE YOUR GENERATOR AND POTENTIALLY LEAD TO FIRES.

**⚠ WARNING** GASOLINE IS HIGHLY FLAMMABLE AND ITS VAPORS ARE EXPLOSIVE. FAILURE TO PROPERLY HANDLE GASOLINE CAN RESULT IN EXPLOSION OR FIRE. DO NOT PERMIT SMOKING WITHIN 50FT OF THIS GENERATOR SET.

**⚠ WARNING** NEVER REFILL A HOT GENERATOR WITH FUEL. NEVER REFILL THE GENERATOR WHILE IT IS RUNNING. SPILLAGE ONTO THE ENGINE OR GENERATOR COULD RESULT IN AN EXPLOSION OR FIRE. ALWAYS ALLOW THE GENERATOR SET TO COOL BEFORE REFILLING.

**⚠ WARNING** DO NOT STORE THIS GENERATOR SET IN ANY LOCATION WHERE GASOLINE FUMES COULD POTENTIALLY COME INTO CONTACT WITH SPARKS, A PILOT LIGHT OR AN OPEN FLAME. IMPROPER STORAGE OF THIS GENERATOR COULD RESULT IN AN EXPLOSION OR FIRE.

**⚠ WARNING** INSPECT THE SPARK ARRESTOR PERIODICALLY. SPARK ARRESTORS ARE REQUIRED IN SOME AREAS AND MINIMIZE THE RISK OF FIRE FROM SPARKS EMMITTED FROM THE EXHAUST.

**⚠ WARNING** DO NOT OPERATE THIS GENERATOR IF THE AMBIENT TEMPERATURE EXCEEDS 104°F/40°C.

**⚠ WARNING** DO NOT EXCEED THE RATED CAPACITY OF THE GENERATOR. THE TOTAL ELECTRICAL LOADS AT EACH OUTLET MUST BE ADDED TO DETERMINE THE TOTAL ELECTRICAL LOAD. THE TOTAL LOAD MUST NOT EXCEED THE RATED CAPACITY OF THE GENERATOR. IF THE DRIVEN APPARATUS DOES NOT LIST WATTAGE, BUT ONLY AMPERAGE, WATTAGE MAY BE DETERMINED BY MULTIPLYING AMPERAGE TIMES VOLTAGE (WATTS = AMPS X VOLTS).

#### **GENERAL SAFETY**

Always follow National and Local electrical codes pertaining to generators. All local and national codes supersede rules or information provided in this manual.

**⚠ WARNING** REFER TO LOCAL AND NATIONAL ELECTRICAL CODES TO DETERMINE GROUNDING REQUIREMENTS AS THIS CAN VARY PER APPLICATION. THE GENERATOR IS GROUNDED INTERNALLY NEUTRAL TO FRAME. WHERE APPLICATIONS REQUIRE EXTERNAL GROUNDING, A CONNECTION MUST BE MADE FROM THE GENERATOR TO A SOLID EARTH GROUND. A CONTINUOUS LENGTH OF SPLICE-FREE COPPER CABLE, NO SMALLER THAN 6 AWG, SHALL BE USED FOR THE CONDUCTOR.

- When moving or transporting this generator, take proper precautions to avoid fuel spillage. Further, always use common sense when lifting this generator. An adequate number of people and proper lifting methods must be used.
- Do not cover the generator while it is running or immediately after shutdown. Always allow time to cool down before covering.
- Do not operate this generator unless it is in good mechanical and electrical condition.
- Always keep hands, body parts, hair and clothing well away from the rotating parts of the generator.
- Do not start this generator with connected devices turned "ON". Always make sure that connected devices are disconnected from the generator or turned "OFF" before starting the generator.
- Generators operating on job or construction sites may be required to have GFCI (Ground Fault Circuit Interrupters) receptacles.
- Use only grounded extension cords in good condition and make sure that the wire size within the extension cords is of sufficient size to safely carry the surge output of the generator.
- Never handle extension cords or electrical circuits if standing in water or if standing in a damp area.

## RISK OF BODILY INJURY

**⚠ WARNING** KEEP HANDS, BODY PARTS, HAIR AND CLOTHING AWAY FROM THE “HOT” PARTS OF THE GENERATOR SET DURING AND AFTER OPERATION. THE EXHAUST SYSTEM, AND THE GENERATOR IN GENERAL, CAN REMAIN VERY HOT EVEN AFTER BEING SHUT DOWN.

**⚠ WARNING** DO NOT TAMPER WITH THE ENGINE-GOVERNED SPEED. THE GENERATOR OPERATES AT A NOMINAL SPEED OF 3600 RPM. INCREASES IN SPEED OVER THE 3600 RPM NOMINAL WILL INCREASE THE CHANCE OF PERSONAL INJURY DUE TO ROTATIONAL STRESSES ON THE ROTATING MEMBERS. OPERATION OF THE GENERATOR AT SPEEDS BELOW THE NOMINAL 3600 RPM COULD CAUSE DAMAGE TO THE GENERATOR OR DRIVEN APPARATUS DUE TO LOW VOLTAGE OUTPUT.

## BATTERY SAFETY

**⚠ WARNING** STORAGE BATTERIES PRODUCE AND RELEASE EXPLOSIVE HYDROGEN GAS WHEN CHARGING. THE SLIGHTEST SPARK, FLAME OR BURNING ASH CAN IGNITE THESE GASES CAUSING A SERIOUS EXPLOSION THAT COULD RESULT IN BLINDNESS OR OTHER SERIOUS INJURIES. WEAR EYE PROTECTION, RUBBER APRON AND RUBBER GLOVES WHEN WORKING AROUND A BATTERY OR PERFORMING BATTERY SERVICE. BATTERY FLUID IS AN EXTREMELY CAUSTIC SULFURIC ACID, WHICH CAN CAUSE SEVERE BURNS. ALWAYS DISCONNECT THE NEGATIVE (-) BATTERY CABLE FROM THE BATTERY BEFORE PERFORMING BATTERY SERVICE OR BEFORE PERFORMING ANY ELECTRICAL SERVICE ON THE GENERATOR OR ENGINE.

## ENVIRONMENTAL PROTECTION

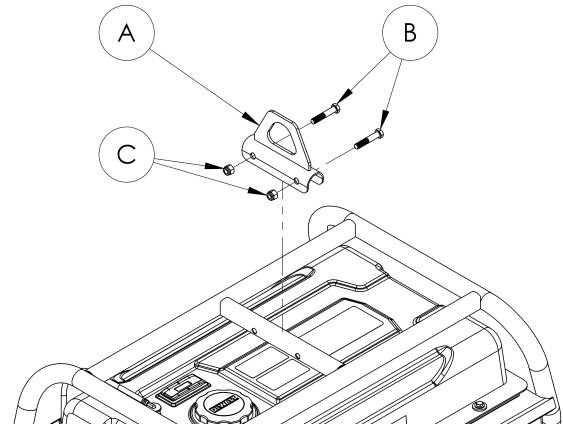
**⚠ CAUTION** INSPECT THE EXHAUST SYSTEM REGULARLY TO ENSURE IT IS FUNCTIONING PROPERLY. LEAKY EXHAUST SYSTEMS WILL INCREASE NOISE LEVELS.

**⚠ CAUTION** DIRECT THE “LOUD” SIDES OF THE GENERATOR INTO OPEN SPACES AVOIDING REVERBERATION FROM WALLS OR BUILDINGS THUS AMPLIFYING THE SOUND.

**NOTICE:** NEVER DRAIN OR DISPOSE OF ENGINE OIL INTO THE GROUND OR DOMESTIC WASTE WATER SYSTEMS.

## LIFTING HOOK ASSEMBLY

Attach the lifting hook (A) to the carrier with 3/8 x 2.00” bolts (B) and 3/8 nyloc nuts (C) as shown in the illustration. Tighten the bolts firmly.



## RAISING OR SUSPENDING GENERATOR

**⚠ WARNING** Failure to properly connect lifting cables, chains or straps can cause property damage, serious injury or death, and void the manufacturer’s warranty.

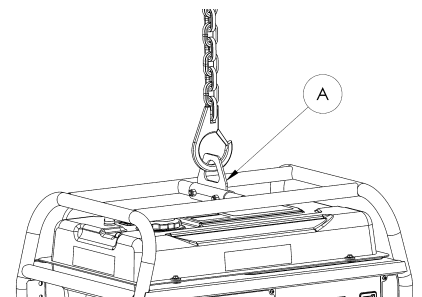
**⚠ WARNING** Always use cables, chains or straps rated at 2000 lbs. working load or more to raise or suspend generator.

**⚠ WARNING** Never operate generator while suspended. This could cause property damage, serious injury or death.

**⚠ WARNING** DO NOT suspend objects other than generator from lifting hook.

**⚠ WARNING** Make sure all fasteners in frame and lifting hook are tight.

Route cable, chain or strap through lifting hook (A) as shown. ALWAYS use lifting hook when raising or suspending generator.



**NOTICE:** Make sure the generator is in a level position before raising or suspending to prevent damage.

## Accessories

Recommended accessories for use with your tool are available for purchase from your local dealer or authorized service center. If you need assistance in locating any accessory for your tool, please contact DEWALT Industrial Tool Co., 701 East Joppa Road, Baltimore, MD 21286, call 1-888-431-6871 or visit our website [www.dewalt.com](http://www.dewalt.com).

## Service Information

Please have the following information available for all service calls:

Model Number \_\_\_\_\_ Serial Number \_\_\_\_\_  
 Date and Place of Purchase \_\_\_\_\_

## Repairs

To assure product SAFETY and RELIABILITY, repairs, maintenance and adjustment should be performed by a DEWALT factory service center, a DEWALT authorized service center or other qualified service personnel. Always use identical replacement parts.

## Three Year Warranty - U.S.A. and Canada

DEWALT heavy duty generators are warranted for three (3) years from date of purchase in the United States and Canada. We will repair, without charge, any defects due to faulty materials or workmanship. For warranty repair information, call 1-888-431-6871. This warranty does not apply to accessories or damage caused where repairs have been made or attempted by others. This warranty gives you specific legal rights and you may have other rights which vary in certain states or provinces.

## One Year Warranty - Mexico

DEWALT heavy duty generators are warranted for one (1) year from date of purchase in Mexico. We will repair, without charge, any defects due to faulty materials or workmanship. For warranty repair information, call 1-888-431-6871. This warranty does not apply to accessories or damage caused where repairs have been made or attempted by others. This warranty gives you specific legal rights and you may have other rights which vary in certain states.

**LATIN AMERICA (EXCEPT MEXICO):** This warranty does not apply to products sold in Latin America. For products sold in Latin America, see country specific warranty information contained either in the packaging, call the local company or see website for warranty information.

**FREE WARNING LABEL REPLACEMENT:** If your warning labels become illegible or are missing, call 1-888-431-6871 for a free replacement.

<p><b>⚠ DANGER</b></p> <p>Using a generator indoors CAN KILL YOU IN MINUTES. Generator exhaust contains carbon monoxide. This is a poison you cannot see or smell.</p> <p><b>NEVER</b> use inside a home or garage, <b>EVEN IF</b> doors and windows are open.</p> <p>Only use <b>OUTSIDE</b> and far away from windows, doors and vents.</p>	<p><b>⚠ DANGER</b></p> <p>L'utilisation d'un générateur à l'intérieur PEUT VOUS TUER EN QUELQUES MINUTES. L'émission d'un générateur contient du monoxyde de carbone. Cela est un odoreur invisible et inodore.</p> <p>Ne l'utilisez jamais à l'intérieur d'une maison ou d'un garage et ce, <b>MÊME SI</b> les portes et fenêtres sont ouvertes.</p> <p>Utilisez-le uniquement à l'<b>EXTÉRIEUR</b> et loin des fenêtres, des portes et des conduits de ventilation.</p>	<p><b>⚠ PELIGRO</b></p> <p>La utilización de un generador en un lugar interior PUEDE MATARLO A USTED EN MINUTOS. Los gases de escape del generador contienen monóxido de carbono. Este es un venenoso que usted no puede ver ni oler.</p> <p>No use nunca el generador dentro de una casa o un garaje. <b>INCLUSO SI</b> las puertas y las ventanas están abiertas.</p> <p>Use el generador solamente en el <b>EXTERIOR</b> y alejado de las ventanas, las puertas y los respiraderos.</p>
---	---	--

<p><b>⚠ WARNING</b></p> <p>Read Service Literature. Improper Operation of this equipment could result in property damage, serious injury or death. Total power drawn from all receptacles must not exceed the nameplate rating.</p> <p><b>Breathing Hazard.</b> Engine exhaust fumes can cause serious injury or death. Always operate generator outside and far away from windows, doors, &amp; vents.</p> <p><b>Risk of Fire or Explosion.</b> Always turn off and cool engine before adding fuel. Hot engine parts, sparks, or lit cigarettes can ignite gasoline. Store fuel away from generator.</p> <p><b>Hot Surfaces.</b> Contact with hot generator and engine parts could cause serious injury. Allow adequate cool down time before servicing.</p> <p><b>Risk of Electroshock, property damage.</b> Connecting generator to a structure's electrical system should be done by a qualified electrician to prevent back-feed. Do not operate generator in wet conditions.</p> <p><b>Operational Warning -</b> Never adjust throttle setting. Generator service and repair should only be performed by a qualified technician.</p> <p><small>THE ENGINE CONTACT FROM THIS PRODUCT COMPLIES COMPLETELY WITH THE STATE OF CALIFORNIA TO CAUSE CANCER, SERIOUS DEFORMITY OR OTHER REPRODUCTIVE HARM.</small></p>	<p><b>⚠ ADVERTENCIA</b></p> <p>Leer el manual de asistencia. El uso incorrecto puede provocar averías, lesiones graves o muerte. La total carga desde de todas tomas no debe exceder las máximas indicadas de placa.</p> <p><b>Peligro de Inhalación.</b> Los gases de escape del motor pueden provocar lesiones graves a incluso muerte. Utilice únicamente a l'EXTERIEUR e l'lon des fenêtres, des portes et des conduits de ventilation.</p> <p><b>Peligro de fuego o explosión.</b> Desconectar y dejar enfriar el motor antes de introducir el combustible. Las piezas calientes del motor, chispas o cigarrillos encendidos pueden provocar incendios. Almacene el combustible lejos del generador.</p> <p><b>Superficies calientes.</b> El contacto con las piezas del motor o el generador calientes puede causar lesiones graves. Permitir el tiempo de refrigeración suficiente antes de la manipulación.</p> <p><b>Peligro de electrocución y avería.</b> La conexión del generador a una instalación eléctrica debe realizarse un electricista cualificado para prevenir la retro-alimentación. No manipular el generador en condiciones de humedad.</p> <p><b>Precauciones de uso.</b> No manipular el regulador de vueltas. La manipulación y reparación deberá llevarla a cabo un técnico cualificado.</p> <p><small>EL MOTOR EN CONTACTO CON ESTE PRODUCTO CUMPLE COMPLETAMENTE CON LAS RECOMENDACIONES POR EL ESTADO DE CALIFORNIA COMO CAUSANTES DE CÁNCER, DEFECTOS DE NACIMIENTO U OTROS DAÑOS REPRODUCTIVOS.</small></p>	<p><b>⚠ AVERTISSEMENT</b></p> <p>Lire attentivement la notice d'utilisation. Une mauvaise utilisation de ce matériel peut provoquer de sérieux dommages matériels et entraîner la mort. Le charge total tiré de toutes receptacles ne doit pas dépasser les valeurs nominales de la plaque de identification.</p> <p><b>Risques d'inhalation.</b> L'inhalation des gaz d'échappement des moteurs peut provoquer de graves dommages voire entraîner la mort. Utilisez le générateur uniquement en el EXTERIEUR y alejado de las ventanas, las puertas y los respiraderos.</p> <p><b>Risques de feu ou d'explosion.</b> Avant de mettre du fuel dans le moteur, éteignez et le laissez refroidir complètement avant toute intervention. Toute source de chaleur peut enflammer le combustible. Stockez le fuel dans un endroit sûr. Éloignez des grilles.</p> <p><b>Risques de brûlures.</b> Tout contact avec le générateur ou le moteur peut provoquer de graves brûlures. Laissez refroidir avant la mise en service.</p> <p><b>Risques d'électrocution.</b> Tout branchement du groupe à un système électrique doit être effectué par un électricien. Ne pasteur fonctionner dans un milieu humide.</p> <p><b>Attention !</b> Ne pas modifier le réglage de l'accélérateur. La mise en service et le service ultérieur ne doivent être effectués que par un technicien spécialisé.</p> <p><small>L'ÉQUIPEMENT DU MOTEUR PRÉSENTANT DE CE PRODUIT CONFORME DES PRODUITS CHANGÉS RECOMENDÉS PAR L'ÉTAT DE LA CALIFORNIE COMME POUVANT CAUSER LE CANCER, DES DÉFORMES CONNEXIONALES ET D'AUTRES DANERS REPRODUCTIFS.</small></p>
---	---	---



**FEDERAL EVAPORATIVE EMISSION CONTROL WARRANTY STATEMENT  
YOUR WARRANTY RIGHTS AND OBLIGATIONS**

The United States Environmental Protection Agency (EPA) and Pramac America, LLC (herein "Pramac America") are pleased to explain the Evaporative Emission Control System (EECS) warranty on your 2011 model year and later generator. New equipment that uses small spark-ignited engines must be designed, built, and equipped to meet stringent anti-smog standards for the federal government. Pramac America must warrant the evaporative emission control system on your generator for the periods of time listed below, provided there has been no abuse, neglect or improper maintenance of your generator.

The evaporative emission control system on this generator includes all components whose failure would increase the generator evaporative emissions of any regulated pollutant. These components are listed in the Warranted Parts section of this warranty.

**MANUFACTURER'S WARRANTY COVERAGE:**

This EECS warranty is valid for three years. If, during such warranty period, any evaporative emission-related part on your equipment is found to be defective in materials or workmanship, repairs or replacement will be performed by an authorized Pramac America warranty service center.

**OWNER'S WARRANTY RESPONSIBILITIES:**

As the generator owner, you are responsible for performance of the required maintenance listed in your owner's manual. Pramac America recommends that you retain all receipts covering maintenance on your generator, but Pramac America cannot deny warranty solely for the lack of receipts. You should, however, be aware that Pramac America may deny you warranty coverage if your generator or a part has failed due to abuse, neglect or improper maintenance or unapproved modifications.

You are responsible for presenting your generator to an authorized Pramac America warranty service center or a distribution center as soon as the problem exists. The warranty repairs should be completed in a reasonable amount of time, not to exceed 30 days. If you have a question regarding your warranty coverage, you should call Pramac America Product Service at 1-800-445-1805, Email: [generatorservices@powermate.com](mailto:generatorservices@powermate.com).

**DETAILS OF YOUR WARRANTY**

Subject to certain conditions and exclusions as stated below, the warranty on emission-related parts is as follows:

- (1) Any warranted part that is not scheduled for replacement as required maintenance in the written instructions supplied, is warranted for the EECS period stated above. If the part fails during the period of EECS warranty coverage, the part will be repaired or replaced by Pramac America according to Subsection (4) below. Any such part repaired or replaced under EECS warranty will be warranted for the remainder of the period.
- (2) Any warranted part that is scheduled only for regular inspection in the written instructions supplied, is warranted for the EECS warranty period stated above. Any such part repaired or replaced under EECS warranty will be warranted for the remaining warranty period.
- (3) Any warranted part that is scheduled for replacement as required maintenance in the written instructions supplied, is warranted for the period of time before the first scheduled replacement date for that part. If the part fails before the first scheduled replacement date, the part will be repaired or replaced by Pramac America according to Subsection (4) below. Any such part repaired or replaced under EECS warranty will be warranted for the remainder of the period prior to the first scheduled replacement date for the part.
- (4) Repair or replacement of any evaporative emissions warranted part under the EECS warranty provisions herein must be performed at an authorized Pramac America warranty service center at no charge to the owner.
- (5) The generator owner will not be charged for diagnostic labor that is directly associated with diagnosis of a defective, emission-related warranted part, provided that such diagnostic work is performed at an authorized Pramac America warranty service center.
- (6) Pramac America is liable for damages to other engine or generator components proximately caused by a failure under warranty of any warranted part.
- (7) Throughout the generator warranty period stated above, Pramac America will maintain a supply of warranted parts sufficient to meet the expected demand for such parts.
- (8) Any Pramac America authorized replacement parts may be used in the performance of any EECS warranty maintenance or repairs and must be provided without charge to the owner. Such use will not reduce the EECS warranty obligations of Pramac America.
- (9) No modifications, other than those explicitly approved by Pramac America, may be made to the generator. Unapproved modifications void this EECS warranty and shall be sufficient grounds for disallowing and EECS warranty claim.
- (10) Pramac America shall not be held liable hereunder for failures of any non-authorized replacement parts, or failures of any authorized parts caused by the use of non-authorized replacement parts.
- (11) Notwithstanding the provisions herein, warranty services or repairs will be provided at all of our distribution centers franchised to service the subject engines or equipment.

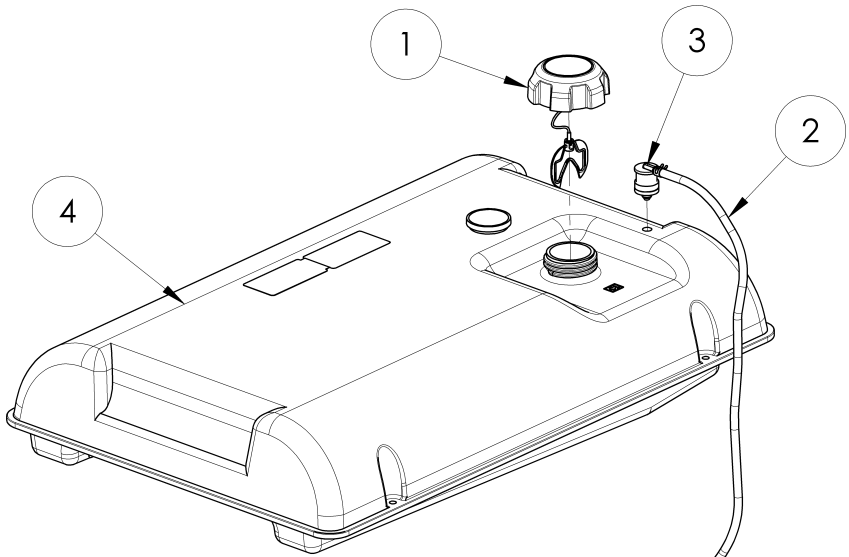
**WARRANTED PARTS:**

The following emission warranty parts list is covered:

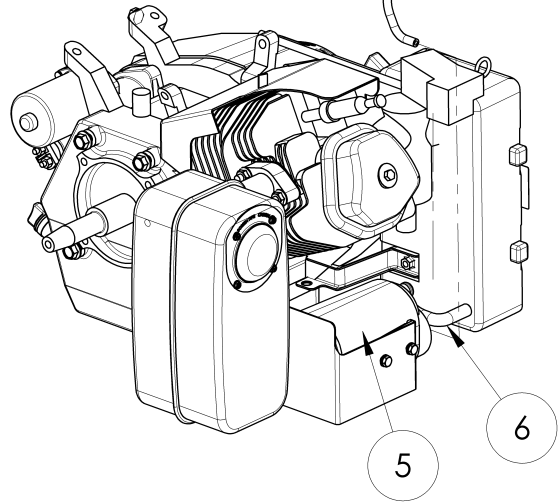
Fuel Tank  
Fuel Cap  
Fuel Hoses  
Carbon Canister (if equipped)  
Vapor Hoses  
Hose Clamps  
Hose Connectors  
Vapor/Fuel Check Valve

## EVAPORATIVE EMISSION CONTROL SYSTEM

NOTE: A typical system is shown in this diagram. All emissions related components are covered by the CALIFORNIA EMISSION CONTROL WARRANTY.



REF	DESCRIPTION	QTY
1	SEALED FUEL CAP WITH TETHER	1
2	VAPOR HOSE	1
3	VAPOR VALVE	1
4	FUEL TANK	1
5	CARBON CANISTER	1
6	PURGE HOSE	1



**CALIFORNIA EMISSION CONTROL WARRANTY STATEMENT  
YOUR WARRANTY RIGHTS AND OBLIGATIONS**

The California Air Resources Board and Pramac America, LLC (herein "Pramac America") are pleased to explain the evaporative emission control system (EECS) warranty on your 2008 model year and later generator. In California, new generators must be designed, built and equipped to meet the State's stringent anti-smog standards. Pramac America must warrant the EECS on your generator for the periods of time listed below, provided there has been no abuse, neglect or improper maintenance of your generator.

Your EECS includes parts such as fuel tank, fuel hoses, fuel cap, carbon canister, vapor hoses, clamps, connectors, and other emission-related components.

Where a warrantable condition exists, Pramac America will repair your generator at no cost to you including diagnosis, parts and labor.

**MANUFACTURER'S WARRANTY COVERAGE:**

This evaporative emission control system is warranted for three years. The warranty period begins on the date the generator is delivered to an ultimate purchaser.

Pramac America warrants to the ultimate purchaser and any subsequent owner that the generator is (i) designed, built and equipped so as to conform with all applicable regulations; and (ii) free from defects in materials and workmanship that cause the failure of a warranted part to be identical in all material respects to that part as described in Pramac America's application for certification.

If any evaporative emission-related part on your generator is defective, the part will be repaired or replaced by Pramac America.

**OWNER'S WARRANTY RESPONSIBILITIES:**

As the generator owner, you are responsible for performance of the required maintenance listed in your owner's manual. Pramac America recommends that you retain all receipts covering maintenance on your generator, but Pramac America cannot deny warranty solely for the lack of receipts. You should, however, be aware that Pramac America may deny you warranty coverage if your generator or a part has failed due to abuse, neglect or improper maintenance or unapproved modifications.

You are responsible for presenting your generator to an authorized Pramac America warranty service center or a distribution center as soon as the problem exists. The warranty repairs should be completed in a reasonable amount of time, not to exceed 30 days. If you have a question regarding your warranty coverage, you should call Pramac America Product Service at 1-800-445-1805.

**DETAILS OF YOUR WARRANTY**

Subject to certain conditions and exclusions as stated below, the warranty on emission-related parts is as follows:

- (1) Any warranted part that is not scheduled for replacement as required maintenance in the written instructions supplied, is warranted for the period stated above. If the part fails during the period of warranty coverage, the part will be repaired or replaced by Pramac America according to Subsection (4) below. Any such part repaired or replaced under warranty will be warranted for the remainder of the period.
- (2) Any warranted part that is scheduled only for regular inspection in the written instructions supplied, is warranted for the warranty period stated above. Any such part repaired or replaced under warranty will be warranted for the remaining warranty period.
- (3) Any warranted part that is scheduled for replacement as required maintenance in the written instructions supplied, is warranted for the period of time before the first scheduled replacement date for that part. If the part fails before the first scheduled replacement date, the part will be repaired or replaced by Pramac America according to Subsection (4) below. Any such part repaired or replaced under warranty will be warranted for the remainder of the period prior to the first scheduled replacement date for the part.
- (4) Repair or replacement of any warranted part under the warranty provisions herein must be performed at an authorized Pramac America warranty service center at no charge to the owner.
- (5) The generator owner will not be charged for diagnostic labor that is directly associated with diagnosis of a defective, emission-related warranted part, provided that such diagnostic work is performed at an authorized Pramac America warranty service center.
- (6) Pramac America is liable for damages to other engine or generator components proximately caused by a failure under warranty of any warranted part.
- (7) Throughout the generator warranty period stated above, Pramac America will maintain a supply of warranted parts sufficient to meet the expected demand for such parts.
- (8) Any replacement part may be used in the performance of any warranty maintenance or repairs and must be provided without charge to the owner. Such use will not reduce the warranty obligations of Pramac America.
- (9) Add-on or modified parts that are not exempted by the Air Resources Board may not be used. The use of any non-exempted add-on or modified parts by the ultimate purchaser will be grounds for disallowing a warranty claims. Pramac America will not be liable to warrant failures or warranted parts caused by the use of a non-exempted add-on or modified part.
- (10) The repair or replacement of any warranted part otherwise eligible for warranty coverage may be excluded from such warranty coverage if the generator has been abused, neglected or improperly maintained, and such abuse, neglect or improper maintenance was the direct cause of the need for repair or replacement of the part.
- (11) Notwithstanding the provisions herein, warranty services or repairs will be provided at all of our distribution centers franchised to service the subject engines or equipment.

**WARRANTED PARTS:**

The following emission warranty parts list is covered:

Fuel Tank (except metal fuel tank)  
Fuel Cap  
Fuel Hoses  
Carbon Canister  
Vapor Hoses  
Hose Clamps  
Hose Connectors  
Vapor/Fuel Check Valve

## OPERATION

### GENERAL INFORMATION

This manual has been prepared to acquaint you with the operation and maintenance of this product. Study the information provided carefully to avoid problems associated with improper application or maintenance. Upon receipt of your generator, verify that it is complete and in good condition.

The generator is comprised of a 4 stroke, air-cooled engine directly coupled to a 2 pole alternator producing either 125VAC or 125/250VAC depending on model. The no-load speed is approximately 3750rpm with the speed under load going to approximately 3600rpm thus producing a frequency of 60Hz.

#### INITIAL INSPECTION

Upon receiving your generator set, inspect the product to make sure it is complete and in good condition. Handle with care and place in a suitable site for storage or operation.

#### GROUND CONNECTION

The generator should be grounded to earth to reduce the risk of electrical shock. To do this you will need a grounding rod and an appropriately sized copper ground wire. Drive the ground rod into the earth, connect one end of the copper wire to the rod and connect the other end to the external ground connection on the generator set. This is a general explanation, consult National and Local electrical codes to ensure compliance.

#### GENERATOR NEUTRAL BOND

There is a permanent conductor between the generator (stator winding) and the frame.

### BEFORE START-UP

#### ENGINE FUEL

Use Unleaded Gasoline with minimum Octane 86. Check the fuel gauge and add as necessary.

#### **WARNING**

- SLOWLY ADD UNLEADED GASOLINE TO FUEL TANK
- DO NOT OVERFILL TANK
- DO NOT FILL ABOVE TOP OF FUEL SCREEN. THIS WILL ALLOW EXPANSION IN HOT WEATHER AND PREVENT OVERFLOW.



#### ENGINE OIL

The engine manual or other information provided by the engine manufacturer supersedes data provided here. Proper oil grade varies with climate. The grade listed in the table is typically a good grade but consult the engine manual to verify proper grade. The oil fill ports are located on both sides of the engine. The gray filler cap has an integral dipstick. Add the proper amount of oil and check the level using the dipstick. NOTE: The dipstick should be placed into the filler opening but not screwed in to check the level.

ENGINE	HP	Oil Capacity	Grade
Honda GX270	8.5	1.16 qt (1.1 l)	API SJ SAE 10W-30
Honda GX340	10.7	1.16 qt (1.1 l)	API SJ SAE 10W-30
Honda GX390	11.7	1.16 qt (1.1 l)	API SJ SAE 10W-30
Honda GX630	20.2	2.1 qt (2.0 l)	API SJ SAE 10W-30

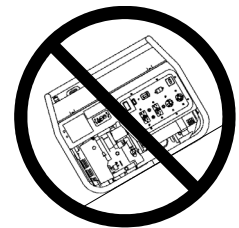
#### STARTING BATTERY (Electric Start Models Only)

The starting battery should be rated at 12V-18AH (12V-34AH for DXGN14000). The battery is fully charged if a voltage of 13.7VDC is measured across the terminals using a DC Voltmeter.

#### POSITIONING

- Place the generator set on a flat and solid surface to prevent it from sinking.
- Keep fuel, oil or other flammable or combustible materials at a safe distance from the generator set.
- Select a site that is well ventilated and protected from the weather.
- Place the generator set safely away from people and animals.

 **WARNING** TILTING CAN CAUSE FUEL SPILLAGE



### OPERATION

Check the engine oil before each use. Never operate the generator set with insufficient oil.

#### GENERATOR SET OVERLOAD

Do not exceed the rated load of the generator set when operating continuously. Before connecting items to the generator set, determine the total electrical requirements of the products to be connected. The requirement of each item is generally given on the manufacturer's nameplate. Following is a list of commonly used items and typical requirements. Use this list as a guideline only if no other data is available.

## GENERAL WATTAGE GUIDE

Item	Running Watts
Air Conditioner (12000 Btu) (*)	1750
Air Compressor (1/2 hp) (*)	1400
Air Compressor (3/4 hp) (*)	1800
Air Compressor (1 hp) (*)	2000
Battery Charger (25A)	600
Belt Sander (3" belt)	1000
Circular Saw (7 1/4")	825-1050
Coffee Maker	900-1100
Edger (lawn)	550
Furnace Fan (1/3 hp) (*)	1200
Hot Plate (single)	1500
Impact wrench	600
Light Bulb	Bulb rating
Nail Gun	1200
Microwave	750
Paint Sprayer (1/3 hp) (*)	650
Paint Sprayer, hand-airless	175
Radio	50-200
Refrigerator (*)	600
Table Saw (10") (*)	2000
Television	250-550
Weed Trimmer	500
Note: (*) Items allow at least 3 times the listed wattage for starting.	

NOTE: Many appliances such as saws or drills draw more current than indicated on the manufacturer's nameplate when under severe load.

### STARTING THE GENERATOR SET

Before attempting to start the generator set, ensure that all instructions given in previous sections have been followed completely.

- Check oil and fuel levels.
- Turn the fuel shut-off valve on.
- Move the choke lever on the front of the engine on. Note: the choke may not be required when the engine is warm or in high ambient temperatures.
- Turn idle-control On/Off switch OFF.

### RECOIL START

- Move engine On/Off switch to On position.
- Slowly pull recoil cord until resistance is felt and then pull firmly. Let the recoil rewind slowly to avoid damage.
- Return the choke to the original position.

### ELECTRIC START (DXGN7200)

- Move engine On/Off switch to On position.
- Push and hold the On/Off switch in the Start position until the engine starts and release. Note: If the engine does not start after 5 seconds, stop and wait 10 seconds and repeat this step.
- Return the choke to the original position.

### ELECTRIC START (DXGN14000)

- Turn the key switch to "START". Release key switch after the engine starts.
- Return the choke to the original position.

**CAUTION:** This generator is equipped with an oil protection system. When oil levels are too low for safe operation the engine will shut down and/or will not start until the oil level is corrected.

### OPERATING THE GENERATOR SET

Once started, allow the engine to stabilize for approximately 3 minutes. Check that the circuit breakers and the GFCI receptacles are not tripped. Turn the idle-control switch to the On position if this feature is to be utilized. Set the voltage selector switch to the appropriate mode, either 120V or 120/240V. See the guides below for more information on the idle-control and voltage selector features.

### IDLE CONTROL GUIDE (applicable models)

The automatic idle control system is available on some generators. This feature allows the engine to automatically idle down when there is no load drawn against the generator thus saving fuel, decreasing wear and lowering the noise level. There is an on-off switch located on the control panel that activates or deactivates this feature. In the on position the engine will idle down after detection of less than 40 Watts. The engine will return to the correct running speed immediately when a load of 350 Watts or more is applied. For applications with loads less than 50W or with near constant loads, such as home back up, it is best to turn the idle control feature off. The feature should be turned off before starting or stopping the generator and turned on when there will be extended periods of inactivity for the generator.

**Model DXGN14000: A 12V battery must be installed in order for the idle control to function.**

### VOLTAGE SELECTOR GUIDE (applicable models)

The voltage selector switch allows the generator set to produce 120 volts only or to produce 120/240 volts simultaneously. With the switch in the 120V position only the 120V receptacles may be used. All of the power from the generator is available at 120 volts but the 240V output is not available. In the 120/240V position all receptacles are operable however only half of the generator output is available at any one 120V receptacle. Full power may be pulled from the generator from the 240V receptacle. The switch should always be left in the 120V position when 240 volts are not needed. This balances the load on the generator more effectively.

### STOPPING THE GENERATOR SET

Unplug all appliances and let the engine run unloaded for a couple of minutes. Turn the engine On/Off switch or key switch to the Off position. Turn the fuel shut-off valve to the Off position.

**NOTICE:** Never use the choke to stop the engine.

## GENERATOR APPLICATION

### WHAT IS A GENERATOR

A generator is basically a prime mover, typically a gasoline or diesel engine, coupled to an alternator to produce electricity. It is very useful as a substitute power source during power outages or as the primary source in remote locations where power is not available. Generators are essential for people such as contractors or farmers who are always in need of portable power. They are also very convenient for recreational use.

### SELECTING A GENERATOR

Selecting the proper generator is important. A generator that is too small for your application will not run all of the equipment needed. A generator that is too large will cost more and if never used to its potential the money is wasted. The correct size generator is determined by totaling the wattage requirements of the items to be used simultaneously, determine additional starting wattage requirements and total these numbers. Select a generator with a continuous rating that exceeds this by about 20% to allow for expansion. See the table in the section titled "Generator Set Overload" for some wattage guidelines of common equipment.

### RATED vs. SURGE WATTS

Rated, or continuous, watts are the watts an item needs as it is running.

Surge, or maximum, watts are the watts an item needs to start. This is typically 2-4 times the rated watts.

This information is typically provided on the manufacturer's nameplate. If watts are not provided, it can be calculated using the formula: Watts=Amps x Volts.

### EXTENSION CORDS

An extension cord should always be in good condition with no damage to the wires or sheathing. Never run an extension cord through water. The correct wire size for an extension cord can be determined from the table that follows.

Continuous Load	Minimum Cord Gauge (AWG)		
	0-50 Feet	50-100 Feet	100-150 Feet
Amps			
20	12	10	8
25	12	10	6
30	10	8	6
35	10	8	4
40	8	6	2
50	6	4	2

### LOADING YOUR GENERATOR SET

With reference to the Receptacle details section, please review the power receptacles fitted to your generator. The circuit breaker rating and the generator rating drive the actual load that may be pulled from each receptacle. The ratings shown in the table are the maximum available from each receptacle.

**⚠ WARNING** DO NOT EXCEED THE INDIVIDUAL RECEPTACLE RATINGS AS SHOWN IN THE TABLE BELOW. DO NOT EXCEED THE TOTAL GENERATOR NAMEPLATE RATING. All generator units are equipped with a thermal-magnetic main circuit breaker as well as a "PUSH TO RESET" breaker on branch circuits.

### AMPERAGE RATE TABLE

Model	NEMA 5-20R 125V GFCI	NEMA L5-30R 125V Twistlock	NEMA L14-20R 125/250V Twistlock	NEMA L14-30R 125/250V Twistlock	NEMA 14-50R 125/250V
DXGN4500	20 Amps	30 Amps*	20 Amps*	NA	NA
DXGN6000	20 Amps	30 Amps*	NA	30 Amps*	NA
DXGN7200	20 Amps	30 Amps	NA	30 Amps	NA
DXGN14000	20 Amps	NA	NA	30 Amps	50 Amps

\* With voltage selector in 120V mode

### RECEPTACLE DETAILS

The receptacles shown in this section are for reference only. Each receptacle is not available on all generators.



NEMA 5-20R  
125V - 20A



NEMA L5-30R  
125V - 30A



NEMA L6-30R  
250V - 30A



NEMA L6-20R  
250V - 20A



NEMA 14-50R  
125/250V - 50A



NEMA L14-20R  
125/250V - 20A



NEMA L14-30R  
125/250V - 30A

### ENGINE LIMITATIONS ON GENERATOR PERFORMANCE

Generator ratings assume 60°F (20C) and Sea Level. Operation of your generator at temperatures above 60°F (20C) or above Sea Level will result in lower electrical output. Electrical output must be derated 1% for each 10°F above 60°F and 3 ½ % for each 1000 feet above mean sea level.

### GENERATOR CLEANING

**⚠ WARNING** ALWAYS SHUT DOWN THE GENERATOR AND ALLOW IT TO COOL COMPLETELY BEFORE PERFORMING CLEANING OPERATIONS.

**⚠ WARNING** DO NOT USE HIGH PRESSURE WATER OR A GARDEN HOSE TO CLEAN YOUR GENERATOR. WATER INTRODUCED INTO THE GENERATOR CAN CAUSE ELECTRICAL SHORTS, GENERATOR DAMAGE OR PERSONAL INJURY.

- Compressed air (max. 25 psi) may be used to blow loose dirt and dust from your generator. DO NOT DIRECT COMPRESSED AIR DIRECTLY INTO ANY OPENING IN THE GENERATOR OR ENGINE.
- Use a dampened cloth to wipe clean exterior surfaces.
- Use a soft bristle brush to clean/ loosen heavy dirt, oil or grease deposits.
- NEVER insert rags, tools or any device into the generator or engine openings.

## GENERAL STORAGE GUIDELINES

**⚠ WARNING** GASOLINE FUEL FUMES ARE FLAMMABLE. DO NOT STORE YOUR GENSET IN ANY AREA THAT IS INDOOR OR IN POORLY VENTILATED AREAS. GASOLINE FUEL FUMES CAN IGNITE IN THE PRESENCE OF ANY OPEN FLAME, PILOT LIGHT, CLOTHES DRYER, WATER HEATER, ETC.

Your generator should be started and operated for several minutes at least every 30 days. When the generator set is not being operated or is being stored more than one month, follow these instructions:

1. Replenish engine oil to upper level.
2. Run the generator, then close the fuel shut-off valve and allow the unit to run until the engine stops.
3. Move the engine switch to the "OFF" position. (Turn

- the key switch to "OFF" on the DXGN14000 model).
4. After the unit has cooled, drain gasoline from fuel tank, fuel line and carburetor.
5. Pour about one teaspoon of engine oil through the spark plug hole, pull the recoil starter several times and replace the plug. Then pull the starter until you feel the piston is on its compression stroke and leave it in that position. This closes both the intake and exhaust valves to prevent the inside of the cylinder from rusting.
6. Cover the unit and store in a clean, dry place that is well ventilated away from open flame or sparks.

**NOTICE:** We recommend always using a fuel stabilizer. A fuel stabilizer will minimize the formulation of fuel gum deposits during storage. The fuel stabilizer can be added to the gasoline in the fuel tank, or into the gasoline in a storage container.

## GENERAL MAINTENANCE

Proper maintenance and service are required to achieve maximum engine life and maintain warranty. The following tables provide engine specifications as well as maintenance schedules for the generator engines. Note that the generator models are referenced with the engine model. An engine owner's manual is provided with each machine that also provides basic maintenance and troubleshooting information. Defer to the engine manufacturers manual if any discrepancies appear between the data provided in this manual and the engine owner's manual. Full engine service manuals are available from American Honda Motor Co., 4900 Marconi Drive, Alpharetta, GA 30005-8847, (800) 910-1293.

### ENGINE SPECIFICATIONS AND CAPACITIES

Model	GX270 (DXGN4500)	GX340 (DXGN6000)	GX390 (DXGN7200)	GX630 (DXGN14000)
Type	4-stroke, overhead valve single cylinder, inclined 25°			4-stroke, overhead valve, V-Twin
Displacement	270cc (16.5 cu in)	389cc (23.7 cu in)	389cc (23.7 cu in)	688cc (42.0 cu in)
Bore and Stroke	73 x 58 mm (2.9 x 2.3 in)	88 x 64 mm (3.5 x 2.5 in)	88 x 64 mm (3.5 x 2.5 in)	78 x 72 mm (3.1 x 2.8 in)
Net HP	8.5 hp @3600rpm	10.7 hp @3600rpm	11.7 hp @3600rpm	20.2hp @3600rpm
Net Torque	14.1ft-lb @2500rpm	19.5ft-lb @2500rpm	19.5ft-lb @2500rpm	35.1ft-lb @2500rpm
Compression Ratio	8.5 : 1	8.2 : 1	8.2 : 1	9.3 : 1
Cooling System	Forced-air			
Ignition System	Transistorized magneto			
Ignition Timing			25° B.T.D.C. (fixed)	
Spark Plug	BPR6ES (NGK), W20EPR-U (Nippondenso)			
Carburetor	Horizontal type, butterfly valve			
Air Cleaner	Dual element type			
Lubricating System	Splash		Forced Oil	
Oil Capacity	1.1l (1.16 US qt)	1.1l (1.16 US qt)	1.1l (1.16 US qt)	2.0 l (2.1 US qt)
Starting System	Recoil	Recoil	Recoil/Electric	Electric
Stopping System	Ignition primary circuit ground			
Fuel Type	Unleaded gasoline (86 pump octane)			
PTO Shaft Rotation	Counterclockwise (from PTO side)			
Dry Weight	25.0 kg (55.1 lb)	31.5 kg (69 lb)	31.5 kg (69 lb)	44.0 kg (96.8 lb)

## OIL SELECTION

Proper oil selection as well as proper oil level is critical to achieve maximum engine life. Use high detergent, premium quality motor oil certified for service class SJ that should be designated on the container. SAE 10W-30 is recommended for general, all temperature use. Use the table below to select the proper oil for the temperature in your area.

Viscosity	-30C/-22F	-20C/-4F	-10C/14F	0C/32F	10C/50F	20C/68F	30C/86F	40C/104F
Single	10W 20W 20 30 40							
Multi	20W-40, 20W-50 15W-40, 15W-50 10W-40 10W-30							

## ENGINE MAINTENANCE SCHEDULE

ITEM		Each Use	First Month Or 20 Hrs	3 Months Or 50 Hrs	6 Months Or 100 Hrs	Every Year Or 300 Hrs
Oil	Check	X				
	Change		X		X	
Air Cleaner	Check	X				
	Clean			X (1)		
Sediment Cup	Clean				X	
Spark Plug	Check-Clean				X	
Spark Arrester	Clean				X	
Valve Clearance	Check-Adjust					X (2)
Fuel Tank and Strainer	Clean					X (2)
Fuel Line	Check	Replace as necessary.				

### Notes:

- (1) Service more frequently in dusty areas.
- (2) Should be serviced by authorized dealer unless owner has proper tools and is mechanically proficient. See engine Shop Manual for instructions.

## DAILY INSPECTION

1. Recoil Starter Cord
2. Engine Oil Level
3. Check for Engine Oil or Fuel Leaks
4. Inspect Spark Plug Cables
5. Inspect Cooling System for Cleanliness
6. Listen for Abnormal Noise
7. Look for Abnormal Vibration



## SPARK ARRESTER

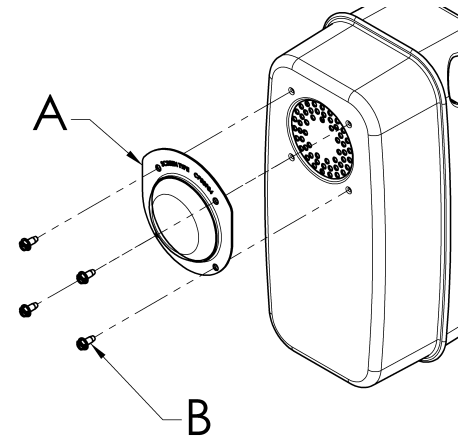
The spark arrester must be serviced every 100 hours to keep it functioning as designed.

If the engine has been running, the muffler will be hot. Allow it to cool before servicing the spark arrester.

### DXGN4500, DXGN6000, and DXGN7200

Clean and inspect the spark arrester as follows:

1. Remove the four screws (B) and spark arrester screen (A) from the muffler.
2. Use a brush to remove carbon deposits from the spark arrester screen. Be careful to avoid damaging the screen.
3. The spark arrester must be free of breaks and holes. Replace the spark arrester if it is damaged.
4. Attach the spark arresting screen (A) to the muffler by aligning the holes in the screen with the holes pierced in the muffler. Thread the four screws (B) into the holes and tighten securely.



### DXGN14000

See instructions supplied with Spark Arrester Kit.


## FAULT FINDING GUIDE

SYMPTOMS	PROBABLE CAUSES	CORRECTION
ENGINE WILL NOT START	<ol style="list-style-type: none"> <li>1. Oil level too low.</li> <li>2. No fuel or valve(s) turned off.</li> <li>3. Start switch turned Off.</li> <li>4. Blocked or leaking fuel system.</li> <li>5. Clogged air filter.</li> <li>6. Genset under load at start-up.</li> </ol>	<ol style="list-style-type: none"> <li>1. Add oil.</li> <li>2. Add fuel and/or turn valve(s) on.</li> <li>3. Turn switch On.</li> <li>4. Repair fuel system.</li> <li>5. Clean or replace air filter.</li> <li>6. Disconnect load.</li> </ol>
NO POWER OUTPUT	<ol style="list-style-type: none"> <li>1. Circuit breaker tripped.</li> <li>2. GFCI receptacle tripped.</li> <li>3. Faulty circuit breaker.</li> <li>4. Faulty receptacle.</li> <li>5. Faulty capacitor in alternator.</li> <li>6. Faulty diodes in alternator.</li> <li>7. Failure in alternator windings.</li> </ol>	<ol style="list-style-type: none"> <li>1. Reset circuit breaker.</li> <li>2. Reset GFCI receptacle.</li> <li>3. Replace circuit breaker.</li> <li>4. Replace receptacle.</li> <li>5. Replace capacitor.</li> <li>6. Replace diodes.</li> <li>7. Repair or replace alternator.</li> </ol>
NOISY MACHINE	<ol style="list-style-type: none"> <li>1. Damaged bearing.</li> <li>2. Damaged exhaust system.</li> <li>3. Loose or rattling parts.</li> </ol>	<ol style="list-style-type: none"> <li>1. Replace bearing.</li> <li>2. Repair or replace.</li> <li>3. Repair loose or rattling parts.</li> </ol>
OVERHEATING	<ol style="list-style-type: none"> <li>1. Ventilation openings blocked.</li> <li>2. Overload.</li> <li>3. Ambient temperature too high.</li> </ol>	<ol style="list-style-type: none"> <li>1. Clear ventilation openings.</li> <li>2. Verify load levels.</li> <li>3. Provide better ventilation for cooling.</li> </ol>
CIRCUIT BREAKER TRIPS	<ol style="list-style-type: none"> <li>1. Overloaded circuit.</li> <li>2. Faulty equipment or cable.</li> <li>3. Faulty circuit breaker.</li> </ol>	<ol style="list-style-type: none"> <li>1. Reduce load.</li> <li>2. Check, repair or replace.</li> <li>3. Replace circuit breaker.</li> </ol>

# FRENCH INSTRUCTIONS

## SÉCURITÉ

### DIRECTIVES EN MATIÈRE DE SÉCURITÉ ET DÉFINITIONS

<p><b>⚠ DANGER</b></p> <p>Using a generator indoors <b>CAN KILL YOU IN MINUTES.</b> Generator exhaust contains carbon monoxide. This is a poison you cannot see or smell.</p>  <p><b>NEVER</b> use inside a home or garage, <b>EVEN IF</b> doors and windows are open.</p> <p>Only use <b>OUTSIDE</b> and far away from windows, doors and vents.</p> <p>Avoid other generator hazards. <b>READ MANUAL BEFORE USE.</b></p>	<p><b>⚠ DANGER</b></p> <p>L'utilisation d'un générateur à l'intérieur <b>PEUT VOUS TUER EN QUELQUES MINUTES.</b> L'émission d'un générateur contient du monoxyde de carbone. Cela est un déléterre invisible et inodore.</p> <p>Ne l'utilisez jamais à l'intérieur d'une maison ou d'un garage et ce, <b>MÊME SI</b> les portes et fenêtres sont ouvertes.</p> <p>Utilisez-le uniquement à l'EXTÉRIEUR et loin des fenêtres, des portes et des conduits de ventilation.</p> <p>Évitez les autres risques associés à générateur. <b>LISEZ LE MANUEL AVANT USAGE.</b></p>	<p><b>⚠ PELIGRO</b></p> <p>La utilización de un generador en un lugar interior <b>PUEDE MATARLO A USTED EN MINUTOS.</b> Los gases de escape del generador contienen monóxido de carbono. Este es un venenoso que usted no puede ver ni oler.</p> <p>No use nunca el generador dentro de una casa o un garaje, <b>INCLUSO SI</b> las puertas y las ventanas están abiertas.</p> <p>Use el generador solamente en el EXTERIOR y alejada de las ventanas, las puertas y los respiraderos.</p> <p>Evite otros peligros del generador. <b>LEA EL MANUAL DEL USUARIO ANTES DE USARLO.</b></p>
---	---	---

Ce manuel d'instructions contient des renseignements importants que vous devez connaître et comprendre afin d'appliquer et d'utiliser votre générateur de manière correcte, efficace et en toute sécurité. Tous les opérateurs, utilisateurs et propriétaires ultérieurs de ce générateur doivent lire et comprendre toutes ces instructions avant d'utiliser l'appareil. Conservez ces instructions à titre de référence ultérieure.

Pour vous permettre de reconnaître les renseignements importants relatifs à VOTRE SÉCURITÉ et à la PRÉVENTION D'ÉVENTUELS PROBLÈMES, nous utilisons les symboles ci-dessous.

**⚠ DANGER** Indique une situation dangereuse imminente qui, si elle n'est pas évitée, causera la mort ou des blessures graves.

**⚠ AVERTISSEMENT** Indique une situation potentiellement dangereuse qui, si elle n'est pas évitée, pourrait se solder par un décès ou des blessures graves.

**⚠ ATTENTION** Indique une situation potentiellement dangereuse qui, si elle n'est pas évitée pourrait se solder par des blessures mineures ou modérées.

**AVIS :** Indique une pratique ne posant aucun risque de dommages corporels mais qui par contre, si rien n'est fait pour l'éviter, pourrait poser des risques de dommages matériels.

### RÈGLES DE SÉCURITÉ

#### SILENCIEUX COUPE ÉTINCELLES

Certains États et juridictions exigent que les équipements motorisés soient munis de silencieux coupe étincelles. Certains modèles ne sont pas équipés de silencieux coupe étincelles. Si tel est le cas et que les silencieux coupe étincelle sont obligatoires dans votre localité, contacter votre distributeur local pour connaître les instructions concernant la modification à apporter.

#### SYSTÈME DE CONTRÔLE DES ÉMISSIONS D'ÉCHAPPEMENT

Le système de contrôle des émissions d'échappement de cette génératrice est conforme aux exigences établies par la California Air Resources Board (CARB) et le Environmental Protection Agency (EPA). Les fabricants des moteurs respectifs administrent la garantie du système d'échappement. Consulter la documentation du moteur pour des renseignements additionnels concernant la garantie.

### PARE-ÉTINCELLES

S'il doit être utilisé à proximité de matériaux inflammables tels que récoltes, forêts, broussailles, herbes ou autres, il est fortement recommandé d'installer un pare-étincelles, par ailleurs obligatoire en Californie. Les articles de la loi californienne relatifs à l'usage de pare-étincelles sont les suivants : 13005(b), 4442 et 4443. L'usage d'un pare-étincelles est également exigé sur certains des territoires du service des Forêts américain et peut également l'être par d'autres lois et règlements. Un pare-étincelles homologué est disponible auprès de notre concessionnaires ou peut être commandé à DEWALT Industrial Tool Co., 701 East Joppa Road, Baltimore, MD 21286. Téléphone : 1-888-431-6871.

## ⚠ AVERTISSEMENT

**Le tuyau d'échappement de ce produit contient des produits chimiques qui sont reconnus par l'État de Californie comme pouvant causer le cancer, des anomalies congénitales ou d'autres problèmes reproductifs.**

### RISQUE D'ASPHYXIE

**⚠ DANGER** NE PAS FAIRE FONCTIONNER LA GÉNÉRATRICE DANS UN ENDROIT CLOS. LE TUYAU D'ÉCHAPPEMENT DE LA GÉNÉRATRICE ÉMET DU MONOXYDE DE CARBONE MORTEL. L'EXPOSITION AU MONOXYDE DE CARBONE PEUT CAUSER UN EMPOISONNEMENT, DES MAUX DE TÊTES, DES NAUSÉES, DES MALADIES SÉVÈRES OU LA MORT.

### RISQUE D'ÉLECTROCUTION OU CHOC

**⚠ DANGER** CET ENSEMBLE DE GÉNÉRATRICE PRODUIT DU COURANT. PAR CONSÉQUENT, LES RÈGLES DE SÉCURITÉ DOIVENT ÊTRE RESPECTÉES. L'USAGE INAPPROPRIÉ DE CETTE GÉNÉRATRICE PEUT PROVOQUER UNE ÉLECTROCUTION, DES BLESSURES OU LA MORT. NE PAS OPÉRER, FAIRE L'ENTRETIEN OU RÉPARER LA GÉNÉRATRICE SANS POSSÉDER TOUTES LES QUALIFICATIONS NÉCESSAIRES.

**⚠ DANGER** CET ENSEMBLE DE GÉNÉRATRICE EST CONÇU POUR FONCTIONNER UNIQUEMENT À L'EXTÉRIEUR DANS DES CONDITIONS SÈCHES. NE JAMAIS LA FAIRE FONCTIONNER À L'INTÉRIEUR. NE JAMAIS FAIRE FONCTIONNER LA GÉNÉRATRICE SOUS LA PLUIE, DANS LA NEIGE, LE GRÉSIL OU TOUTES AUTRES CONDITIONS NORMALEMENT MOUILLÉES. DES DOMMAGES À LA GÉNÉRATRICE, DES BLESSURES PHYSIQUES OU LA MORT POURRAIENT RÉSULTER D'UNE ÉLECTROCUTION.

**⚠ DANGER** SI CETTE GÉNÉRATRICE EST BRANCHÉE À UN ÉDIFICE, UNE MAISON, UN COMMERCE OU TOUT AUTRE CIRCUIT ÉLECTRIQUE NORMALEMENT ALIMENTÉ PAR LE SERVICE COURANT, LES ÉTAPES DOIVENT ÊTRE SUIVIES POUR S'ASSURER QUE LA SORTIE ÉLECTRIQUE DE LA GÉNÉRATRICE ET LE COURANT UTILISÉ SOIENT POSITIVEMENT ISOLÉS.

POUR CE FAIRE, UTILISER UN INTERRUPTEUR PROPREMENT INSTALLÉ. NE PAS ISOLER LA SOURCE ET LE SYSTÈME ÉLECTRIQUE DE LA GÉNÉRATRICE POURRAIT ABÎMER CELLE-CI ET OCCASIONNER DES BLESSURES OU LA MORT.

**⚠ DANGER** POUR ÉVITER LES RETOURS DE COURANT DANS LE SECTEUR, IL EST NÉCESSAIRE D'ASSURER L'ISOLATION ÉLECTRIQUE DE LA MAISON. AVANT D'EFFECTUER LA CONNEXION TEMPORAIRE DU GÉNÉRATEUR SUR L'INSTALLATION ÉLECTRIQUE DE LA MAISON, COUPER LE COURANT À L'INTERRUPTEUR PRINCIPAL. AVANT DE RÉALISER DES CONNEXIONS PERMANENTES, INSTALLER UN COMMUTATEUR DE TRANSFERT À DEUX DIRECTIONS. POUR ÉVITER TOUTE ÉLECTROCUTION OU DES DOMMAGES MATÉRIELS, FAIRE CONNECTER LE GÉNÉRATEUR À L'INSTALLATION ÉLECTRIQUE DE LA MAISON PAR UN ÉLECTRICIEN QUALIFIÉ. LES LOIS CALIFORNIENNES EXIGENT L'ISOLATION DE L'INSTALLATION ÉLECTRIQUE DE LA MAISON AVANT D'Y CONNECTER UN GROUPE ÉLECTROGÈNE. IL N'EST PAS RECOMMANDÉ DE PROCÉDER AU RACCORDEMENT TEMPORAIRE DE L'APPAREIL EN RAISON DE LA RÉALIMENTATION.

**TOUJOURS OBSERVER LES CODES ET RÈGLEMENTS LOCAUX QUI S'APPLIQUENT À L'INSTALLATION DE TOUT APPAREIL COMPATIBLE AVEC CE PRODUIT.**

1. **NFPA 70 - Code national de l'électricité.**
2. **NFPA 37 - Norme d'installation et d'utilisation des moteurs fixes à combustible.**
3. **Manuel de câblage du réseau d'alimentation de secours des appareils agricoles.**

**⚠ DANGER** NE PAS MODIFIER OU NE PAS FAIRE UN USAGE INAPPROPRIÉ DE VOTRE GÉNÉRATRICE. TOUTE UTILISATION AUTRE QUE CELLES POUR LESQUELLES LA GÉNÉRATRICE EST CONÇUE PEUVENT CONDUIRE À UN BRIS DE LA GÉNÉRATRICE, DES BLESSURES PHYSIQUES OU LA MORT PAR ÉLECTROCUTION.

**⚠ DANGER** NE JAMAIS TOUCHER À UN RÉCÉPTACLE OU À UN FIL DÉNUDÉ CAR IL Y A UN RISQUE D'ÉLECTROCUTION.

**RISQUE D'EXPLOSION OU D'INCENDIE**

**⚠ AVERTISSEMENT** VOUS ASSURER QU'IL Y A UN ESPACE D'AU MOINS 6 PIEDS DE CHAQUE CÔTÉ DE LA GÉNÉRATRICE PENDANT TOUTE LA DURÉE D'UTILISATION. NE PAS LAISSER L'ESPACE NÉCESSAIRE POURRAIT ENDOMMAGER VOTRE GÉNÉRATRICE ET POTENTIELLEMENT CAUSER UN INCENDIE.

**⚠ AVERTISSEMENT** L'ESSENCE EST HAUTEMENT INFLAMMABLE ET SES VAPEURS SONT TRÈS EXPLOSIVES. NE PAS MANIPULER CONVENABLEMENT DE L'ESSENCE PEUT RÉSULTER EN UNE EXPLOSION OU UN INCENDIE. NE PERMETTEZ PAS QUE L'ON FUME À MOINS DE 50 PIEDS DE LA GÉNÉRATRICE.

**⚠ AVERTISSEMENT** NE JAMAIS REMETTRE DE L'ESSENCE LORSQUE LA GÉNÉRATRICE EST CHAUDE. NE JAMAIS REMPLIR LA GÉNÉRATRICE LORSQU'ELLE

FONCTIONNE. RENSERSEUR DE L'ESSENCE SUR LE MOTEUR OU LA GÉNÉRATRICE PEUT CAUSER UNE EXPLOSION OU UN INCENDIE. TOUJOURS ATTENDRE QUE L'ENSEMBLE DE LA GÉNÉRATRICE SOIT REFROIDI AVANT LE REMPLISSAGE.

**⚠ AVERTISSEMENT** NE PAS ENTREPOSER LA GÉNÉRATRICE DANS UN ENDROIT OÙ DES VAPEURS D'ESSENCE PEUVENT ÊTRE EN CONTACT AVEC DES ÉTINCELLES, UN PILOTE OU UNE FLAMME VIVE. L'ENTREPOSAGE INADÉQUAT DE CETTE GÉNÉRATRICE PEUT CAUSER UNE EXPLOSION OU UN INCENDIE.

**⚠ AVERTISSEMENT** INSPECTER LE COUPE ÉTINCELLES PÉRIODIQUEMENT. IL EST REQUIS DANS CERTAINES RÉGIONS ET MINIMISE LES RISQUES D'INCENDIE CAUSÉS PAR LES ÉTINCELLES PROVENANT DU TUYAU D'ÉCHAPPEMENT.

**⚠ AVERTISSEMENT PRUDENCE:** NE PAS FAIRE FONCTIONNER SI LA TEMPÉRATURE AMBIANTE EXCÈDE 104°F/40°C.

**⚠ AVERTISSEMENT** NE PAS DÉPASSER LA CAPACITÉ DE LA GÉNÉRATRICE. LA CHARGE ÉLECTRIQUE DE CHAQUE PRISE DOIT ÊTRE ADDITIONNÉE POUR CONNAÎTRE LA CHARGE ÉLECTRIQUE TOTALE ET ELLE NE DOIT PAS DÉPASSER LA CAPACITÉ DÉTERMINÉE DE LA GÉNÉRATRICE. SI L'APPAREIL UTILISÉ N'AFFICHE PAS LES WATTS, MAIS SEULEMENT L'AMPÉRAGE, LES WATTS PEUVENT ÊTRE CALCULÉS EN MULTIPLIANT L'AMPÉRAGE PAR LE VOLTAGE (WATTS = AMPÈRES X VOLTS).

**SÉCURITÉ GÉNÉRALE**

Toujours suivre les règles électriques Nationales et Locales pertinentes à la génératrice. Les codes nationaux et locaux remplacent les règles ou les informations contenus dans ce manuel.

**⚠ AVERTISSEMENT** REFÉREZ-VOUS AUX RÈGLES ÉLECTRIQUES LOCALES ET NATIONALES POUR DÉTERMINER CE QUI EST NÉCESSAIRE POUR EFFECTUER LA MISE À LA TERRE, CE QUI PEUT VARIER D'UNE APPLICATION À UNE AUTRE. LA GÉNÉRATRICE EST MISE À LA TERRE À L'INTÉRIEUR DE LA STRUCTURE. DANS LES ENDROITS OU UNE MISE À LA TERRE EXTERNE EST REQUISE, RACCORDER LA GÉNÉRATRICE À UN CONDUCTEUR PHYSIQUE DE MISE À LA TERRE. UN FIL DE CUIVRE SANS PLI, DE LONGUEUR CONTINUE AYANT UN MINIMUM DE 6 AWG DOIT ÊTRE UTILISÉ.

- Prendre les précautions nécessaires afin de ne pas renverser de l'essence lorsque vous déplacez ou transportez cette génératrice et faire toujours preuve d'un bon jugement lorsque vous soulevez la génératrice. Un nombre suffisant de personnes et une technique adéquate doivent être utilisés pour soulever la génératrice.
- Ne pas couvrir la génératrice pendant son fonctionnement ou juste après son interruption. Il faut toujours allouer une certaine période d'attente pour permettre le refroidissement avant de couvrir la génératrice.
- Faire fonctionner la génératrice seulement si elle est en bonne condition électrique et mécanique.

- Toujours garder vos mains, autres parties du corps, cheveux et vêtements loin des pièces rotatives de la génératrice.
- Ne pas mettre la génératrice en marche avec un appareil raccordé en mode " ON ". Être toujours certains que les appareils utilisés sont disconnectés de la génératrice ou en mode " OFF " (arrêt).
- L'utilisation de la génératrice au travail ou sur les sites de construction peut nécessiter des réceptacles de disjoncteur de fuite de terre (DFT).
- Utiliser uniquement des rallonges en bonne condition avec mise à la terre et assurez-vous que le fil à l'intérieur de la rallonge soit suffisamment gros pour transporter sécuritairement l'intensité de courant produite par la génératrice.
- Ne pas manipuler les rallonges électriques si elles sont dans l'eau ou dans un endroit mouillé.

### RISQUE DE BLESSURE CORPORELLE

**⚠ AVERTISSEMENT** GARDER VOS MAINS, PARTIES DU CORPS, CHEVEUX OU VÊTEMENTS LOIN DES PARTIES CHAUDES DE LA GÉNÉRATRICE PENDANT ET APRÈS L'UTILISATION. LE SYSTÈME D'ÉCHAPPEMENT ET LA GÉNÉRATRICE PEUVENT DEMEURER TRÈS CHAUDS, MÊME APRÈS LA MISE EN ARRÊT.

**⚠ AVERTISSEMENT** NE PAS MODIFIER LA VITESSE DU MOTEUR. LA GÉNÉRATRICE FONCTIONNE À UNE VITESSE NOMINALE DE 3600 TR/MIN. UNE AUGMENTATION DE LA VITESSE NOMINALE DE 3600 TR/MIN ACCROÎT LE RISQUE DE BLESSURES PHYSIQUES CAUSÉES PAR LE CHOC ROTATIONNEL DES MEMBRES ROTATIFS. L'UTILISATION DE LA GÉNÉRATRICE À UNE VITESSE NOMINALE INFÉRIEURE À 3600 TR/MIN PEUT CAUSER DES DOMMAGES À LA GÉNÉRATRICE OU À L'APPAREIL UTILISÉ EN RAISON DU BAS VOLTAGE.

### PRÉCAUTIONS À PRENDRE AVEC LA BATTERIE

**⚠ AVERTISSEMENT** LES BATTERIES DE REMISAGE PRODUISENT ET RELÂCHENT DES GAZ EXPLOSIFS D'HYDROGÈNE LORSQU'ELLES SE RECHARGENT. LA MOINDRE ÉTINCELLE, FLAMME OU TISON PEUT ALLUMER CES GAZ ET PRODUIRE UNE SÉRIEUSE EXPLOSION QUI POURRAIT CAUSER LA CÉCITÉ OU D'AUTRES BLESSURES SÉRIEUSES. PORTER DES VERRERES DE SÉCURITÉ, UN TABLIER ET DES GANTS EN CAOUTCHOUC LORSQUE VOUS TRAVAILLEZ PRÈS OU À L'ENTRETIEN D'UNE BATTERIE. LE LIQUIDE CONTENU DANS UNE BATTERIE EST DE L'ACIDE SULFURIQUE EXTREMEMENT CORROSIVE ET PEUT CAUSER DES BLESSURES SÉRIEUSES. TOUJOURS DÉBRANCHER LE CÂBLE DU PÔLE NÉGATIF DE LA BATTERIE AVANT DE FAIRE L'ENTRETIEN DE LA BATTERIE OU AVANT FAIRE N'IMPORTE QUEL ENTRETIEN ÉLECTRIQUE SUR LA GÉNÉRATRICE OU LE MOTEUR.

### PROTECTION ENVIRONNEMENTALE

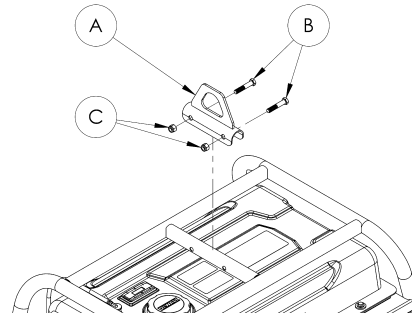
**⚠ ATTENTION** INSPECTER LE SYSTÈME D'ÉCHAPPEMENT RÉGULIÈREMENT POUR VOUS ASSURER QU'IL FONCTIONNE CORRECTEMENT. UN TUYAU D'ÉCHAPPEMENT QUI FUIT AUGMENTE LE NIVEAU DE BRUIT.

**⚠ ATTENTION** DIRIGER LE CÔTÉ " BRUYANT " DE LA GÉNÉRATRICE VERS UN ENDROIT OUVERT. ÉVITEZ LA RÉSONANCE D'UN MUR OU D'UN ÉDIFICE POUR NE PAS AMPLIFIER LE SON.

**⚠ ATTENTION** NE JAMAIS VIDANGER L'HUILE DU MOTEUR SUR LE SOL OU DANS LE SYSTÈME D'ÉGOUT.

### ASSEMBLAGE DE LA BARRE DE LEVAGE

Fixez le crochet de levage (A) au dispositif de transport à l'aide de boulons de 3/8 x 2,00" (B) et d'écrous nyloc de 3/8 (C) comme indiqué dans l'illustration. Serrez les boulons fermement.



### SOULEVER OU SUSPENDRE LE GÉNÉRATEUR

**⚠ AVERTISSEMENT** Une fixation incorrecte des câbles, chaînes ou sangles pour soulever le générateur peut provoquer des dommages matériels, des blessures graves, voire le décès, et annule la garantie du fabricant.

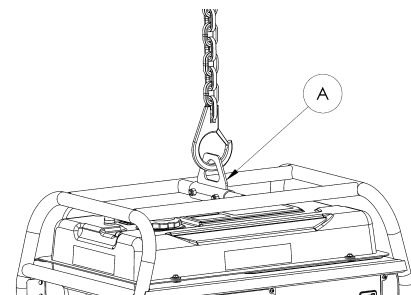
**⚠ AVERTISSEMENT** Toujours se servir de câbles, chaînes ou sangles prévus pour une charge d'utilisation de 907,2 kg (2 000 lb) ou plus pour soulever ou suspendre le générateur.

**⚠ AVERTISSEMENT** Ne jamais se servir du générateur alors qu'il est suspendu. Une telle pratique pourrait provoquer des dommages matériels, des blessures graves, voire le décès.

**⚠ AVERTISSEMENT** NE PAS suspendre des objets autres que le générateur à partir de la barre de levage.

**⚠ AVERTISSEMENT** S'assurer que toute la quincaillerie du cadre et de la barre de levage soit serrée.

Acheminer le câble, chaîne ou sangle dans la barre de levage (A) comme indiqué. TOUJOURS utiliser la barre de levage pour soulever ou suspendre le générateur.



**AVIS :** S'assurer que le générateur soit de niveau avant de le soulever ou suspendre pour empêcher tout dommage.

## Accessoires

Les accessoires recommandés pour votre outil peuvent être achetés auprès du distributeur local ou d'un centre de réparation agréé. Pour toute assistance en matière d'accessoires convenant à l'outil acheté, communiquer avec DEWALT Industrial Tool Co., 701 East Joppa Road, Baltimore, MD 21286, États-Unis, composer le 1-888-431-6871 ou visiter notre site Web à [www.dewalt.com](http://www.dewalt.com).

## Information sur les réparations

Veillez recueillir les informations suivantes pour tous les appels au Service à la clientèle :

Numéro du modèle \_\_\_\_\_ Numéro de série \_\_\_\_\_

Date et lieu de l'achat \_\_\_\_\_

## Réparations

Pour assurer la SÉCURITÉ et la FIABILITÉ du produit, les réparations, l'entretien et les réglages doivent être réalisés par un centre de réparation en usine de DEWALT, un centre de réparation agréé DEWALT ou par un personnel de réparation professionnel. Toujours utiliser des pièces de rechange identiques.

## Garantie complète de trois ans - Etats-Unis et Canada

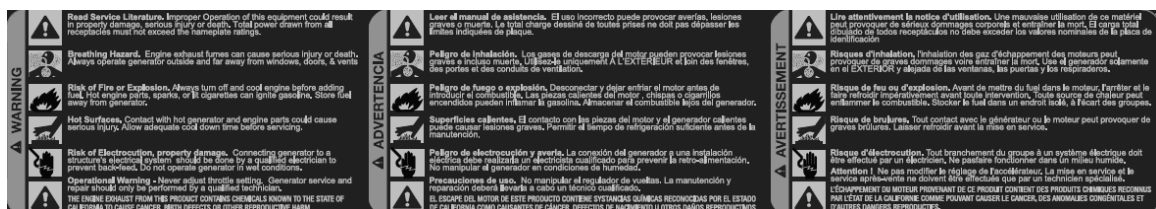
Les générateurs DEWALT de service intensif sont garantis pour trois (3) ans à partir de la date d'achat aux Etats-Unis et le Canada. DEWALT réparera gratuitement toutes les défauts provoqués par un défaut de matériel ou de fabrication. Pour des renseignements relatifs aux réparations sous garantie, visiter le site Web [www.dewalt.com](http://www.dewalt.com) ou composer le 1-888-431-6871. Cette garantie ne s'applique pas aux accessoires ni aux dommages causés par des réparations réalisées ou tentées par des tiers. Cette garantie vous accorde des droits légaux spécifiques et il est possible que vous ayez d'autres droits qui varient d'un État ou d'une province à l'autre.

## Garantie complète de un an - Mexique

Les générateurs DEWALT de service intensif sont garantis pour un (1) an à partir de la date d'achat au Mexique. DEWALT réparera gratuitement toutes les défauts provoqués par un défaut de matériel ou de fabrication. Pour des renseignements relatifs aux réparations sous garantie, visiter le site Web [www.dewalt.com](http://www.dewalt.com) ou composer le 1-888-431-6871. Cette garantie ne s'applique pas aux accessoires ni aux dommages causés par des réparations réalisées ou tentées par des tiers. Cette garantie vous accorde des droits légaux spécifiques et il est possible que vous ayez d'autres droits qui varient d'un État à l'autre.

**AMÉRIQUE LATINE. (SAUF LE MEXIQUE):** Cette garantie ne s'applique pas aux produits vendus en Amérique latine. Pour ceux-ci, veuillez consulter les informations relatives à la garantie spécifique présente dans l'emballage, appeler l'entreprise locale ou consulter le site Web pour les informations relatives à cette garantie.

**REPLACEMENT GRATUIT DES ÉTIQUETTES D'AVERTISSEMENT:** si les étiquettes d'avertissement deviennent illisibles ou sont manquantes, composez le 1-888-431-6871 pour en obtenir le remplacement gratuit.



## UTILISATION INFORMATION GÉNÉRALE

Ce manuel a été préparé pour vous informer sur l'utilisation et l'entretien de ce produit. Étudier attentivement les informations fournies pour éviter des problèmes liés à un usage inapproprié ou un mauvais entretien. Vérifier que votre ensemble sera complet et en bon état dès la réception de votre génératrice.

La génératrice comprend un moteur à 4 temps refroidi à l'air, couplé à un alternateur produisant 125 VAC ou 125/250 VAC, selon le modèle. La vitesse approximative sans charge est de 3751 tr/min avec une vitesse avec charge d'environ 3600 tr/min, pour la production d'une fréquence de 60Hz.

### INSPECTION INITIALE

Une fois que vous aurez reçu votre ensemble de génératrice, inspecter le produit afin de vous assurer qu'il est complet et en bonne condition. Manipuler avec soin et placer dans un endroit convenable pour l'utilisation ou le remisage.

### MISE À LA TERRE

Le générateur doit être relié à la terre pour réduire les risques de décharge électrique. Pour ce faire, vous aurez besoin d'une tige de mise à la terre et d'un fil de cuivre conducteur de terre d'une grosseur appropriée. Enfoncer la tige de mise à la terre dans le sol, connecter une extrémité du fil de cuivre à la tige et l'autre extrémité à la prise extérieure de mise à la terre située sur la génératrice. Ceci n'est qu'une explication générale, consulter les codes électriques nationaux et locaux pour en assurer la conformité.

### LE GENERATEUR LIEN NEUTRE

Il y a un conducteur permanent entre le générateur (stator bobinage) et le cadre.

### AVANT LE DÉMARRAGE

#### ESSENCE DU MOTEUR

Utiliser de l'essence sans plomb avec un indice d'octane minimum de 86. Vérifier la jauge à essence à côté du réservoir et en ajouter si nécessaire.

#### **ATTENTION**

- LENTEMENT AJOUTER SANS PLOMB ESSENCE AU RESERVOIR DE CARBURANT
- NE REMPLISSEZ PAS TROP LE RESERVOIR
- LAISSEZ 1,5 POUCE (38 MM) D'ESPACE DE RESERVOIR POUR L'EXPANSION DE CARBURANT



#### Huile à moteur

Le manuel du moteur ou toute autre information fournie par le fabricant du moteur remplace les données fournies. La qualité d'huile adéquate varie selon le climat. La qualité énumérée dans le tableau est adéquate, mais consulter tout de même le manuel du moteur pour vérifier. La qualité de l'huile à utiliser varie selon le climat. Les orifices pour le remplissage d'huile sont situés de chaque côté du moteur. Le bouchon gris comporte une tige graduée. Ajouter la quantité suffisante d'huile et vérifier le niveau à l'aide de la tige graduée. NOTE: la tige graduée doit être insérée dans l'ouverture sans être tournée.

MOTEUR	HP	Capacité	Qualité
Honda GX270	8.5	1.16 qt (1.1 l)	API SJ SAE 10W-30
Honda GX340	10.7	1.16 qt (1.1 l)	API SJ SAE 10W-30
Honda GX390	11.7	1.16 qt (1.1 l)	API SJ SAE 10W-30
Honda GX630	20.2	2.1 qt (2.0 l)	API SJ SAE 10W-30

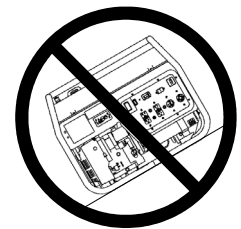
### BATTERIE DE DÉMARRAGE (Modèles électriques seulement)

Elle est certifiée 12V-18AH (12V-34AH pour DXGN14000) et elle est complètement chargée si elle affiche 13.7VDC que vous pouvez mesurer à l'aide d'un voltmètre.

### POSITIONNEMENT

- Placer la génératrice sur une surface plane et solide afin d'éviter qu'elle coule.
- Gardez les carburants, pétrole et tout autre matériau inflammable ou combustible à une distance sécuritaire du groupe électrogène.
- Choisir un endroit bien ventilé et protégé des intempéries.
- Placer la génératrice loin des animaux et des humains.

**ATTENTION** PENCHER PEUT CAUSER DU RENVERSEMENT DE CARBURANT



### UTILISATION

Vérifier le niveau d'huile avant chaque utilisation. Ne jamais faire fonctionner avec une quantité insuffisante d'huile.

#### Surcharge de la génératrice

Ne pas dépasser la capacité recommandée de la génératrice lorsque utilisée en continue. Avant de brancher des pièces à la génératrice, déterminer les besoins totaux en électricité du produit à connecter. Les besoins de chaque pièce sont généralement inscrits sur la plaque d'identification du fabricant. Voici une liste des pièces communément utilisées et leurs besoins typiques. Utiliser cette liste comme référence seulement s'il n'y a pas d'autres données.

## GUIDE GÉNÉRAL DES WATTS

Pièce	Watts en marche
Air conditionné (12000 Btu) (*)	1750
Compresseur à air (1/2 HP) (*)	1400
Compresseur à air (3/4 HP) (*)	1800
Compresseur à air (1 HP) (*)	2000
Chargeur de batterie (25A)	600
Sableuse à ruban (3" ruban)	1000
Scie circulaire (7 1/4")	825-1050
Cafetière	900-1100
Taille bordure (gazon)	550
Ventilateur de fournaise (1/3 HP) (*)	1200
Réchaud (simple)	1500
Clef à impact	600
Ampoule	Classement d'ampoule
Marteau pneumatique	1200
Micro-onde	750
Fusil à peinture (1/3 HP) (*)	650
Fusil à peinture, pulvérisateur manuel	175
Radio	50-200
Réfrigérateur (*)	600
Banc de scie (10") (*)	2000
Télévision	250-550
Taille haies	500

Note: (\*) Les pièces ont besoin de 3 fois le wattage inscrit lors du démarrage.

NOTE: Plusieurs appareils tels que les scies ou les perceuses demandent plus de courant qu'indiqué sur la plaque lorsque surchargés.

### DÉMARRER LA GÉNÉRATRICE

Avant de démarrer votre génératrice, assurez-vous d'avoir suivi toutes les instructions des sections précédentes.

- Vérifier les niveaux d'huile et d'essence.
- Ouvrir la valve d'essence.
- Déplacer le levier de l'"étrangleur" à l'avant en position "ON". Note: l'étrangleur n'est pas obligatoire si le moteur est chaud ou dans des températures ambiantes élevées.
- Tournez l'interrupteur au ralenti-contrôle à "OFF".

### DÉMARRAGE MANUEL

- Mettre l'interrupteur ON/OFF du moteur en position ON.
- Tirer le cordon de recul jusqu'à ce qu'une résistance se fasse sentir, tirer ensuite fermement. Laisser le cordon revenir doucement pour ne pas le briser.
- Remettre l'étrangleur à sa position initiale.

### DÉMARRAGE ÉLECTRIQUE (DXGN7200)

- Mettre l'interrupteur ON/OFF du moteur en position ON.
- Presser et maintenir l'interrupteur ON/OFF en position de démarrage jusqu'à ce que le moteur démarre. Note: Si le moteur ne démarre pas en 5 secondes, attendre 10 secondes et répéter les instructions.
- Remettre l'étrangleur à sa position initiale.

### DÉMARRAGE ÉLECTRIQUE (DXGN14000)

- Tournez l'interrupteur sur "START". Après que le moteur démarre, relâchez l'interrupteur.
- Remettre l'étrangleur à sa position initiale.

**ATTENTION:** Cette génératrice est équipée d'un système de protection d'huile. Le moteur s'éteint et/ou ne démarre pas lorsque le niveau d'huile est trop bas pour un usage sécuritaire.

### UTILISATION DE LA GÉNÉRATRICE

Une fois en marche, allouer approximativement 3 minutes au moteur pour se stabiliser. Vérifier que les disjoncteurs et les réceptacles (prises femelles) GFCI sont correctes. Tourner le commutateur de contrôle en position ON si cette fonction doit être utilisée. Mettre le commutateur de sélecteur de tension au mode approprié, 120V ou 120/240V. Voir les guides ci-dessous pour plus d'information sur le contrôle et les fonctions (dispositifs) de sélecteur de tension.

### GUIDE DU CONTRÔLE DE RALENTI (modèles applicables)

Le système de contrôle automatique de ralenti est disponible sur certaines génératrices. Cette fonction permet au moteur de ralentir automatiquement lorsqu'il n'y a pas de charge demandée à la génératrice ce qui économise l'essence, diminue l'usure et le bruit. Il y a un commutateur ON-OFF sur le panneau de contrôle qui active ou désactive cette fonction. Sur la position ON, le moteur ralentit s'il ne détecte pas de charge supérieure à 40 watts. Le moteur retournera à sa vitesse normale dès qu'une charge de 350 watts ou plus sera appliquée. Lorsque vous utilisez des charges de moins de 50 watts, comme dans le cas d'un usage de secours dans une maison cette option devra être désactivée. Cette option devra être fermée lorsque vous démarrez ou arrêtez la génératrice et allumée lorsqu'il y a des périodes d'inactivité de la génératrice.

**Modèle DXGN14000: Un 12V batterie être installée pour le commande de ralenti pour fonctionner.**

### GUIDE DE SÉLECTION DU VOLTAGE (modèles applicables)

Le commutateur de sélection de voltage permet à la génératrice de produire 120 volts seul ou 120/240 simultanément. Seuls les réceptacles 120V doivent être utilisés avec le commutateur en position 120V. Tout le courant de la génératrice est disponible à 120V mais la sortie 240V ne l'est pas. Tous les réceptacles sont disponibles en position 120/240 mais seulement la moitié du débit est disponible dans chaque réceptacle de 120V. Le plein débit peut être tiré de la génératrice à partir des réceptacles 240V. Le commutateur doit toujours être laissé en position 120V lorsque le 240V n'est pas nécessaire. Ceci balance mieux la charge de la génératrice.

### ARRÊT DE LA GÉNÉRATRICE

Débrancher tous les appareils et laisser la génératrice fonctionner sans charge pendant quelques minutes. Tourner le commutateur du moteur ON/OFF ou le commutateur clé dans la position OFF. Tourner la valve d'essence au OFF la position.

**AVIS :** Ne jamais utiliser l'étrangleur pour arrêter le moteur.

## USAGE DE LA GÉNÉRATRICE

### QU'EST-CE QU'UNE GÉNÉRATRICE?

Une génératrice est principalement un moteur à essence ou au diesel couplé à un alternateur pour produire de l'électricité. C'est une bonne alternative d'énergie lorsqu'il y a des pannes d'électricité ou encore lorsque vous êtes dans un endroit éloigné où l'électricité n'est pas disponible. Les génératrices sont indispensables pour les gens comme les agriculteurs ou les entrepreneurs qui ont souvent besoin d'une source portable d'électricité. Elles sont également très utiles pour un usage récréatif.

### CHOISIR UNE GÉNÉRATRICE

Le choix de la bonne génératrice est important. Une génératrice trop petite pour alimenter vos équipements ne pourra pas les faire fonctionner tous, alors qu'une génératrice trop grosse coûte plus cher et représente une perte d'argent lorsqu'elle ne fonctionne pas à son plein potentiel. La grosseur de génératrice adéquate peut être déterminée en additionnant les watts de chaque article à employer simultanément avec les watts nécessaires à l'allumage. Sélectionner une génératrice avec un taux continu qui dépasse votre total de 20% afin de permettre une expansion éventuelle. Voir le tableau de la section intitulée " Surcharge de la génératrice " pour les normes d'équipements fréquemment utilisées.

### WATTS CONTINU versus WATTS MAXIMUM

Les watts nominaux ou continus sont le nombre de watts nécessaires à un équipement lorsqu'il fonctionne.

Les watts de surtension ou maximums sont le nombre de watts requis pour démarrer un équipement.

Cette information est habituellement inscrite sur la plaque du fabricant. Si les watts ne sont pas inscrits, ils peuvent être calculés en utilisant la formule suivante: watts = ampères x volts.

### RALLONGE ÉLECTRIQUE

Une rallonge électrique devrait toujours être en bonne condition, sans dommages aux fils et au recouvrement. Ne jamais plonger une rallonge dans l'eau. La grosseur adéquate pour une rallonge peut être déterminée par le tableau suivant.

Charge Continue	Jauge Minimum (AWG)		
	0-50 Pieds	50-100 Pieds	100-150 Pieds
Ampères			
20	12	10	8
25	12	10	6
30	10	8	6
35	10	8	4
40	8	6	2
50	6	4	2

### CHARGER VOTRE GÉNÉRATRICE

S.V.P. réviser les réceptacle à courant de votre génératrice à l'aide des informations contenues dans la section " réceptacle ". Les taux du disjoncteur et de la génératrice conduisent la capacité réelle qui peut être demandée pour chaque réceptacle. Les taux montrés dans le tableau représentent le Français

maximum disponible pour chaque réceptacle.

**ATTENTION** NE PAS DÉPASSER LE TAUX DE CHAQUE RÉCEPTACLE INDIVIDUEL TEL QUE DÉMONTRÉ DANS LE TABLEAU CI-DESSOUS. NE PAS DÉPASSER LE TAUX MAXIMUM DE LA GÉNÉRATRICE, TEL QUE DÉMONTRÉ DANS LE TABLEAU 2, PERFORMANCE ET SPÉCIFICATIONS. Toutes les génératrices sont équipées d'un disjoncteur thermo-magnétique principal ainsi qu'un disjoncteur " PRESSER POUR REDÉMARRER ".

### TABLEAU DU TAUX D'AMPÉRAGE

Model	NEMA 5-20R 125V GFCI	NEMA L5-30R 125V Twistlock	NEMA L14-20R 125/250V Twistlock	NEMA L14-30R 125/250V Twistlock	NEMA 14-50R 125/250V
DXGN4500	20 Amps	30 Amps*	20 Amps*	NA	NA
DXGN6000	20 Amps	30 Amps*	NA	30 Amps*	NA
DXGN7200	20 Amps	30 Amps	NA	30 Amps	NA
DXGN14000	20 Amps	NA	NA	30 Amps	50 Amps

\*Avec le sélecteur de voltage réglé à 120V.

### DÉTAILS DES RÉCEPTACLES (PRISE FEMELLE)

Les réceptacles montrés dans cette section sont uniquement à titre de référence. Tous les réceptacles ne sont pas disponibles sur toutes les génératrices.



NEMA 5-20R  
125V - 20A



NEMA L5-30R  
125V - 30A



NEMA L6-30R  
250V - 30A



NEMA L6-20R  
250V - 20A



NEMA 14-50R  
125/250V - 50A



NEMA L14-20R  
125/250V - 20A



NEMA L14-30R  
125/250V - 30A

### LIMITE DU MOTEUR SUR LA PERFORMANCE DE LA GÉNÉRATRICE

Le niveau de la génératrice est évalué à une température de 60 F (20C) au niveau de la mer. L'utilisation de votre génératrice à des températures au-dessus de 60 F (20C) ou au-dessus du niveau de la mer résultera en une baisse de la tension électrique. La tension électrique doit-être dégrévée de 1% pour chaque 10 F au-dessus de 60 F et de 3 ½ % pour chaque 1000 pieds au-dessus du niveau de la mer.

### NETTOYAGE DE LA GÉNÉRATRICE

**ATTENTION** TOUJOURS ÉTEINDRE LA GÉNÉRATRICE ET ATTENDRE QU'ELLE REFROIDISSE AVANT DE LA NETTOYER.

**ATTENTION** NE PAS UTILISER DE L'EAU À HAUTE PRESSION OU UN BOYAU DE JARDIN POUR NETTOYER VOTRE GÉNÉRATRICE. L'INTRODUCTION D'EAU À L'INTÉRIEUR DE LA GÉNÉRATRICE PEUT PROVOQUER UN COURT-CIRCUIT, DES DOMMAGES À LA GÉNÉRATRICE OU DES BLESSURES PHYSIQUES.



- De l'air comprimé (max.25 psi) peut être utilisé pour enlever la saleté de votre génératrice. **NE PAS ENVOYER D'AIR DIRECTEMENT DANS AUCUNE OUVERTURE DE LA GÉNÉRATRICE OU DU MOTEUR.**
- Utiliser un linge humide pour nettoyer les surfaces extérieures.
- Utiliser une brosse à poil doux pour nettoyer la saleté tenace et les dépôts d'huile ou de graisse.
- Ne jamais insérer des chiffons, des outils ou tout autre objet à l'intérieur des ouvertures de la génératrice ou du moteur.

## RÈGLES GÉNÉRALES D'ENTRETIEN

**⚠ ATTENTION** LES VAPEURS D'ESSENCE SONT INFLAMMABLES. NE PAS RANGER VOTRE GÉNÉRATRICE DANS UN ENDROIT SE TROUVANT À L'INTÉRIEUR OU DANS UN ENDROIT TRÈS PEU VENTILÉ. LES VAPEURS D'ESSENCE PEUVENT S'ENFLAMMER À PROXIMITÉ D'UNE FLAMME VIVE, D'UN PILOTE, D'UNE SÈCHEUSE, D'UN CHAUFFE-EAU, ETC.

Votre génératrice devrait être démarrée et utilisée pour plusieurs minutes au moins une fois tous les 30 jours. Si le groupe électrogène n'est pas utilisé ou qu'il est remisé pendant plus d'un mois, procéder comme suit:

1. Remettre de l'huile jusqu'au repère supérieur.
2. Faites fonctionner la génératrice, puis fermez le robinet d'arrêt de carburant et laissez l'appareil fonctionner jusqu'à l'arrêt du moteur.
3. Placez l'interrupteur du moteur en position "OFF". (Tournez l'interrupteur à clé à "ARRÊT" pour les modèle DXGN14000.)
4. Quand l'appareil est refroidi, purgez l'essence du réservoir de carburant, de la conduite de carburant et du carburateur.
5. Mettre environ une cuillerée à café d'huile pour moteur dans l'orifice des bougies, tirer sur le lanceur à plusieurs reprises et remettre la bougie en place. Ensuite, tirer sur le lanceur jusqu'à ce que le piston soit en position de compression et le laisser dans cette position. Ceci ferme les soupapes d'admission et d'échappement afin d'empêcher l'intérieur du cylindre de rouiller.
6. Couvrir l'appareil et l'entreposer dans un endroit propre, sec et bien aéré, loin de toute source de flamme ou d'étincelles.

**AVIS :** Il est recommandé d'utiliser en tout temps le stabilisateur de carburant, ce qui permettra de réduire la formation de dépôts de gomme dans le carburant lors de son entreposage. On peut ajouter le stabilisateur à l'essence en le versant soit dans le réservoir de carburant, soit dans un récipient d'entreposage.

## ENTRETIEN GÉNÉRAL

Un entretien adéquat est nécessaire pour prolonger la durée de vie du moteur et maintenir la garantie. Les tableaux suivants fournissent des spécifications sur le moteur ainsi qu'un calendrier d'entretien. Noter que le modèle de génératrice fait référence au modèle du moteur. Le manuel du moteur est fourni avec chaque appareil et il fournit également les informations d'entretien générales ainsi que des informations sur les problèmes techniques. Si les informations contenues dans ce manuel diffèrent de celles fournies par le fabricant du moteur, vous référer à ce dernier. Le manuel d'entretien complet du moteur est disponible chez : American Honda Motor Co., 4900 Marconi Drive, Alpharetta, GA 30005-8847, (800) 910-1293.

## SPÉCIFICATIONS DU MOTEUR ET CAPACITÉS

Modèle	GX270 (DXGN4500)	GX340 (DXGN6000)	GX390 (DXGN7200)	GX630 (DXGN14000)
Type	4-stroke, overhead valve single cylinder, inclined 25°			4-stroke, overhead valve, V-Twin
Écart	270cc (16.5 cu in)	389cc (23.7 cu in)	389cc (23.7 cu in)	688cc (42.0 cu in)
Calibre et empattement	73 x 58 mm (2.9 x 2.3 in)	88 x 64 mm (3.5 x 2.5 in)	88 x 64 mm (3.5 x 2.5 in)	78 x 72 mm (3.1 x 2.8 in)
Puissance nette	8.5 hp @3600rpm	10.7 hp @3600rpm	11.7 hp @3600rpm	20.2hp @3600rpm
Moment de torsion net	14.1ft-lb @2500rpm	19.5ft-lb @2500rpm	19.5ft-lb @2500rpm	35.1ft-lb @2500rpm
Ratio compression	8.5 : 1	8.2 : 1	8.2 : 1	9.3 : 1
Système de refroidissement	Forced-air			
Système d'ignition	Transistorized magneto			
Synchro d'ignition			25° B.T.D.C. (fixed)	
Bougies	BPR6ES (NGK), W20EPR-U (Nippondenso)			
Carburateur	Horizontal type, butterfly valve			
Filtre à air	Dual element type			
Système de lubrification	Splash		Forced Oil	
Capacité d'huile	1.1l (1.16 US qt)	1.1l (1.16 US qt)	1.1l (1.16 US qt)	2.0 l (2.1 US qt)
Système de démarrage	Recoil	Recoil	Recoil/Electric	Electric
Système d'arrêt	Ignition primary circuit ground			
Type de combustible	Unleaded gasoline (86 pump octane)			
Rotation de l'arbre (PTO)	Counterclockwise (from PTO side)			
Poids sec	25.0 kg (55.1 lb)	31.5 kg (69 lb)	31.5 kg (69 lb)	44.0 kg (96.8 lb)

## SÉLECTION D'HUILE

Le choix d'une bonne huile ainsi que du bon niveau d'huile sont primordial pour atteindre une plus grande longévité du moteur. Utiliser une huile à moteur haute en détergent de première qualité certifiée de classe SJ qui devrait être inscrit sur le contenant. SAE 10W-30 est recommandé pour un usage général à toute température. Vous servir du tableau ci-contre pour sélectionner la bonne huile pour la température de votre région.

Viscosité		-30C/-22F	-20C/-4F	-10C/14F	0C/32F	10C/50F	20C/68F	30C/86F	40C/104F
Simple	10W								
	20W								
	20								
	30								
	40								
Multi	20W-40, 20W-50								
	15W-40, 15W-50								
	10W-40								
	10W-30								

## HORAIRE D'ENTRETIEN DU MOTEUR

Article		Chaque utilisation	1er mois ou 20 heures	3 mois ou 50 heures	6 mois ou 100 heures	Chaque année ou 300 heures
Huile	Vérifié	X				
	Changé		X		X	
Nettoyeur à air	Vérifié	X				
	Nettoyé			X (1)		
Boîte à sédiments	Nettoyé				X	
Bougies	Vérifié-Nettoyé				X	
Coupe étincelles	Nettoyé				X	
Valve	Vérifié-Ajusté					X (2)
Réservoir d'essence	Nettoyé					X (2)
Ligne d'essence	Vérifié	Remplacer si nécessaire				

Notes:

- (1) Faire l'entretien plus souvent dans les endroits poussiéreux.  
 (2) L'entretien devrait être fait par un marchand autorisé à moins que le propriétaire possède les outils requis et des compétences en mécanique. Voir le manuel du moteur.

### INSPECTION QUOTIDIENNE

1. Cordon de démarrage
2. Niveau d'huile moteur
3. Vérifier les fuites d'huile et d'essence
4. Inspecter les câbles à bougies
5. Inspecter le système de refroidissement pour la propreté
6. Écouter pour des sons anormaux
7. Regarder pour des vibrations anormales

### PARE-ÉTINCELLES

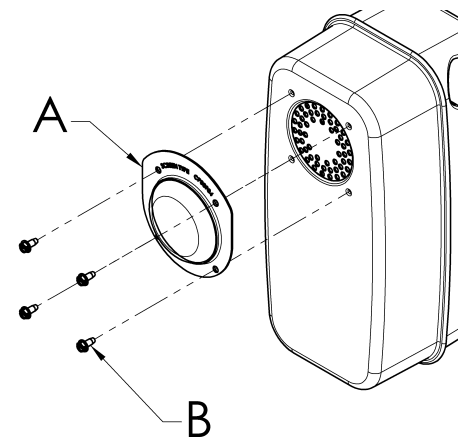
Le pare-étincelles doit être entretenu toutes les 100 heures pour pouvoir continuer à fonctionner de la manière prévue.

Si le moteur vient de tourner, le silencieux sera chaud. Le laisser se refroidir avant de contrôler le pare-étincelles.

#### DXGN4500, DXGN6000, et DXGN7200

Nettoyer et inspecter les pare-étincelles comme suit :

1. Enlever la quatre vis (B) et tamis de pare-étincelles (A) du silencieux.
2. Utiliser une brosse pour retirer la calamine du tamis du pare-étincelles. Veiller à ne pas endommager le tamis.
3. Le pare-étincelles ne doit pas être cassé ou troué. Remplacer le pare-étincelles s'il est endommagé.
4. Fixez l'écran pare-étincelles (A) au silencieux en alignant les trous de l'écran avec les trous percés dans le silencieux. Insérez les quatre vis (B) dans les trous et serrez solidement.



#### DXGN14000

Voir des instructions fournies avec la Kit de Pare-étincelles.

## GUIDE DES FAILLES

SYMPTÔMES	CAUSES PROBABLES	CORRECTION
LE MOTEUR NE DÉMARRE PAS	<ol style="list-style-type: none"> <li>1. Niveau d'huile trop bas.</li> <li>2. Pas d'essence ou valve fermé.</li> <li>3. Démarre avec commutateur à OFF.</li> <li>4. Système d'essence bloqué ou qui fuie.</li> <li>5. Filtre à air obstrué.</li> <li>6. Génératrice sous tension avant le démarrage</li> </ol>	<ol style="list-style-type: none"> <li>1. Ajouter de l'huile</li> <li>2. Ajouter de l'essence ou ouvrir la valve.</li> <li>3. Mettre le commutateur à On.</li> <li>4. Réparer le système d'arrivée d'essence.</li> <li>5. Nettoyer ou remplacer le filtre à air.</li> <li>6. Débrancher la charge.</li> </ol>
IL N'Y A PAS DE COURANT	<ol style="list-style-type: none"> <li>1. le disjoncteur est sauté.</li> <li>2. Réceptacle GFCI sauté.</li> <li>3. disjoncteur défectueux.</li> <li>4. réceptacle défectueux.</li> <li>5. Condensateur de l'alternateur défectueux.</li> <li>6. diodes de l'alternateur défectueux</li> <li>7. défauts dans le circuit de l'alternateur</li> </ol>	<ol style="list-style-type: none"> <li>1. Remettre disjoncteur.</li> <li>2. Remettre GFCI réceptacle.</li> <li>3. Remplacer disjoncteur</li> <li>4. Remplacer réceptacle.</li> <li>5. Remplacer Condensateur.</li> <li>6. Remplacer diodes.</li> <li>7. Réparer or remplacer l'alternateur.</li> </ol>
MACHINE BRUYANTE	<ol style="list-style-type: none"> <li>1. Coussinet défectueux.</li> <li>2. Système d'échappement défectueux.</li> <li>3. Pièces vibrantes ou bruyantes.</li> </ol>	<ol style="list-style-type: none"> <li>1. Remplacer coussinet.</li> <li>2. Réparer ou remplacer.</li> <li>3. Réparer pièces vibrantes ou bruyantes.</li> </ol>
SURCHAUFFE	<ol style="list-style-type: none"> <li>1. Ventilation openings blocked.</li> <li>2. Overload.</li> <li>3. Ambient temperature too high.</li> </ol>	<ol style="list-style-type: none"> <li>1. Clear ventilation openings.</li> <li>2. Verify load levels.</li> <li>3. Provide better ventilation for cooling.</li> </ol>
LE DISJONCTEUR SAUTE	<ol style="list-style-type: none"> <li>1. Circuit surchargé.</li> <li>2. Équipements ou câbles défectueux.</li> <li>3. Disjoncteur défectueux.</li> </ol>	<ol style="list-style-type: none"> <li>1. Réduire la charge</li> <li>2. Vérifier, réparer ou remplacer.</li> <li>3. Remplacer le disjoncteur.</li> </ol>

# SPANISH INSTRUCTIONS

## SEGURIDAD

### LINEAMIENTOS DE SEGURIDAD Y DEFINICIONES

<b>⚠ DANGER</b> Using a generator indoors CAN KILL YOU IN MINUTES. Generator exhaust contains carbon monoxide. This is a poison you cannot see or smell.  <b>NEVER use inside a home or garage, EVEN IF doors and windows are open.</b> Only use <b>OUTSIDE</b> and far away from windows, doors and vents. Avoid other generator hazards. READ MANUAL BEFORE USE.	<b>⚠ DANGER</b> L'utilisation d'un générateur à l'intérieur PEUT VOUS TUER EN QUELQUES MINUTES. L'émission d'un générateur contient du monoxyde de carbone. Cela est un déléterre invisible et inodore. Ne l'utilisez jamais à l'intérieur d'une maison ou d'un garage et ce, MÊME SI les portes et fenêtres sont ouvertes. Évitez les autres risques associés à un générateur. LISEZ LE MANUEL AVANT USAGE.	<b>⚠ PELIGRO</b> La utilización de un generador en un lugar interior PUEDE MATARLO A USTED EN MINUTOS. Los gases de escape del generador contienen monóxido de carbono. Este es un venenoso que usted no puede ver ni oler. No use nunca el generador dentro de una casa o un garaje, INCLUSO SI las puertas y las ventanas están abiertas. Use el generador solamente en el EXTERIOR y alejada de las ventanas, las puertas y los respiraderos. Evite otros peligros del generador. LEA EL MANUAL DEL USUARIO ANTES DE USARLO.
--	--	--

Este manual de instrucciones contiene información importante que usted debe saber y comprender de manera que pueda aplicar y operar su generador de manera correcta, segura y eficiente. Todos los operadores, usuarios y propietarios subsiguientes de este generador deben leer y comprender todas las instrucciones antes de operar el generador. Guarde estas instrucciones para referencia en el futuro.

Para ayudarle a reconocer información importante para proteger SU SEGURIDAD y EVITAR PROBLEMAS CON EL EQUIPO, utilizaremos los símbolos siguientes.

**⚠ PELIGRO** Indica una situación de peligro inminente que, si no se evita, provocará la muerte o lesiones graves.

**⚠ ADVERTENCIA** Indica una situación de peligro potencial que, si no se evita, podría provocar la muerte o lesiones graves

**⚠ PRECAUCIÓN** Indica una situación de peligro potencial que, si no se evita, puede provocar lesiones leves o moderadas.

**AVISO:** Se refiere a una práctica no relacionada a lesiones corporales que de no evitarse puede resultar en daños a la propiedad.

### REGLAS DE SEGURIDAD

#### SILENCIADOR CON ATRAPACHISPAS

Cierto Estados y Jurisdicciones requieren que el equipo manejado por motor este equipado con silenciadores con atrapa chispas. Dependiendo en el Modelo de generador, silenciadores con atrapa chispas pueden o no ser equipados. Si silenciadores con atrapa chispas son requeridos para su localidad y su silenciador no es atrapa chispas, comuníquese con su representante local para instrucciones para un retrofit.

#### APAGACHISPAS

Si el producto se va a utilizar cerca de materiales inflamables como son cosechas agrícolas, bosques, arbustos, pastos, etc., debe entonces instalarse un apagachispas adecuado. Esto es obligatorio en el estado de California, de acuerdo con las secciones de estatutos 13005(b), 4442 y 4443. Los apagachispas son también obligatorios en algunas tierras del Servicio Forestal de los EE.UU. y quizá también según otros estatutos u ordenanzas legales. Existen apagachispas de uso aprobado en nuestro distribuidors. También puede encargarse a DeWALT Industrial Tool Co., 701 East Joppa Road, Baltimore, MD 21286, EE.UU., teléfono 1-888-431-6871.

### SISTEMA DE CONTROL DE EMISIONES DE ESCAPE

El sistema de control de emisiones de escape para este generador cumple con los principios fijados en California Air Resources Board (CARB) y la Environmental Protection Agency (EPA). Los respectivos fabricantes des motores administran las garantías del sistema de emisiones de escape. Consulte a la documentación del motor para información sobre la garantía.



## ADVERTENCIA

**El exhaust del motor de este producto contiene químicos conocidos por el Estado de California como causantes de cáncer, defectos al nacer, u otros daños reproductivos.**

### RIESGO DE ASFIXIA

**⚠ PELIGRO** NO OPERE ESTE GENERADOR EN UNA AREA CERRADA. LOS GASES DE ESCAPE DE ESTE GENERADOR EMITEN "MORTAL" MONOXIDO DE CARBONO. EXPONERSE AL MONOXIDO DE CARBONO PUEDE CAUSAR ENVENENAMIENTO DE MONOXIDO DE CARBONO, DOLORES DE CABEZA, NAUSEA, SEVERA ENFERMEDAD O LA MUERTE.

### RIESGO DE ELECTROCUCIÓN O SACUDE

**⚠ PELIGRO** ESTE GENERADOR PRODUCE CORRIENTE ELECTRICAT. POR LO TANTO, LAS GUIAS DE SEGURIDAD DEBEN DE SEGUIRSE. USO INAPROPIADO DE ESTE GENERADOR PUEDE RESULTAR EN ELECTROCUCION, LESIONES OR LA MUERTE. NO OPERE, HAGA REVISIONES O REPARACIONES A ESTE GENERADOR A MENOS QUE ESTE COMPLETAMENTE CALIFICADO PARA HACERLO.

**⚠ PELIGRO** ESTE GENERADOR FUE DISEÑADO PARA FUNCIONAR EN CONDICIONES SECAS Y SOLO AL AIRE LIBRE. NUNCA OPERE ESTE GENERADOR EN LUGARES CERRADOS. NUNCA OPERE ESTE GENERADOR LLUVIA, NIEVE, AGUANIEVE, CONDICIONES MOJADS EN GENERAL. DAÑOS AL GENERADOR, LESIONES FISICAS, O LA MUERTE PUEDEN RESULTAR DE ELECTROCUCION.

**⚠ PELIGRO** SI ESTE GENERADOR ES CONECTADO A UNA COMPLEXION, HOGAR, NEGOCIO, U OTRO CIRCUITO ELECTRICO NORMALMENTE ALIMENTADO POR EL SUMINISTRO DE LA RED, PASOS DEBEN DE TOMARSE PARA ASEGURAR LA POTENCIA DEL GENERADOR Y EL SUMINISTRO DE LA RED ESTÁN POSITIVAMENTE AISLADOS. TÍPICAMENTE ESTO ES LLEVADO A CABO A TRAVES DEL USO DE UN CUADRO DE CONMUTACIÓN INSTALADO APROPIADAMENTE. FALTA DE AISLAMIENTO DEL SISTEMA ELECTRICO DE LA RED Y EL GENERADOR RESULTARA EN DAÑOS AL GENERADOR Y PUEDE RESULTAR EN LESIONES FISICAS O LA MUERTE A TRABAJADORES DE LA RED DEBIDO AL RETORNO DE LA ELECTRICIDAD.

**⚠ PELIGRO** PARA EVITAR LA RETRO-ALIMENTACIÓN HACIA LOS SISTEMAS DE SUMINISTRO ELÉCTRICO, SE REQUIERE EL AISLAMIENTO DEL SISTEMA ELÉCTRICO RESIDENCIAL. ANTES DE REALIZAR LA CONEXIÓN DEL GENERADOR AL SISTEMA ELÉCTRICO RESIDENCIAL, APAGUE EL INTERRUPTOR PRINCIPAL. ANTES DE HACER LAS CONEXIONES PERMANENTES, DEBE INSTALARSE UN INTERRUPTOR DE TRANSFERENCIA DE DOS VÍAS. PARA EVITAR LA ELECTROCUCIÓN O DAÑOS A LA PROPIEDAD, SÓLO DEBE SER UN ELECTRICISTA ENTRENADO EL QUE CONECTE EL GENERADOR AL SISTEMA ELÉCTRICO RESIDENCIAL. LAS LEYES DE CALIFORNIA REQUIEREN EL AISLAMIENTO DEL SISTEMA ELÉCTRICO RESIDENCIAL ANTES DE CONECTAR UN GENERADOR A LOS SISTEMAS ELÉCTRICOS RESIDENCIALES.

**SIEMPRE SIGA LOS CÓDIGOS Y REGULACIONES LOCALES QUE SE APLICAN A LA INSTALACIÓN DE CUALQUIER ELEMENTO QUE TENGA RELACIÓN CON ESTE PRODUCTO.**

1. **NFPA 70 - Código Nacional de Electricidad.**
2. **NFPA 37 - Estándar para la instalación y uso de motores estacionarios de combustible.**
3. **Manual de cableado agrícola de la energía eléctrica en posición auxiliar para granjas.**

**⚠ PELIGRO** NO MODIFIQUE O USE INDEBIDAMENTE SU GENERADOR. FUNCIONAMIENTO DEL GENERADOR OTRO QUE EL INDICADO PUEDE RESULTAR EN DAÑOS AL GENERADOR, LESIONES FÍSICAS, O LA MUERTE PUEDEN RESULTAR DE ELECTROCUCIÓN

**⚠ PELIGRO** NUNCA TOQUE UN RECEPTACULO O UN CABLE PELADO. ELECTROCUCIÓN O UN IMPACTO PUEDE RESULTAR DEBIDO A ESTO.

### RIESGO DE INCENDIO O EXPLOSIÓN

**⚠ ADVERTENCIA** SIEMPRE ASEGURESE QUE SE MANTENGAN POR LO MENOS 6 PIES DE DESPEJE EN TODOS LOS LADOS DEL GENERADOR DURANTE EL FUNCIONAMIENTO DEL MISMO. PUEDE CAUSAR DAÑOS AL GENERADOR Y POTENCIALMENTE CONDUCIR A INCENDIOS, LA FALTA DE MANTENER DESPEJE APROPIADO.

**⚠ ADVERTENCIA** GASOLINA ES MUY INFLAMABLE Y SUS VAPORES SON EXPLOSIVOS. FALTA DE MANEJO APROPIADO PUEDE RESULTAR EN UNA EXPLOSIÓN O INCENDIO. NO PERMITA FUMAR DENTRO DE 50FT DEL GENERADOR.

**⚠ ADVERTENCIA** NUNCA VUELVA A LLENAR UN GENERADOR CALIENTE CON COMBUSTIBLE. NUNCA VUELVA A LLENAR UN GENERADOR MIENTRAS ESTE FUNCIONANDO. DERRAME SOBRE LEL MOTOR O GENERADOR PUEDE RESULTAR EN UN EXPLOSIÓN O INCENDIO. SIEMPRE DEJE QUE EL GENERADOR SE ENFRIE ANTES DE VOLVER A LLENARLO.

**⚠ ADVERTENCIA** NUNCA GUARDE ESTE GENERADOR EN CUALQUIER LUGAR DONDE GASES DE

GASOLINA PUEDAN ENTRAR EN CONTACTO POTENCIALMENTE CON CHISPAS, UNA LUZ DE PILOTO O UNA LLAMA ABIERTA. ALMACENAMIENTO INAPROPIADO DE ESTE GENERADOR PUEDE RESULTAR EN UN EXPLOSIÓN O INCENDIO.

**⚠ ADVERTENCIA** INSPECCIONE LOS ATRAPACHISPAS PERIODICAMENTE. ATRAPACHISPAS SON REQUERIDOS EN UNAS AREAS Y REDUCEN EL RIESGO DE FUEGO DE CHISPAS EMITIDAS DEL ESCAPE.

**⚠ ADVERTENCIA** NO OPERE ESTE GENERADOR SI LA TEMPERATURA DEL AMBIENTE EXCEDE 104°F/40°C.

**⚠ ADVERTENCIA** NO EXCEDA LA CAPACIDAD INDICADA DEL GENERADOR. EL TOTAL DE CARGAS ELECTRICAS EN CADA ENCHUFE DEBEN SUMARSE PARA DETERMINAR EL TOTAL DE CARGA ELECTRICA. EL TOTAL DE CARGA ELECTRICA NO DEBE EXCEDER EL TOTAL DE LA CAPACIDAD INDICADA DEL GENERADOR. SI EL APARATO CONDUcido NO LISTA LA POTENCIA EN VATIOS, PERO SOLO EN AMPERIOS, LA POTENCIA EN VATIOS PUEDE SER DETERMINADA MULTIPLICANDO LOS AMPERIOS POR EL VOLTAJE (VATIOS = AMPERIOS X VOLTIOS).

### SEGURIDAD GENERAL

Siempre siga lo códigos Nacionales y Locales relacionados con generadores. Todos los códigos Nacionales y Locales reemplazan reglas o información proporcionada en este manual.

**⚠ ADVERTENCIA** CONSULTE SUS CODIGOS LOCALES Y NACIONALES PARA DETERMINAR REQUISITOS DE PUESTA A TIERRA ASÍ COMO ESTO PUEDE VARIAR POR APLICACION. EL GENERADOR ES PUESTO A TIERRA INTERNAMENTE NEUTRAL A LA MONTURA. DONDE LAS APLICACIONES REQUIERAN PUESTA A TIERRA EXTERNA, UNA CONEXIÓN DEBE HACERSE DEL GENERADOR A UN PUNTO DE TIERRA SÓLIDO. UN CABLE CONTINUO DE COBRE, LIBRE DE EMPALMES NO MAS PEQUEÑO DE 6 AWG, DEBE SER USADO PARA EL CONDUCTOR.

- Cuando mueva o transporte este generador, tome precauciones adecuadas para evitar derrames de combustible. Siempre use sentido común cuando levante este generador. Un adecuado numero de personas y métodos adecuados para levantar deben ser usados.
- No cubra el generador mientras este en funcionamiento o inmediatamente después de haberlo apagado. Siempre permita un tiempo para enfriar antes de cubrirlo.
- No ponga en funcionamiento este generador a menos que este en buena condición mecánica y eléctrica.
- Siempre mantenga manos, partes del cuerpo, cabello y ropa lejos de las piezas que giran en el generador.
- No arranque este generador con aparatos conectados que estén encendidos. Siempre asegúrese que los aparatos estén desconectados o si están conectados que estén apagados antes de arrancar el generador.
- Generadores funcionando en sitios de trabajo o construcción pueden requerir que tengan enchufes GFCI (Ground Fault Circuit Interrupters).

- Use solo cables de extensión puestos a tierra en buena condición y asegúrese que el tamaño del cable en los cables de extensión tenga tamaño suficiente para llevar la potencia de salida del generador.
- Nunca maneje cables de extensión o circuitos eléctricos si esta parado en agua o áreas mojadas.

### RIESGO DE LESIONES CORPORALES

**⚠️ ADVERTENCIA** MANTENGA MANOS, PARTES DEL CUERPO, CABELLO Y ROPA LEJOS DE LAS PIEZAS "CALIENTES" DEL GENERADOR DURANTE Y DESPUES DEL FUNCIONAMIENTO. EL EXHAUST SYSTEM, Y EL GENERADOR EN GENERAL, PUEDEN PERMANECER MUY CALIENTES AUN DESPUES DE HABER SIDO APAGADO.

**⚠️ ADVERTENCIA** NO MANIPULE CON EL MOTOR VELOCIDAD GOBERNADA. EL GENERADOR OPERA EN UNA VELOCIDAD NOMINAL DE 3600 RPM. LOS AUMENTOS EN LA VELOCIDAD SOBRE EL 3600 SUSTANTIVO DE RPM AUMENTARAN LA OPORTUNIDAD DE HERIDA PERSONAL DEBIDO A ENFASIS GIRATORIOS EN LOS MIEMBROS QUE GIRAN. LA OPERACION DEL GENERADOR EN VELOCIDADES DEBAJO DEL SUSTANTIVO QUE 3600 RPM PODRIA CAUSAR DAÑO AL GENERADOR O EL APARATO ACCIONADO DEBIDO A SALIDA BAJA DE VOLTAJE.

### SEGURIDAD DE BATERIAS

**⚠️ ADVERTENCIA** ALMACENAMIENTO DE BATERIAS PRODUCE Y EMITE GAS DE HIDROGENO EXPLOSIVO CUANDO SE CARGA. LA MAS MÍNIMA CHISPA, LLAMA O CENIZA QUEMANDOCE PUEDE PRENDER FUEGO A ESTOS GASES Y CAUSAR UNA EXPLOSION SERIA QUE PUEDE RESULTAR EN CEGUERA U OTRAS GRAVES LESIONES. USE PROTECCION EN LOS OJOS, DELANTAL Y GUANTES DE GOMA CUANDO ESTE TRABAJANDO ALREDEDOR DE BATERIAS CUANDO ESTE LLEVANDO A CABO SERVICIOS A BATERIAS. EL FLUJO DE BATERIAS ES ACIDO SULFURICO EXTREMADAMENTE CAUSTICO, QUE PUEDE CAUSAR SEVERAS QUEMADURAS. SIEMPRE DESCONECTE EL CABLE NEGATIVO (-) DE LA BATERIA ANTES DE LLEVAR A CABO SERVICIO A UNA BATERIA O ANTES DE LLEVAR A CABO SERVICIO ELECTRICO A UN GENERADOR O MOTOR.

### PROTECCION AMBIENTAL

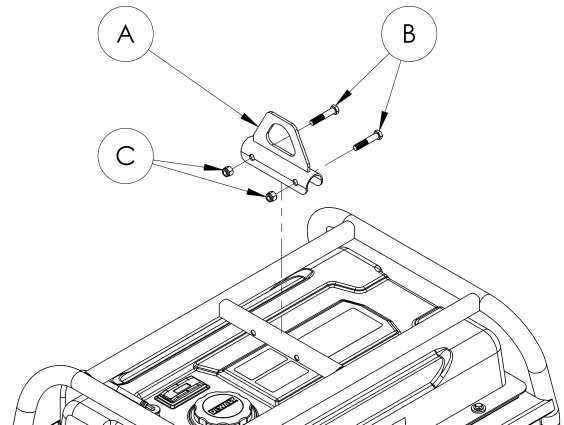
**⚠️ PRECAUCIÓN** INSPECCIONE EL SISTEMA DE ESCAPE REGULARMENTE PARA ASEGURARSE QUE ESTE FUNCIONANDO APROPIADAMENTE. SISTEMA DE ESCAPE CON FUGAS PUEDE INCREMENTAR LOS NIVELES DE RUIDO.

**⚠️ PRECAUCIÓN** DIRIGE LOS LADOS RUIDOSOS DEL GENERADOR HACIA ESPACIOS ABIERTOS EVITANDO RESONANCIA DE PAREDES O COMPLEJOS DE ESTA MANERA AMPLIFICA EL SONIDO.

**AVISO:** NUNCA VACIE OR TIRE ACEITE DE MOTOR A LA TIERRA O A SUMIDEROS DE AGUAS RESIDUALES DOMÉSTICOS.

### ENSAMBLAJE DEL GANCHO PARA LEVANTAR

Conecte el gancho de elevación (A) al portador con pernos de 3/8 x 2.00" (B) y tuercas nyloc de 3/8 (C) como se muestra en la ilustración. Apriete los pernos firmemente.



### ELEVACIÓN O SUSPENSIÓN DEL GENERADOR

**⚠️ ADVERTENCIA** La conexión incorrecta de cables, cadenas o correas de elevación puede provocar daños a la propiedad, lesiones graves o la muerte y, además, anula la garantía del fabricante.

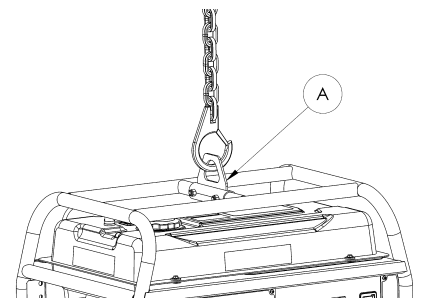
**⚠️ ADVERTENCIA** Siempre utilice cables, cadenas o correas que puedan elevar o suspender un peso de 907 kg (2000 libras) o más de carga de trabajo para elevar el generador.

**⚠️ ADVERTENCIA** Nunca haga funcionar el generador mientras está suspendido. Esto podría producir daños a la propiedad, lesiones graves o la muerte.

**⚠️ ADVERTENCIA** NO suspenda otro objeto que no sea el generador con el gancho para levantar.

**⚠️ ADVERTENCIA** Asegúrese de que todos los sujetadores de la estructura y del gancho para levantar estén firmes.

Pase el cable, la cadena o la correa a través del gancho para levantar (A), como se muestra. Siempre utilice el gancho para levantar cuando eleve o suspenda el generador.



**AVISO:** Asegúrese de que el generador esté en una posición nivelada antes de elevarlo o suspenderlo, con el fin de evitar daños.

## Accesorios

Los accesorios que se recomiendan para la herramienta están disponibles para la compra en su distribuidor local o en el centro de mantenimiento autorizado. Si necesita ayuda para localizar algún accesorio para su herramienta, comuníquese con DEWALT Industrial Tool Co., 701 East Joppa Road, Baltimore, MD 21286, llame al 1-888-431-6871 o visite nuestro sitio Web en [www.dewalt.com](http://www.dewalt.com).

## Información de mantenimiento

Para todas las llamadas por mantenimiento, tenga a mano la siguiente información:

Número de modelo \_\_\_\_\_ Número de serie \_\_\_\_\_  
 Fecha y lugar de compra \_\_\_\_\_

## Reparaciones

Para asegurar la SEGURIDAD y la CONFIABILIDAD del producto, las reparaciones, el mantenimiento y los ajustes deben ser realizados en un centro de mantenimiento de fábrica DEWALT, un centro de mantenimiento autorizado DEWALT u otro centro de mantenimiento con personal calificado. Utilice siempre piezas de repuesto idénticas.

## Garantía completa de tres años - Estados Unidos y Canadá

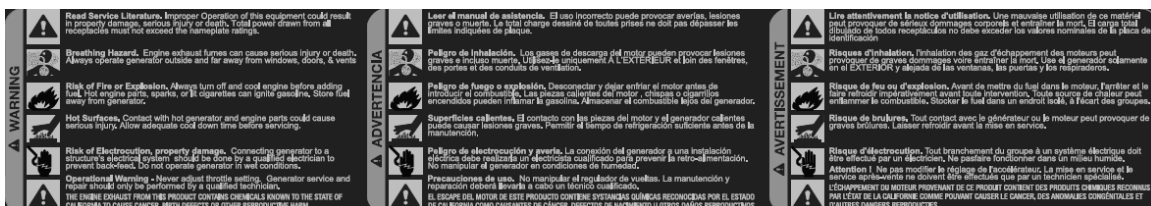
Los generadores para trabajo pesado de DEWALT tienen una garantía de tres (3) años desde la fecha de compra en Estados Unidos y Canadá. Repararemos, sin cargo, cualquier defecto debido a fallas en los materiales o la mano de obra. Para obtener información sobre las reparaciones cubiertas por la garantía, visítenos en [www.dewalt.com](http://www.dewalt.com) o llame al 1-888-431-6871. Esta garantía no se extiende a los accesorios o a los daños causados por terceros al intentar realizar reparaciones. Esta garantía le concede derechos legales específicos; usted goza también de otros derechos que varían según el estado o provincia.

## Garantía completa de un año - México

Los generadores para trabajo pesado de DEWALT tienen una garantía de un (1) año desde la fecha de compra en México. Repararemos, sin cargo, cualquier defecto debido a fallas en los materiales o la mano de obra. Para obtener información sobre las reparaciones cubiertas por la garantía, visítenos en [www.dewalt.com](http://www.dewalt.com) o llame al 1-888-431-6871. Esta garantía no se extiende a los accesorios o a los daños causados por terceros al intentar realizar reparaciones. Esta garantía le concede derechos legales específicos; usted goza también de otros derechos que varían según el estado.

**AMÉRICA LATINA (MENOS MÉXICO):** Esta garantía no se aplica a los productos que se venden en América Latina. Para los productos que se venden en América Latina, debe consultar la información de la garantía específica del país que viene en el empaque, llamar a la compañía local o visitar el sitio Web a fin de obtener esa información.

**REEMPLAZO GRATUITO DE LA ETIQUETA DE PRECAUCIONES:** Si sus etiquetas de advertencia se vuelven ilegibles o faltan, llame al 1-888-431-6871 para que se le reemplacen gratuitamente.





## FUNCIONAMIENTO INFORMACIÓN GENERAL

Este manual ha sido preparado para informarlo(a) con el funcionamiento y mantenimiento de este producto. Estudie la información proporcionada cuidadosamente para evitar problemas asociados con aplicación o mantenimiento inapropiado. En cuanto reciba su generador, verifique que este completamente en buena condición.

Este generador esta compuesto de un motor de 4 tiempos, refrigerado por aire acoplado directamente a un alternador de 2 polos produciendo ya sea 125VAC o 125/250VAC dependiendo en el modelo. La velocidad sin carga es de aproximadamente 3750 rpm con la velocidad bajo carga siendo aproximadamente a 3600 rpm de esta manera produciendo una frecuencia de 60Hz.

### INSPECCIÓN INICIAL

En cuanto reciba su generador, inspeccione el producto para asegurarse que esta completo y en buena condición. Manéjese con cuidado y colóquelo en un sitio adecuado para almacenarlo o ponerlo en función.

### PUESTA A TIERRA

El generador debe tener una conexión a tierra para reducir el riesgo de choque eléctrico. Para hacer esto usted necesitara una pica de tierra y un cable de cobre de puesta a tierra de dimensiones apropiadas. Conduzca la pica en la tierra, conecte una punta del cable de cobre a la pica la otra punta conexión externa en el generador. Esta es una explicación general, consulte los códigos Nacionales y Locales para asegurarse que se cumplan.

### EL GENERADOR BONO NEUTRAL

Hay un permanente conductor entre el generador (stator bobinado) y el marco.

### COMENZANDO

#### COMBUSTIBLE DE MOTOR

Use Gasolina sin plomo con mínimo 86 octanos. Compruebe el indicador de combustible al lado del la tapa del tanque y rellénalo cuando sea necesario.

#### **⚠️ ADVERTENCIA**

- AGREGUE LENTAMENTE SIN PLOMO GASOLINA AL TANQUE DE COMBUSTIBLE
- NO LLENE DEMASIADO EL TANQUE
- PERMITA 1,5 PULGADAS (38 MM) DE ESPACIO DE TANQUE PARA LA EXPANSIÓN DEL COMBUSTIBLE



#### ACEITE DE MOTOR

El manual del motor u otra información proporcionada por el fabricante del motor reemplaza los datos dados aquí. Grado apropiado de aceite varía según el clima. El grado en la lista de abajo es típicamente un buen grado pero consulte su manual de motor para verificar el grado apropiado. Los puertos para rellenar de aceite están localizados en los dos lados del motor. El tapón gris tiene una varilla integrada para medir el nivel de aceite. Rellene con la cantidad apropiada de aceite y cheque el nivel usando la varilla. NOTA: La varilla debe ser puesta en el agujero pero no debe de atornillarse para comprobar el nivel de aceite.

MOTOR	HP	Capacidad	Grado
Honda GX270	8.5	1.16 qt (1.1 l)	API SJ SAE 10W-30
Honda GX340	10.7	1.16 qt (1.1 l)	API SJ SAE 10W-30
Honda GX390	11.7	1.16 qt (1.1 l)	API SJ SAE 10W-30
Honda GX630	20.2	2.1 qt (2.0 l)	API SJ SAE 10W-30

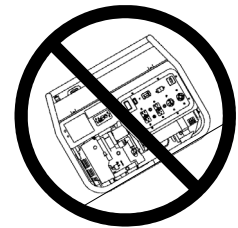
### BATERÍA DE ARRANQUE (Solo Modelos con Arranque Eléctrico)

Esta dimensionada a 12V-18AH (12V-34AH para DXGN14000). La Batería esta totalmente cargada si el voltaje de 12.84VDC se mide a través de las terminales usando un DC Voltímetro.

### COLOCACIÓN

- Coloque el generador en una superficie plana y sólida para prevenir que se hunda.
- Mantenga el combustible, aceite u otros materiales inflamables o combustibles a una distancia segura del conjunto del generador.
- Seleccione un sitio que este bien ventilado y protegido del tiempo.
- Coloque el generador con seguridad lejos de gente y animales.

**⚠️ ADVERTENCIA**  
INCLINAR PUEDE CAUSAR  
DERRAME DE COMBUSTIBLE



### FUNCIONAMIENTO

Cheque el aceite de motor antes de cada uso. Nunca ponga en funcionamiento el generador sin suficiente aceite.

### SOBRECARGA DEL GENERADOR

No exceda la carga máxima del generador cuando esté en funcionamiento continuo. Antes de conectar artículos al generador, determine el total de requisitos eléctricos de los productos que serán conectados. El requisito de cada artículo generalmente se da en la placa del nombre del fabricante. Abajo hay una lista de los artículos usados comúnmente y los requisitos típicos. Use la lista como una guía solo si no hay disponible otros datos.

## GUÍA GENERAL DE CONSUMOS

Artículo	Consumo en funcionamiento
Aire Acondicionado (12000 Btu) (*)	1750
Compresor de Aire (1/2 hp) (*)	1400
Compresor de Aire (3/4 hp) (*)	1800
Compresor de Aire (1 hp) (*)	2000
Cargador de Batería (25A)	600
Liador de Banda (3" belt)	1000
Sierra Circular (7 1/4")	.825-1050
Cafetera	.900-1100
Afilador (césped)	.550
Abanico de Horno (1/3 hp) (*)	1200
Plato Caliente (individual)	1500
Llave Inglesa	600
Foco	Bulb rating
Pistola de clavos	1200
Microondas	750
Esprayadora de Pintura (1/3 hp) (*)	.650
Esprayadora de Pintura, manual-sin aire	175
Radio	.50-200
Refrigerador (*)	600
Sierra de Mesa (10") (*)	2000
Televisión	.250-550
Cortador de Hierba	500

Nota: (\*) Artículos permiten por lo menos 3 veces mas que el voltaje en la lista.starting.

NOTA: Muchos aparatos como sierras o taladros toman mas corriente que la indicada en la placa del fabricante cuando esta bajo carga severa.

### ARRANQUE DEL GENERADOR

Antes de intentar arrancar el generador, asegúrese que todas las instrucciones proporcionadas en previas secciones se han seguido completamente.

- Cheque el nivel de aceite y combustibles.
- Abra la Válvula de combustible.
- Abra la Válvula que esta al frente del motor.
- Prenda el estárter al frente del motor. Nota: el estárter puede no ser requerido cuando el motor este caliente o en altas temperaturas ambientales.
- Apague el interruptor de control del ralentí.

### ARRANQUE MANUAL

- Mueva el interruptor a posición de ON.
- Lentamente tire del cable de arranque hasta que sienta resistencia y entonces tire fuerte. Deje que el arranque rebobine lentamente para evitar daños.

### ARRANQUE ELÉCTRICO (DXGN7200)

- Mueva el interruptor a posición de ON.
- Presione y mantenga el interruptor en posición de arranque hasta que el motor arranque y se suelte. Nota: Si el motor no arranca después de 5 segundos, pare y espere 10 segundos y repita es paso.
- Regrese el estárter a la posición original

### ARRANQUE ELÉCTRICO (DXGN14000)

- Haga girar la llave a la posición "START". Suelte la llave después que arranque el motor.
- Regrese el estárter a la posición original

**CUIDADO:** Este generador esta equipado con un sistema de protección de aceite. Cuando los niveles de aceite estén muy bajos para funcionamiento seguro el motor se apagara y / o no arrancara hasta que se corrijan los niveles de aceite.

### EL GENERADOR EN FUNCIONAMIENTO

Una vez encendido, permita que el motor se estabilice por aproximadamente 3 minutos. Compruebe que los interruptores y el enchufe GFCI no estén disparados. Encienda el interruptor del control de ralentí si se utiliza. Ponga el interruptor en el modo apropiado, ya sea 120V o 120/240V. Vea la guías abajo para mas información control de ralentí y características del selector de voltaje.

### GUÍA DEL CONTROL DE RALENTÍ (modelos aplicables)

El sistema control de ralentí automático esta disponible en algunos generadores. Esta característica permite que el motor frene automáticamente cuando no hay carga en contra del generador de esta manera ahorrando combustible, reduciendo el uso y nivel de ruido. Hay un interruptor localizado en el panel de control que activa o desactiva esta característica. Cuando está encendido el motor frena después de haber detectado menos de 40 Vatios. El motor regresara ala velocidad correcta inmediatamente cuando se apliqué una carga de 350 Vatios o más. Para aplicaciones con cargas de menos de 50V o cerca de cargas constantes, como la de un respaldo de hogar, es mejor que la característica de control de ralentí esté apagada. Esta característica ha de apagarse antes de arrancar el generador y encenderse cuando haya periodos extendidos de inactividad del generador.

**Modelo DXGN14000: UNA batería 12V se debe instalar en la orden para el control en vacío para funcionar.**

### GUÍA DEL SELECTOR DE VOLTAJE (modelos aplicables)

El selector de voltaje permite que el generador produzca solo 120 Voltios o 120/240 voltios simultáneos. Con el interruptor en posición del enchufe de 120V puede ser usado. Todo la potencia del generador esta disponible a 120 voltios pero el enchufe de 240V no está disponible. En posición de 120/240V todos los enchufes funcionan, sin embargo solo la mitad de la potencia del generador es disponible en cualquier enchufe de 120V. La máxima potencia puede ser sacada del generador del enchufe de 240V. El interruptor debe dejarse en posición de 120V cuando no se necesiten 240 voltios. Esto estabiliza la carga en el generador eficazmente.

### APAGADO DEL GENERADOR

Desenchufe los aparatos y deje correr el motor sin carga por unos minutos. Ponga el interruptor del motor o interruptor clave en posición de Apagado. Gire la válvula de combustible al OFF posición.

**AVISO:** Nunca use el estárter para apagar el motor.

## APLICACIÓN DEL GENERADOR

### QUE ES UN GENERADOR

Un generador es básicamente un prime mover, típicamente un motor de gasolina o de diesel, unidos a un alternador para producir electricidad. Es muy útil como fuente de luz durante apagones o como fuente principal en localidades remotas donde no hay luz disponible. Los generadores son fundamentales para personas como contratistas o agricultores que son quien siempre necesitan energía portátil. También son muy convenientes para uso recreativo.

### SELECCIONAR UN GENERADOR

Seleccionar el generador apropiado es muy importante. Un generador que es muy pequeño para su aplicación no hará funcionar a todo el equipo necesario. Un generador que es muy grande le costara mas y si no es usado a su potencial el dinero será desperdiciado. El tamaño correcto del generador es determinado con el total de voltios requeridos en los artículos simultáneamente, determine lo vatios requeridos para arrancar y sume estos números. Seleccione un generador que exceda por un 20% la potencia continua para permitir que funcione relajado. Vea la tabla titulada "Sobre carga del generador" para algunas guías de consumo de artículos comunes.

### CONSUMO NOMINAL VS. CONSUMO PICO

Los vatios nominales o continuos son los vatios que un artículo necesita para funcionar.

Los vatios pico o máximos son los vatios que se necesitan para arrancar. Típicamente son 2-4 veces mas que los vatios nominales.

Esta información es típicamente proporcionada por el fabricante en la placa del mismo. Si los vatios no son proporcionados pueden ser calculados usando la formula:  $Vatios = Amperios \times Voltios$ .

### CABLES DE EXTENSIÓN

Los cables de extensión siempre deben de estar en buena condición, sin daños en los mismos. Nunca corra una extensión entre agua. El tamaño correcto del cable de extensión puede ser determinado usando la tabla siguiente.

Carga Continua	Sección mínima del cable (AWG)			
	Amperios	0-50 Pies	50-100 Pies	100-150 Pies
20		12	10	8
25		12	10	6
30		10	8	6
35		10	8	4
40		8	6	2
50		6	4	2

### CARGA DE SU GENERADOR

Con referencia de la sección de detalles de enchufes, por favor revise los enchufes de potencia instalados en su generador. La potencia del interruptor general y la potencia

del generador determinan la carga actual que puede ser extraída de cada enchufe. Los consumos mostrados en la tabla son los máximos disponibles de cada enchufe.

**⚠ ADVERTENCIA** NO EXCEDA LOS CONSUMOS DEL ENCHUFE INDIVIDUAL COMO DICE EN LA TABLA DE ABAJO. NO EXCEDA EL CONSUMO TOTAL DEL GENERADOR MOSTRADO EN LA TABLA 2 ESPECIFICACIONES DE RENDIMIENTO. Todos lo generadores están equipados con un interruptor general magnético.

### TABLA DE AMPERAJE

Modelo	NEMA 5-20R 125V GFCI	NEMA L5-30R 125V Twistlock	NEMA L14-20R 125/250V Twistlock	NEMA L14-30R 125/250V Twistlock	NEMA 14-50R 125/250V
DXGN4500	20 Amps	30 Amps*	20 Amps*	NA	NA
DXGN6000	20 Amps	30 Amps*	NA	30 Amps*	NA
DXGN7200	20 Amps	30 Amps	NA	30 Amps	NA
DXGN14000	20 Amps	NA	NA	30 Amps	50 Amps

\*Con el selector de voltaje en modo 120V.

### DETALLES DE RECEPTACULOS

Los receptáculos mostrados en esta sección son solo para referencia. Cada receptáculo no esta disponible en todos los generadores.



NEMA 5-20R  
125V - 20A



NEMA L5-30R  
125V - 30A



NEMA L6-30R  
250V - 30A



NEMA L6-20R  
250V - 20A



NEMA 14-50R  
125/250V - 50A



NEMA L14-20R  
125/250V - 20A



NEMA L14-30R  
125/250V - 30A

### LIMITACIONES DEL MOTOR Y RENDIMIENTO DEL GENERADOR

La potencia del generador se anuncia a 60°F (20C) y nivel del mar. El funcionamiento de su generador a temperaturas de más de 60°F (20C) o por encima del nivel del mar puede resultar en una reducción de la potencia eléctrica. La potencia eléctrica debe ser reducida un 1% por cada 10°F por encima de 60°F y 3 ½ % por cada 1000 pies por encima del nivel del mar.

### LIMPIEZA DEL GENERADOR

**⚠ ADVERTENCIA** SIEMPRE APAGUE EL GENERADOR Y PERMITA QUE SE ENFRÍE COMPLETAMENTE ANTES DE LIMPIARLO.

**⚠ ADVERTENCIA** NUNCA USE AGUA DE ALTA PRESIÓN O UNA MANGUERA DE JARDÍN PARA LIMPIAR SU GENERADOR. EL AGUA INTRODUCIDA EN SU GENERADOR PUEDE CAUSAR DESCARGAS ELÉCTRICAS, DAÑOS AL GENERADOR O LESIONES PERSONALES.

- Aire comprimido (max. 25 psi) puede ser usado para soplar polvo y lodo suelto de su generador. NO DIRIJA EL AIRE COMPRIMIDO DIRECTAMENTE A CUALQUIER APERTURA DEL GENERADOR O MOTOR.
- Use una tela húmeda para limpiar superficies exteriores.
- Use un cepillo con cerdas suaves para limpiar o aflojar lodo pesado, aceite o depósitos de grasa.
- NUNCA introduzca trapos, u otro tipo de herramienta a su generador o aperturas del motor.

### ALMACENAMIENTO GENERAL PAUTAS

**⚠ ADVERTENCIA** LOS VAPORES DEL GASOLINA SON INFLAMABLES. NO ALMACENE SU GENSET EN NINGUNA AREA QUE ES INTERIOR NI EN AREAS MAL VENTILADAS. LOS VAPORES DEL GASOLINA PUEDEN ENCENDER EN LA PRESENCIA DE ALGUNA LLAMA ABIERTA, EL PILOTO, SECADOR DE ROPA, EL CALENTADOR, ETC.

Su generador debe ser comenzado y debe ser operado durante varios minutos por lo menos cada 30 días. Cuando el equipo generador no se está operando o está almacenado durante más de un mes, siga las instrucciones siguientes:

1. Vuelva a llenar de aceite el motor hasta su nivel superior.
2. Ponga a funcionar el generador, luego cierre la válvula de bloqueo de combustible y permita que la unidad siga en funcionamiento hasta que el motor se detenga.
3. Mueva la llave del motor a la posición "OFF". (Haga girar la llave a "OFF" en los modelo DXGN14000).
4. Después de que la unidad se ha enfriado, drene el combustible del tanque de combustible, el conducto de combustible y el carburador.
5. Vierta hasta una cucharadita de aceite para motores a través del orificio de la bujía, tire del arrancador de reacción varias veces y reemplace la bujía. Luego tire del arrancador hasta que sienta que el pistón está en su carrera de compresión y déjelo en esta posición. Esto cierra las válvulas de entrada y escape para evitar que el interior del cilindro se oxide.
6. Cubra la unidad y almacénela en un lugar limpio y seco con buena ventilación y lejos de chispas o llamas.

**AVISO:** Recomendamos que siempre utilice un estabilizador para combustible. Un estabilizador de combustible minimizará la formulación de depósitos de goma de combustible durante el almacenamiento. El estabilizador de combustible puede agregarse a la gasolina en el tanque de combustible o junto con la gasolina en un contenedor de almacenamiento.

## MANTENIMIENTO GENERAL

Mantenimiento y servicio apropiado se requiere para conseguir máxima vida del motor y mantener la garantía. Las siguientes tablas proporcionan especificaciones del motor al igual que el programa de mantenimiento del motor. Note que los modelos de generador son relacionados con el modelo del motor. El manual de usuario del motor es proporcionado con cada maquina y también proporciona información de mantenimiento y problemática. Posponga el manual de mantenimiento del motor si hay algún error en la información proporcionada en este manual y el manual del motor. Manuales de servicio del motor están disponibles de American Honda Motor Co., 4900 Marconi Drive, Alpharetta, GA 30005-8847, (800) 910-1293.

## ESPECIFICACIONES Y CAPACIDADES DEL MOTOR

Modelo	GX270 (DXGN4500)	GX340 (DXGN6000)	GX390 (DXGN7200)	GX630 (DXGN14000)
Tiempo	4-stroke, overhead valve single cylinder, inclined 25°			4-stroke, overhead valve, V-Twin
Desplazo	270cc (16.5 cu in)	389cc (23.7 cu in)	389cc (23.7 cu in)	688cc (42.0 cu in)
Calibre y Tiempo	73 x 58 mm (2.9 x 2.3 in)	88 x 64 mm (3.5 x 2.5 in)	88 x 64 mm (3.5 x 2.5 in)	78 x 72 mm (3.1 x 2.8 in)
Caballos neto	8.5 hp @3600rpm	10.7 hp @3600rpm	11.7 hp @3600rpm	20.2hp @3600rpm
Momento de torsión neto	14.1ft-lb @2500rpm	19.5ft-lb @2500rpm	19.5ft-lb @2500rpm	35.1ft-lb @2500rpm
Proporción de Compresión	8.5 : 1	8.2 : 1	8.2 : 1	9.3 : 1
Sistema de Enfriamiento	Forced-air			
Sistema de Ignición	Transistorized magneto			
Tiempo de Ignición			25° B.T.D.C. (fixed)	
Bujía	BPR6ES (NGK), W20EPR-U (Nippondenso)			
Carburador	Horizontal type, butterfly valve			
Limpiador de Aire	Dual element type			
Sistema de Lubricación	Splash		Forced Oil	
Capacidad de Aceite	1.1l (1.16 US qt)	1.1l (1.16 US qt)	1.1l (1.16 US qt)	2.0 l (2.1 US qt)
Sistema de Arranque	Recoil	Recoil	Recoil/Electric	Electric
Sistema de Parar	Ignition primary circuit ground			
Tipo de Combustible	Unleaded gasoline (86 pump octane)			
PTO Rotación del Mango	Counterclockwise (from PTO side)			
Peso	25.0 kg (55.1 lb)	31.5 kg (69 lb)	31.5 kg (69 lb)	44.0 kg (96.8 lb)

## SELECTION DE ACEITE

Selección de aceite apropiado al igual que nivel de aceite es crítico para conseguir vida máxima del motor. Use aceite con alto detergente y alta calidad certificado para la clase CC y CD que debe ser designado en el contenedor. SAE 20W-40 es recomendado para uso general y todas las temperaturas. Use la tabla de abajo para seleccionar el aceite apropiado para la temperatura de su área.

Viscosidad	-30C/-22F	-20C/-4F	-10C/14F	0C/32F	10C/50F	20C/68F	30C/86F	40C/104F
Solo	10W	—————						
	20W		—————					
	20		—————					
	30			—————				
	40				—————			
Múltiplo	20W-40, 20W-50		—————					—————
	15W-40, 15W-50		—————					—————
	10W-40		—————					—————
	10W-30		—————					—————

## PROGRAMA DE MANTENIMIENTO DE MOTOR

ARTICULO		Cada Uso	1er Mes O 20 Hrs	3 Meses O 50Hrs	6 Meses O 100Hrs	Cada Año O 300Hrs
Aceite	Cheque	X				
	Cambie		X		X	
Limpiador de Aire	Cheque	X				
	Limpie			X (1)		
Copa de Sedimento	Limpie				X	
Bujía	Cheque-Cambie				X	
Atrapa chispas	Limpie				X	
Válvula de Despeje	Cheque-Ajuste					X (2)
Tanque de Combustible y Colador	Limpie					X (2)
Línea de Combustible	Cheque	Reemplace a como sea necesario				

Notas:

(1) Revise mas frecuente en áreas polvosas.

(2) Deben ser revisados a menos que un comerciante o dueño tenga la herramienta apropiada y es experto mecánicamente. Vea el Manual de Taller de motor para instrucciones.

### INSPECCION DIARIA

1. Cuerda para arranque manual
2. Nivel de Aceite de Motor
3. Cheque el Aceite de Motor y Fugas de Combustible
4. Inspeccione los cables de bujías
5. Inspeccione el Sistema de Enfriamiento para Limpieza
6. Este al tanto de Ruidos Anormales
7. Este al tanto de Vibraciones Anormales

### PARACHISPAS

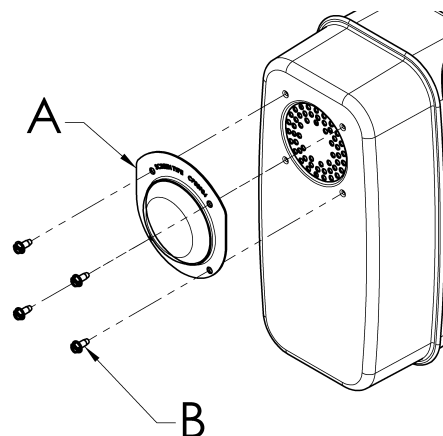
El servicio del parachispas debe realizarse cada 100 horas para que pueda seguir funcionando como ha sido diseñado.

Si el motor había estado en marcha, el silenciador estará caliente. Deje que se enfrie antes de realizar el servicio del parachispas.

#### DXGN4500, DXGN6000, y DXGN7200

Limpie e inspeccione el parachispas de la siguiente manera:

1. Quite el cuatro tornillos (B) y protector del parachispas (A) del silenciador.
2. Emplee un cepillo para sacar la carbonilla acumulada en la rejilla del parachispas. Tenga cuidado para no dañar la rejilla.
3. El parachispas deberá estar exento de roturas y agujeros. Reemplace el parachispas si está dañado.
4. Coloque el protector del parachispas (A) en el silenciador al alinear los agujeros del protector con los agujeros perforados en el silenciador. Enrosque los cuatro tornillos (B) en los agujeros y apriételes firmemente.



#### DXGN14000

Vea instrucciones suministradas con Juego de Parachispas.

## GUIA PARA ENCONTRAR FALLAS

SINTOMAS	CAUSA POSIBLE	CORRECCION
MOTOR NO ARRANCA	<ol style="list-style-type: none"> <li>1. Bajo Nivel de Aceite.</li> <li>2. No Combustible o válvulas(s) apagadas.</li> <li>3. Interruptor de arranque apagado</li> <li>4. Sistema de Combustible Cerrado / Con Fugas</li> <li>5. Filtro de aire atascado.</li> <li>6. Generador bajo carga al arranque.</li> </ol>	<ol style="list-style-type: none"> <li>1. Rellene con Aceite.</li> <li>2. Rellene con Combustible / Prenda válvulas.</li> <li>3. Prenda el Interruptor</li> <li>4. Repare el sistema de combustible.</li> <li>5. Limpie o remplace el filtro de aire.</li> <li>6. Desconecte la carga.</li> </ol>
NO HAY POTENCIA	<ol style="list-style-type: none"> <li>1. Interruptor atascado.</li> <li>2. receptáculo GFCI atascado.</li> <li>3. Interruptor con fallas.</li> <li>4. Receptáculo con fallas.</li> <li>5. Condensador con fallasen el alternador.</li> <li>6. Diodo con fallas en el alternador.</li> <li>7. Falla en el cableado del alternador.</li> </ol>	<ol style="list-style-type: none"> <li>1. Reajuste interruptor.</li> <li>2. Reajuste receptáculo GFCI.</li> <li>3. Remplace el interruptor.</li> <li>4. Remplace el receptáculo.</li> <li>5. Reemplace condensador.</li> <li>6. Remplace diodos.</li> <li>7. Repare o remplace el alternador.</li> </ol>
RUIDO DE LA MAQUINA	<ol style="list-style-type: none"> <li>1. Soporte Dañado.</li> <li>2. Sistema exhausto Dañado.</li> <li>3. Piezas flojas o sueltas.</li> </ol>	<ol style="list-style-type: none"> <li>1. Remplace soporte.</li> <li>2. Repare o remplace.</li> <li>3. Repare piezas flojas o sueltas.</li> </ol>
SOBRECALENTANDOSE	<ol style="list-style-type: none"> <li>1. Aperturas de ventilación bloqueadas.</li> <li>2. Sobrecarga.</li> <li>3. Temperatura del ambiente muy alta.</li> </ol>	<ol style="list-style-type: none"> <li>1. Despeje la aperturas de ventilación.</li> <li>2. Verifique los niveles de carga.</li> <li>3. Proporcione mejor ventilación para el enfriamiento.</li> </ol>
INTERRUPTORES ATASCADOS	<ol style="list-style-type: none"> <li>1. Circuito sobrecargado.</li> <li>2. Equipo o cable con fallas.</li> <li>3. Interruptores con fallas.</li> </ol>	<ol style="list-style-type: none"> <li>1. Reduzca la carga.</li> <li>2. Cheque, repare o replaza.</li> <li>3. Remplace interruptor.</li> </ol>

PRAMAC America 1300 Gresham Road Marietta, GA 30062

Copyright © 2012

The following are trademarks for one or more DEWALT power tools: the yellow and black color scheme.

DEWALT®, GUARANTEED TOUGH® and the yellow and black color scheme are trademarks of the  
DEWALT Industrial Tool Co., used under license.

PRAMAC America 1300 Gresham Road Marietta, GA 30062, a licensee of DEWALT Industrial Tools.