

DEWALT®



**Instruction Manual
Guide D'utilisation
Manual de instrucciones
Manual de Instruções**

DW088, DW088K, DW088CG

LaserChalkLine™ Laser Line Generator

Générateurs de faisceaux laser LaserChalkLine^{MC}

Generador de línea láser LaserChalkLine™

Gerador de Linha Laser LaserChalkLine™

**www.DEWALT.com
www.DEWALT-LA.com**

If you have questions or comments, contact us.

Pour toute question ou tout commentaire, nous contacter.

Si tiene dudas o comentarios, contáctenos.

Se você tiver dúvidas ou comentários, entre em contato conosco.

1-800-4-DEWALT

English	1
---------	---

Français	9
----------	---

Español	17
---------	----

Português	27
-----------	----

If you have any questions or comments about this or any DeWALT tool, call us toll free at: 1-800-4-DeWALT (1-800-433-9258).

Safety Instructions for Lasers



WARNING! Read and understand all instructions. Failure to follow all instructions listed below may result in electric shock, fire and/or serious personal injury.

SAVE THESE INSTRUCTIONS



WARNING! Laser Radiation Exposure. Do not disassemble or modify the laser level. There are no user serviceable parts inside. Serious eye injury could result.



WARNING: Hazardous Radiation. Use of controls or adjustments or performance of procedures other than those specified herein may result in hazardous radiation exposure.

- **Do not operate the laser in explosive atmospheres, such as in the presence of flammable liquids, gases, or dust.** Power tools create sparks which may ignite the dust or fumes.
- **Use the laser only with the specifically designated batteries.** Use of any other batteries may create a risk of fire.
- **Store idle laser out of reach of children and other untrained persons.** Lasers are dangerous in the hands of untrained users.
- **Use only accessories that are recommended by the manufacturer for your model.** Accessories that may be suitable for one laser, may create a risk of injury when used on another laser.
- **Tool service must be performed only by qualified repair personnel.** Service or maintenance performed by unqualified personnel may result in injury. To locate your nearest DeWALT service center call 1-800-4-DeWALT (1-800-433-9258) or go to <http://www.DeWALT.com> on the Internet.
- **Do not use optical tools such as a telescope or transit to view the laser beam.** Serious eye injury could result.
- **Do not place the laser in a position which may cause anyone to intentionally or unintentionally stare into the laser beam.** Serious eye injury could result.
- **Turn the laser off when it is not in use.** Leaving the laser on increases the risk of staring into the laser beam.
- **Do not disassemble the laser tool.** There are no user serviceable parts inside.
- **Do not modify the laser in any way.** Modifying the tool may result in Hazardous Laser Radiation Exposure.
- **Do not operate the laser around children or allow children to operate the laser.** Serious eye injury may result.
- **Do not remove or deface warning labels.** Removing labels increases the risk of exposure to radiation.
- **Position the laser securely on a level surface.** Damage to the laser or serious injury could result if the laser falls.



WARNING: Use of this tool can generate and/or disburse dust, which may cause serious and permanent respiratory or other injury. Always use NIOSH/OSHA approved respiratory protection appropriate for the dust exposure. Direct particles away from face and body.

- The label on your tool may include the following symbols.

Vvolts

nmwavelength in nanometers

mWmilliwatts

II (2)Class II (2) Laser



.....laser warning symbol

Warning Labels

For your convenience and safety, the following labels are on your laser (refer to Fig. C).



CAUTION: LASER RADIATION - DO NOT STARE INTO THE LASER BEAM. CLASS II LASER PRODUCT.








CAUTION: CLASS 2 LASER RADIATION WHEN OPEN DO NOT STARE INTO THE BEAM.


DW088
LaserChalkLine™
LASER LINE GENERATOR




DeWALT Industrial Tool CO.
Towson, MD 21286 USA
For service information, call
1-800-4-DEWALT


DeWALT EU
Black & Decker-Strasse 40
D-65510 Idstein, Germany
UK Importer - DeWALT UK
270 Bath Rd
Slough SL1 4DX, England

SER. XXXXXXXXXX








TYPE 2 4.5V DC 



LASER
2



≤1.3mW @ 630-680nm
IEC 60825-1:2014

Complies with 21 CFR 1040.10 and 1040.11 except for conformance with IEC 60825-1 Ed. 3., as described in Laser Notice No. 56, dated May 8, 2019






Made in China www.dewalt.com www.2helpu.com


DW088CG
LaserChalkLine™
LASER LINE GENERATOR




DeWALT Industrial Tool CO.
Towson, MD 21286 USA
For service information, call
1-800-4-DEWALT


DeWALT EU
Black & Decker-Strasse 40
D-65510 Idstein, Germany
UK Importer - DeWALT UK
270 Bath Rd
Slough SL1 4DX, England

SER. XXXXXXXXXX








TYPE 1 4.5V DC 



LASER
2



≤1.3mW @ 510-530nm
IEC 60825-1:2014

Complies with 21 CFR 1040.10 and 1040.11 except for conformance with IEC 60825-1 Ed. 3., as described in Laser Notice No. 56, dated May 8, 2019

Made in China www.dewalt.com www.2helpu.com

Laser Information

The DW088 LaserChalkLine™ Laser Line Generators are Class II (2) laser products and comply with 21 CFR 1040.10 and 1040.11 except for conformance with IEC 60825-1 Ed. 3., as described in Laser Notice No. 56, dated May 8, 2019.

Introduction

The DW088 lasers are self-leveling laser tools that can be used inside and outside for horizontal (level), vertical, and plumb alignment projects.

General Safety Rules For Battery Operated Tools

 **WARNING! Read and understand all instructions.** Failure to follow all instructions listed below may result in electric shock, fire and/or serious personal injury.

WORK AREA

- **Keep your work area clean and well lit.** Cluttered benches and dark areas invite accidents.
- **Do not operate power tools in explosive atmospheres, such as in the presence of flammable liquids, gases, or dust.** Power tools create sparks which may ignite the dust or fumes.
- **Keep bystanders, children, and visitors away while operating a power tool.** Distractions can cause you to lose control.

ELECTRICAL SAFETY

- **Use battery operated tool only with the specifically designed batteries.** Use of any other batteries may create a risk of fire.

Battery

This tool is powered by three 1.5V AA size batteries.

To install batteries:

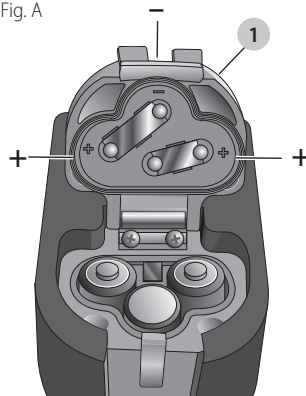
1. Lift up the battery compartment cover 1 as shown in Figure A.
2. Insert three fresh AA batteries in the compartment, placing the batteries according to (+) and (-) on the inside of the battery door.



WARNING: Batteries can explode, or leak, and can cause injury or fire. To reduce this risk:

- Carefully follow all instructions and warnings on the battery label and package.
- Always insert batteries correctly with regard to polarity (+ and -), marked on the battery and the equipment.
- Do not short battery terminals.
- Do not charge batteries.
- Do not mix old and new batteries. Replace all of them at the same time with new batteries of the same brand and type.
- Remove dead batteries immediately and dispose of per local codes.
- Do not dispose of batteries in fire.
- Keep batteries out of reach of children.
- Remove batteries if the device will not be used for several months.

Fig. A



PERSONAL SAFETY

- **Stay alert, watch what you are doing and use common sense when operating a laser tool. Do not use tool while tired or under the influence of drugs, alcohol, or medication.** A moment of inattention while operating power tools may result in serious personal injury.
- **Do not overreach.** Keep proper footing and balance at all times. Proper footing and balance enables better control of the tool in unexpected situations.
- **Use safety equipment. Always wear eye protection.** Dust mask, non-skid safety shoes, hard hat, or hearing protection may be required for appropriate conditions.

TOOL USE AND CARE

- **Do not use tool if switch does not turn it on or off.** Any tool that cannot be controlled with the switch is dangerous and must be repaired.
- **Store idle tools out of reach of children and other untrained persons.** Tools are dangerous in the hands of untrained users.
- **Use only accessories that are recommended by the manufacturer for your model.** Accessories that may be suitable for one tool, may become hazardous when used on another tool.

SERVICE

- **Tool service must be performed only by qualified repair personnel.** Service or maintenance performed by unqualified personnel could result in a risk of injury.
- **When servicing a tool, use only identical replacement parts.** Follow instructions in the Maintenance section of this manual. Use of unauthorized parts or failure to follow Maintenance Instructions may create a risk of electric shock or injury.

To locate your nearest DeWALT service center call 1-800-4-DeWALT (1-800-433-9258) or go to <http://www.DeWALT.com> on the Internet.

Operating Tips

- Use only new, high-quality, name brand batteries for best results.
- Ensure batteries are in good working condition. If the low battery red indicator light is flashing, the batteries need replacement.
- To extend battery life, turn laser off when not working with or marking the beam.
- To ensure the accuracy of your work, check to make sure your laser is calibrated often. See **Field Calibration Check**.
- Before attempting to use the laser, make sure it is positioned securely, on a smooth, flat surface.
- Always mark the center of the beam created by the laser.
- Extreme temperature changes may cause movement of internal parts that can affect accuracy. Check your accuracy often while working. See **Field Calibration Check**.
- If the laser has been dropped, check to make sure your laser is still calibrated. See **Field Calibration Check**.

ENGLISH

Low Battery Indication

The DW088 lasers are equipped with a red indicator light **2**, as shown in Figure B. The red indicator lights are located to the left of the on/off buttons **3**, **4**.

A flashing red indicator light indicates that the batteries are low and need to be replaced. The laser may continue to operate for a short time while the batteries continue to drain, but the beam(s) will quickly dim. After fresh batteries are installed and the laser is turned on again, the laser beam(s) will return to full brightness and the red indicator light will stay off. (A flashing laser beam is not caused by low batteries; see **Out of Tilt Range Indicator**.)

OPERATION

To Turn the Lasers On and Off (Fig. B)

With the laser off, place it on a flat surface. This model has two ON/OFF buttons, one for a horizontal laser line **3** and one for a vertical laser line **4**. Each laser line is powered on by pressing its ON/OFF button. The laser lines can be powered one at a time or at the same time. Pressing the ON/OFF buttons again turns the laser lines off.

Using the Lasers

The beams are level or plumb as long as the calibration has been checked (see **Field Calibration Check**) and the laser beam is not flashing (see **Out of Tilt Range Indicator**).

Out of Tilt Range Indicator (Fig. C, D)

The lasers are designed to self-level. If the laser has been tilted so much that it cannot level itself (average $> 4^\circ$ tilt), it will flash the laser beam (Fig. D). The flashing beam indicates the tilt range has been exceeded and IS NOT LEVEL (OR PLUMB) AND SHOULD NOT BE USED FOR DETERMINING OR MARKING LEVEL (OR PLUMB). Try repositioning the laser on a more level surface.

Fig. C

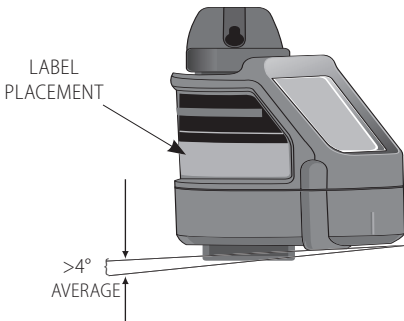


Fig. B

DW088

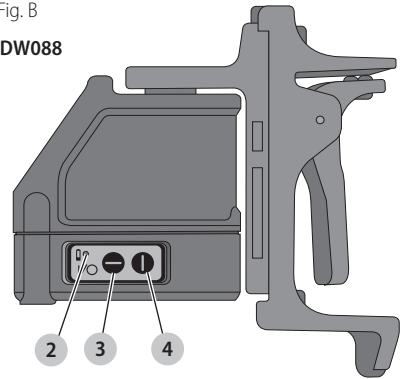
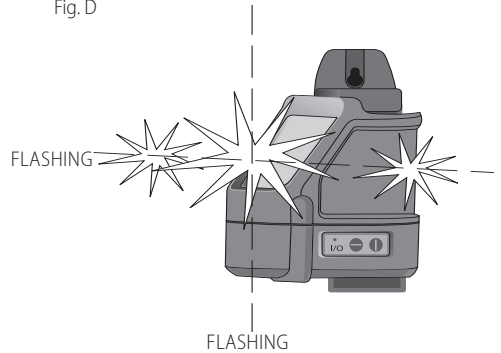


Fig. D



Using the Lasers with Accessories

The lasers are equipped with a 1/4" x 20 female thread on the bottom of the unit. This thread is to accommodate current or future DEWALT accessories. Only use DEWALT accessories specified for use with this product. Follow the directions included with the accessory.



CAUTION: The use of any other accessory not recommended for use with this tool could be hazardous.

If you need any assistance in locating any accessory, please contact DEWALT Industrial Tool Co., 701 East Joppa Road, Towson, MD 21286 or call 1-800-4-DEWALT (1-800-433-9258). See our catalog on the World Wide Web at www.DEWALT.com.

Using the Pivot Bracket (Fig. E)

The lasers have a magnetic pivot bracket **5** permanently attached to the units. This bracket allows the unit to be mounted to any upright surface made of steel or iron. Common examples of suitable surfaces include steel framing studs, steel door frames and structural steel beams. The bracket also has a keyhole slot **6** allowing the unit to be hung from a nail or screw on any kind of surface. Position the laser and/or wall mount on a stable surface. Serious personal injury or damage to the laser may result if the laser falls.

Using the Laser with the Wall Mount (Fig. E)

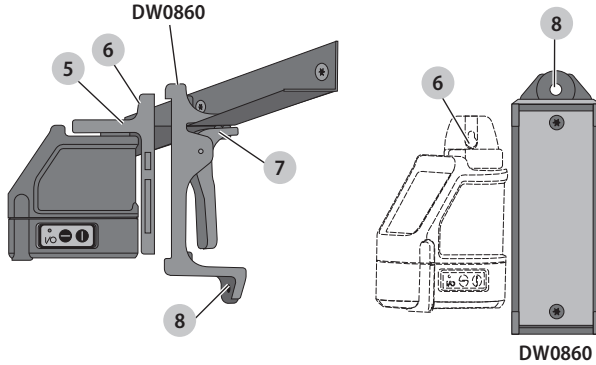
The DW0860 Laser Wall Mount offers more mounting options for the DW088 lasers. The wall mount has a clamp **7** at one end which can be fixed to a wall angle for acoustic ceiling installation. At the other end of the wall mount is a screw hole **8**, allowing the wall mount to be attached to any surface with a nail or screw.

Once the wall mount is secured, its steel plate provides a surface to which the magnetic pivot bracket can be attached. The position of the laser can then be fine-tuned by sliding the pivot bracket up or down on the wall mount.

Leveling the Lasers

As long as the lasers are properly calibrated, the lasers are self-leveling. Each laser is calibrated at the factory to find level as long as it is positioned on a flat surface within average $\pm 4^\circ$ of level. No manual adjustments must be made.

Fig. E



MAINTENANCE

- To maintain the accuracy of your work, check the laser often to make sure it is properly calibrated. See **Field Calibration Check**.
- Calibration checks and other maintenance repairs may be performed by DEWALT service centers.
- When not in use, store the laser in the kit box provided. Do not store your laser at temperatures below -5°F (-20°C) or above 140°F (60°C).
- Do not store your laser in the kit box if the laser is wet. The laser should be dried first with a soft dry cloth.

Cleaning

Exterior plastic parts may be cleaned with a damp cloth. Although these parts are solvent resistant, NEVER use solvents. Use a soft, dry cloth to remove moisture from the tool before storage.

Field Calibration Check

Checking Accuracy – Horizontal Beam, Scan Direction (Fig. F)

Checking the horizontal scan calibration of the laser requires two walls at least 30' (9 m) apart. It is important to conduct a calibration check using a distance no shorter than the distance of the applications for which the tool will be used.

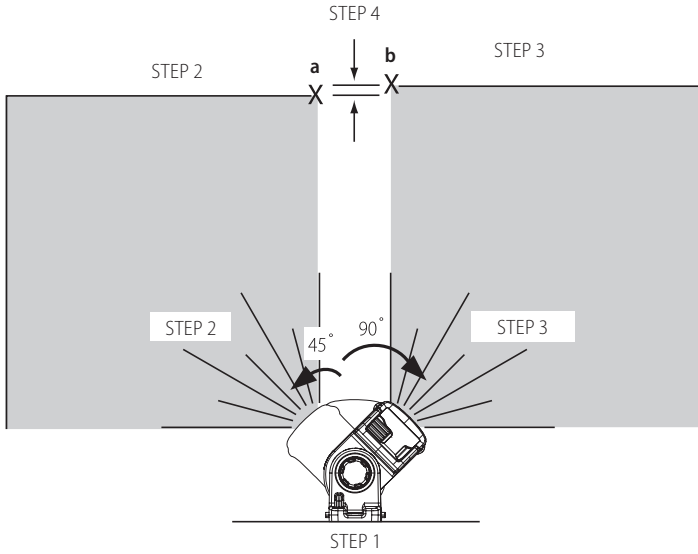
1. Attach the laser to a wall using its pivot bracket. Make sure the laser is facing straight ahead.
2. Turn on the laser's horizontal beam and pivot the laser approximately 45° so that the right-most end of the laser line is striking the opposing wall at a distance of at least 30' (9 m). Mark the center of the beam (a).
3. Pivot the laser approximately 90° to bring the left-most end of the laser line around to the mark made in Step 2. Mark the center of the beam (b).
4. Measure the vertical distance between the marks.

- If the measurement is greater than the values shown below, the laser must be serviced at an authorized service center.

Distance Between Walls	Allowable Distance Between (a) and (b)
30'	1/8"
40'	5/32"
50'	7/32"

Distance Between Walls	Allowable Distance Between (a) and (b)
9.0 m	3.1 mm
12.0 m	4.2 mm
15.0 m	5.2 mm

Fig. F



Checking Accuracy – Horizontal Beam, Pitch Direction (Fig. G)

Checking the horizontal pitch calibration of the laser requires a single wall at least 30' (9 m) long. It is important to conduct a calibration check using a distance no shorter than the distance of the applications for which the tool will be used.

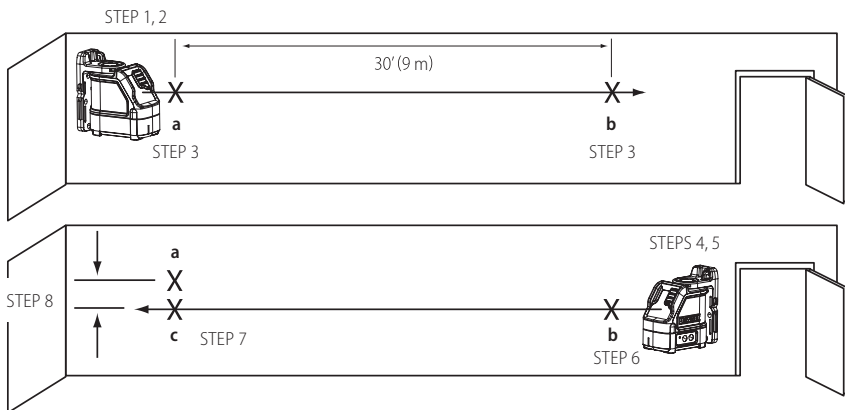
1. Attach the laser to one end of a wall using its pivot bracket.
2. Turn on the laser's horizontal beam and pivot the laser toward the opposite end of the wall and approximately parallel to the adjacent wall.
3. Mark the center of the beam at two locations (a, b) at least 30' (9m) apart.
4. Reposition the laser to the opposite end of the wall.
5. Turn on the laser's horizontal beam and pivot the laser back toward the first end of the wall and approximately parallel to the adjacent wall.
6. Adjust the height of the laser so that the center of the beam is aligned with the nearest mark (b).
7. Mark the center of the beam (c) directly above or below the farthest mark (a).
8. Measure the distance between these two marks (a, c).

Distance Between Walls	Allowable Distance Between Ⓐ and Ⓑ
30'	1/4"
40'	5/16"
50'	13/32"

Distance Between Walls	Allowable Distance Between Ⓐ and Ⓒ
9.0 m	6.2 mm
12.0 m	8.3 mm
15.0 m	10.4 mm

- If the measurement is greater than the values shown below, the laser must be serviced at an authorized service center.

Fig. G



Checking Accuracy – Vertical Beam (Fig. H)

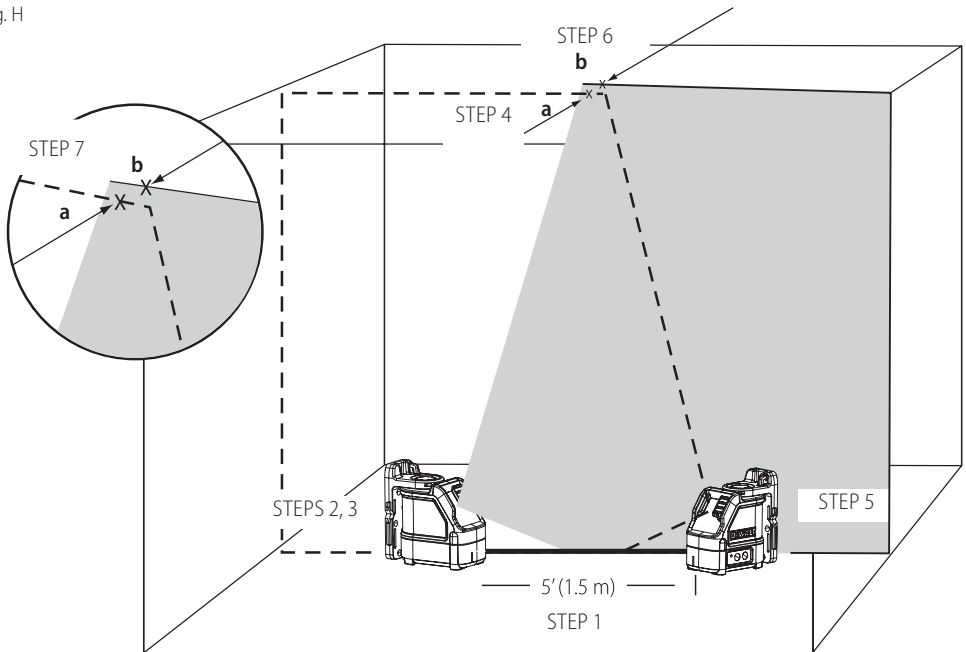
Checking the vertical (plumb) calibration of the laser can be most accurately done when there is a substantial amount of vertical height available, ideally 20' (6 m), with one person on the floor positioning the laser and another person near a ceiling to mark the position of the beam. It is important to conduct a calibration check using a distance no shorter than the distance of the applications for which the tool will be used.

1. Start by marking a 5' (1.5 m) line on the floor.
 2. Turn on the laser's vertical beam and position the unit at one end of the line, facing the line.
 3. Adjust the unit so its beam is aligned and centered on the line on the floor.
 4. Mark the position of the laser beam on the ceiling (a). Mark the center of the laser beam directly over the midpoint of the line on the floor.
 5. Reposition the laser at the other end of the line on the floor. Adjust the unit once again so its beam is aligned and centered on the line on the floor.
 6. Mark the position of the laser beam on the ceiling (b), directly beside the first mark (a).
 7. Measure the distance between these two marks.
- If the measurement is greater than the values shown below, the laser must be serviced at an authorized service center.

Distance Between Walls	Allowable Distance Between (a) and (b)
8'	1/8"
10'	3/16"
14'	1/4"
20'	3/8"

Distance Between Walls	Allowable Distance Between (a) and (b)
2.5 m	3.4 mm
3.0 m	4.2 mm
4.0 m	5.5 mm
6.0 m	8.2 mm

Fig. H



Troubleshooting

The Laser Does Not Turn On

- Make sure batteries are installed according to (+) and (-) on the inside of the battery door.
- Make sure the batteries are in proper working condition. If in doubt, try installing new batteries.
- Make sure that the battery contacts are clean and free of rust or corrosion. Be sure to keep the laser level dry and use only new, high-quality, name brand batteries to reduce the chance of battery leakage.
- If the laser unit is heated above 120 °F (50 °C), the unit will not turn on. If the laser has been stored in extremely hot temperatures, allow it to cool. The laser level will not be damaged by pressing the on/off button before cooling to its proper operating temperature.

ENGLISH

The Laser Beams Flash (Fig. C, D)

The DW088 lasers have been designed to self-level up to an average of 4° in all directions when positioned as shown in Figure C. If the laser is tilted so much that internal mechanism cannot level itself, it will flash the laser (Fig. D) – the tilt range has been exceeded. THE FLASHING BEAMS CREATED BY THE LASER ARE NOT LEVEL OR PLUMB AND SHOULD NOT BE USED FOR DETERMINING OR MARKING LEVEL OR PLUMB. Try repositioning the laser on a more level surface.

The Laser Beams Will Not Stop Moving

The DW088 lasers are precision instruments. Therefore, if the laser is not positioned on a stable (and motionless) surface, the laser will continue to try to find level. If the beam will not stop moving, try placing the laser on a more stable surface. Also, try to make sure that the surface is relatively flat, so that the laser is stable.

Service and Repairs

NOTE: Disassembling the laser level(s) will void all warranties on the product.

To assure product SAFETY and RELIABILITY, repairs, maintenance and adjustment should be performed by authorized service centers. Service or maintenance performed by unqualified personnel may result in a risk of injury. To locate your nearest DEWALT service center call 1-800-4-DEWALT (1-800-433-9258) or go to <http://www.DEWALT.com> on the Internet.

Warranty

Go to www.DEWALT.com for the latest warranty information.

SPECIFICATIONS	DW088 / DW088K	DW088CG
Laser Wavelength	630 – 680 nm Visible	510 – 530 nm Visible
Laser Power	<1.3 mW (each beam) CLASS II (2) LASER PRODUCT	
Working Range	50' (15 m) 165' (50 m) with detector (sold separately)	100' (30 m) 330' (100 m) with detector (sold separately)
Accuracy (Level)	± 1/8" per 30' (±3.1 mm per 9 m)	
Indicators	Flashing Indicator: battery low Flashing Laser: tilt range exceeded	
Power Source	3x AA size (LR6) alkaline batteries (4.5V DC)	
Operating Temperature	14 °F to 122 °F (-10 °C to 50 °C)	
Storage Temperature	-5 °F to 140 °F (-20 °C to 60 °C)	
Environmental	Water & Dust Resistant to IP54	
Detector	DW0892	DW0892G
Altitude	< 6500' (2000 m)	
Humidity	Maximum 80% for temperatures up to 88 °F (31 °C), decreasing linearly to 50% relative humidity at 122 °F (50 °C)	

Si vous avez des questions ou vous voulez nous faire part de vos commentaires concernant cet outil ou tout autre outil DEWALT, composez sans frais le : 1 800 433-9258 (1-800-4-DEWALT).

Consignes de sécurité importantes pour lasers



AVERTISSEMENT : lire, comprendre et suivre toutes les directives précisées ci-dessous afin d'éviter les risques de choc électrique, d'incendie ou de blessure grave.

CONSERVER CES DIRECTIVES



AVERTISSEMENT : exposition à des radiations laser. Ne pas démonter ou modifier le niveau laser. Il ne comporte à l'intérieur aucune pièce réparable par l'utilisateur. De sérieuses lésions oculaires pourraient en résulter.



AVERTISSEMENT : radiation dangereuse. Toute utilisation des commandes ou exécution des procédures ou tout réglage non conforme aux spécifications incluses dans les présentes pose des risques d'exposition à des radiations laser dangereuses.

- **Ne pas utiliser le laser dans une atmosphère explosive, comme en présence de liquide, de gaz ou de poussière inflammable.** Les outils électriques peuvent engendrer des étincelles qui pourraient enflammer toute émanation ou poussière environnante.
- **N'utiliser que des piles spécialement conçues pour les lasers;** l'usage de tout autre type de pile pourrait entraîner des risques d'incendie.
- **Lorsqu'on n'utilise pas le laser, le ranger hors de la portée des enfants ou des personnes non qualifiées;** les lasers sont dangereux entre les mains de personnes inexpérimentées.
- **N'utiliser que les accessoires recommandés par le fabricant pour le modèle concerné;** un accessoire destiné à un laser particulier peut devenir dangereux lorsqu'il est utilisé avec un autre.
- **L'outil doit être entretenu par le personnel qualifié seulement;** tout entretien effectué par une personne non qualifiée pourrait entraîner des risques de blessure. Pour trouver le centre de service DEWALT le plus proche, appeler le 1-800-433-9258 ou se rendre sur le site Internet <http://www.DEWALT.com>.
- **Ne pas utiliser un dispositif optique, tel qu'un télescope ou une lunette de passage, pour examiner le faisceau laser** afin d'éviter de blesser grièvement les yeux.
- **Ne pas mettre le laser dans une position qui pourrait encourager une personne à regarder directement le faisceau laser, volontairement ou involontairement,** car cela pourrait blesser grièvement les yeux.
- **Mettre le laser hors tension après chaque utilisation,** car un laser laissé sous tension augmente les risques que quelqu'un regarde directement le faisceau laser.
- **Ne pas démonter l'outil laser.** Il ne comporte à l'intérieur aucune pièce réparable par l'utilisateur.
- **Ne modifier le laser en aucune façon.** Le fait de modifier l'outil pose des risques d'exposition à des radiations laser dangereuses.
- **Ne pas utiliser le laser en présence d'un enfant, ni autoriser les enfants à utiliser le laser** afin d'éviter les blessures graves aux yeux.
- **Ne pas retirer ni abîmer les étiquettes d'avertissement;** le fait de retirer les étiquettes augmentera les risques d'exposition aux radiations laser.
- **S'assurer de bien déposer le laser sur une surface de niveau** afin de l'empêcher de tomber et de s'endommager ou de blesser l'utilisateur.



AVERTISSEMENT : les scies, meules, ponceuses, perceuses ou autres outils de construction peuvent produire des poussières contenant des produits chimiques reconnus par l'État californien pour causer cancers, malformations congénitales ou être nocifs au système reproducteur. Parmi ces produits chimiques, on retrouve :

- Le plomb dans les peintures à base de plomb ;
- La silice cristallisée dans les briques et le ciment, ou autres produits de maçonnerie ; et
- L'arsenic et le chrome dans le bois ayant subi un traitement chimique.

Le risque associé à de telles expositions varie selon la fréquence à laquelle on effectue ces travaux. Pour réduire toute exposition à ces produits : travailler dans un endroit bien aéré, en utilisant du matériel de sécurité homologué, tel un masque antipoussières spécialement conçu pour filtrer les particules microscopiques.

- **Limiter toute exposition prolongée avec les poussières provenant du ponçage, sciage, meulage, perçage ou toute autre activité de construction. Porter des vêtements de protection et nettoyer à l'eau savonneuse les parties du corps exposées.** Le fait de laisser la poussière pénétrer dans la bouche, les yeux ou la peau peut favoriser l'absorption de produits chimiques dangereux.



AVERTISSEMENT : cet outil peut produire et/ou répandre de la poussière susceptible de causer des dommages sérieux et permanents au système respiratoire. Utiliser systématiquement un appareil de protection des voies respiratoires homologué par le NIOSH ou l'OSHA. Diriger les particules dans le sens opposé au visage et au corps.

FRANÇAIS

- L'étiquette apposée sur l'outil peut afficher les symboles suivants :

V volts

nm longueur d'onde exprimée en nanomètres

mW milliwatts


II (2) Laser de classe II (2)

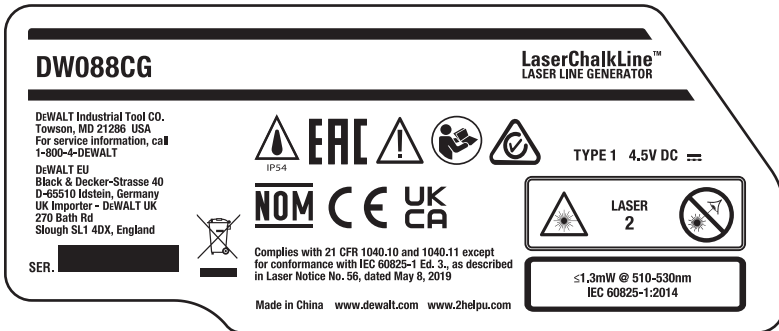
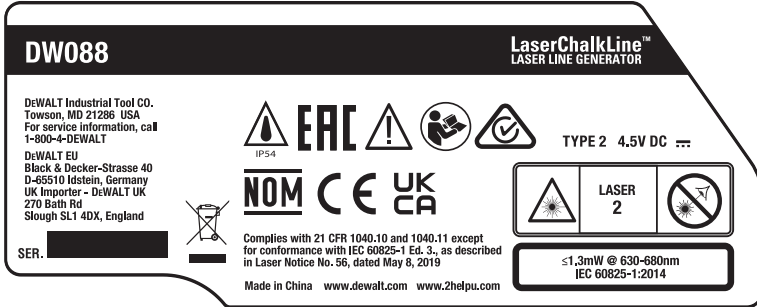
 symbole d'avertissement laser

Étiquettes d'avertissement

Pour votre confort et votre sécurité, les étiquettes suivantes se trouvent sur votre laser (reportez-vous à la Fig. C).

 **ATTENTION : RADIATION LASER - NE JAMAIS FIXER LE FAISCEAU LASER DES YEUX. APPAREIL LASER DE CLASSE II (2).**

 **ATTENTION : RADIATIONS LASER DE CLASSE 2, NE PAS FIXER LE FAISCEAU DES YEUX PENDANT SON FONCTIONNEMENT.**



Renseignements sur le laser

Les générateurs de lignes laser DW088 LaserChalkLine™ sont des produits laser de classe II (2) et sont conformes à 21 CFR 1040.10 et 1040.11, à l'exception de la conformité à la norme IEC 60825-1 Ed. 3., telle que décrite dans la notice laser N° 56 en date du 8 mai 2019.

Introduction

Les niveaux laser sont des appareils laser auto niveleurs qui peuvent être utilisés à l'intérieur comme à l'extérieur pour un nivellement horizontal et vertical

Règles de sécurité concernant les outils à piles – généralités

 **AVERTISSEMENT : lire, comprendre et suivre toutes les directives précisées ci-dessous afin d'éviter les risques de choc électrique, d'incendie ou de blessure grave.**

AIRE DE TRAVAIL

- Garder l'aire de travail propre et bien éclairée; les établis encombrés et les endroits sombres sont propices aux accidents.

- **Ne pas utiliser les outils électriques dans une atmosphère explosive, comme à proximité de liquides, de gaz ou de poussières inflammables;** le moteur peut créer des étincelles et enflammer les vapeurs ou les poussières environnantes.
- **Tenir les enfants, les visiteurs ou toute autre personne à l'écart lorsqu'on utilise un outil électrique;** les distractions peuvent faire perdre la maîtrise de ce dernier.

MESURES DE SÉCURITÉ– ÉLECTRICITÉ

- **N'utiliser l'outil à piles qu'avec les piles désigné,** car l'utilisation d'un autre type de piles peut entraîner un risque d'incendie.

Piles

Cet appareil fonctionne sur trois piles AA 1,5 V.

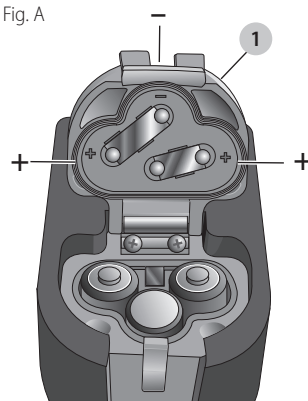
Pour installer les piles:

1. Ouvrir le couvercle du compartiment des piles ❶ comme illustré en Figure A.
2. Insérer trois piles AA neuves dans le compartiment, en s'assurant de bien les disposer conformément aux signes (+) et (-) sur le couvercle du boîtier.

⚠ AVERTISSEMENT : les piles peuvent exploser ou fuir, et posent des risques de blessure ou d'incendie. Pour réduire ces risques :

- Suivre attentivement toute instruction ou tout avertissement inclus sur l'étiquette ou l'emballage des piles.
- Lors de l'installation, toujours respecter la polarité (+ et -) inscrite sur les piles et le matériel.
- Ne pas court-circuiter les bornes.
- Ne pas recharger les piles.
- Ne pas mélanger des piles neuves avec des piles usagées. Remplacer toutes en même temps avec des piles de la même marque ou du même type.
- Retirer les piles mortes immédiatement et s'en débarrasser conformément à la réglementation locale.
- Ne pas jeter les piles au feu.
- Conserver les piles hors de la portée des enfants.
- Retirer les piles lorsque l'appareil n'est pas utilisé pendant plusieurs mois.

Fig. A



SÉCURITÉ PERSONNELLE

- **Rester vigilant en tout temps et faire preuve de jugement lorsqu'on utilise un outil électrique.** Ne pas utiliser l'outil lorsqu'on est fatigué ou sous l'influence de drogues, d'alcool ou de médicaments, car un moment d'inattention pourrait entraîner des blessures graves.
- **Ne pas trop étendre les bras.** Les pieds doivent rester ancrés fermement au sol afin de maintenir son équilibre en tout temps et de mieux maîtriser l'outil dans des situations imprévues.
- **Utiliser le matériel de sécurité approprié; toujours porter des lunettes de protection.** Porter un masque anti-poussières, des chaussures antidérapantes, un casque de sécurité ou des protecteurs auditifs lorsque la situation le requiert.

UTILISATION ET ENTRETIEN DE L'OUTIL

- **Ne pas utiliser l'outil lorsque l'interrupteur marche-arrêt ne fonctionne pas.** Tout outil qui ne peut être commandé au moyen de l'interrupteur est dangereux et doit être réparé.
- **Lorsqu'on n'utilise pas l'outil, le ranger hors de la portée des enfants ou des personnes non qualifiées.** Les outils sont dangereux entre les mains de personnes inexpérimentées.
- **N'utiliser que les accessoires recommandés par le fabricant pour le modèle concerné.** Un accessoire destiné à un outil particulier peut devenir dangereux lorsqu'il est utilisé avec un autre.

ENTRETIEN

- **L'outil doit être entretenu par du personnel qualifié seulement;** tout entretien effectué par une personne non qualifiée pourrait entraîner des risques de blessure.
- **Lors de l'entretien, n'utiliser que des pièces de rechange identiques et suivre les directives précisées à la section « Entretien » du présent manuel** afin de prévenir les risques de choc électrique ou de blessure

Pour trouver le centre de service DEWALT le plus proche, appeler le 1 800-433-9258 (1-800-4-DEWALT) ou se rendre sur le site Internet <http://www.DEWALT.com>.

Conseils d'utilisation

- Pour des résultats optimum, n'utiliser que des piles de marque, neuves et de qualité supérieure.
- S'assurer que les piles fonctionnent correctement. Si le voyant de charge clignote, les piles doivent être changées.
- Pour augmenter la durée de vie des piles, arrêter le laser en fin d'utilisation ou réglage du faisceau.
- Pour assurer la précision de votre travail, vérifier souvent l'étalement du laser. Se reporter à la section **Vérification de l'étalement**.
- Avant toute utilisation du laser, s'assurer qu'il est fermement placé sur une surface lisse et plane.
- Toujours marquer le centre du point ou du motif émis par le laser.
- Des changements extrêmes de température peuvent causer des fluctuations dans les pièces internes pouvant altérer la précision. Vérifier souvent l'étalement pendant le travail. Se reporter à la section **Vérification de l'étalement**.
- S'assurer de bien vérifier l'étalement du laser en cas de chute de ce dernier. Se reporter à la section **Vérification de l'étalement**.

Indicateur de charge

Les lasers sont équipés d'un voyant rouge **2**, comme illustré en Figure B. Les voyants rouges sont situés sur la gauche des boutons ON/OFF (marche/arrêt, **3**, **4**).

Lorsque le voyant rouge clignote, cela indique que les piles sont faibles et doivent être changées. Le laser fonctionnera peut être encore un moment alors que les piles continueront de se vider, mais le faisceau faiblira rapidement. Après l'installation de piles neuves et la remise en marche du laser, le voyant rouge restera éteint et le(s) faisceau(x) retrouveront pleine puissance. (Des piles faibles ne sont pas la cause d'un faisceau clignotant; se reporter à la section **Voyant de défaut d'inclinaison**.)

FONCTIONNEMENT

Pour allumer ou arrêter les lasers (Fig. B)

Disposer le laser arrêté sur une surface plane. Ce modèle a été conçu avec deux boutons marche/arrêt, l'un pour un faisceau laser horizontal **3** et l'autre pour un faisceau vertical **4**. Chaque faisceau est activé en appuyant sur son bouton ON/OFF respectif. Les faisceaux laser peuvent être allumés l'un après l'autre ou les deux en même temps. Réappuyer sur les boutons ON/OFF éteindra les faisceaux laser.

Utilisation du laser

Les faisceaux sont de niveau ou d'aplomb tant que l'étalement a été vérifié (se reporter à la section **Vérification de l'étalement**) ou qu'aucun faisceau ne clignote (se reporter à la section **Voyant de défaut d'inclinaison**).

Voyant de défaut d'inclinaison (Fig. C, D)

Les lasers ont été conçus pour s'autoniveler. Si le laser a été penché de telle façon qu'il ne peut pas s'autoniveler (inclinaison moyenne $> 4^\circ$), son faisceau clignotera (Fig. D). Le faisceau clignotant indique que la plage d'inclinaisons a été dépassée et QUE LE LASER N'EST PLUS AU NIVEAU (OU D'APLOMB) ET NE DOIT PLUS ÊTRE UTILISÉ POUR DÉTERMINER OU MARQUER LE NIVEAU (OU L'APLOMB). Essayer de repositionner le laser sur une surface plus plane.

Fig. C

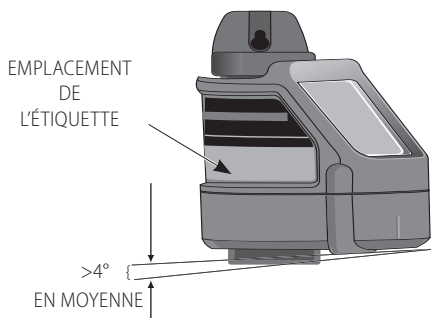


Fig. D

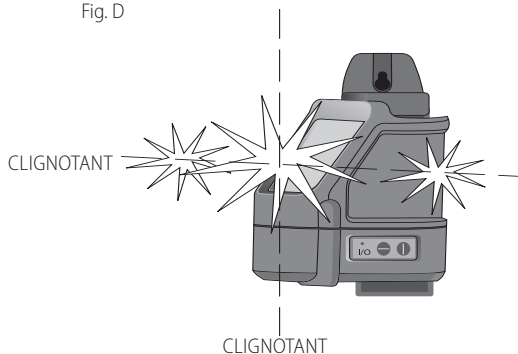
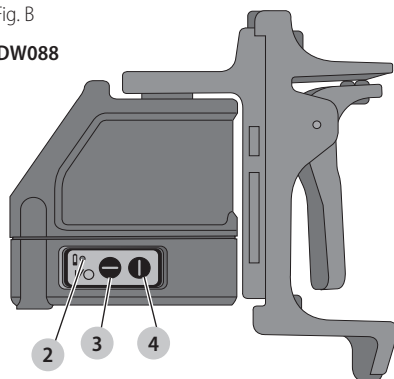


Fig. B

DW088



Utilisation des lasers avec des accessoires

Les lasers sont équipés d'une prise femelle de 1/4 po x 20 à leur base. Ce filetage est destiné à accommoder des accessoires DEWALT existants et futurs. N'utiliser que les accessoires DEWALT spécifiques à ce produit. Suivre les instructions fournies avec l'accessoire.

ATTENTION : *l'usage de tout autre accessoire non recommandé avec cet outil peut présenter un danger.*

Si vous avez besoin d'aide pour localiser ces accessoires, veuillez contacter DEWALT Industrial Tool Co., 701 East Joppa Road, Towson, MD 21286 ou appeler le 1 800-433-9258 (1-800-4-DEWALT). Voir aussi notre catalogue sur l'Internet à www.DEWALT.com.

Utilisation d'un support pivotant (Fig. E)

Les lasers sont munis d'un support pivotant magnétique **5** attaché de façon permanente à l'appareil. Ce support permet que l'appareil soit installé sur n'importe quelle surface en acier ou en fer. Les exemples de surfaces adéquates comprennent : supports de charpente en acier, baguettes d'angle pour placoplâtre, dormants de porte en acier, et poutres de charpente en acier. Le support est aussi muni d'un œillet **6** pour permettre à l'appareil d'être suspendu à un clou ou une vis sur n'importe quelle surface. Positionner le laser et/ou support mural sur une surface stable. Faire tomber le laser pourrait entraîner de sérieuses blessures personnelles ou endommager le laser.

Utilisation du laser sur la fixation murale (Fig. E)

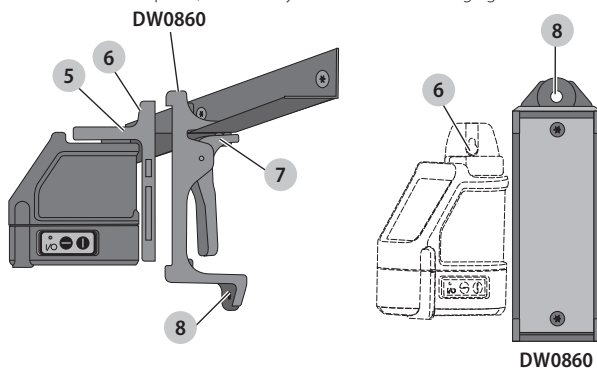
La fixation murale du laser DW0860 offre plus d'options d'installation pour les lasers DW088. La fixation murale est munie d'une pince **7** à l'un de ses bouts qui peut s'accrocher sur l'angle d'un mur pour l'installation d'un plafond acoustique. À l'autre bout de la fixation murale, il y a un œillet **8**, qui permet d'accrocher la fixation murale sur n'importe quelle surface à l'aide d'un clou ou d'une vis.

Une fois la fixation murale en place, sa base d'acier fournit une surface sur laquelle le support pivotant peut être rattaché. La position du laser peut alors être ajustée en faisant glisser le support pivotant de haut en bas sur la fixation murale.

Nivelage des lasers

Tant que les lasers ont correctement étalonnés, ils présentent un nivellement automatique. Chaque laser est étalonné à l'usine pour trouver l'aplomb tant qu'il est posé sur une surface plane, dans un rayon de $\pm 4^\circ$. Aucun réglage manuel n'est nécessaire.

Fig. E



ENTRETIEN

- Pour maintenir la précision de votre travail, vérifier souvent le laser pour s'assurer qu'il est correctement étalonné. Se reporter à la section **Vérification de l'étalonnage**.
- L'étalonnage et toute autre réparation d'entretien peuvent être fait par les centres de service DEWALT.
- Après utilisation, ranger le laser dans la mallette fournie à cet effet. Ne pas l'entreposer à des températures inférieures à -20°C (-5°F) ou supérieures à 60°C (140°F).
- Ne pas ranger le laser dans sa mallette s'il est humide. Le sécher tout d'abord avec un linge sec et doux.

Nettoyage

Les parties externes plastifiées peuvent être nettoyées à l'aide d'un linge humide. Bien que ces parties soient résistantes aux solvants, NE JAMAIS utiliser de solvants. Utiliser un linge sec et doux pour éliminer toute condensation sur l'appareil avant de le ranger.

Field Calibration Check

Checking Accuracy – Horizontal Beam, Scan Direction (Fig. F)

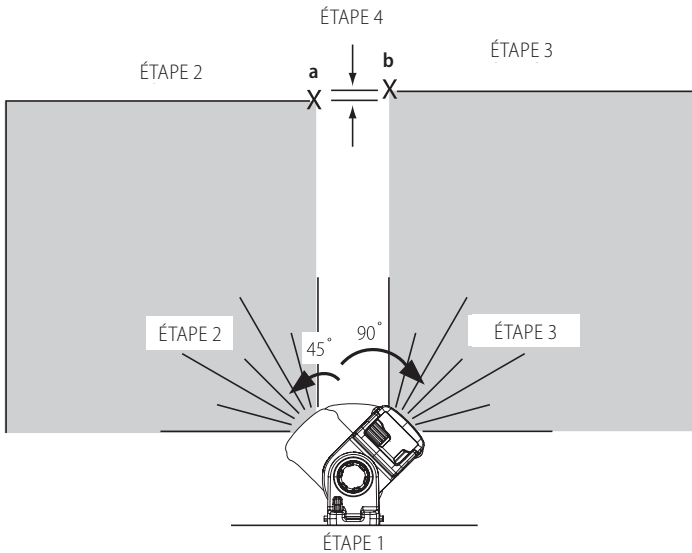
Checking the horizontal scan calibration of the laser requires two walls at least 30' (9 m) apart. It is important to conduct a calibration check using a distance no shorter than the distance of the applications for which the tool will be used.

1. Attach the laser to a wall using its pivot bracket. Make sure the laser is facing straight ahead.
 2. Turn on the laser's horizontal beam and pivot the laser approximately 45° so that the right-most end of the laser line is striking the opposing wall at a distance of at least 30' (9 m). Mark the center of the beam (a).
 3. Pivot the laser approximately 90° to bring the left-most end of the laser line around to the mark made in Step 2. Mark the center of the beam (b).
 4. Measure the vertical distance between the marks.
- If the measurement is greater than the values shown below, the laser must be serviced at an authorized service center.

Distance entre les murs	Distance autorisée entre Ⓐ et Ⓑ
30'	1/8"
40'	5/32"
50'	7/32"

Distance entre les murs	Distance autorisée entre Ⓐ et Ⓑ
9.0 m	3.1 mm
12.0 m	4.2 mm
15.0 m	5.2 mm

Fig. F



Contrôle de précision - faisceau horizontal, direction d'inclinaison (Fig. G)

Le contrôle de calibrage horizontal de l'inclinaison du laser nécessite un mur d'au moins 9 m (30') de longueur. Il importe d'effectuer le contrôle de calibrage en utilisant une distance qui n'est pas inférieure à la distance des applications pour lesquelles l'outil sera utilisé.

1. Fixez le laser à une extrémité du mur en utilisant son support pivotant.
2. Allumez le faisceau horizontal du laser et faites-le pivoter vers le côté opposé du mur et approximativement parallèle au mur adjacent.
3. Marquez le centre du faisceau à deux emplacements (a, b) éloignés d'au moins 9 m (30').
4. Repositionnez le laser sur le côté opposé du mur.
5. Allumez le faisceau horizontal du laser et faites-le pivoter pour revenir vers la première extrémité du mur et approximativement parallèle au mur adjacent.
6. Réglez la hauteur du laser de sorte que le centre du faisceau soit aligné avec le repère le plus proche (b).
7. Marquez le centre du faisceau (c) directement au-dessus ou au-dessous du repère le plus éloigné (a).

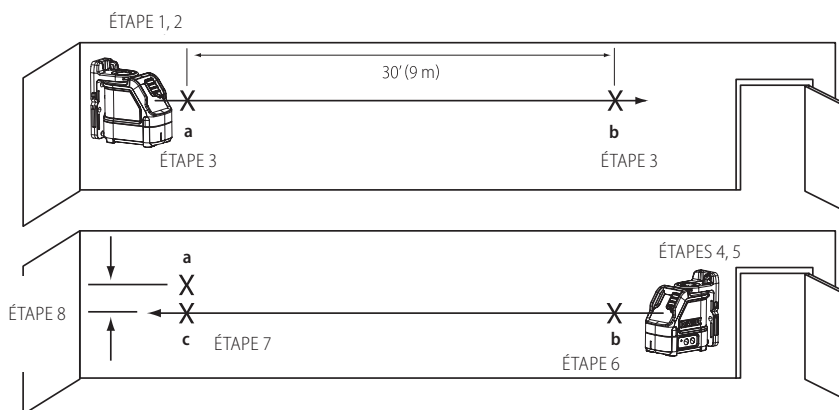
Distance entre les murs	Distance autorisée entre Ⓐ et Ⓒ
30'	1/4"
40'	5/16"
50'	13/32"

Distance entre les murs	Distance autorisée entre Ⓐ et Ⓒ
9.0 m	6.2 mm
12.0 m	8.3 mm
15.0 m	10.4 mm

8. Mesurez la distance entre ces deux repères (a, c).

- Si la mesure est supérieure aux valeurs indiquées ci-dessous, le laser doit être réparé dans un centre de service agréé.

Fig. G



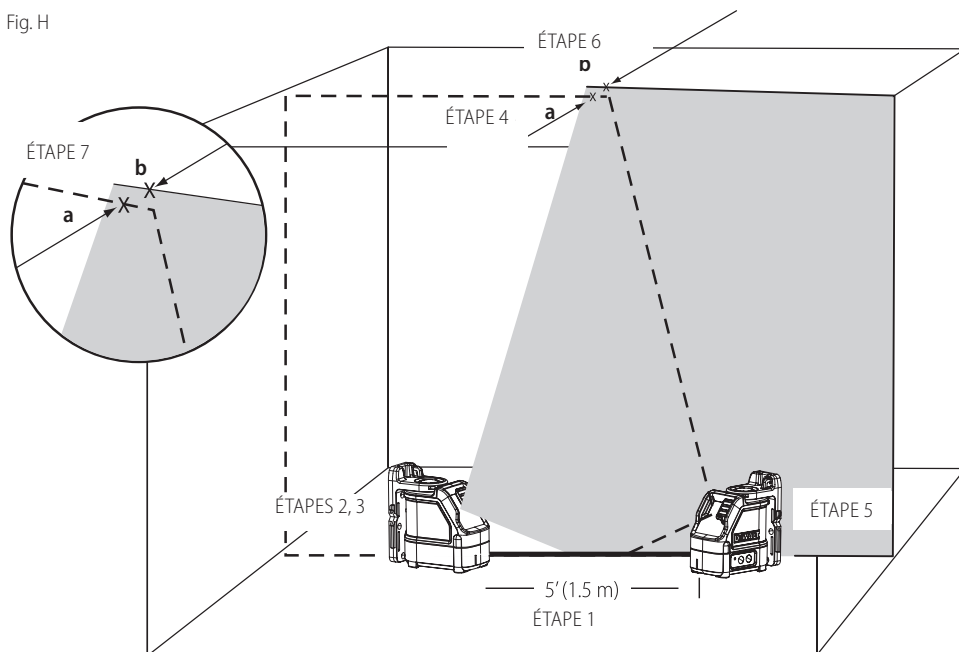
Contrôle de précision - faisceau vertical (Fig. H)

La méthode la plus précise pour contrôler le calibrage vertical (aplomb) du laser nécessite une hauteur verticale importante, idéalement 9 m (30'), avec une personne au sol positionnant le laser et une autre personne proche du plafond pour repérer la position du faisceau. Il importe d'effectuer le contrôle de calibrage en utilisant une distance qui n'est pas inférieure à la distance des applications pour lesquelles l'outil sera utilisé.

1. Commencez par marquer une ligne de 5' (1,5 m) au sol.
2. Allumez le faisceau vertical du laser et positionnez l'appareil à une extrémité de la ligne, face à elle.
3. Réglez l'appareil de sorte que son faisceau soit aligné et centré sur la ligne au sol.
4. Marquez la position du faisceau laser au plafond (a). Marquez le centre du faisceau laser directement sur le point médian de la ligne au sol.

Distance entre les murs	Distance autorisée entre Ⓐ et Ⓑ
8'	1/8"
10'	3/16"
14'	1/4"
20'	3/8"

Fig. H



FRANÇAIS

5. Repositionnez le laser à l'autre extrémité de la ligne au sol. Réglez à nouveau l'appareil de sorte que son faisceau soit aligné et centré sur la ligne au sol.
 6. Marquez la position du faisceau laser au plafond (b), directement à côté du premier repère (a).
 7. Mesurez la distance entre ces deux repères.
- Si la mesure est supérieure aux valeurs indiquées ci-dessous, le laser doit être réparé dans un centre de service agréé.

Distance entre les murs	Distance autorisée entre (a) et (b)
2.5 m	3.4 mm
3.0 m	4.2 mm
4.0 m	5.5 mm
6.0 m	8.2 mm

Guide de dépannage

Le laser ne se met pas en marche

- S'assurer que les piles sont bien installées conformément aux signes (+) et (-) sur le couvercle du boîtier.
- S'assurer que les piles fonctionnent correctement. En cas de doutes, changer les piles.
- S'assurer que les bornes sont propres et ne comportent ni rouille ni corrosion. Protéger le niveau laser de toute humidité, et n'utiliser que des piles de marque, neuves et de qualité supérieure pour réduire tout risque de fuites.
- Si l'appareil laser est chauffé à plus de 50 °C (120 °F), il ne se mettra pas en marche. Si le laser a été entreposé à des températures ambiantes extrêmement élevées, le laisser refroidir. Le niveau laser ne sera pas endommagé si on appuie sur le bouton on/off avant qu'il n'est refroidi jusqu'à la bonne température d'utilisation.

Le faisceau laser clignote (Fig. C, D)

Les lasers ont été conçus pour s'autoniveler jusqu'à un maximum de 4 ° en moyenne, en tout sens, lorsqu'ils sont positionnés comme illustré à la figure C. Si le laser est penché de telle façon que le mécanisme interne ne peut pas se niveller, son faisceau clignotera (Fig. D), la plage d'inclinaisons aura été excédée. LES FAISCEAUX CLIGNOTANTS CRÉÉS ALORS PAR LE LASER NE SONT PLUS AU NIVEAU OU D'APLOMB ET NE DOIVENT PAS ÊTRE UTILISÉS POUR DÉTERMINER OU MARQUER LE NIVEAU OU L'APLOMB. Essayer de repositionner le laser sur une surface plus plane.

Le faisceau laser n'arrête pas de bouger

Les lasers sont des instruments de précision. Aussi, si le laser n'est pas posé sur une surface stable (et immobile), il continuera d'essayer de trouver l'aplomb. Si le faisceau laser n'arrête pas de bouger, essayer de poser l'appareil sur une surface plus stable. S'assurer aussi que la surface est relativement plane pour que le laser soit stable.

Entretien et réparations

REMARQUE : le fait de démonter le niveau laser annule toute garantie sur le produit.

Pour assurer la SÉCURITÉ et la FIABILITÉ de ce produit, toutes les opérations de réparation, d'entretien et de réglage doivent être effectuées dans un centre de service autorisé. Tout entretien ou maintenance effectué par une personne non qualifiée pose des risques de blessure. Pour trouver le centre de service DEWALT le plus proche, appeler le 1 800-433-9258 (1-800-4-DEWALT) ou se rendre sur le site Internet <http://www.DEWALT.com>.

Garantie

Accédez à www.DEWALT.com pour les dernières informations sur la garantie.

CARACTÉRISTIQUES TECHNIQUES	DW088 / DW088K	DW088CG
Longueur d'onde du laser	Visible de 630–680 nm	Visible de 510–530 nm
Puissance du laser	APPAREIL LASER DE CLASSE II, <1,3 mW (par faisceau)	
Portée de fonctionnement	15 m (50') 50 m (165') avec détecteur (vendu séparément)	30 m (100') 100 m (330') avec détecteur (vendu séparément)
Précision (niveau)	±3.1 mm par 9 m (± 1/8 po par 30 pi)	
Voyants	Voyant clignotant : pile faible Laser clignotant : plage d'inclinaison excédée	
Source de courant	3x AA taille (LR6) piles alcalines (4.5V DC)	
Température de fonctionnement	-10 °C à 50 °C (14 °F à 122 °F)	
Température de rangement	-20 °C à 60 °C (-5 °F à 140 °F)	
Environnement	Résistance à l'eau et à la poussière IP54	
Détecteur	DW0892	DW0892G
Altitude	< 2000 m (6500')	
Humidité	Humidité relative maximum de 80% à des températures jusqu'à 31 °C (88 °F) diminuant de façon linéaire jusqu'à 50% d'humidité relative à 50 °C (122°F)	

Si tiene alguna duda o algún comentario sobre ésta u otra herramienta DEWALT, llámenos al número gratuito: 1-800-4-DEWALT (1-800-433-9258).

Instrucciones importantes de seguridad para láseres



¡ADVERTENCIA! Lea todas las instrucciones hasta comprenderlas. No ajustarse a las instrucciones siguientes puede ser causa de choque eléctrico, incendio o lesiones corporales graves.

CONSERVE ESTAS INSTRUCCIONES



ADVERTENCIA! Exposición a radiación láser. No desarme ni modifique el nivel láser. No contiene piezas que el usuario pueda reparar. Podría resultar en una lesión grave a los ojos.



ADVERTENCIA: Radiación peligrosa. El uso de controles o ajustes o la ejecución de procedimientos diferentes a los aquí especificados, pueden resultar en una exposición peligrosa a radiación.

- **No opere el láser en ambientes explosivos, tales como en presencia de líquidos, gases o polvos inflamables.** Las herramientas eléctricas producen chispas que pueden originar la ignición del polvo o los vapores.
- **Sólo utilice las pilas específicamente designadas para el láser.** El uso de cualquier otro tipo de pila puede crear un riesgo de incendio.
- **Cuando no esté en uso, almacene el láser fuera del alcance de niños y otras personas no capacitadas en su funcionamiento.** Los láseres son peligrosos en manos de personas no capacitadas.
- **Utilice sólo aquellos accesorios que hayan sido recomendados por el fabricante para su modelo.** Algunos accesorios pueden ser apropiados para un modelo de láser pero pueden crear un riesgo de lesión cuando se utilizan con otro modelo.
- **El servicio a la herramienta sólo debe realizarlo personal calificado.** El servicio o mantenimiento realizados por personal no calificado puede dar como resultado un riesgo de lesiones. Para ubicar su centro de servicio DEWALT más cercano, llame al 1-800-4-DEWALT (1-800-433-9258) o vaya a <http://www.DEWALT.com> en la Internet.
- **No utilice herramientas ópticas tales como telescopios o niveles topográficos para ver el rayo láser.** Esto podría resultar en graves lesiones oculares.
- **No sitúe el láser en una posición que pudiera resultar, ya sea intencionadamente o sin querer, en que alguien mire directamente el rayo láser.** Esto podría resultar en graves lesiones oculares.
- **Apague el láser cuando no esté en uso.** Si lo deja encendido, aumentará el riesgo de que alguien mire directamente al rayo láser.
- **No desarme la herramienta láser.** No contiene piezas que el usuario pueda reparar.
- **Nunca modifique el láser.** La modificación de la herramienta podría resultar en una exposición peligrosa a radiación láser.
- **No opere el láser en la presencia de niños ni permita que niños operen el láser.** Esto podría resultar en graves lesiones oculares.
- **No quite ni escriba sobre las etiquetas de advertencia.** El hacer esto aumenta el riesgo de exposición a radiación.
- **Ponga el láser en un lugar seguro.** Si el láser se cayera, podría dañarse o causar lesiones graves



ADVERTENCIA: Algunas partículas de polvo generadas al lijar, serrar, esmerilar y taladrar con herramientas eléctricas, así como al realizar otras actividades de construcción, contienen químicos que el Estado de California sabe que pueden producir cáncer, defectos congénitos u otras afecciones reproductivas. Ejemplos de estos químicos son:

- plomo de algunas pinturas en base a plomo,
- polvo de sílice proveniente de ladrillos y cemento y otros productos de albañilería, y
- arsénico y cromo provenientes de madera tratada químicamente.

Su riesgo de exposición a estos químicos varía, dependiendo de la frecuencia con la cual realiza usted este tipo de trabajo. Para reducir su exposición a estas sustancias químicas: trabaje en una zona bien ventilada y llevando equipos de seguridad aprobados, como mascarillas antipolvo especialmente diseñadas para filtrar partículas microscópicas.

- **Evite el contacto prolongado con polvo generado por el lijado, aserrado, pulido, taladrado y otras actividades de construcción. Vista ropas protectoras y lave las áreas de la piel expuestas con agua y jabón.** Si permite que el polvo se introduzca en la boca u ojos o quede sobre la piel, puede favorecer la absorción de productos químicos peligrosos.



ADVERTENCIA: La utilización de esta herramienta puede generar polvo o dispersarlo, lo que podría causar daños graves y permanentes al sistema respiratorio, así como otras lesiones. Siempre use protección respiratoria aprobada por NIOSH (Instituto Nacional de Seguridad y Salud en el Trabajo) u OSHA (Administración de Seguridad y Salud en el Trabajo) apropiada para la exposición al polvo. Dirija las partículas en dirección contraria a la cara y el cuerpo.

ESPAÑOL

- La etiqueta de su herramienta puede incluir los siguientes símbolos.

V voltios

nm Longitud de onda en nanómetros

mW milivatios

II (2) Láser Clase II (2)

 símbolo de advertencia de láser

Etiquetas de advertencia

Las siguientes etiquetas se encuentran en su láser para su conveniencia y seguridad (consulte la Fig. C).

 **ATENCIÓN: RADIACIÓN LÁSER – NO MIRE DIRECTAMENTE AL RAYO LÁSER. Producto láser Clase II.**





 **ATENCIÓN: RADIACIÓN LÁSER CLASE 2 PRESENTE. NO MIRE DIRECTAMENTE AL RAYO LÁSER CUANDO ESTÉ ABIERTO.**


DW088 **LaserChalkLine™**
LASER LINE GENERATOR

DEWALT Industrial Tool CO.
Towson, MD 21286 USA
For service information, call
1-800-4-DEWALT

DEWALT EU
Black & Decker-Strasse 40
D-65510 Idstein, Germany
UK Importer - DEWALT UK
270 Bath Rd
Slough SL1 4DX, England



SER. [REDACTED]

 **EAC**    TYPE 2 4.5V DC ...

 **CE** **UK** **CA**

Complies with 21 CFR 1040.10 and 1040.11 except for conformance with IEC 60825-1 Ed. 3., as described in Laser Notice No. 56, dated May 8, 2019

Made in China www.dewalt.com www.2helpu.com

 LASER 2 





≤1.3mW @ 630-680nm
IEC 60825-1:2014


DW088CG **LaserChalkLine™**
LASER LINE GENERATOR

DEWALT Industrial Tool CO.
Towson, MD 21286 USA
For service information, call
1-800-4-DEWALT

DEWALT EU
Black & Decker-Strasse 40
D-65510 Idstein, Germany
UK Importer - DEWALT UK
270 Bath Rd
Slough SL1 4DX, England



SER. [REDACTED]

 **EAC**    TYPE 1 4.5V DC ...

 **CE** **UK** **CA**

Complies with 21 CFR 1040.10 and 1040.11 except for conformance with IEC 60825-1 Ed. 3., as described in Laser Notice No. 56, dated May 8, 2019

Made in China www.dewalt.com www.2helpu.com

 LASER 2 

≤1.3mW @ 510-530nm
IEC 60825-1:2014

Información de Láser

Los Generadores de línea láser LaserChalkLine™ DW088 son productos láser Clase II (2) y cumplen con 21 CFR 1040.10 y 1040.11 excepto respecto a la conformidad con IEC 60825-1 Ed. 3., como se describe en el Aviso Láser No. 56, con fecha del 8 de mayo, 2019.

Introducción

Los láseres son herramientas láser de autonivelación que pueden ser utilizados al interior y al exterior para proyectos que requieran alineación horizontal (nivel) y vertical.

Normas generales de seguridad para las herramientas que funcionan con pilas

 **¡ADVERTENCIA! Lea todas las instrucciones hasta comprenderlas. No ajustarse a las instrucciones siguientes puede ser causa de choque eléctrico, incendio o lesiones corporales graves.**

ÁREA DE TRABAJO

- **Mantenga el área de trabajo limpia y bien iluminada.** Las bancadas desordenadas y las zonas oscuras propician los accidentes.
- **No opere herramientas eléctricas en atmósferas explosivas, como en presencia de líquidos, gases o polvos inflamables.** Las herramientas eléctricas producen chispas que pueden originar la ignición del polvo o los vapores.

- **Mientras opere una herramienta eléctrica, mantenga lejos a los observadores, niños y visitantes.** Las distracciones pueden ocasionar que pierda el control.

SEGURIDAD ELÉCTRICA

- **Las herramientas que operan con pilas se deben utilizar sólo con las pilas específicamente diseñadas para la herramienta.** La utilización de otras pilas comporta riesgo de incendio.

Pilas

Esta herramienta funciona con tres pilas AA de 1,5V.

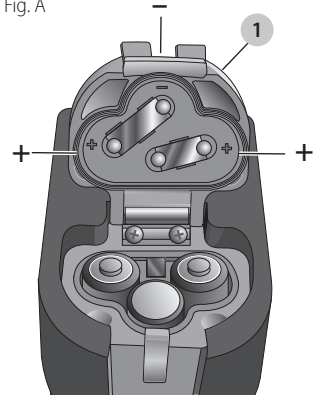
Para instalar las pilas:

1. Levante la tapa del compartimento de pilas 1, como lo muestra la Figura A.
2. Inserte tres pilas AA nuevas en el compartimento, verificando que los terminales (+) y (-) de las pilas estén en la posición indicada en el interior de la tapa del compartimento.

⚠️ ADVERTENCIA: Las pilas pueden explotar o tener fugas y pueden causar lesiones o incendios. Para reducir el riesgo:

- Siga bien todas las instrucciones y advertencias en la etiqueta y el paquete de la pila.
- Fijese siempre que las pilas vayan insertadas en la dirección correcta de polaridad (+ y -), como aparece marcado en la pila y el equipo.
- No haga cortocircuito con los terminales de la pila.
- No cargue las pilas.
- No mezcle pilas viejas con pilas nuevas. Cámbielas todas al mismo tiempo por pilas nuevas de la misma marca y tipo.
- Si las pilas se gastan completamente, retírelas de inmediato y disponga de ellas de acuerdo a los códigos locales.
- No queme las pilas.
- Mantenga las pilas fuera del alcance de niños.
- Quite la pila si no utilizará el dispositivo por varios meses.

Fig. A



SEGURIDAD PERSONAL

- **Al utilizar una herramienta eléctrica, esté atento, concéntrese en lo que hace y aplique el sentido común. No utilice la herramienta si se encuentra fatigado o bajo la influencia de drogas, alcohol o fármacos.** Mientras se utilizan herramientas eléctricas, basta un instante de distracción para sufrir lesiones graves.
- **No se sobreexienda. Manténgase siempre bien apoyado y equilibrado.** Un buen apoyo y equilibrio permiten controlar mejor la herramienta si se produce algún imprevisto.
- **Utilice el equipo de seguridad. Lleve siempre lentes protectores.** Cuando sea adecuado, también se debe usar mascarilla antipolvo, zapatos de suela antideslizante, casco o protectores auditivos.

USO Y CUIDADO DE LA HERRAMIENTA

- **No utilice la herramienta si el interruptor no la enciende y apaga.** Cualquier herramienta que no pueda controlarse con el interruptor es peligrosa y se debe reparar.
- **Cuando no las utilice, guarde las herramientas fuera del alcance de los niños o de cualquier persona no capacitada.** Las herramientas son peligrosas en manos de usuarios no capacitados.
- **Utilice únicamente los accesorios recomendados por el fabricante para su modelo.** Un mismo accesorio puede ser adecuado para una herramienta, pero peligroso si se usa en otra.

SERVICIO

- **El servicio a la herramienta sólo debe realizarlo personal calificado.** El servicio o mantenimiento realizados por personal no calificado puede dar como resultado un riesgo de lesiones.
- **Al proceder al mantenimiento de una herramienta, utilice únicamente refacciones idénticas.** Siga las instrucciones de la sección "Mantenimiento" de este manual. La utilización de piezas no autorizadas o el no respetar las instrucciones de mantenimiento, puede suponer un peligro de choque eléctrico o lesiones.

Para ubicar su centro de servicio DEWALT más cercano, llame al 1-800-4-DEWALT (1-800-433-9258) o vaya a <http://www.DEWALT.com> en la Internet.

Consejos de operación

- Para obtener los mejores resultados, utilice solamente pilas nuevas de alta calidad y de marca conocida.
- Compruebe que las pilas estén en buenas condiciones de funcionamiento. Si el indicador de pila baja parpadea, deberá cambiar las pilas.
- Para prolongar la vida útil de las pilas, apague el láser cuando no lo esté usando o marcando con la ayuda del rayo.
- Para asegurar la precisión de su trabajo, compruebe con frecuencia el calibrado del láser. Refiérase a **Control de calibrado en el campo**.
- Antes de intentar utilizar el láser, asegúrese que esté dispuesto en forma segura, sobre una superficie plana y lisa.
- Marque siempre el centro del punto o patrón creado por el láser.
- Los cambios bruscos de temperatura pueden hacer que se muevan ciertas piezas internas que afectan el nivel de precisión. Compruebe con frecuencia el nivel de precisión mientras trabaja. Refiérase a **Control de calibrado en el campo**.
- Si el láser ha caído al suelo, compruebe que esté aún calibrado. Refiérase a **Control de calibrado en el campo**.

Indicador de pila baja

Los láseres vienen con una luz de indicador roja **2**, como lo muestra la Figura B. Las luces rojas del indicador se ubican a la izquierda de los botones de encendido y apagado (**3**, **4**).

Cuando la luz roja del indicador está destellando, esto significa que las pilas están bajas y que deben ser cambiadas. El láser puede seguir funcionando durante un período corto de tiempo mientras las pilas se siguen agotando, pero el (los) rayo(s) se hará(n) tenue(s) rápidamente. Luego de instalar pilas nuevas y volver a encender el láser, el (los) rayo(s) láser volverán a tener la misma intensidad de antes y la luz roja del indicador se mantendrá apagada. (Si el rayo láser destella, esto no significa que las pilas estén bajas; refiérase a **Indicador de rango de inclinación**.)

OPERACIÓN

Para encender y apagar los láseres (Fig. B)

Ponga el láser apagado sobre una superficie plana. Este modelo tiene dos botones de encendido y apagado: uno para la línea láser horizontal **3** y el otro para la línea láser vertical **4**. Cada línea láser se enciende presionando su botón de encendido y apagado. Las líneas láser pueden encenderse una por vez o las dos al mismo tiempo. Si presiona los botones de encendido y apagado otra vez, apagará las líneas láser.

Cómo utilizar los láseres

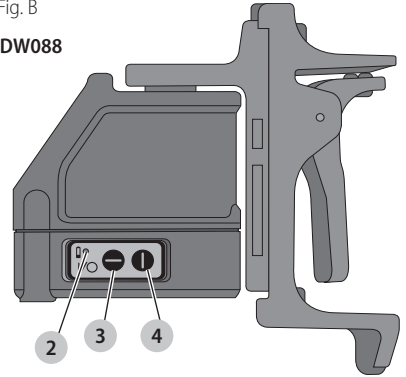
Si la herramienta está calibrada y el rayo láser no está destellando (refiérase a **Indicador de rango de inclinación**), los rayos estarán a nivel o plomada (refiérase a **Control de calibrado en el campo**).

Indicador de rango de inclinación (Fig. C, D)

Los láseres están diseñados para auto-nivelarse. Si el láser ha sido inclinado de tal manera que no puede nivelarse (inclinación promedio $> 4^\circ$), el rayo láser destellará (Fig. D). Si el rayo láser destella, significa que el rango de inclinación ha sido sobrepasado y que **NO ESTÁ A NIVEL (O PLOMADA) Y QUE NO DEBERÍA SER UTILIZADO PARA DETERMINAR O MARCAR NIVEL (O PLOMADA)**. Intente volver a colocar el láser sobre una superficie más pareja.

Fig. B

DW088



2 3 4

Fig. C

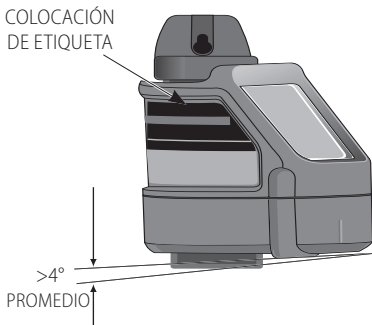
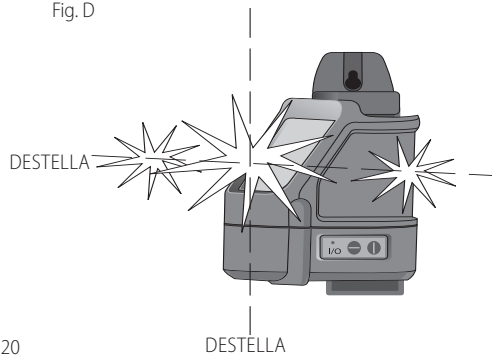


Fig. D



Cómo utilizar los láseres con accesorios

Los láseres vienen con un hilo hembra en la parte inferior de la unidad de 1/4 pulg x 20 hilos. El hilo sirve para instalar accesorios DEWALT actuales o futuros. Use sólo accesorios DEWALT especificados para ser usados con este producto. Siga las indicaciones proporcionadas con el accesorio.



ATENCIÓN: La utilización de cualquier accesorio no recomendado para esta herra-mienta puede ser peligrosa.

Si necesita ayuda para ubicar cualquier accesorio, por favor póngase en contacto con DEWALT Industrial Tool Co., 701 East Joppa Road, Towson, MD 21286 o llame al 1-800-4- DEWALT (1-800-433-9258). Consulte nuestro catálogo en la Internet: www.DEWALT.com.

Cómo utilizar el soporte de pivote (Fig. E)

Los láseres tienen un soporte de pivote magnético **5** permanentemente fijo a las unidades. Este soporte permite que la unidad sea montada a cualquier superficie recta de acero o hierro. Ejemplos comunes de superficies adecuadas incluyen pies derechos estructurales de acero, marcos de puertas de acero y vigas estructurales de acero. El soporte también tiene una ranura con forma de ojo de cerradura **6** que permite que la unidad sea colgada de un clavo o tornillo en cualquier superficie. Coloque el láser y/o el soporte para montaje sobre pared sobre una superficie estable. Se pueden provocar lesiones personales o daños serios al láser si éste se cae.

Cómo utilizar el láser con el soporte de pared (Fig. E)

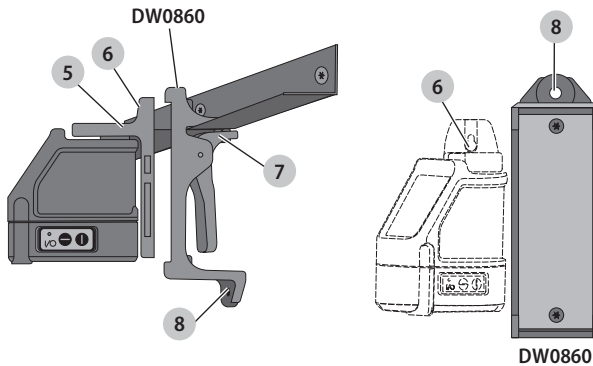
El soporte de pared para el láser DW0860 ofrece más opciones de montaje para los láseres DW088. El soporte de pared tiene una abrazadera **7** en un extremo, la cual puede fijarse a un ángulo de la pared para instalarlo a un techo acústico. El otro extremo del soporte de pared hay un orificio para insertar un tornillo **8**, el cual permite que el soporte de pared sea fijado a cualquier superficie con un clavo o tornillo.

Una vez que el soporte de pared sea instalado, su placa de acero proporciona una superficie a la cual se puede fijar el soporte de pivote magnético. La posición del láser puede luego ser afinada deslizando el soporte de pivote hacia arriba o hacia abajo en el soporte de pared.

Nivelación de los láseres

Mientras los láseres DW088 sean debidamente calibrados, los láseres serán autonivelantes. Cada láser viene calibrado de fábrica para poder encontrar la nivelación, siempre que sea colocado sobre una superficie plana dentro de un $\pm 4^\circ$ de nivel promedio. No se deben hacer ajustes manuales.

Fig. E



MANTENIMIENTO

- Para mantener la precisión de su trabajo, revise el láser con frecuencia para asegurarse que esté debidamente calibrado. Refiérase a **Control de calibrado en el campo**.
- Los centros de servicio DEWALT pueden hacer controles de calibrado y otras reparaciones de mantenimiento.
- Guarde el láser en la caja proporcionada cuando no esté en uso. No guarde el láser a temperaturas menores que -5°F (-20°C) o mayores que 140°F (60°C).
- No guarde el láser en su caja si está mojado. Seque primero el láser con un paño seco y suave.

LIMPIEZA

Las piezas exteriores de plástico se pueden limpiar con un paño húmedo. Aunque estas piezas son resistentes a solventes, NUNCA use solventes. Use un paño seco y suave para eliminar la humedad de la herramienta antes de guardarla.

Verificación de calibración de campo

Verificación de precisión - Rayo horizontal, dirección de escaneo (Fig. F)

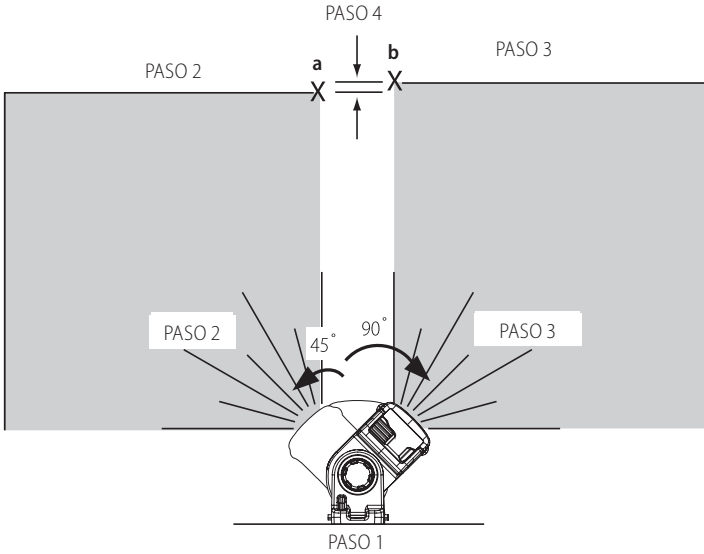
La verificación de la calibración de escaneo horizontal del láser requiere dos paredes separadas por lo menos a 9 m (30'). Es importante realizar una verificación de calibración utilizando una distancia no menor que la distancia de las aplicaciones para las que se utilizará la herramienta.

1. Fije el láser a una pared usando su soporte de pivote. Asegúrese que el láser esté orientado hacia adelante.
 2. Encienda el rayo horizontal del láser y gire el láser aproximadamente 45° de modo que el extremo más a la derecha de la línea láser dé en la pared opuesta a una distancia de por lo menos 9 m (30'). Marque el centro del rayo (a).
 3. Gire el láser aproximadamente 90° para llevar el extremo más a la izquierda de la línea láser hasta la marca realizada en el paso 2. Marque el centro del rayo (b).
 4. Mida la distancia vertical entre las marcas.
- Si la medición es mayor que los valores que se muestran a continuación, el láser debe recibir servicio en un centro de servicio autorizado.

Distancia entre paredes	Distancia permitida entre ⓐ y ⓑ
30'	1/8"
40'	5/32"
50'	7/32"

Distancia entre paredes	Distancia permitida entre ⓐ y ⓑ
9.0 m	3.1 mm
12.0 m	4.2 mm
15.0 m	5.2 mm

Fig. F



Verificación de precisión - Rayo horizontal, dirección de inclinación (Fig. G)

La verificación de la calibración de inclinación horizontal del láser requiere una sola pared de por lo menos 9 m (30') de largo. Es importante realizar una verificación de calibración utilizando una distancia no menor que la distancia de las aplicaciones para las que se utilizará la herramienta.

1. Fije el láser a un extremo de una pared usando su soporte de pivote.
2. Encienda el rayo horizontal del láser y gire el láser hacia el extremo opuesto de la pared y aproximadamente paralelo a la pared adyacente.
3. Marque el centro del rayo en dos lugares (a, b) separados por lo menos a 9 m (30').
4. Vuelva a colocar el láser en el extremo opuesto de la pared.
5. Encienda el rayo horizontal del láser y gire el láser hacia atrás al primer extremo de la pared y aproximadamente paralelo a la pared adyacente.
6. Ajuste la altura del láser para que el centro del rayo esté alineado con la marca más cercana (b).
7. Marque el centro del rayo (c) directamente arriba o debajo de la marca más lejana (a).

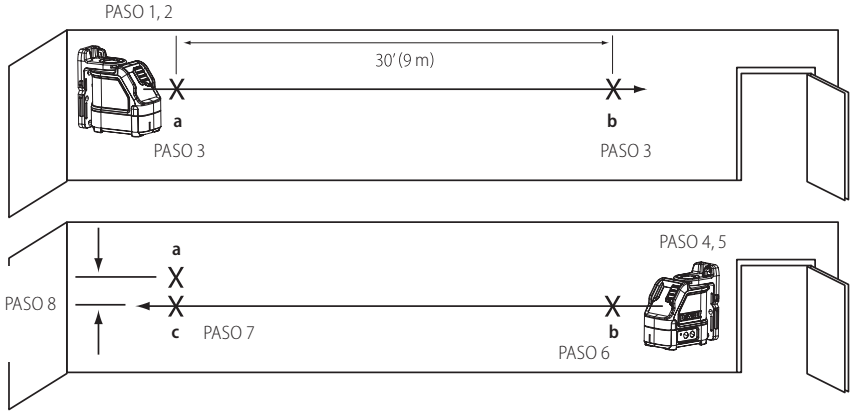
Distancia entre paredes	Distancia permitida entre ⓐ y ⓑ
30'	1/4"
40'	5/16"
50'	13/32"

Distancia entre paredes	Distancia permitida entre ⓐ y ⓑ
9.0 m	6.2 mm
12.0 m	8.3 mm
15.0 m	10.4 mm

8. Mida la distancia entre estas dos marcas (a, c).

Si la medición es mayor que los valores que se muestran a continuación, el láser debe recibir servicio en un centro de servicio autorizado.

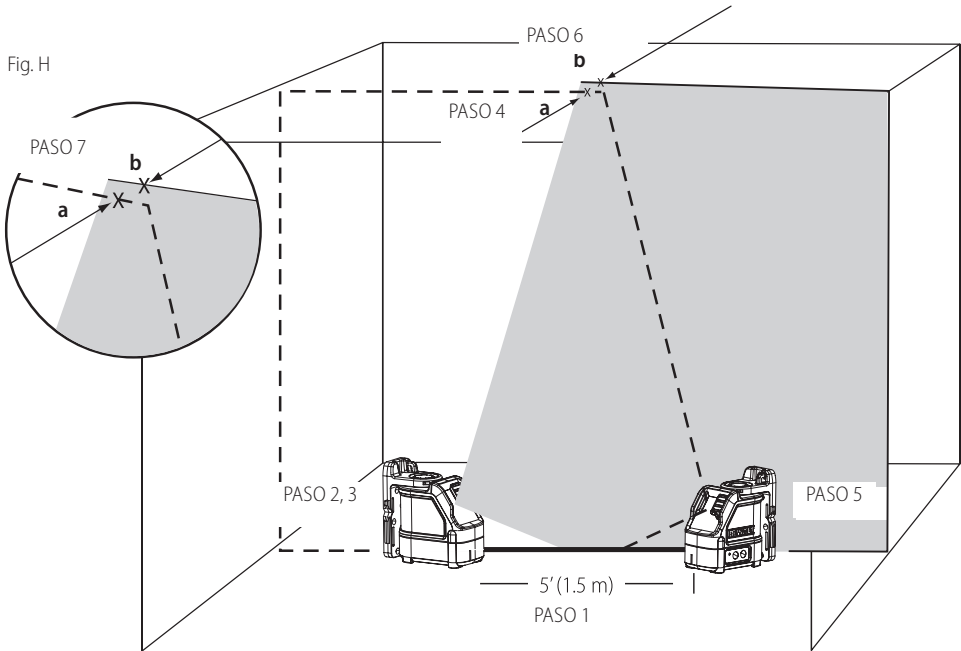
Fig. G



Verificación de precisión - Rayo vertical (Fig. H)

La verificación de la calibración vertical (plomada) del láser se puede realizar con mayor precisión cuando hay una cantidad sustancial de altura vertical disponible, idealmente 20' (6 m), con una persona en el piso colocando el láser y otra cerca del techo para marcar la posición del rayo. Es importante realizar una verificación de calibración utilizando una distancia no menor que la distancia de las aplicaciones para las que se utilizará la herramienta.

Fig. H



1. Empiece marcando una línea de 5' (1.5 m) en el suelo.
2. Encienda el rayo vertical del láser y coloque la unidad en un extremo de la línea, mirando hacia la línea.
3. Ajuste la unidad de modo que su rayo esté alineado y centrado en la línea del piso.
4. Marque la posición del rayo láser en el techo (a). Marque el centro del rayo láser directamente sobre el punto medio de la línea en el piso.

ESPAÑOL

- Vuelva a colocar el láser en el otro extremo de la línea en el suelo. Ajuste la unidad una vez más para que su rayo esté alineado y centrado en la línea del piso.
 - Marque la posición del rayo láser en el techo (b), directamente al lado de la primera marca (a).
 - Mida la distancia entre éstas dos marcas.
- Si la medición es mayor que los valores que se muestran a continuación, el láser debe recibir servicio en un centro de servicio autorizado.

Distance entre les murs	Distance autorisée entre Ⓐ et Ⓑ
8'	1/8"
10'	3/16"
14'	1/4"
20'	3/8"

Resolución de problemas

El láser no se enciende

- Asegúrese que las pilas sean instaladas verificando que los terminales (+) y (-) de las pilas estén en la posición indicada en el interior de la tapa del compartimiento.
- Compruebe que las pilas estén en buenas condiciones de funcionamiento. Si tiene dudas, pruebe instalando pilas nuevas.
- Compruebe que los contactos de las pilas estén limpios y libres de óxido o corrosión. Asegúrese de mantener el nivel láser seco y de usar sólo pilas nuevas, de alta calidad y marca conocida para reducir las posibilidades de fugas en las pilas.
- Si la unidad láser se calienta a una temperatura mayor que 120 °F (50 °C), la unidad no se encenderá. Si el láser ha estado guardado en un lugar con una temperatura ambiental demasiado alta, deje que enfríe. El nivel láser no se dañará si presiona el botón de encendido/apagado antes de enfriarse a su temperatura de funcionamiento apropiada.

Distance entre les murs	Distance autorisée entre Ⓐ et Ⓑ
2.5 m	3.4 mm
3.0 m	4.2 mm
4.0 m	5.5 mm
6.0 m	8.2 mm

Los rayos láser parpadean (Fig. C, D)

Los láseres han sido diseñados para autonivelarse en una inclinación promedio de 4° en toda dirección cuando están puestos como lo muestra la Figura C. Si el láser se inclina tanto que su mecanismo interno no puede encontrar su propio nivel, el láser destellará (Fig. D) – el rango de inclinación ha sido sobrepasado. LOS RAYOS LÁSER DESTELLANTES CREADOS POR EL LÁSER NO ESTÁN A NIVEL O PLOMADA Y NO DEBERÍAN SER UTILIZADOS PARA DETERMINAR O MARCAR NIVEL O PLOMADA. Intente volver a colocar el láser sobre una superficie más pareja.

Los rayos láser no dejan de moverse

Los láseres son instrumentos de precisión. Por esta razón, si el láser no está colocado sobre una superficie estable y firme, el láser seguirá intentando encontrar el nivel. Si el rayo no deja de moverse, pruebe colocando el láser sobre una superficie más estable. Además, trate de asegurarse que la superficie sea relativamente plana de modo que el láser esté estable.

Servicio y reparaciones

NOTA: Si desarma el nivel láser, todas las garantías del producto quedarán nulas.

Para garantizar la SEGURIDAD y FIABILIDAD del producto, toda reparación, todo mantenimiento y ajuste deberán ser realizados en los centros autorizados de servicio. El servicio o mantenimiento realizados por personal no calificado podría crear un riesgo de lesión. Para ubicar su centro de servicio DEWALT más cercano, visítenos en www.DEWALT.com o diríjase al centro de servicio más cercano.

Reparaciones

Para garantizar la SEGURIDAD y la CONFIABILIDAD, deberán hacerse reparaciones, mantenimiento y ajustes de esta herramienta en los centros autorizados de servicio DEWALT u otras organizaciones autorizadas. Estas organizaciones prestan servicio a las herramientas DEWALT y emplean siempre refacciones legítimas DEWALT.

Garantía

Vaya a www.DEWALT.com para obtener la información más reciente sobre la garantía.

ESPECIFICACIONES	DW088 / DW088K	DW088CG
Longitud de onda del láser	Visible, de 630 a 680 nm	Visible, de 510 a 530 nm
Potencia del láser	<1, 3 mW (cada rayo) PRODUCTO LÁSER DE CLASE II (2)	
Rango de funcionamiento	15 m (50') 50 m (165') con detector (se vende por separado)	30 m (100') 100 m (330') con detector (se vende por separado)
Precisión (Nivel)	±3.1 mm por cada 9 m (± 1/8" por cada 30')	
Indicadores	Indicador que parpadea: pilas bajas Láser que parpadea: rango de inclinación excedido	
Fuente de alimentación	3x AA tamaño (LR6) pilas alcalinas (4.5V DC)	
Temperatura de funcionamiento	-10 °C a 50 °C (14 °F a 122 °F)	
Temperatura de almacenamiento	-20 °C a 60 °C (-5 °F a 140 °F)	
Entorno	Resistente al agua y al polvo IP54	
Detector	DW0892	DW0892G
Altitud	< 2000 m (6500')	
Humedad	Humedad relativa máxima de 80 % para temperaturas de hasta 31 °C (88°F) disminuyendo linealmente a 50 % de humedad relativa a 50 °C (122°F)	

**Para reparación y servicio de sus herramientas eléctricas,
favor de dirigirse al
Centro de Servicio más cercano**

CULIACAN, SIN

Bldv.Emiliano Zapata 5400-1 Poniente Col. (667) 717 89 99
San Rafael

GUADALAJARA, JAL

Av. La Paz #1779 - Col. Americana Sector (33) 3825 6978
Juárez

MEXICO, D.F.

Eje Central Lázaro Cárdenas No. 18 - Local (55) 5588 9377
D, Col. Obrera

MERIDA, YUC

Calle 63 #459-A - Col. Centro (999) 928 5038

MONTERREY, N.L.

Av. Francisco I. Madero 831 Poniente - Col. (818) 375 23 13
Centro

PUEBLA, PUE

17 Norte #205 - Col. Centro (222) 246 3714

QUERETARO, QRO

Av. San Roque 274 - Col. San Gregorio (442) 2 17 63 14

SAN LUIS POTOSI, SLP

Av. Universidad 1525 - Col. San Luis (444) 814 2383

TORREON, COAH

Bldv. Independencia, 96 Pte. - Col. Centro (871) 716 5265

VERACRUZ, VER

Prolongación Díaz Mirón #4280 - Col. (229) 921 7016
Remes

VILLAHERMOSA, TAB

Constitución 516-A - Col. Centro (993) 312 5111

PARA OTRAS LOCALIDADES:

**Si se encuentra en México, por favor llame al
(55) 5326 7100**

**Si se encuentra en U.S., por favor llame al
1-800-433-9258 (1-800 4-DEWALT)**

Póliza de Garantía

IDENTIFICACIÓN DEL PRODUCTO:

Sello o firma del Distribuidor.

Nombre del producto: _____

Mod./Cat.: _____

Marca: _____

Núm. de serie: _____

(Datos para ser llenados por el distribuidor)

Fecha de compra y/o entrega del producto:

Nombre y domicilio del distribuidor donde se adquirió el producto:

Este producto está garantizado por un año a partir de la fecha de entrega, contra cualquier defecto en su funcionamiento, así como en materiales y mano de obra empleados para su fabricación. Nuestra garantía incluye la reparación o reposición del producto y/o componentes sin cargo alguno para el cliente, incluyendo mano de obra, así como los gastos de transportación razonablemente erogados derivados del cumplimiento de este certificado.

Para hacer efectiva esta garantía deberá presentar su herramienta y esta póliza sellada por el establecimiento comercial donde se adquirió el producto, de no contar con ésta, bastará la factura de compra.

ESPAÑOL

Excepciones

Esta garantía no será válida en los siguientes casos:

- *Cuando el producto se hubiese utilizado en condiciones distintas a las normales;*
- *Cuando el producto no hubiese sido operado de acuerdo con el instructivo de uso que se acompaña;*
- *Cuando el producto hubiese sido alterado o reparado por personas distintas a las enlistadas al final de este certificado.*

Anexo encontrará una relación de sucursales de servicio de fábrica, centros de servicio autorizados y franquiciados en la República Mexicana, donde podrá hacer efectiva su garantía y adquirir partes, refacciones y accesorios originales.

ESPECIFICACIONES

DW088, DW088K, DW088CG 4,5 Volts

Solamente para propósito de México:

Importado por: DEWALT Industrial Tool Co. S.A. de C.V.

Avenida Antonio Dovali Jaime, # 70 Torre C Piso 8

Col. Santa Fé, Alvaro Obregón

Ciudad de México, México.

C.P 01210

Tel: 55 53267100

R.F.C.BDE8106261W7

Se você tem quaisquer perguntas ou comentários sobre isso ou qualquer ferramenta DEWALT, ligue para nós gratuitamente pelo telefone: 1-800-4-DEWALT (1-800-433-9258)

Instruções de Segurança para Lasers



ATENÇÃO! *Leia e entenda todas as instruções. A falha em seguir as instruções listadas abaixo pode resultar em choque elétrico, fogo e/ou ferimento graves.*

GUARDE ESTAS INSTRUÇÕES



ATENÇÃO! *Exposição à Radiação Laser. Não desmonte nem modifique o nível a laser. Não existem peças reparáveis pelo usuário no interior. Podem resultar graves danos aos olhos.*



ATENÇÃO: *Radiação perigosa. Uso dos controles, ajustes e execução dos procedimentos diferentes do especificado aqui pode resultar em exposição perigosa à radiação laser.*

- **Não opere o laser em atmosferas explosivas, como em presença de líquidos, gases ou poeiras inflamáveis.** As ferramentas elétricas produzem faíscas que podem provocar a ignição de poeiras ou gases.
- **Use o laser apenas com as baterias especificamente projetadas.** O uso de qualquer outra bateria pode criar um risco de incêndio.
- **Quando não estiver sendo usado, armazene o laser fora do alcance de crianças ou de pessoas não treinadas.** Os lasers são perigosos nas mãos de pessoas não treinadas.
- **Use apenas acessórios que tenham sido recomendados pelo fabricante do seu modelo.** Os acessórios que forem adequados para um laser podem criar risco de ferimentos quando usados em outro laser.
- **A manutenção da ferramenta deve ser feita apenas por pessoal de serviço qualificado.** O serviço ou a manutenção da ferramenta feita por pessoal não qualificado pode resultar em ferimentos. Para localizar o centro de serviço autorizado DEWALT mais próximo ligue para 1-800-4-DEWALT (1-800-433-9258) ou visite www.DEWALT.com na Internet.
- **Não use ferramentas óticas como um telescópio, nem passe na frente para ver dentro do feixe laser.** Podem resultar graves danos aos olhos.
- **Não coloque o laser em uma posição que possa fazer com que alguém olhe, intencionalmente ou não, para dentro do feixe laser.** Podem resultar graves danos aos olhos.
- **Desligue o laser quando não estiver em uso.** Deixar o laser ligado aumenta o risco de alguém olhar na direção do feixe do laser.
- **Não desmonte a ferramenta laser.** Não existem peças reparáveis pelo usuário no interior.
- **Não modifique o laser de nenhuma maneira.** Modificar o laser pode resultar em Exposição Perigosa à Radiação Laser.
- **Não opere o laser perto de crianças ou permita que elas o operem.** Podem resultar graves danos aos olhos.
- **Não remova ou danifique as etiquetas de advertência.** Remover as etiquetas aumenta o risco de exposição à radiação.
- **Coloque o laser com segurança em uma superfície nivelada.** Ferimentos graves ou danos ao laser podem resultar caso o laser caia.



ATENÇÃO: *Alguma poeira criada por lixamento à máquina, serragem, esmerilhamento, furação e de outras atividades de construção, contém produtos químicos reconhecidos pelo Estado da Califórnia por causar câncer, defeitos congênitos e outros danos reprodutivos. Alguns exemplos destes produtos químicos são:*

- chumbo das tintas à base de chumbo,
- Sílica cristalina dos tijolos, do cimento e de outros produtos de alvenaria e
- arsênico e cromo de madeira quimicamente tratada (CCA).

Seu risco a essas exposições varia, dependendo de como ou com que frequência você faz esse tipo de trabalho. Para reduzir sua exposição a estes produtos químicos: trabalhe em uma área bem ventilada, e use equipamentos de proteção individual como as máscaras contra poeira especialmente projetada para

filtrar partículas microscópicas.

- **Evite o contato prolongado com a poeira proveniente de lixamento à máquina, serragem, esmerilhamento, furação e de outras atividade de construção. Use roupas de proteção e lave as áreas expostas com água e sabão.** Permitir a entrada de poeira em sua boca, olhos ou ficar sobre a pele pode favorecer a absorção de materiais químicos perigosos.



ATENÇÃO: *O uso desta ferramenta pode gerar e/ou dispersar a poeira que pode causar lesão respiratória grave e permanente ou de outros tipos. Sempre use proteção respiratória aprovada pela NIOSH/OSHA para a exposição a poeira. Direcione as partículas para longe do rosto e do corpo.*

PORTUGUÊS

- A etiqueta na sua ferramenta pode conter os seguintes símbolos.

V volts

nm comprimento de onda em nanómetros

mW milliwatts

II (2) Laser Classe II (2)

 símbolo de advertência de laser

Etiquetas de Advertência

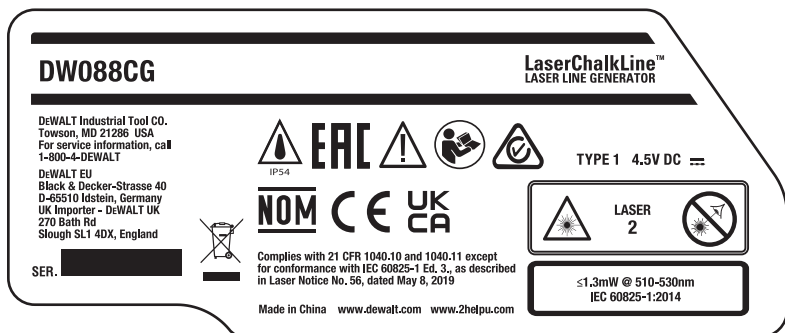
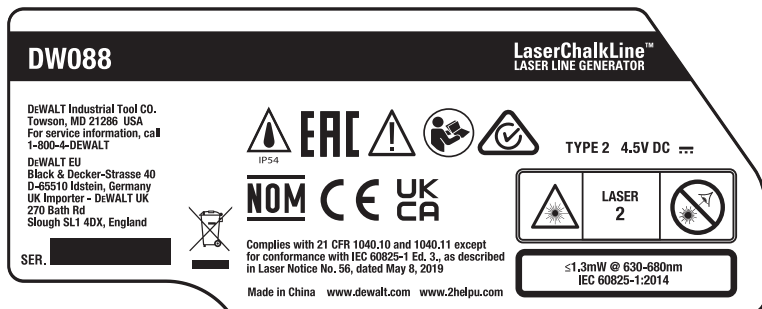
Para sua conveniência e segurança, as seguintes etiquetas estão no laser (consulte a Fig. C).



CUIDADO: RADIAÇÃO LASER - NÃO OLHE DIRETAMENTE PARA O FEIXE DO LASER. PRODUTO LASER CLASSE II.



CUIDADO: RADIAÇÃO LASER CLASSE 2 QUANDO ABERTO NÃO OLHE DIRETAMENTE PARA O FEIXE.



Informações do laser

Os Geradores de linha de laser DW088 LaserChalkLine™ são produtos de laser Classe II (2) e cumprem o 21 CFR 1040.10 e 1040.11 exceto para conformidade com o IEC 60825-1 Ed. 3., como descrito na Nota de Laser N° 56, de 8 de maio de 2019.

Introdução

Os laser DW088 LaserChalkLine™ são ferramentas laser que podem ser usadas em exteriores e interiores para projetos de alinhamento horizontal (nível), vertical e prumo.

Regras Gerais de Segurança para Ferramentas Operadas a Bateria



ATENÇÃO! Leia e entenda todas as instruções. A falha em seguir as instruções listadas abaixo pode resultar em choque elétrico, fogo e/ou ferimento graves.

ÁREA DE TRABALHO

- Mantenha sua área de trabalho limpa e bem iluminada. Bancadas desorganizadas e áreas mal iluminadas são um convite a acidentes.
- Não opere ferramentas laser em atmosferas explosivas, como em presença de líquidos, gases ou poeiras inflamáveis. As ferramentas elétricas produzem faíscas que podem provocar a ignição de poeiras ou gases.

- **Mantenha os observadores, crianças e visitantes afastados enquanto opera uma ferramenta laser.** As distrações podem fazer com que você perca o controle.

SEGURANÇA ELÉTRICA

- **Use as ferramentas à bateria apenas com as baterias especificamente projetadas.** O uso de qualquer outra bateria pode criar um risco de incêndio.

Bateria

Esta ferramenta é alimentada por três baterias 1,5V AA.

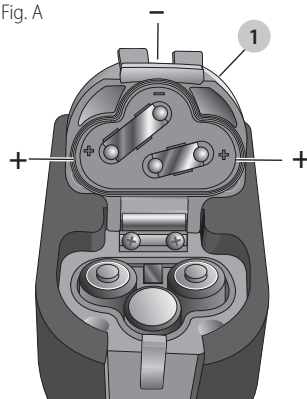
Para instalar as baterias.

1. Levante a tampa do compartimento das baterias ❶ como mostrado na Figura A.
2. Insira três baterias AA novas no compartimento, instalando as baterias de acordo com as indicações (+) e (-) no interior da tampa das baterias.

⚠ ATENÇÃO: As baterias podem explodir ou vazar e podem causar ferimentos ou fogo. Para reduzir este risco:

- Siga cuidadosamente as instruções e advertências da etiqueta e da embalagem das baterias.
- Coloque as baterias da maneira correta em relação a polaridade (+ e -), marcada na bateria e no equipamento.
- Não curto-circuito os terminais da bateria
- Não recarregue as baterias.
- Não misture baterias novas e usadas. Substitua todas ao mesmo tempo por baterias novas de mesma marca e tipo.
- Remova as baterias descarregadas e descarte-as de acordo com a legislação local.
- Não coloque as baterias no fogo.
- Mantenha as baterias longe do alcance de crianças.
- Remova as baterias se o dispositivo não for ser usado por muitos meses.

Fig. A



SEGURANÇA PESSOAL

- **Fique alerta, preste atenção no que está fazendo e use de bom senso quando operar uma ferramenta laser.** Não use quando estiver cansado ou sob influência de drogas, álcool, ou medicamentos. Um momento de desatenção enquanto opera ferramentas elétricas pode resultar em ferimentos graves.
- **Não tente alcançar pontos afastados. Mantenha sempre os pés apoiados e o equilíbrio.** O apoio dos pés e o equilíbrio permitem um melhor controle da ferramenta em situações inesperadas.
- **Use equipamentos de segurança. Use sempre proteção ocular.** Máscara contra poeira, calçados de segurança, capacete ou protetores auditivos podem ser necessários em condições apropriadas.

USO E CUIDADOS COM FERRAMENTA

- **Não use a ferramenta se o interruptor não ligá-la ou desligá-la.** Qualquer ferramenta que não possa ser controlada com o interruptor é perigosa e deve ser reparada.
- **Armazene as ferramentas sem uso fora do alcance de crianças ou de pessoas não treinadas.** As ferramentas são perigosas nas mãos de pessoas não treinadas.
- **Use apenas acessórios que tenham sido recomendados pelo fabricante do seu modelo.** Acessórios que podem ser usados em uma ferramenta, podem se tornar perigosos quando usados em outra ferramenta.

SERVIÇO

- **A manutenção da ferramenta deve ser feita apenas por pessoal de serviço qualificado.** O serviço ou a manutenção executados por pessoal não qualificado pode resultar em risco de ferimentos.
- **Quando fizer reparos numa ferramenta, use apenas peças de reposição idênticas.** Siga as instruções da seção Manutenção deste manual. O uso de peças não autorizadas e a falha em seguir as Instruções de Manutenção podem criar o risco de choque elétrico ou ferimentos.

Dicas de Operação

- Use apenas baterias de boas marcas, novas e de alta qualidade para melhores resultados.
- Assegure-se de que as baterias estejam em boas condições de trabalho. Se o indicador vermelho de bateria descarregada estiver piscando, é necessário substituir as baterias.

PORTUGUÊS

- Para estender a vida da bateria, desligue o laser quando não estiver usando ou marcando o feixe.
- Para manter a precisão do seu trabalho, verifique com frequência se o seu laser está calibrado. Ver **Verificação de Calibração de Campo**.
- Antes de tentar usar o laser, assegure-se de que esteja firmemente posicionado, em uma superfície lisa e plana.
- Sempre marque o centro do feixe criado pelo laser.
- Mudanças extremas de temperaturas podem causar o movimento de peças internas que podem afetar a precisão. Verifique sua precisão frequentemente enquanto trabalha. Ver **Verificação de Calibração de Campo**.
- Se o laser cair, verifique se o seu laser ainda está calibrado. Ver **Verificação de Calibração de Campo**.

Indicação de Bateria Descarregada (Fig. B)

Os lasers DW088 são equipados com uma luz vermelha indicadora **2**, como mostrado na Figura B. A luz indicadora vermelha está localizada à esquerda dos botões liga/desliga (**3**, **4**).

A luz indicadora vermelha piscando indica que as baterias estão descarregadas e precisam ser substituídas. O laser pode continuar a operar por um tempo curto enquanto as baterias continuam a descarregar, mas os feixes vão diminuir rapidamente o brilho. Depois que as novas baterias forem instaladas e o laser religado, os feixes vão retornar ao seu brilho normal e a luz indicadora vermelha ficará apagada. (O feixe de laser piscando não é causado por baterias descarregadas; consulte **Indicador de Inclinação Fora de Faixa**.)

OPERAÇÃO

Para Ligar e Desligar os Lasers (Fig. B)

Com o laser desligado, coloque-o em uma superfície plana. Este modelo tem dois botões de LIGA/DESLIGA, um para a linha laser horizontal **3**, um para a linha laser vertical **4**. Cada linha laser é ligada pressionando seu botão LIGA/DESLIGA. As linhas laser podem ligadas uma de cada vez ou ao mesmo tempo. Pressionar os botões de LIGA/DESLIGA novamente desliga as linhas laser.

Uso dos Lasers

Os lasers são nivelados ou no prumo se a calibração tiver sido verificada (Ver **Verificação de Calibração de Campo**) e o feixe laser não estiver piscando (Ver **Indicador de Inclinação Fora de Faixa**).

Indicador de Inclinação Fora de Faixa (Fig. C, D)

Os lasers foram projetados para se autonivelar. Se o laser tiver sido tão inclinado que não possa se autonivelar (média $>4^\circ$ de inclinação), o feixe de laser irá piscar (Fig. D). O feixe piscando indica que a faixa de inclinação foi excedida e **NÃO ESTÁ NIVELADO (OU NO PRUMO) E NÃO DEVE SER USADO PARA DETERMINAR OU MARCAR O NÍVEL (OU PRUMO)**. Tente reposicionar o laser em uma superfície mais nivelada.

Fig. C

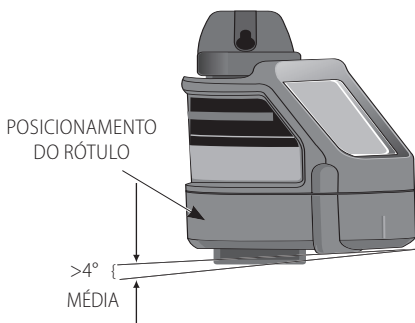


Fig. D

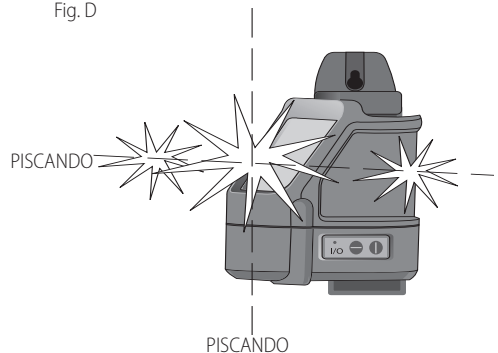


Fig. B

DW088

