

Before returning this product call

**1-800-4-DEWALT**

IF YOU SHOULD EXPERIENCE A PROBLEM WITH YOUR DEWALT PURCHASE,

**CALL 1-800-4-DEWALT**

IN MOST CASES, A DEWALT REPRESENTATIVE CAN RESOLVE  
YOUR PROBLEM OVER THE PHONE.

IF YOU HAVE A SUGGESTION OR COMMENT, GIVE US A CALL.  
YOUR FEEDBACK IS VITAL TO THE SUCCESS OF DEWALT'S  
QUALITY IMPROVEMENT PROGRAM.

**Questions? Visit us at [www.dewalt.com](http://www.dewalt.com)**

**Des questions ? Rendez nous visite à [www.dewalt.com](http://www.dewalt.com)**

**¿Tiene preguntas? Visítenos en [www.dewalt.com](http://www.dewalt.com)**

**INSTRUCTION MANUAL  
GUIDE D'UTILISATION  
MANUAL DE INSTRUCCIONES**

INSTRUCTIVO DE OPERACIÓN, CENTROS DE SERVICIO Y PÓLIZA DE  
GARANTÍA. **ADVERTENCIA:** LÉASE ESTE INSTRUCTIVO ANTES DE  
USAR EL PRODUCTO.

**DEWALT®**

**DHS790**

**12" (305 mm) 120V Max\* Double Bevel Sliding Compound Miter Saw**

**Scie coulissante à onglet mixte 305 mm (12 po), 120 V max\***

**Sierra ingletadora compuesta deslizante de doble bisel de 305 mm  
(12") de 120 V Máx\***



### Definitions: Safety Guidelines

This instruction manual uses the following safety alert symbols and words to alert you to hazardous situations and your risk of personal injury or property damage.

**▲ DANGER:** Indicates an imminently hazardous situation which, if not avoided, **will** result in **death or serious injury**.

**▲ WARNING:** Indicates a potentially hazardous situation which, if not avoided, **could** result in **death or serious injury**.

**▲ CAUTION:** Indicates a potentially hazardous situation which, if not avoided, **may** result in **minor or moderate injury**.

**▲ (Used without word)** Indicates a safety related message.

**NOTICE:** Indicates a practice **not related to personal injury** which, if not avoided, **may** result in **property damage**.

IF YOU HAVE ANY QUESTIONS OR COMMENTS ABOUT THIS OR ANY DEWALT TOOL, CALL US TOLL FREE AT: **1-800-4-DEWALT (1-800-433-9258)**.



**WARNING:** To reduce the risk of injury, read the instruction manual.

### Important Safety Instructions

**▲ WARNING!** Read all safety warnings, instructions, illustrations and specifications provided with this power tool. Failure to follow all instructions listed below may result in electric shock, fire and/or serious injury.

### SAVE ALL WARNINGS AND INSTRUCTIONS FOR FUTURE REFERENCE

The term "power tool" in the warnings refers to your mains-operated (corded) power tool or battery-operated (cordless) power tool.

#### 1) WORK AREA SAFETY

- Keep work area clean and well lit.** Cluttered or dark areas invite accidents.
- Do not operate power tools in explosive atmospheres, such as in the presence of flammable liquids, gases or dust.** Power tools create sparks which may ignite the dust or fumes.
- Keep children and bystanders away while operating a power tool.** Distractions can cause you to lose control.

#### 2) ELECTRICAL SAFETY

- Power tool plugs must match the outlet. Never modify the plug in any way. Do not use any adapter plugs with earthed (grounded) power tools.** Unmodified plugs and matching outlets will reduce risk of electric shock.
- Avoid body contact with earthed or grounded surfaces such as pipes, radiators, ranges and refrigerators.** There is an increased risk of electric shock if your body is earthed or grounded.
- Do not expose power tools to rain or wet conditions.** Water entering a power tool will increase the risk of electric shock.
- Do not abuse the cord. Never use the cord for carrying, pulling or unplugging the power tool. Keep cord away from heat, oil, sharp edges or moving parts.** Damaged or entangled cords increase the risk of electric shock.
- When operating a power tool outdoors, use an extension cord suitable for outdoor use.** Use of a cord suitable for outdoor use reduces the risk of electric shock.
- If operating a power tool in a damp location is unavoidable, use a residual current device (RCD) protected supply.** Use of an RCD reduces the risk of electric shock.

#### 3) PERSONAL SAFETY

- Stay alert, watch what you are doing and use common sense when operating a power tool. Do not use a power tool while you are tired or under the influence of drugs, alcohol or medication.** A moment of inattention while operating power tools may result in serious personal injury.
- Use personal protective equipment. Always wear eye protection.** Protective equipment such as dust mask, non-skid safety shoes, hardhat, or hearing protection used for appropriate conditions will reduce personal injuries.
- Prevent unintentional starting. Ensure the switch is in the off position before connecting to power source and/or battery pack, picking up or carrying the tool.** Carrying power tools with your finger on the switch or energizing power tools that have the switch on invites accidents.
- Remove any adjusting key or wrench before turning the power tool on.** A wrench or a key left attached to a rotating part of the power tool may result in personal injury.
- Do not overreach. Keep proper footing and balance at all times.** This enables better control of the power tool in unexpected situations.
- Dress properly. Do not wear loose clothing or jewelry. Keep your hair, clothing and gloves away from moving parts.** Loose clothes, jewelry or long hair can be caught in moving parts.
- If devices are provided for the connection of dust extraction and collection facilities, ensure these are connected and properly used.** Use of dust collection can reduce dust-related hazards.
- Do not let familiarity gained from frequent use of tools allow you to become complacent and ignore tool safety principles.** A careless action can cause severe injury within a fraction of a second.

#### 4) POWER TOOL USE AND CARE

- Do not force the power tool. Use the correct power tool for your application.** The correct power tool will do the job better and safer at the rate for which it was designed.
- Do not use the power tool if the switch does not turn it on and off.** Any power tool that cannot be controlled with the switch is dangerous and must be repaired.
- Disconnect the plug from the power source and/or the battery pack from the power tool before making any adjustments, changing accessories, or storing power tools.** Such preventive safety measures reduce the risk of starting the power tool accidentally.
- Store idle power tools out of the reach of children and do not allow persons unfamiliar with the power tool or these instructions to operate the power tool.** Power tools are dangerous in the hands of untrained users.
- Maintain power tools. Check for misalignment or binding of moving parts, breakage of parts and any other condition that may affect the power tool's operation. If damaged, have the power tool repaired before use.** Many accidents are caused by poorly maintained power tools.
- Keep cutting tools sharp and clean.** Properly maintained cutting tools with sharp cutting edges are less likely to bind and are easier to control.
- Use the power tool, accessories and tool bits etc., in accordance with these instructions taking into account the working conditions and the work to be performed.** Use of the power tool for operations different from those intended could result in a hazardous situation.

#### 5) BATTERY TOOL USE AND CARE

- Recharge only with the charger specified by the manufacturer.** A charger that is suitable for one type of battery pack may create a risk of fire when used with another battery pack.
- Use power tools only with specifically designated battery packs.** Use of any other battery packs may create a risk of injury and fire.

- c) **When battery pack is not in use, keep it away from other metal objects like paper clips, coins, keys, nails, screws or other small metal objects that can make a connection from one terminal to another.** Shorting the battery terminals together may cause burns or a fire.
- d) **Under abusive conditions, liquid may be ejected from the battery; avoid contact. If contact accidentally occurs, flush with water. If liquid contacts eyes, additionally seek medical help.** Liquid ejected from the battery may cause irritation or burns.
- e) **Do not use a battery pack or tool that is damaged or modified.** Damaged or modified batteries may exhibit unpredictable behavior resulting in fire, explosion or risk of injury.
- f) **Do not expose a battery pack or tool to fire or excessive temperature.** Exposure to fire or temperature above 130 °C may cause explosion.
- g) **Follow all charging instructions and do not charge the battery pack or tool outside the temperature range specified in the instructions.** Charging improperly or at temperatures outside the specified range may damage the battery and increase the risk of fire.
- 6) SERVICE**
- a) **Have your power tool serviced by a qualified repair person using only identical replacement parts.** This will ensure that the safety of the power tool is maintained.
- b) **Never service damaged battery packs.** Service of battery packs should only be performed by the manufacturer or authorized service providers.

### Safety Instructions for Miter Saws

- a) **Miter saws are intended to cut wood or wood-like products, they cannot be used with abrasive cut-off wheels for cutting ferrous material such as bars, rods, studs, etc.** Abrasive dust causes moving parts such as the lower guard to jam. Sparks from abrasive cutting will burn the lower guard, the kerf insert and other plastic parts.
- b) **Use clamps to support the workpiece whenever possible. If supporting the workpiece by hand, you must always keep your hand at least 6" (152 mm) from either side of the saw blade. Do not use this saw to cut pieces that are too small to be securely clamped or held by hand.** If your hand is placed too close to the saw blade, there is an increased risk of injury from blade contact.
- c) **The workpiece must be stationary and clamped or held against both the fence and the table. Do not feed the workpiece into the blade or cut "freehand" in any way.** Unrestrained or moving workpieces could be thrown at high speeds, causing injury.
- d) **Push the saw through the workpiece. Do not pull the saw through the workpiece. To make a cut, raise the saw head and pull it out over the workpiece without cutting, start the motor, press the saw head down and push the saw through the workpiece.** Cutting on the pull stroke is likely to cause the saw blade to climb on top of the workpiece and violently throw the blade assembly towards the operator.
- e) **Never cross your hand over the intended line of cutting either in front or behind the saw blade.** Supporting the workpiece "cross handed" i.e. holding the workpiece to the right of the saw blade with your left hand or vice versa is very dangerous.
- f) **Do not reach behind the fence with either hand closer than 6" (152 mm) from either side of the saw blade, to remove wood scraps, or for any other reason while the blade is spinning.** The proximity of the spinning saw blade to your hand may not be obvious and you may be seriously injured.
- g) **Inspect your workpiece before cutting. If the workpiece is bowed or warped, clamp it with the outside bowed face toward the fence. Always make certain that there is no gap between the workpiece, fence and table along the line of the cut.** Bent or warped workpieces can twist or shift and may cause binding on the spinning saw blade while cutting. There should be no nails or foreign objects in the workpiece.
- h) **Do not use the saw until the table is clear of all tools, wood scraps, etc., except for the workpiece.** Small debris or loose pieces of wood or other objects that contact the revolving blade can be thrown with high speed.

- i) **Cut only one workpiece at a time.** Stacked multiple workpieces cannot be adequately clamped or braced and may bind on the blade or shift during cutting.
- j) **Ensure the miter saw is mounted or placed on a level, firm work surface before use.** A level and firm work surface reduces the risk of the miter saw becoming unstable.
- k) **Plan your work. Every time you change the bevel or miter angle setting, make sure the fence will not interfere with the blade or the guarding system.** Without turning the tool "ON" and with no workpiece on the table, move the saw blade through a complete simulated cut to assure there will be no interference or danger of cutting the fence.
- l) **Provide adequate support such as table extensions, saw horses, etc. for a workpiece that is wider or longer than the table top.** Workpieces longer or wider than the miter saw table can tip if not securely supported. If the cut-off piece or workpiece tips, it can lift the lower guard or be thrown by the spinning blade.
- m) **Do not use another person as a substitute for a table extension or as additional support.** Unstable support for the workpiece can cause the blade to bind or the workpiece to shift during the cutting operation pulling you and the helper into the spinning blade.
- n) **The cut-off piece must not be jammed or pressed by any means against the spinning saw blade.** If confined, i.e. using length stops, the cut-off piece could get wedged against the blade and thrown violently.
- o) **Always use a clamp or a fixture designed to properly support round material such as rods or tubing.** Rods have a tendency to roll while being cut, causing the blade to "bite" and pull the work with your hand into the blade.
- p) **Let the blade reach full speed before contacting the workpiece.** This will reduce the risk of the workpiece being thrown.
- q) **If the workpiece or blade becomes jammed, turn the miter saw off. Wait for all moving parts to stop and disconnect the plug from the power source and/or remove the battery pack. Then work to free the jammed material.** Continued sawing with a jammed workpiece could cause loss of control or damage to the miter saw.
- r) **After finishing the cut, release the switch, hold the saw head down and wait for the blade to stop before removing the cut-off piece.** Reaching with your hand near the coasting blade is dangerous.
- s) **Hold the handle firmly when making an incomplete cut or when releasing the switch before the saw head is completely in the down position.** The braking action of the saw may cause the saw head to be suddenly pulled downward, causing a risk of injury.

### Additional Safety Rules for Miter Saws

**⚠WARNING:** Do not insert the battery into the unit or connect to a power source until complete instructions are read and understood.

- **DO NOT OPERATE THIS MACHINE** until it is completely assembled and installed according to the instructions. A machine incorrectly assembled can cause serious injury.
- **OBTAIN ADVICE** from your supervisor, instructor, or another qualified person if you are not thoroughly familiar with the operation of this machine. Knowledge is safety.
- **FOLLOW ALL WIRING CODES** and recommended electrical connections to prevent shock or electrocution. Protect electric supply line with at least a 15 ampere time-delay fuse or a circuit breaker.
- **MAKE CERTAIN** the blade rotates in the correct direction. The teeth on the blade should point in the direction of rotation as marked on the saw.
- **TIGHTEN ALL CLAMP HANDLES**, knobs and levers prior to operation. Loose clamps can cause parts or the workpiece to be thrown at high speeds.
- **BE SURE** all blade and blade clamps are clean, recessed sides of blade clamps are against blade and arbor screw is tightened securely. Loose or improper blade clamping may result in damage to the saw and possible personal injury.



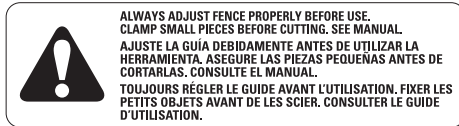
- **ONLY OPERATE WITH DeWALT FLEXVOLT BATTERIES OR WITH THE DeWALT CORDED POWER SUPPLY.** Only connect the power supply cord to the designated voltage listed. Overheating, damage to the tool and personal injury may occur.
  - **DO NOT WEDGE ANYTHING AGAINST THE FAN** to hold the motor shaft. Damage to tool and possible personal injury may occur.
  - **NEVER CUT FERROUS METALS** (those with any iron or steel content) or masonry. Either of these can cause the carbide tips to fly off the blade at high speeds causing serious injury.
  - **DO NOT USE ABRASIVE WHEELS OR BLADES.** The excessive heat and abrasive particles generated by them may damage the saw and cause personal injury.
  - **NEVER HAVE ANY PART OF YOUR BODY IN LINE WITH THE PATH OF THE SAW BLADE.** Personal injury will occur.
  - **NEVER APPLY BLADE LUBRICANT TO A RUNNING BLADE.** Applying lubricant could cause your hand to move into the blade resulting in serious injury.
  - **DO NOT** place either hand in the blade area when the saw is connected to the power source. Inadvertent blade activation may result in serious injury.
  - **NEVER REACH AROUND OR BEHIND THE SAW BLADE.** A blade can cause serious injury.
  - **DO NOT REACH UNDERNEATH THE SAW** unless it is unplugged and turned off. Contact with saw blade may cause personal injury.
  - **SECURE THE MACHINE TO A STABLE SUPPORTING SURFACE.** Vibration can possibly cause the machine to slide, walk, or tip over, causing serious injury.
  - **USE ONLY CROSSCUT SAW BLADES** recommended for miter saws. For best results, do not use carbide tipped blades with hook angles in excess of 7 degrees. Do not use blades with deep gullets. These can deflect and contact the guard, and can cause damage to the machine and/or serious injury.
  - **USE ONLY BLADES OF THE CORRECT SIZE AND TYPE** specified for this tool to prevent damage to the machine and/or serious injury.
  - **INSPECT BLADE FOR CRACKS** or other damage prior to operation. A cracked or damaged blade can come apart and pieces can be thrown at high speeds, causing serious injury. Replace cracked or damaged blades immediately.
  - **CLEAN THE BLADE AND BLADE CLAMPS** prior to operation. Cleaning the blade and blade clamps allows you to check for any damage to the blade or blade clamps. A cracked or damaged blade or blade clamp can come apart and pieces can be thrown at high speeds, causing serious injury.
  - **DO NOT USE WARPED BLADES.** Check to see if the blade runs true and is free from vibration. A vibrating blade can cause damage to the machine and/or serious injury.
  - **DO NOT** use lubricants or cleaners (particularly spray or aerosol) in the vicinity of the plastic guard. The polycarbonate material used in the guard is subject to attack by certain chemicals.
  - **KEEP GUARD IN PLACE** and in working order.
  - **ALWAYS USE THE KERF PLATE AND REPLACE THIS PLATE WHEN DAMAGED.** Small chip accumulation under the saw may interfere with the saw blade or may cause instability of workpiece when cutting.
  - **USE ONLY BLADE CLAMPS SPECIFIED FOR THIS TOOL** to prevent damage to the machine and/or serious injury.
  - **CLEAN THE MOTOR AIR SLOTS** of chips and sawdust. Clogged motor air slots can cause the machine to overheat, damaging the machine and possibly causing a short which could cause serious injury.
  - **NEVER LOCK THE SWITCH IN THE "ON" POSITION.** Severe personal injury may result.
  - **NEVER STAND ON TOOL.** Serious injury could occur if the tool is tipped or if the cutting tool is unintentionally contacted.
  - **NEVER LEAVE TOOL RUNNING UNATTENDED. TURN POWER OFF.** Don't leave tool until it comes to a complete stop.
  - **ADDITIONAL INFORMATION** regarding the safe and proper operation of power tools (i.e., a safety video) is available from the Power Tool Institute, 1300 Sumner Avenue, Cleveland, OH 44115-2851 ([www.powertoolinstitute.com](http://www.powertoolinstitute.com)). Information is also available from the National Safety Council, 1121 Spring Lake Drive, Itasca, IL 60143-3201. Please refer to the American National Standards Institute ANSI 01.1 Safety Requirements for Woodworking Machines and the U.S. Department of Labor OSHA 1910.213 Regulations.
- ⚠WARNING:** Cutting plastics, sap coated wood, and other materials may cause melted material to accumulate on the blade tips and the body of the saw blade, increasing the risk of blade overheating and binding while cutting.
- ⚠WARNING: Always wear proper personal hearing protection that conforms to ANSI S12.6 (S3.19) during use.** Under some conditions and duration of use, noise from this product may contribute to hearing loss.
- ⚠WARNING: ALWAYS** use safety glasses. Everyday eyeglasses are NOT safety glasses. Also use face or dust mask if cutting operation is dusty. **ALWAYS WEAR CERTIFIED SAFETY EQUIPMENT:**
- ANSI Z87.1 eye protection (CAN/CSA Z94.3),
  - ANSI S12.6 (S3.19) hearing protection,
  - NIOSH/OSHA/MSHA respiratory protection.
- ⚠WARNING:** Some dust created by power sanding, sawing, grinding, drilling, and other construction activities contains chemicals known to the State of California to cause cancer, birth defects or other reproductive harm. Some examples of these chemicals are:
- lead from lead-based paints,
  - crystalline silica from bricks and cement and other masonry products, and
  - arsenic and chromium from chemically-treated lumber.
- Your risk from these exposures varies, depending on how often you do this type of work. To reduce your exposure to these chemicals: work in a well ventilated area, and work with approved safety equipment, such as those dust masks that are specially designed to filter out microscopic particles.
- **Avoid prolonged contact with dust from power sanding, sawing, grinding, drilling, and other construction activities. Wear protective clothing and wash exposed areas with soap and water.** Allowing dust to get into your mouth, eyes, or lay on the skin may promote absorption of harmful chemicals.
- ⚠WARNING:** Use of this tool can generate and/or disperse dust, which may cause serious and permanent respiratory or other injury. Always use NIOSH/OSHA approved respiratory protection appropriate for the dust exposure. Direct particles away from face and body.
- The label on your tool may include the following symbols. The symbols and their definitions are as follows:
- |   |   |
|---|---|
| V..... volts                                    | A..... amperes                                |
| Hz..... hertz                                   | W..... watts                                  |
| min..... minutes                                | ~ or AC..... alternating current              |
| ≡ or DC..... direct current                     | ⎓ or AC/DC..... alternating or direct current |
| Ⓛ..... Class I Construction (grounded)          | n <sub>0</sub> ..... no load speed            |
| Ⓜ..... Class II Construction (double insulated) | n..... rated speed                            |
| .../min..... per minute                         | ⊕..... earthing terminal                      |
| BPM..... beats per minute                       | ▲..... safety alert symbol                    |
| IPM..... impacts per minute                     | SPM..... strokes per minute                   |
| RPM..... revolutions per minute                 | sfm..... surface feet per minute              |
| ⚠..... visible radiation                        | ☞..... wear eye protection                    |
| ☞..... wear respiratory protection              | 👂..... wear hearing protection                |

For your convenience and safety, the following warning labels are on your miter saw.

#### ON MOTOR HOUSING:

**⚠WARNING: TO REDUCE THE RISK OF INJURY, USER MUST READ INSTRUCTION MANUAL BEFORE OPERATING MITER SAW. WHEN SERVICING, USE ONLY IDENTICAL REPLACEMENT PARTS. DO NOT EXPOSE TO RAIN OR USE IN DAMP LOCATIONS. ALWAYS USE PROPER EYE AND RESPIRATORY PROTECTION.**

#### ON MOVING FENCES:



**ALWAYS ADJUST FENCE PROPERLY BEFORE USE. CLAMP SMALL PIECES BEFORE CUTTING. SEE MANUAL.**

#### ON GUARD:

**DANGER—KEEP AWAY FROM BLADE.**

#### ON UPPER GUARD:

**PROPERLY SECURE BRACKET WITH BOTH SCREWS BEFORE USE.**

#### ON TABLE: (2 PLACES)

**⚠WARNING: TO REDUCE THE RISK OF INJURY, USER MUST READ INSTRUCTION MANUAL BEFORE OPERATING MITER SAW. KEEP HANDS OUT OF PATH OF SAW BLADE. DO NOT OPERATE SAW WITHOUT GUARDS IN PLACE. CHECK LOWER GUARD FOR PROPER CLOSING BEFORE EACH USE. ALWAYS TIGHTEN ADJUSTMENT KNOBS BEFORE USE. DO NOT PERFORM ANY OPERATION FREEHAND. CLAMP SMALL PIECES BEFORE CUTTING. NEVER REACH IN BACK OF SAW BLADE. NEVER CROSS ARMS IN FRONT OF BLADE. TURN OFF TOOL AND WAIT FOR SAW BLADE TO STOP BEFORE MOVING WORKPIECE, CHANGING SETTINGS OR MOVING HANDS. REMOVE BATTERY PACK BEFORE ADJUSTING, CHANGING BLADE OR SERVICING. TO REDUCE THE RISK OF INJURY, RETURN CARRIAGE TO THE FULL REAR POSITION AFTER EACH CROSSCUT OPERATION. THINK! YOU CAN PREVENT ACCIDENTS.**

#### ON BASE: (2 PLACES)



## Electrical Connection

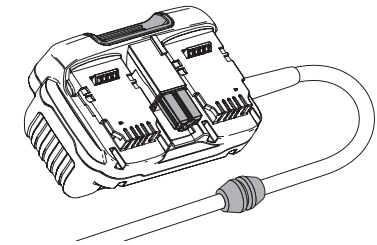
Be sure your power source agrees with the nameplate marking. 120 volts, AC means that your saw will operate on alternating current. Do not operate with DC power. A voltage decrease of 10 percent or more will cause a loss of power and overheating. All DeWALT tools are factory tested. If this tool does not operate, check the power supply.

This miter saw operates on either two 60V battery packs or by using the DeWALT corded power supply.

## Using the Corded Power Supply

The DeWALT corded power supply is designed to provide power for DeWALT 120V Max\* FLEXVOLT cordless tools. Insert the corded power supply into the miter saw battery slot (refer to **Installing and Removing the Corded Power Supply**) and plug the power supply into an AC outlet. The power supply will act as the power source to the tool. Your DeWALT corded power supply should only be used with standard household 120 VAC, 60 Hz power or a 120 VAC 60Hz generator.

Fig. 1



The corded power supply is suitable for use with both grounded and double insulated 120V AC tools. When the power supply is utilized with a grounded tool, the tool inlet will be equipped with a ground prong that allows the ground path from the tool to connect to the power supply. When the power supply is used with this double insulated miter saw, no ground connection is made from the tool to the power supply as no ground connection is required.

## Additional Specific Usage Instructions

The corded power supply may become warm to the touch during use. This is a normal condition and does not indicate a problem.

**IMPORTANT.** The power supply is not user serviceable. There are no user serviceable parts inside the power supply.

Servicing at an authorized service center is required to avoid damage to static sensitive internal components.

## Batteries and Chargers

The battery pack is not fully charged out of the carton. Before using the battery pack and charger, read the safety instructions below and then follow charging procedures outlined. When ordering replacement battery packs, be sure to include the catalog number and voltage. Your tool uses a DeWALT charger. Be sure to read all safety instructions before using your charger. Consult the chart at the end of this manual for compatibility of chargers and battery packs.

## Important Safety Instructions for All Battery Packs

**⚠WARNING:** Read all safety warnings and all instructions for the battery pack, charger and power tool. Failure to follow the warnings and instructions may result in electric shock, fire and/or serious injury.

- **Do not charge or use the battery pack in explosive atmospheres, such as in the presence of flammable liquids, gases or dust.** Inserting or removing the battery pack from the charger may ignite the dust or fumes.
- **Never force the battery pack into the charger. Do not modify the battery pack in any way to fit into a non-compatible charger as battery pack may rupture causing serious personal injury.** Consult the chart at the end of this manual for compatibility of batteries and chargers.
- Charge the battery packs only in designated DeWALT chargers.
- **DO NOT splash or immerse in water or other liquids.**
- **Do not store or use the tool and battery pack in locations where the temperature may reach or exceed 104 °F (40 °C) (such as outside sheds or metal buildings in summer).** For best life store battery packs in a cool, dry location. **NOTE: Do not store the battery packs in a tool with the trigger switch locked on. Never tape the trigger switch in the ON position.**

- **Do not incinerate the battery pack even if it is severely damaged or is completely worn out.** The battery pack can explode in a fire. Toxic fumes and materials are created when lithium ion battery packs are burned.
- **If battery contents come into contact with the skin, immediately wash area with mild soap and water.** If battery liquid gets into the eye, rinse water over the open eye for 15 minutes or until irritation ceases. If medical attention is needed, the battery electrolyte is composed of a mixture of liquid organic carbonates and lithium salts.
- **Contents of opened battery cells may cause respiratory irritation.** Provide fresh air. If symptoms persist, seek medical attention.

**⚠WARNING:** Burn hazard. Battery liquid may be flammable if exposed to spark or flame.

**⚠WARNING:** Fire hazard. Never attempt to open the battery pack for any reason. If the battery pack case is cracked or damaged, do not insert into the charger. Do not crush, drop or damage the battery pack. Do not use a battery pack or charger that has received a sharp blow, been dropped, run over or damaged in any way (e.g., pierced with a nail, hit with a hammer, stepped on). Damaged battery packs should be returned to the service center for recycling.

**TRANSPORTATION**

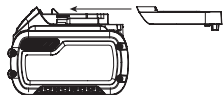
**⚠WARNING:** Fire hazard. Do not store or carry the battery pack so that metal objects can contact exposed battery terminals. For example, do not place the battery pack in aprons, pockets, tool boxes, product kit boxes, drawers, etc., with loose nails, screws, keys, etc. **Transporting batteries can possibly cause fires if the battery terminals inadvertently come in contact with conductive materials such as keys, coins, hand tools and the like.** The US Department of Transportation Hazardous Material Regulations (HMR) actually prohibit transporting batteries in commerce or on airplanes in carry-on baggage UNLESS they are properly protected from short circuits. So when transporting individual battery packs, make sure that the battery terminals are protected and well insulated from materials that could contact them and cause a short circuit.

**SHIPPING THE DEWALT FLEXVOLT™ BATTERY**

The DEWALT FLEXVOLT™ battery has two modes: **Use** and **Shipping**.

**Use Mode:** When the FLEXVOLT™ battery stands alone or is in a DEWALT 20V Max\* product, it will operate as a 20V Max\* battery. When the FLEXVOLT™ battery is in a 60V Max\* or a 120V Max\* (two 60V Max\* batteries) product, it will operate as a 60V Max\* battery.

**Shipping Mode:** When the cap is attached to the FLEXVOLT™ battery, the battery is in Shipping Mode. Strings of cells are electrically disconnected within the pack resulting in three batteries with a lower Watt hour (Wh) rating as compared to one battery with a higher Watt hour rating. This increased quantity of three batteries with the lower Watt hour rating can exempt the pack from certain shipping regulations that are imposed upon the higher Watt hour batteries.



The battery label indicates two Watt hour ratings (see example). Depending on how the battery is shipped, the appropriate Watt hour rating must be used to determine the applicable shipping requirements. If utilizing the shipping cap, the pack will be considered 3 batteries at the Watt hour rating indicated for “Shipping”. If shipping without the cap or in a tool, the pack will be considered one battery at the Watt hour rating indicated next to “Use”.

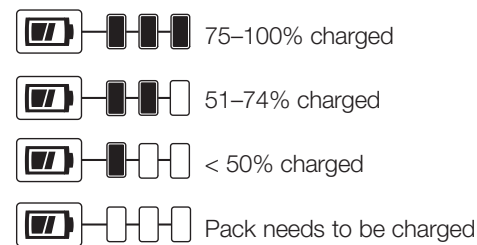


Shipping Watt hour rating indicates 3 x 40 Wh, meaning 3 batteries of 40 Watt hours each. The Use Watt hour rating indicates 120 Watt hour (1 battery implied).

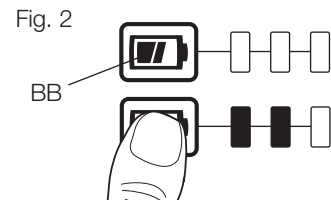
**FUEL GAUGE BATTERY PACKS (FIG. 2)**

Some DEWALT battery packs include a fuel gauge which consists of three green LED lights that indicate the level of charge remaining in the battery pack.

The fuel gauge is an indication of approximate levels of charge remaining in the battery pack according to the following indicators:



To actuate the fuel gauge, press and hold the fuel gauge button (BB). A combination of the three green LED lights will illuminate designating the level of charge left. When the level of charge in the battery is below the usable limit, the fuel gauge will not illuminate and the battery will need to be recharged.



**NOTE:** The fuel gauge is only an indication of the charge left on the battery pack. It does not indicate tool functionality and is subject to variation based on product components, temperature and end-user application.

For more information regarding fuel gauge battery packs, please contact call 1-800-4-DEWALT (1-800-433-9258) or visit our website [www.dewalt.com](http://www.dewalt.com).

**The RBRC® Seal**

The RBRC® (Rechargeable Battery Recycling Corporation) Seal on the nickel cadmium, nickel metal hydride or lithium-ion batteries (or battery packs) indicates that the costs to recycle these batteries (or battery packs) at the end of their useful life have already been paid by DEWALT. In some areas, it is illegal to place spent nickel cadmium, nickel metal hydride or lithium-ion batteries in the trash or municipal solid waste stream and the Call 2 Recycle® program provides an environmentally conscious alternative.



Call 2 Recycle, Inc., in cooperation with DEWALT and other battery users, has established the program in the United States and Canada to facilitate the collection of spent nickel cadmium, nickel metal hydride or lithium-ion batteries. Help protect our environment and conserve natural resources by returning the spent nickel cadmium, nickel metal hydride or lithium-ion batteries to an authorized DEWALT service center or to your local retailer for recycling. You may also contact your local recycling center for information on where to drop off the spent battery. RBRC® is a registered trademark of Call 2 Recycle, Inc.

**Important Safety Instructions for All Battery Chargers**

**⚠WARNING:** Read all safety warnings and all instructions for the battery pack, charger and power tool. Failure to follow the warnings and instructions may result in electric shock, fire and/or serious injury.



- **DO NOT attempt to charge the battery pack with any chargers other than the ones in this manual.** The charger and battery pack are specifically designed to work together.
- **These chargers are not intended for any uses other than charging DEWALT rechargeable batteries.** Any other uses may result in risk of fire, electric shock or electrocution.
- **Do not expose the charger to rain or snow.**
- **Pull by the plug rather than the cord when disconnecting the charger.** This will reduce the risk of damage to the electric plug and cord.
- **Make sure that the cord is located so that it will not be stepped on, tripped over or otherwise subjected to damage or stress.**
- **Do not use an extension cord unless it is absolutely necessary.** Use of improper extension cord could result in risk of fire, electric shock or electrocution.
- **When operating a charger outdoors, always provide a dry location and use an extension cord suitable for outdoor use.** Use of a cord suitable for outdoor use reduces the risk of electric shock.
- **An extension cord must have adequate wire size (AWG or American Wire Gauge) for safety.** The smaller the gauge number of the wire, the greater the capacity of the cable, that is, 16 gauge has more capacity than 18 gauge. An undersized cord will cause a drop in line voltage resulting in loss of power and overheating. When using more than one extension to make up the total length, be sure each individual extension contains at least the minimum wire size. The following table shows the correct size to use depending on cord length and nameplate ampere rating. If in doubt, use the next heavier gauge. The lower the gauge number, the heavier the cord.

Ampere Rating		Minimum Gauge for Cord Sets				
		Volts	Total Length of Cord in Feet (meters)			
		120V	25 (7.6)	50 (15.2)	100 (30.5)	150 (45.7)
240V	50 (15.2)	100 (30.5)	200 (61.0)	300 (91.4)		
More Than	Not More Than	AWG				
0	6	18	16	16	14	
6	10	18	16	14	12	
10	12	16	16	14	12	
12	16	14	12	Not Recommended		

- **Do not place any object on top of the charger or place the charger on a soft surface that might block the ventilation slots and result in excessive internal heat.** Place the charger in a position away from any heat source. The charger is ventilated through slots in the top and the bottom of the housing.
- **Do not operate the charger with a damaged cord or plug.**
- **Do not operate the charger if it has received a sharp blow, been dropped or otherwise damaged in any way.** Take it to an authorized service center.
- **Do not disassemble the charger; take it to an authorized service center when service or repair is required.** Incorrect reassembly may result in a risk of electric shock, electrocution or fire.
- **Disconnect the charger from the outlet before attempting any cleaning. This will reduce the risk of electric shock.** Removing the battery pack will not reduce this risk.
- **NEVER attempt to connect 2 chargers together.**
- **The charger is designed to operate on standard 120V household electrical power. Do not attempt to use it on any other voltage.** This does not apply to the vehicular charger.

**⚠ WARNING: Shock hazard.** Do not allow any liquid to get inside the charger. Electric shock may result.

**⚠ WARNING: Burn hazard.** Do not submerge the battery pack in any liquid or allow any liquid to enter the battery pack. Never attempt to open the battery pack for any reason. If the plastic housing of the battery pack breaks or cracks, return to a service center for recycling.

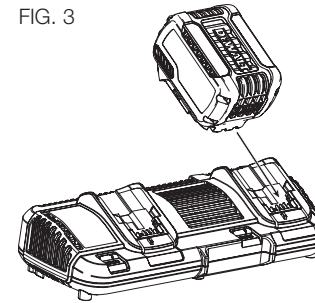
**⚠ CAUTION: Burn hazard.** To reduce the risk of injury, charge only DEWALT rechargeable battery packs. Other types of batteries may overheat and burst resulting in personal injury and property damage.

**NOTICE:** Under certain conditions, with the charger plugged into the power supply, the charger can be shorted by foreign material. Foreign materials of a conductive nature, such as, but not limited to, grinding dust, metal chips, steel wool, aluminum foil or any buildup of metallic particles should be kept away from the charger cavities. Always unplug the charger from the power supply when there is no battery pack in the cavity. Unplug the charger before attempting to clean.

### Charging a Battery (Fig. 3)

Plug the charger into an appropriate outlet before inserting battery pack.

FIG. 3



Insert the battery pack into the charger, making sure the battery pack is fully seated in the charger. The red (charging) light will blink continuously indicating that the charging process has started.

The completion of charge will be indicated by the red light remaining ON continuously. The battery pack is fully charged and may be used at this time or left in the charger. To remove the battery pack from the charger, push the battery release button on the battery pack.

**NOTE:** To ensure maximum performance and life of lithium-ion battery packs, charge the battery pack fully before first use.

#### CHARGER OPERATION

Refer to the indicators below for the charge status of the battery pack.

DCB107, DCB112, DCB113, DCB115, DCB118, DCB132		
Charging	--- ---	
Fully Charged	—————	
Hot/Cold Pack Delay*	--- ———	

\*The red light will continue to blink, but a yellow indicator light will be illuminated during this operation. Once the battery pack has reached an appropriate temperature, the yellow light will turn off and the charger will resume the charging procedure.

The compatible charger(s) will not charge a faulty battery pack. The charger will indicate faulty battery pack by refusing to light or by displaying a problem pack or charger blink pattern.

**NOTE:** This could also mean a problem with a charger.

If the charger indicates a problem, take the charger and battery pack to be tested at an authorized service center.

### HOT/COLD PACK DELAY

When the charger detects a battery pack that is too hot or too cold, it automatically starts a Hot/Cold Pack Delay, suspending charging until the battery pack has reached an appropriate temperature. The charger then automatically switches to the pack charging mode. This feature ensures maximum battery pack life.

A cold battery pack will charge at a slower rate than a warm battery pack. The battery pack will charge at that slower rate throughout the entire charging cycle and will not return to maximum charge rate even if the battery pack warms.

The DCB118 charger is equipped with an internal fan designed to cool the battery pack. The fan will turn on automatically when the battery pack needs to be cooled.

Never operate the charger if the fan does not operate properly or if ventilation slots are blocked. Do not permit foreign objects to enter the interior of the charger.

### ELECTRONIC PROTECTION SYSTEM

Li-Ion tools are designed with an Electronic Protection System that will protect the battery pack against overloading, overheating or deep discharge.

The tool will automatically turn off if the Electronic Protection System engages. If this occurs, place the lithium-ion battery pack on the charger until it is fully charged.

### Wall Mounting

These chargers are designed to be wall mountable or to sit upright on a table or work surface. If wall mounting, locate the charger within reach of an electrical outlet, and away from a corner or other obstructions which may impede air flow. Use the back of the charger as a template for the location of the mounting screws on the wall. Mount the charger securely using drywall screws (purchased separately) at least 1" (25.4 mm) long, with a screw head diameter of 0.28–0.35" (7–9 mm), screwed into wood to an optimal depth leaving approximately 7/32" (5.5 mm) of the screw exposed. Align the slots on the back of the charger with the exposed screws and fully engage them in the slots.

### Charger Cleaning Instructions

**⚠WARNING: Shock hazard.** Disconnect the charger from the AC outlet before cleaning. Dirt and grease may be removed from the exterior of the charger using a cloth or soft non-metallic brush. Do not use water or any cleaning solutions.

### Important Charging Notes

- Longest life and best performance can be obtained if the battery pack is charged when the air temperature is between 65 °F and 75 °F (18 °–24 °C). DO NOT charge the battery pack in an air temperature below +40 °F (+4.5 °C), or above +104 °F (+40 °C). This is important and will prevent serious damage to the battery pack.
- The charger and battery pack may become warm to the touch while charging. This is a normal condition, and does not indicate a problem. To facilitate the cooling of the battery pack after use, avoid placing the charger or battery pack in a warm environment such as in a metal shed or an uninsulated trailer.
- If the battery pack does not charge properly:
  - Check operation of receptacle by plugging in a lamp or other appliance;
  - Check to see if receptacle is connected to a light switch which turns power off when you turn out the lights;
  - Move the charger and battery pack to a location where the surrounding air temperature is approximately 65 °F–75 °F (18 °–24 °C);

d. If charging problems persist, take the tool, battery pack and charger to your local service center.

- The battery pack should be recharged when it fails to produce sufficient power on jobs which were easily done previously. DO NOT CONTINUE to use under these conditions. Follow the charging procedure. You may also charge a partially used pack whenever you desire with no adverse effect on the battery pack.
- Foreign materials of a conductive nature such as, but not limited to, grinding dust, metal chips, steel wool, aluminum foil, or any buildup of metallic particles should be kept away from charger cavities. Always unplug the charger from the power supply when there is no battery pack in the cavity. Unplug the charger before attempting to clean.
- Do not freeze or immerse the charger in water or any other liquid.

### Storage Recommendations

- The best storage place is one that is cool and dry, away from direct sunlight and excess heat or cold.
- For long storage, it is recommended to store a fully charged battery pack in a cool dry place out of the charger for optimal results.

**NOTE:** Battery packs should not be stored completely depleted of charge. The battery pack will need to be recharged before use.

### SAVE THESE INSTRUCTIONS FOR FUTURE USE

### Unpacking Your Saw

Check the contents of your miter saw carton to make sure that you have received all parts. In addition to this instruction manual, the carton should contain:

- 1 DHS790 miter saw
- 1 DeWALT 12" (305 mm) diameter saw blade

May include:

- 1 DeWALT Corded power supply
- 2 60V batteries
- 1 Dual port charger

In bag:

- 1 Blade wrench
- 1 Material clamp
- 1 Dustbag
- 1 Instruction manual

### Specifications

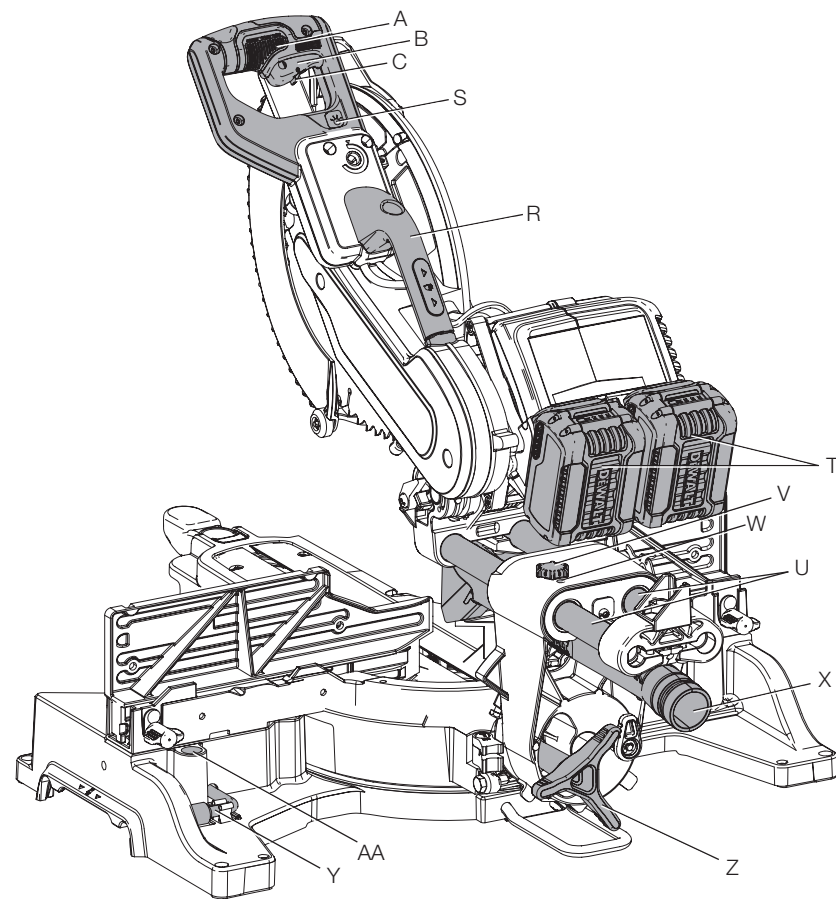
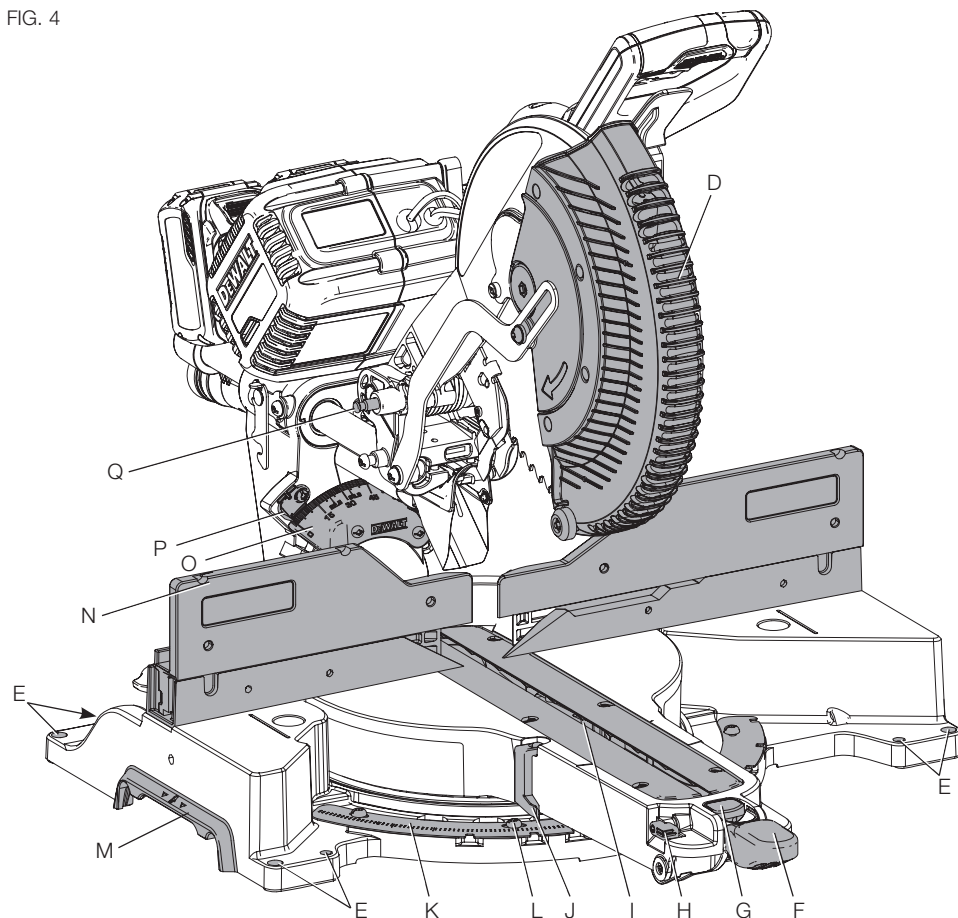
#### CAPACITY OF CUT

50° miter left, 60° miter right,  
49° bevel left and right

ANGLE	MAXIMUM CAPACITY OF CUT		RESULT	
0° miter	Height	4.4" (112 mm)	Width	9.1" (231 mm)
	Width	13.75" (349 mm)	Height	3.0" (76 mm)
45° miter	Height	4.4" (112 mm)	Width	5.8" (147 mm)
	Width	9.6" (244 mm)	Height	3.0" (76 mm)
45° bevel – left	Height	3.1" (79 mm)	Width	11.4" (290 mm)
	Width	13.75" (349 mm)	Height	1.7" (43 mm)
45° bevel – right	Height	2.2" (56 mm)	Width	11.4" (290 mm)
	Width	13.75" (349 mm)	Height	1.1" (28 mm)



FIG. 4



Your saw is capable of cutting baseboard moldings held vertically 0.8" (20 mm) thick by 6.75" (171 mm) tall on a 45° right or left miter, when using the slide lock lever (AN, Fig. 10).

**NOTE:** Your saw is capable of cutting the following once a special setup procedure is followed. Refer to **Special Cuts**.

0° miter	Height 1.5" (38 mm)	Width 16.1" (409 mm)
45° miter	Height 1.5" (38 mm)	Width 11.7" (297 mm)

**Familiarization**

Your miter saw is fully assembled in the carton. Open the box and lift the saw out by the convenient lifting handle, as shown in Figure 5. Place the saw on a smooth, flat surface such as a workbench, strong table or DEWALT miter saw stand. Examine Figure 4 to become familiar with the saw and its various parts. The section on adjustments will refer to these terms and you must know what and where the parts are.

**⚠CAUTION:** Pinch Hazard. To reduce the risk of injury, keep thumb underneath the operating handle (A) when pulling the handle down. The lower guard will move up as the handle is

pulled down which could cause pinching. The handle is placed close to the guard for special cuts.

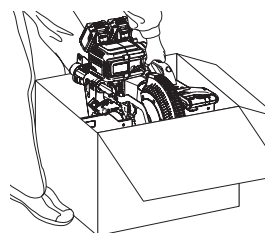
Press down lightly on the operating handle and pull out the lock down pin (Q, Fig. 4). Gently release the downward pressure and hold the arm allowing it to rise to its full height. Use the lock down pin when carrying the saw from one place to another. Always use the carrying handle to transport the saw or the hand indentations (M, Fig. 4).

**COMPONENTS (Fig. 4)**

**⚠WARNING:** Never modify the power tool or any part of it. Damage or personal injury could result.

- A. Operating handle
- B. Trigger switch
- C. Trigger lock-off button
- D. Lower guard
- E. Mounting holes
- F. Miter lock lever
- G. Miter release button
- H. Miter detent override lever
- I. Kerf plate
- J. Miter scale pointer
- K. Miter scale
- L. Miter scale screws
- M. Hand indentations
- N. Fence
- O. Bevel scale
- P. Bevel scale pointer
- Q. Lock down pin
- R. Lifting handle
- S. CUTLINE™ worklight switch
- T. Battery packs
- U. Rails
- V. Rail lock knob
- W. Rail adjustment screw
- X. Dust port
- Y. Hex wrench
- Z. Bevel lock knob
- AA. Clamp hole

FIG. 5



## INTENDED USE

This miter saw is designed for professional sawing applications.

**DO NOT** use under wet conditions or in presence of flammable liquids or gases.

This miter saw is a professional power tool. **DO NOT** let children come into contact with the tool. Supervision is required when inexperienced operators use this tool.

## Transporting and Storing the Saw (Fig. 4, 7)

**⚠ WARNING:** To reduce the risk of serious personal injury, turn tool off and remove the battery packs or power supply before transporting, making any adjustments, cleaning, repairing, or removing/installing attachments or accessories. An accidental start-up can cause injury.

**⚠ WARNING:** To reduce the risk of serious personal injury, ALWAYS lock the rail lock knob (V), miter lock lever (F), bevel lock knob (Z), lock down pin (Q) and fence adjustment knobs (AZ, Fig. 7) before transporting saw.

In order to conveniently carry the miter saw from place to place, a lifting handle (R) has been included on the top of the saw arm and hand indentations (M) in the base.

### HEAD LOCK DOWN PIN (FIG. 4)

**⚠ WARNING:** The lock down pin should be used ONLY when carrying or storing the saw. NEVER use the lock down pin for any cutting operation.

To lock the saw head in the down position, push the head down, push the lock down pin (Q) in and release the saw head. This will hold the saw head safely down for moving the saw from place to place. To release, press the saw head down and pull the pin out.

## FEATURES AND CONTROLS

**⚠ WARNING:** To reduce the risk of serious personal injury, turn tool off and remove the battery packs or power supply before transporting, making any adjustments, cleaning, repairing, or removing/installing attachments or accessories. An accidental start-up can cause injury.

### USE OF CUTLINE™ LED WORKLIGHT (FIG. 4)

**⚠ CAUTION:** Do not stare into worklight. Serious eye injury could result.

The CUTLINE™ LED Worklight can be turned on by the momentary switch (S). The light will automatically turn off within 20 seconds if the saw is not in use. The light is also activated automatically every time the tool's main trigger (B) is pulled.

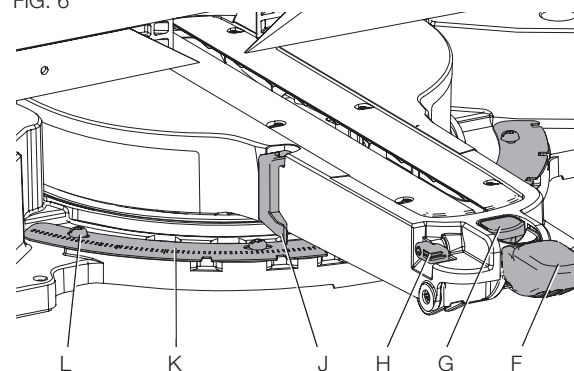
To cut through an existing pencil line on a piece of wood, turn on the CUTLINE™ worklight using the momentary switch (S) (not with the main trigger), then pull down on the operating handle (A) to bring the saw blade close to the wood. The shadow of the blade will appear on the wood. This shadow line represents the material that the blade will remove when performing a cut. To correctly locate your cut to the pencil line, align the pencil line with the edge of the blade's shadow. Keep in mind that you may have to adjust the miter or bevel angles in order to match the pencil line exactly.

Your saw is equipped with a battery monitoring feature. The CUTLINE™ worklight begins to flash when the battery is near the end of its useful charge and/or when the battery is too hot. Charge the battery prior to continuing cutting applications. Refer to **Charging Procedure** under **Important Safety Instructions for All Battery Packs** for battery charging instructions.

### MITER CONTROL (FIG. 6)

The miter lock lever and miter release button allow you to miter your saw to 60° right and 50° left. To miter the saw, lift the miter lock lever (F), push the miter release button (G) and move the miter arm to the angle desired on the miter scale (K) as shown at the miter scale pointer (J). Push down on the miter lock lever to lock the miter arm in place.

FIG. 6



### MITER DETENT OVERRIDE (FIG. 6)

The miter detent override lever (H) allows your saw to override the common stop angles (detents).

To override the detents, unlock the miter lock lever (F) by pulling upward. Push the miter detent override lever (H) up, and move the miter arm to the angle desired on the miter scale (K). Push down on the miter lock lever to lock the miter arm in place.

### BEVEL LOCK (FIG. 7)

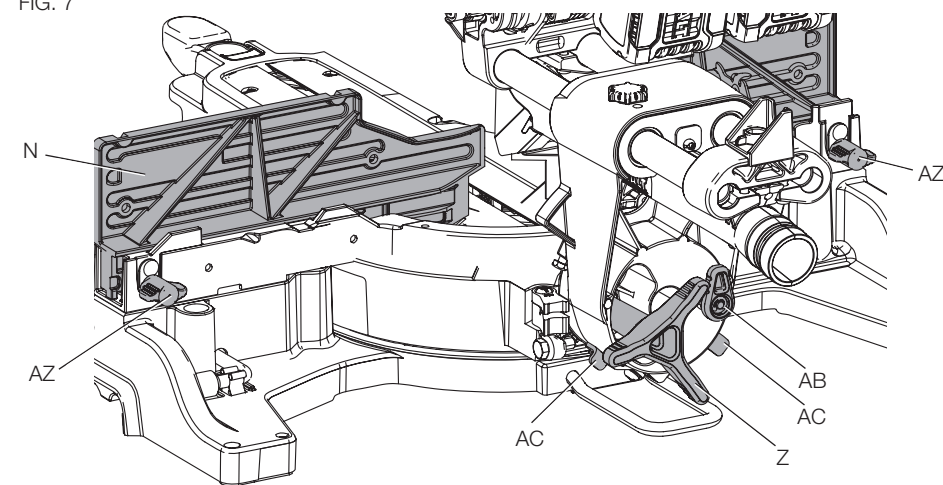
The bevel lock allows you to bevel the saw 49° left or right. To adjust the bevel setting, turn the bevel lock knob (Z) counterclockwise. The saw head will then bevel easily to the left or to the right. To tighten, turn the bevel lock knob clockwise.

### 0° BEVEL OVERRIDE (FIG. 7)

The bevel override allows you to bevel the saw to the right, past the 0° mark.

When the 0° bevel override lever (AB) is engaged (the lever will be turned up), the saw will automatically stop at 0° when brought up from the left. To move past 0° to the right, bevel the saw slightly to the left of 0°, then pull the 0° bevel override lever (AB) out. The saw head can now be beveled past 0° to the right. Lock the saw head at the desired angle by turning the bevel lock knob (Z) clockwise to tighten. The 0° bevel override lever can be locked out by twisting the lever so it faces down.

FIG. 7



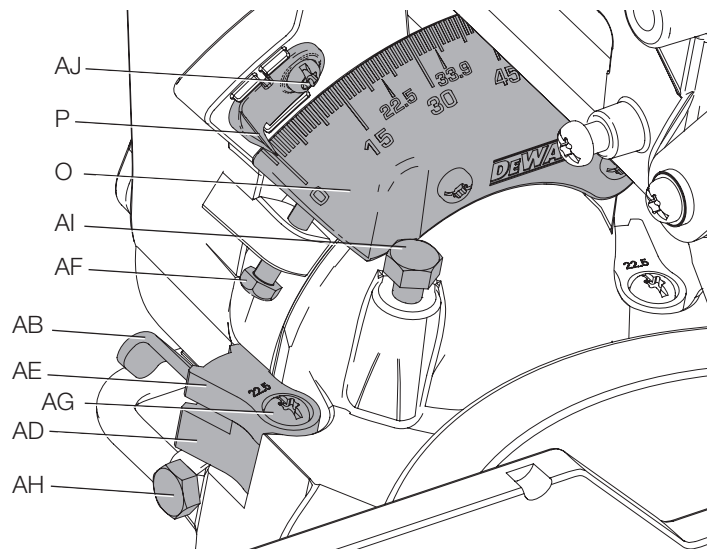
**45° BEVEL OVERRIDE (FIG. 7)**

There are two 45° bevel override levers (AC), one on each side of the saw. To bevel the saw, left or right, past 45°, push the 45° bevel override lever (AC) rearward. When in the rearward position, the saw can bevel past these stops. When the 45° stops are needed, pull the 45° bevel override lever forward.

**CROWN BEVEL PAWLS (FIG. 8)**

When cutting crown molding laying flat, your saw is equipped to accurately and rapidly set a crown stop, left or right (refer to *Instructions for Cutting Crown Molding Laying Flat and Using the Compound Features* under *Cutting Crown Molding*). The 33.9° crown bevel pawl (AD) can be rotated to contact the crown adjustment screw (AF). The saw is factory set to be used for typical crown in North America (52/38), but can be reversed to cut non-typical (45/45) crown. To reverse the 33.9° crown bevel pawl, remove the retaining screw (AG), the 22.5° bevel pawl (AE) and the 33.9° crown bevel pawl (AD). Flip the 33.9° crown bevel pawl so the 30° text is facing up. Reattach the screw to secure the 22.5° bevel pawl and the crown bevel pawl. The accuracy setting will not be affected.

FIG. 8

**22.5° BEVEL PAWLS (FIG. 8)**

Your saw is equipped to rapidly and accurately set a 22.5° bevel, left or right. The 22.5° bevel pawl (AE) can be rotated to contact the crown adjustment screw (AF).

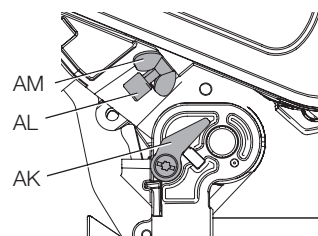
**RAIL LOCK KNOB (FIG. 4)**

The rail lock knob (V) allows you to lock the saw head firmly to keep it from sliding on the rails. This is necessary when making certain cuts or when transporting the saw.

**DEPTH STOP (FIG. 9)**

The depth stop allows the depth of cut of the blade to be limited. The stop is useful for applications such as grooving and tall vertical cuts. Rotate the depth stop (AK) forward and adjust the depth adjustment screw (AL) to set the desired depth of cut. To secure the adjustment, tighten the wing nut (AM). Rotating the depth stop to the rear of the saw will bypass the depth stop feature. If the depth adjustment screw is too tight to loosen by hand, the provided blade wrench can be used to loosen the screw.

FIG. 9

**SLIDE LOCK LEVER (FIG. 10)**

The slide lock lever (AN) places the saw in a position to maximize cutting of base molding when cut vertically as shown in Figure 25.

**AUTOMATIC ELECTRIC BLADE BRAKE**

Your saw is equipped with an automatic electric blade brake which stops the saw blade within 5 seconds of trigger release. This is not adjustable. On rare occasions the brake may not engage and the blade will coast to a stop. If this occurs, wait for several minutes before continuing use. If the condition persists, there may be a fault condition. Have the tool serviced by an authorized DEWALT service center.

Always be sure the blade has stopped before raising the arm and removing the blade from the kerf plate. The brake is not a substitute for guards. Ensure your own safety by giving the saw your complete attention.

**GUARD ACTUATION AND VISIBILITY**

**⚠CAUTION:** Pinch Hazard. To reduce the risk of injury, keep thumb underneath the handle when pulling the handle down. The lower guard will move up as the handle is pulled down which could cause pinching.

The blade guard on your saw has been designed to automatically raise when the arm is brought down and to lower over the blade when the arm is raised.

The guard can be raised by hand when installing or removing saw blades or for inspection of the saw. NEVER RAISE THE BLADE GUARD MANUALLY UNLESS THE SAW IS TURNED OFF.

**NOTE:** Certain special cuts of large material will require that you manually raise the guard. Refer to *Cutting Large Material* under *Special Cuts*.

The front section of the guard is louvered for visibility while cutting. Although the louvers dramatically reduce flying debris, they are openings in the guard and safety glasses should be worn at all times when viewing through the louvers.

**ASSEMBLY****Bench Mounting**

Mounting holes (E, Fig. 4) are provided in all 4 feet to facilitate bench mounting. (Two different-sized holes are provided to accommodate different sizes of screws. Use either hole, it is not necessary to use both.) Always mount your saw firmly to a stable surface to prevent movement. To enhance the tool's portability, it can be mounted to a piece of 1/2" (12.7 mm) or thicker plywood which can then be clamped to your work support or moved to other job sites and reclamped.

**NOTE:** If you elect to mount your saw to a piece of plywood, make sure that the mounting screws don't protrude from the bottom of the wood. The plywood must sit flush on the work support. When clamping the saw to any work surface, clamp only on the clamping bosses where the mounting screw holes are located. Clamping at any other point will interfere with the proper operation of the saw.

**⚠CAUTION:** To prevent binding and inaccuracy, be sure the mounting surface is not warped or otherwise uneven. If the saw rocks on the surface, place a thin piece of material under one saw foot until the saw sits firmly on the mounting surface.

**Changing or Installing a New Saw Blade (Fig. 11)**

**⚠WARNING:** To reduce the risk of serious personal injury, turn tool off and remove the battery packs or power supply before transporting, making any adjustments, cleaning, repairing, or removing/installing attachments or accessories. An accidental start-up can cause injury.

FIG. 10

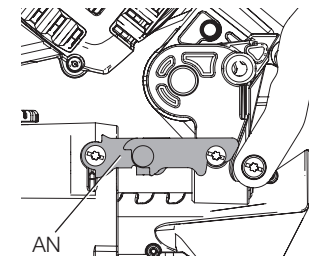
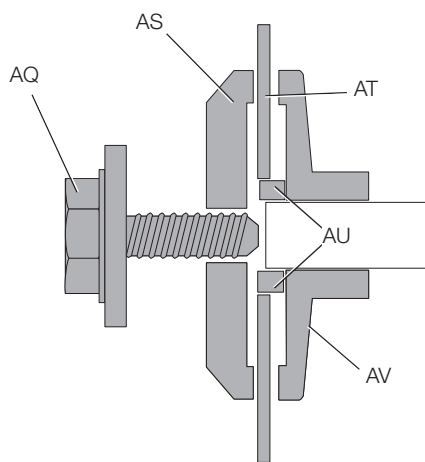
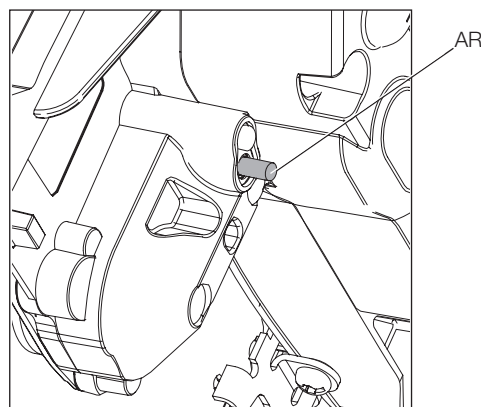
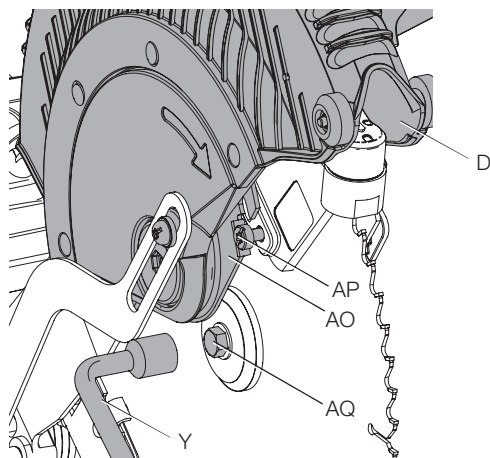




FIG. 11

**⚠ CAUTION:**

- Never depress the spindle lock button while the blade is under power or coasting.
- Do not cut ferrous metal (containing iron or steel) or masonry or fiber cement product with this miter saw.
- Do not use abrasive wheels or blades.

**REMOVING THE BLADE (FIG. 11)**

1. Remove the battery packs or power supply.
2. Raise the arm to the upper position and raise the lower guard (D) as far as possible.
3. Loosen, but do not remove guard bracket screw (AP) until the guard bracket (AO) can be raised far enough to access the blade screw (AQ) (with integral washer). Lower guard will remain raised due to the position of the guard bracket screw.
4. Depress the spindle lock button (AR) while carefully rotating the saw blade by hand until the lock engages.
5. Keeping the button depressed, use the other hand and the wrench provided (Y) to loosen the blade screw (AQ). (Turn clockwise, left-hand threads.)
6. Remove the blade screw (AQ), outer blade washer (AS) and blade (AT). The inner blade washer (AV), and if used, the 1" (25.4 mm) blade adapter (AU), may be left on the spindle.

**NOTE:** For blades with a blade hole of 5/8" (15.88 mm), the 1" (25.4 mm) blade adapter is not used.

**INSTALLING A BLADE (FIG. 11)**

1. Remove the battery packs or power supply.
2. With the arm raised, the lower guard (D) held open and the guard bracket (AO) raised, place the blade on the spindle, onto the blade adapter (if using a blade with a 1" [25.4 mm] diameter blade hole) and against the inner blade clamp with the teeth at the bottom of the blade pointing toward the back of the saw.
3. Assemble the outer clamp washer onto the spindle.
4. Install the blade screw (AQ) (with integral washer) and, engaging the spindle lock, tighten the screw firmly with wrench (Y) provided (turn counterclockwise, left-hand threads).

**NOTE:** When using blades with a 5/8" (15.88 mm) diameter blade hole, the blade adapter will not be used and should be stored in a safe place for future use. The separate blade adapter is not available on all models.

5. Return the guard bracket (AO) to its original position and firmly tighten the guard bracket screw (AP) to hold bracket in place.

**⚠ WARNING:** The guard bracket must be returned to its original position and the guard bracket screw tightened before activating the saw. Failure to do so may allow the guard to contact the spinning saw blade resulting in damage to the saw and severe personal injury.

**ADJUSTMENTS**

**⚠ WARNING:** To reduce the risk of serious personal injury, turn tool off and remove the battery packs or power supply before transporting, making any adjustments, cleaning, repairing, or removing/installing attachments or accessories.

An accidental start-up can cause injury.

Your miter saw is fully and accurately adjusted at the factory at the time of manufacture. If readjustment due to shipping and handling or any other reason is required, follow the instructions below to adjust your saw.

Once made, these adjustments should remain accurate. Take a little time now to follow these directions carefully to maintain the accuracy of which your saw is capable.

**MITER SCALE ADJUSTMENT (FIG. 6, 14)**

Unlock the miter lock lever (F), press the miter release button (G) and swing the miter arm until it locks at the 0° miter position. Do not lock the miter lock lever. Place a square against the saw's fence and blade, as shown in Figure 14. (Do not touch the tips of the blade teeth with the square. To do so will cause an inaccurate measurement.) If the saw blade is not exactly perpendicular to the fence, loosen the four screws (L) that hold the miter scale (K) and move the miter lock lever (F) and the scale left or right until the blade is perpendicular to the fence, as measured with the square. Retighten the four screws. Pay no attention to the reading of the miter pointer at this time.

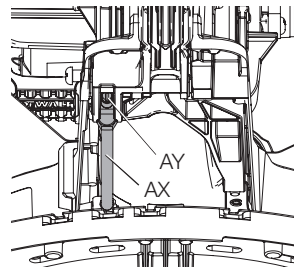
**MITER POINTER ADJUSTMENT (FIG. 6)**

Unlock the miter lock lever (F) to move the miter arm to the zero position. With the miter lock lever unlocked, allow the miter arm to snap into place as you rotate the miter arm to zero. Observe the miter pointer (J) and miter scale (K). If the pointer does not indicate exactly zero, loosen the miter pointer screw holding the pointer in place, reposition the pointer and tighten the screw.

**MITER LOCK ADJUSTMENT (FIG. 6, 12)**

The miter lock rod (AX) should be adjusted if the table of the saw can be moved when the miter lock lever (F) is locked (down). To adjust the miter lock, put the miter lock handle in the unlocked (up) position. Using a 1/2" open end wrench, loosen the lock nut (AY) on the miter lock rod (AX). Using a slotted screwdriver, tighten the miter lock rod by turning it clockwise. Turn the lock rod until it is snug, then turn counterclockwise one turn. To ensure the miter lock is functioning properly, re-lock the miter lock to a non-detented measurement on the miter scale – for example, 34° – and make sure the table will not rotate. Tighten lock nut.

FIG. 12

**BEVEL SQUARE TO TABLE ADJUSTMENT (FIG. 4, 8, 13)**

To align the blade square to the table, lock the arm in the down position with the lock down pin. Place a square against the blade, ensuring the square is not on top of a tooth. Loosen the bevel lock knob (F) and ensure the arm is firmly against the 0° bevel stop. Rotate the 0° bevel adjustment screw (AI, Fig. 8) with the 1/2" blade wrench as necessary so that the blade is at 0° bevel to the table.

FIG. 13

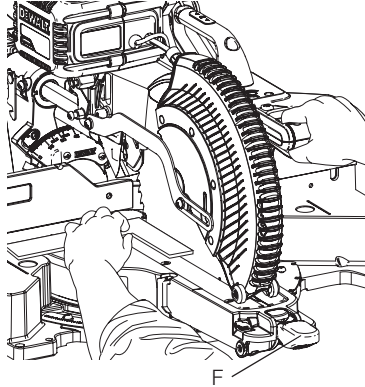
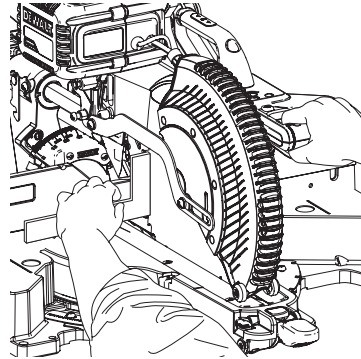


FIG. 14

**BEVEL POINTERS (FIG. 8)**

If the bevel pointers (P) do not indicate zero, loosen each bevel pointer screw (AJ) that holds each bevel pointer in place and move them as necessary. Ensure the 0° bevel is correct and the bevel pointers are set before adjusting any other bevel angle screws.

**BEVEL STOP 45° RIGHT AND LEFT ADJUSTMENT (FIG. 7, 8)**

There are two bevel stop override levers, one on each side of the saw.

To adjust the right 45° bevel angle, loosen the bevel lock knob (Z) and pull the 0° bevel override lever (AB) to override the 0° bevel stop. When the saw is fully to the right, if the bevel pointer (P) does not indicate exactly 45°, turn the left 45° bevel adjustment screw (AH) with the 1/2" blade wrench until the bevel pointer indicates 45°.

To adjust the left 45° bevel angle, first loosen the bevel lock knob (Z) and tilt the head to the left. If the bevel pointer (P) does not indicate exactly 45°, turn the right 45° bevel adjustment screw (AH) until the bevel pointer reads 45°.

**ADJUSTING THE BEVEL STOP TO 22.5° (OR 33.9°) (FIG. 7, 8)**

**NOTE:** Adjust the bevel angles only after performing the 0° bevel angle and bevel pointer adjustment.

To set the left 22.5° bevel angle, flip out the left 22.5° bevel pawl (AE). Loosen the bevel lock knob (Z) and tilt the head fully to the left. If the bevel pointer (P) does not indicate exactly 22.5°, turn the crown adjustment screw (AF) contacting the pawl with a 7/16" wrench until the bevel pointer reads 22.5°.

To adjust the right 22.5° bevel angle, flip out the right 22.5° bevel pawl (AE). Loosen the bevel lock knob (Z) and pull the 0° bevel override lever (AB) to override the 0° bevel stop. When the saw is fully to the right, if the bevel pointer (P) does not indicate exactly 22.5°, turn the crown adjustment screw (AF) contacting the pawl with a 7/16" wrench until the bevel pointer indicates exactly 22.5°.

**FENCE ADJUSTMENT (FIG. 7)**

**▲WARNING:** To reduce the risk of serious personal injury, turn tool off and remove the battery packs or power supply before transporting, making any adjustments, cleaning, repairing, or removing/installing attachments or accessories. An accidental start-up can cause injury.

In order that the saw can bevel to many bevel positions, one of the fences (N) may have to be adjusted to provide clearance. To adjust each fence, loosen the fence adjustment knob (AZ) and slide the fence (N) outward. Make a dry run with the saw turned off and check for clearance. Adjust the fence to be as close to the blade as practical to provide maximum workpiece support, without interfering with arm up and down movement. Tighten the fence adjustment knob (AZ) securely. When the bevel operations are complete, don't forget to relocate the fence.

For certain cuts, it may be desirable to bring the fences closer to the blade. To use this feature, back the fence adjustment knobs out two turns and move the fences closer to the blade past the normal limit, then tighten the fence adjustment knobs to keep the fences in this location. When using this feature, make a dry cut first to ensure the blade does not contact the fences.

**NOTE:** The tracks of the fences can become clogged with sawdust. If you notice that they are becoming clogged, use a brush or some low pressure air to clear the guide grooves.

**KERF PLATE ADJUSTMENT (FIG. 4)**

To adjust the kerf plates (I), loosen the screws holding the kerf plates in place. Adjust so that the kerf plates are as close as possible without interfering with the blade's movement.

If a zero kerf width is desired, adjust the kerf plates as close to each other as possible. They can now be cut slowly with the saw blade to give the smallest gap possible between the blade and the kerf plates.

**RAIL GUIDE ADJUSTMENT (FIG. 4)**

Periodically check the rails for any play or clearance. The right rail can be adjusted with the rail adjustment screw (W) shown in Figure 4. To reduce clearance, use a 4 mm hex wrench and rotate the rail adjustment screw clockwise gradually while sliding the saw head back and forth. Reduce play while maintaining minimum slide force.

**OPERATION**

**▲WARNING:** To reduce the risk of serious personal injury, turn tool off and remove the battery packs or power supply before transporting, making any adjustments, cleaning, repairing, or removing/installing attachments or accessories. An accidental start-up can cause injury.

**▲WARNING:** Always use eye protection. All users and bystanders must wear eye protection that conforms to ANSI Z87.1 (CAN/CSA Z94.3).

**▲WARNING:** To ensure the blade path is clear of obstructions, always make a dry run of the cut without power before making any cuts on the workpiece.



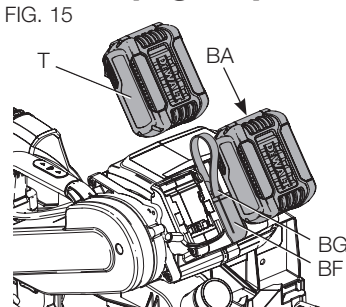
## Installing and Removing the Battery Packs (Fig. 15)

**NOTE:** For best results, make sure your battery packs are fully charged.

To install the battery packs (T) into the tool, align the battery packs with the rails on the side of the motor housing and slide them in until they are firmly seated in the tool and ensure that they do not disengage. Insert the dust cover (BG) into the corded power supply receptacle (BF) in between the batteries.

**NOTICE: Keep the dust cover in place whenever the corded power supply is not in use.**

To remove the battery packs from the tool, press the battery release button (BA) and firmly pull the battery packs out. Insert them into the charger as described in the charger section of this manual.



## Installing and Removing the Corded Power Supply into and from Tool (Fig. 16-18)

Before inserting the corded power supply into your tool, remove the end of the dust cover (BG) from the tool's corded power supply receptacle (BF). Pull the dust cover away from the tool's corded power supply receptacle so that it does not interfere with insertion of the corded power supply. Inspect the corded power supply receptacle for debris. Debris inside the receptacle can prevent the corded power supply from fully seating. If debris is present, clean it using low pressure air. Refer to Cleaning the Corded Power Supply Receptacle.

**NOTICE: The corded power supply is for AC power sources only when used with this tool. Use with DC power sources could result in damage to the tool.**

To install the corded power supply into your tool:

1. With the corded power supply unplugged, align its AC connector with the tool's corded power supply receptacle (BF) then snap into place.
2. Ensure that it is fully seated in the tool and does not disengage.
3. Attach the dust cover (BG) to the dust cover holder (BH Fig. 17) in the corded power supply.
4. Secure the cord clip (BD) into the tool's cord holder (BC, Fig. 18). Firmly press the clip into the holder.
5. With the tool turned off, plug the corded power supply into a standard 120V household electric power outlet. Do not attempt to use the corded power supply on any other voltage.
6. Use the tool according to the tool instructions, making sure the cord is located so that it will not be stepped on, tripped over, or otherwise subjected to damage or stress.

To remove the corded power supply from the tool, first unplug the corded power supply from the outlet, then press the release button (BE) and firmly pull the corded power supply out of the tool. Firmly press the end of the dust cover (BG) into the tool's corded power supply receptacle (BF).

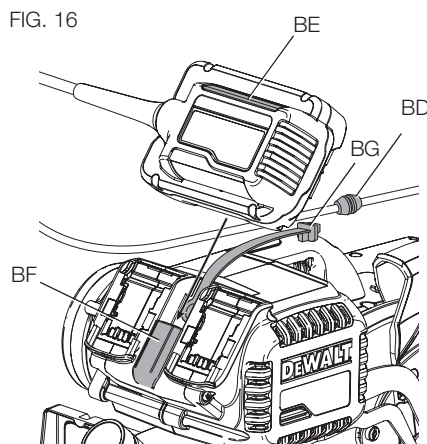


FIG. 17

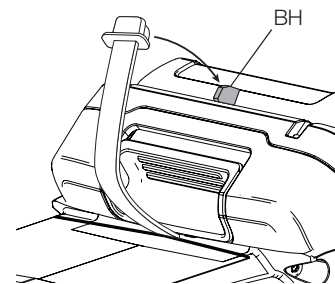
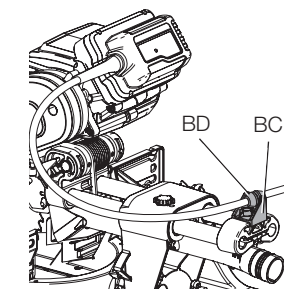


FIG. 18

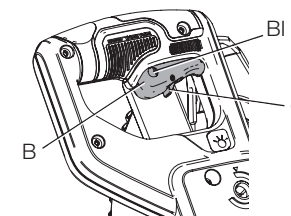


## Trigger Switch (Fig. 19)

To turn the saw on, push the lock-off button (C) to the left, then depress the trigger switch (B). The saw will run while the switch is depressed. Allow the blade to spin up to full operating speed before making the cut. To turn the saw off, release the switch. Allow the blade to stop before raising the saw head. There is no provision for locking the switch on. A hole (BI) is provided in the trigger for insertion of a padlock to lock the switch off.

Always be sure the blade has stopped before removing it from the kerf.

FIG. 19



## Body and Hand Position (Fig. 20A, 20B)

Proper positioning of your body and hands is crucial when operating the miter saw. Never place hands inside the cutting area between the two red lines on the base while the blade is turning. Clamp or hold the workpiece tightly to the table and the fence when cutting. Keep both hands in position until the trigger has been released and the blade has completely stopped. **ALWAYS MAKE DRY RUNS (UNPOWERED) BEFORE FINISH CUTS SO THAT YOU CAN CHECK THE PATH OF THE BLADE. DO NOT CROSS HANDS, AS SHOWN IN FIGURE 20B.**

Keep both feet firmly on the floor and maintain proper balance. As you move the miter arm left and right, follow it and stand slightly to the side of the saw blade. Sight through the guard louvers when following a pencil line.

## Cutting With Your Saw

**▲ WARNING: To reduce the risk of serious personal injury, turn tool off and remove the battery packs or power supply before transporting, making any adjustments, cleaning, repairing, or removing/installing attachments or accessories. An accidental start-up can cause injury.**

If the slide feature is not used, ensure the saw head is pushed back as far as possible and the rail lock knob (V, Fig. 4) is tightened. This will prevent the saw from sliding along its rails as the workpiece is engaged.

**NOTE:** Although this saw will cut wood and many non-ferrous materials, we will limit our detailed discussion to the cutting of wood only. The same guidelines apply to the other materials. **DO NOT CUT FERROUS (IRON AND STEEL) MATERIALS, MASONRY OR FIBER CEMENT WITH THIS SAW.** Do not use any abrasive blades.

**NOTE:** Refer to **Guard Actuation and Visibility** in the **Features and Controls** section for important information about the lower guard before cutting.

## QUALITY OF CUT

The smoothness of any cut depends on a number of variables. Things like material being cut, blade type, blade sharpness and rate of cut all contribute to the quality of the cut.

FIG. 20A

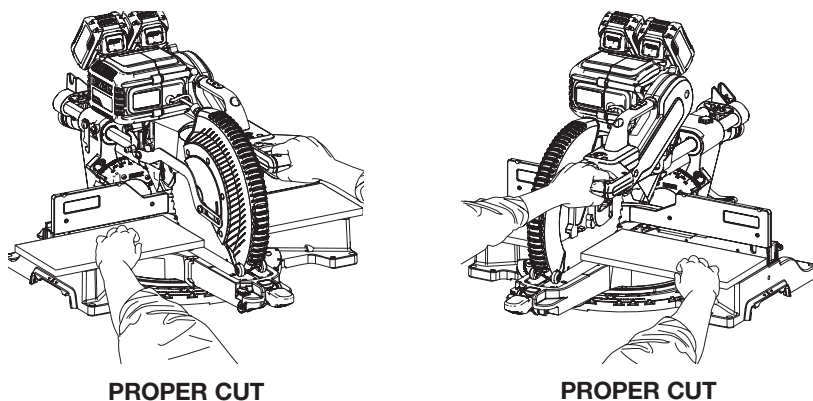
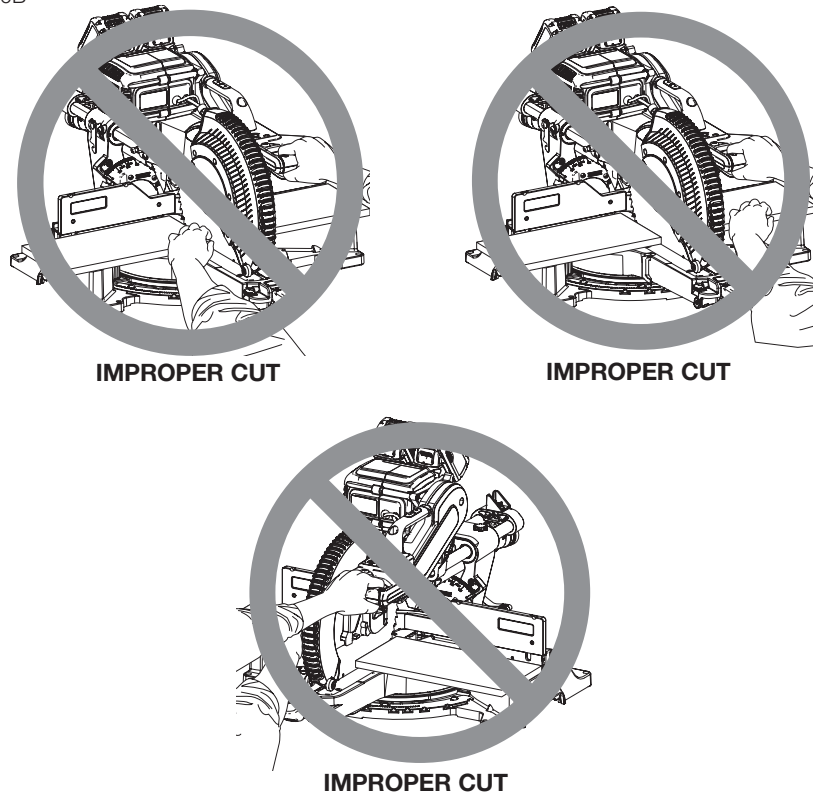


FIG. 20B



When smoothest cuts are desired for molding and other precision work, a sharp (60 tooth carbide) blade and a slower, even cutting rate will produce the desired results. Ensure that the material does not move or creep while cutting; clamp it securely in place. Always let the blade come to a full stop before raising arm.

If small fibers of wood still split out at the rear of the workpiece, stick a piece of masking tape on the wood where the cut will be made. Saw through the tape and carefully remove tape when finished.

For varied cutting applications, refer to the list of recommended saw blades for your saw and select the one that best fits your needs. Refer to **Saw Blades** under **Accessories**.

**CLAMPING THE WORKPIECE**

**⚠WARNING:** A workpiece that is clamped, balanced and secure before a cut may become unbalanced after a cut is completed. An unbalanced load may tip the saw or anything the saw is attached to, such as a table or workbench. When making a cut that may become unbalanced, properly support the workpiece and ensure the saw is firmly bolted to a stable surface. Personal injury may occur.

**⚠WARNING:** The clamp foot must remain clamped above the base of the saw whenever the clamp is used. Always clamp the workpiece to the base of the saw – not to any other part of the work area. Ensure the clamp foot is not clamped on the edge of the base of the saw.

**⚠CAUTION:** Always use a work clamp to maintain control and reduce the risk of workpiece damage and personal injury, if your hands are required to be within 6" (152 mm) of the blade during the cut.

If you cannot secure the workpiece on the table and against the fence by hand (irregular shape, etc.), or your hand would be less than 6" (152 mm) from the blade, a clamp or other fixture must be used.

Use the material clamp provided with your saw. To purchase the material clamp, contact your local retailer or DEWALT service center.

Other aids such as spring clamps, bar clamps or C-clamps may be appropriate for certain sizes and shapes of material. Use care in selecting and placing these clamps. Take time to make a dry run before making the cut. The left or right fence will slide from side to side to aid in clamping.

**TO INSTALL CLAMP**

1. Insert it into the hole (AA, Fig. 4) behind the fence. The clamp should be facing toward the back of the miter saw. The groove on the clamp rod should be fully inserted into the base. Ensure this groove is fully inserted into the base of the miter saw. If the groove is visible, the clamp will not be secure.
2. Rotate the clamp 180° toward the front of the miter saw.
3. Loosen the knob to adjust the clamp up or down, then use the fine adjust knob to firmly clamp the workpiece.

**NOTE:** Place the clamp on the opposite side of the base when beveling. ALWAYS MAKE DRY RUNS (UNPOWERED) BEFORE FINISH CUTS TO CHECK THE PATH OF THE BLADE. ENSURE THE CLAMP DOES NOT INTERFERE WITH THE ACTION OF THE SAW OR GUARDS.

**Support for Long Pieces**

**⚠WARNING:** To reduce the risk of serious personal injury, turn tool off and remove the battery packs or power supply before transporting, making any adjustments, cleaning, repairing, or removing/installing attachments or accessories. An accidental start-up can cause injury.

ALWAYS SUPPORT LONG PIECES.

Never use another person as a substitute for a table extension, as additional support for a workpiece that is longer or wider than the basic miter saw table or to help feed, support or pull the workpiece.

For best results, use the DW7080 extension work support to extend the table width of your saw, available from your dealer at extra cost. Support long workpieces using any convenient means such as sawhorses or similar devices to keep the ends from dropping.

#### CROSSCUTS (FIG. 4, 21)

A crosscut is made by cutting wood across the grain at any angle. A straight crosscut is made with the miter arm at the zero degree position. Set and lock the miter arm at zero, hold the wood firmly on the table and against the fence. With the rail lock knob (V) tightened, turn on the saw by squeezing the trigger switch shown in Figure 4.

When the saw comes up to speed (about 1 second) lower the arm smoothly and slowly to cut through the wood. Let the blade come to a full stop before raising arm.

When cutting anything larger than a 2 x 8 (51 x 203 mm [2 x 6 (51 x 152) at 45° miter]) use an out-down-back motion with the rail lock knob (V) loosened. Pull the saw out, toward you, lower the saw head down toward the workpiece, and slowly push the saw back to complete the cut. Do not allow the saw to contact the top of the workpiece while pulling out. The saw may run toward you, possibly causing personal injury or damage to the workpiece.

Cutting of multiple pieces is not recommended but can be done safely by ensuring that each piece is held firmly against the table and fence.

**NOTE:** To provide greater crosscut capacity with reduced stroke, the blade on the saw extends deeper into the table. As a result, a greater lifting force on the workpiece may be experienced during the cut.

**▲ CAUTION:** Always use a work clamp to maintain control and reduce the risk of workpiece damage and personal injury, if your hands are required to be within 6" (152 mm) of the blade during the cut.

**NOTE:** The rail lock knob (V) shown in Figure 4 must be loose to allow the saw to slide along its rails.

Miter crosscuts are made with the miter arm at some angle other than zero. This angle is often 45° for making corners, but can be set anywhere from zero to 50° left or 60° right. Make the cut as described above.

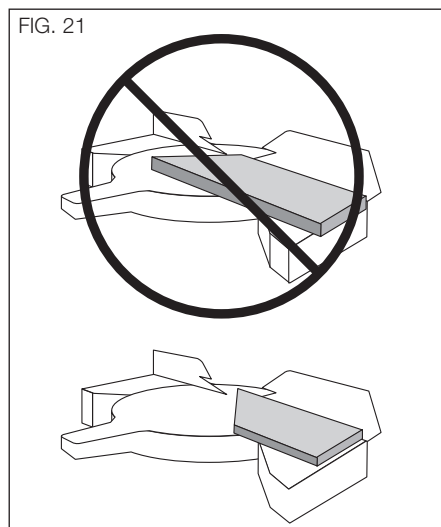
When performing a miter cut on workpieces wider than a 2 x 6 that are shorter in length, always place the longer side against the fence (Fig. 21).

To cut through an existing pencil line on a piece of wood, match the angle as close as possible. Cut the wood a little too long and measure from the pencil line to the cut edge to determine which direction to adjust the miter angle and recut. This will take some practice, but it is a commonly used technique.

#### BEVEL CUTS

A bevel cut is a crosscut made with the saw blade leaning at an angle to the wood. In order to set the bevel, loosen the bevel lock (V, Fig. 4), and move the saw to the left or right as desired. (It is necessary to move the fence to allow clearance.) Once the desired bevel angle has been set, tighten the bevel lock firmly. Refer to the **Features and Controls** section for detailed instructions on the bevel system.

Bevel angles can be set from 49° right to 49° left and can be cut with the miter arm set between 50° left or 60° right. At some extreme angles, the right or left side fence might have



to be removed. To remove the left or right fence, unscrew the fence adjustment knob several turns and slide the fence out.

**NOTE:** Refer to **Fence Adjustment** in the **Adjustments** section for important information on adjusting the fences for certain bevel cuts.

#### Cutting Picture Frames, Shadow Boxes And Other Four-Sided Projects (Fig. 22, 23)

To best understand how to make the items listed here, we suggest that you try a few simple projects using scrap wood until you develop a "feel" for your saw.

Your saw is the perfect tool for mitering corners like the one shown in Figure 22. Sketch A in Figure 23 shows a joint made by using the bevel adjustment to bevel the edges of the two boards at 45° each to produce a 90° corner. For this joint the miter arm was locked in the zero position and the bevel adjustment was locked at 45°. The wood was positioned with the broad flat side against the table and the narrow edge against the fence. The cut could also be made by mitering right and left with the broad surface against the fence.

FIG. 22

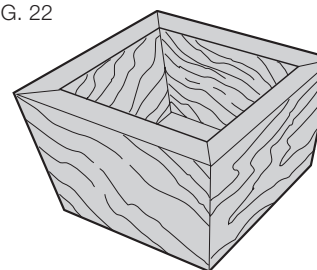
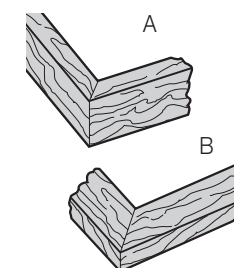


FIG. 23



#### Cutting Trim Molding And Other Frames (Fig. 23)

Sketch B in Figure 23 shows a joint made by setting the miter arm at 45° to miter the two boards to form a 90° corner. To make this type of joint, set the bevel adjustment to zero and the miter arm to 45°. Once again, position the wood with the broad flat side on the table and the narrow edge against the fence.

The two sketches in Figure 23 are for four-sided objects only.

As the number of sides changes, so do the miter and bevel angles. The chart below gives the proper angles for a variety of shapes.

#### – EXAMPLES –

NUMBER OF SIDES	MITER OR BEVEL ANGLE
4	45°
5	36°
6	30°
7	25.7°
8	22.5°
9	20°
10	18°

The chart assumes that all sides are of equal length. For a shape that is not shown in the chart, use the following formula: 180° divided by the number of sides equals the miter (if the material is cut vertically) or bevel angle (if the material is cut laying flat).



**Cutting Compound Miters (Fig. 24)**

A compound miter is a cut made using a miter angle and a bevel angle at the same time. This is the type of cut used to make frames or boxes with slanting sides like the one shown in Figure 24.

**NOTE:** If the cutting angle varies from cut to cut, check that the bevel lock knob and the miter lock handle are securely locked. These must be locked after making any changes in bevel or miter.

The chart at the end of this manual (Table 1) will assist you in selecting the proper bevel and miter settings for common compound miter cuts. To use the chart, select the desired angle A (Fig. 24) of your project and locate that angle on the appropriate arc in the chart. From that point follow the chart straight down to find the correct bevel angle and straight across to find the correct miter angle.

Set your saw to the prescribed angles and make a few trial cuts. Practice fitting the cut pieces together until you develop a feel for this procedure and feel comfortable with it.

**Example:** To make a 4-sided box with 26° exterior angles (Angle A, Fig. 24), use the upper right arc. Find 26° on the arc scale. Follow the horizontal intersecting line to either side to get miter angle setting on saw (42°). Likewise, follow the vertical intersecting line to the top or bottom to get the bevel angle setting on the saw (18°). Always try cuts on a few scrap pieces of wood to verify the settings on the saw.

**Cutting Base Molding (Fig. 25)**

ALWAYS MAKE A DRY RUN WITHOUT POWER BEFORE MAKING ANY CUTS.

Straight 90° cuts:

Position the wood against the fence and hold it in place as shown in Figure 25. Turn on the saw, allow the blade to reach full speed and lower the arm smoothly through the cut.

**CUTTING BASE MOLDING FROM 3" UP TO 6.75" (76 mm to 171 mm) HIGH VERTICALLY AGAINST THE FENCE**

**NOTE:** Use the slide lock lever (AN), shown in Figure 10, when cutting base molding measuring from 3" to 6.75" (76 mm to 171 mm) high vertically against the fence. Position material as shown in Figure 25.

FIG. 25

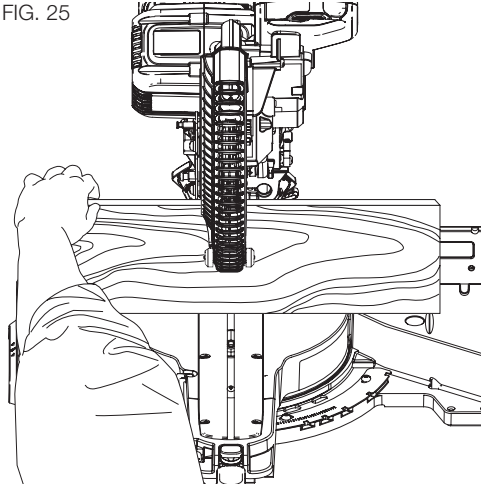
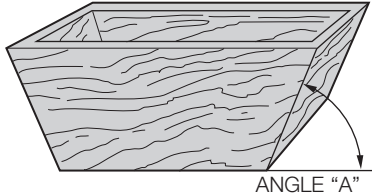


FIG. 24



All cuts should be made with the back of the molding against the fence and with the bottom of the molding against the table.

	INSIDE CORNER	OUTSIDE CORNER
Left side	Miter left 45° Save left side of cut	Miter right 45° Save left side of cut
Right side	Miter right 45° Save right side of cut	Miter left 45° Save right side of cut

Material up to 6.75" (171 mm) can be cut as described above.

**Cutting Crown Molding**

Your miter saw is well suited to the task of cutting crown molding. In order to fit properly, crown molding must be compound mitered with extreme accuracy.

The two flat surfaces on a given piece of crown molding are at angles that, when added together, equal exactly 90°. Most, but not all, crown molding has a top rear angle (the section that fits flat against the ceiling) of 52° and a bottom rear angle (the part that fits flat against the wall) of 38°.

Your miter saw has special pre-set miter latch points at 31.62° left and right for cutting crown molding at the proper angle and bevel stop pawls at 33.9° left and right. There is also a mark on the bevel scale at 33.9°.

The chart below gives the proper settings for cutting crown molding. (The numbers for the miter and bevel settings are very precise and are not easy to accurately set on your saw.) Since most rooms do not have angles of precisely 90°, you will have to fine tune your settings anyway.

**PRETESTING WITH SCRAP MATERIAL IS EXTREMELY IMPORTANT!**

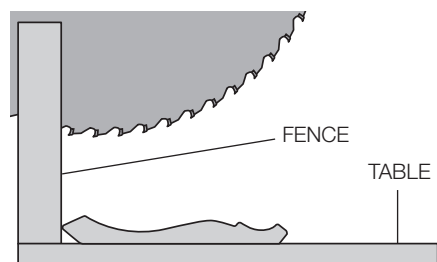
**INSTRUCTIONS FOR CUTTING CROWN MOLDING LAYING FLAT AND USING THE COMPOUND FEATURES (FIG. 26)**

1. Molding should lay flat with broad back surface down on saw table (Fig. 26).
2. Top of molding against fence.
3. The settings below are for all standard (U.S.) crown molding with 52° and 38° angles.

	INSIDE CORNER	OUTSIDE CORNER
Left side	Bevel left 33.9° Miter table set at right 31.62° Save left end of cut	Bevel right 33.9° Miter table set at left 31.62° Save left end of cut
Right side	Bevel right 33.9° Miter table set at left 31.62° Save right end of cut	Bevel left 33.9° Miter table set at right 31.62° Save right end of cut

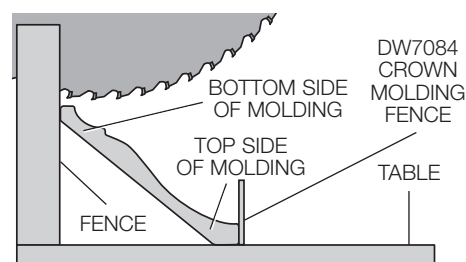
When setting bevel and miter angles for all compound miters, remember that: The angles presented for crown moldings are very precise and difficult to set exactly. Since they can easily shift slightly and very few rooms have exactly square corners, all settings should be tested on scrap molding.

FIG. 26



CROWN MOLDING FLAT ON TABLE AND AGAINST FENCE

FIG. 27



CROWN MOLDING BETWEEN FENCE AND TABLE

**PRETESTING WITH SCRAP MATERIAL IS EXTREMELY IMPORTANT!**

**ALTERNATIVE METHOD FOR CUTTING CROWN MOLDING (FIG. 27)**

Place the molding on the table at an angle between the fence and the saw table, as shown in Figure 27. Use of the crown molding fence accessory (DW7084) is highly recommended because of its degree of accuracy and convenience (Refer to **Optional Accessories**). The crown molding fence accessory is available for purchase from your local dealer.

The advantage to cutting crown molding using this method is that no bevel cut is required. Minute changes in the miter angle can be made without affecting the bevel angle. This way, when corners other than 90° are encountered, the saw can be quickly and easily adjusted for them. Use the crown molding fence accessory to maintain the angle at which the molding will be on the wall.

**INSTRUCTIONS FOR CUTTING CROWN MOLDING ANGLED BETWEEN THE FENCE AND BASE OF THE SAW FOR ALL CUTS**

1. Angle the molding so the bottom of the molding (part which goes against the wall when installed) is against the fence and the top of the molding is resting on the saw table, as shown in Figure 27.
2. The angled “flats” on the back of the molding must rest squarely on the fence and saw table.

	INSIDE CORNER	OUTSIDE CORNER
Left side	Miter right at 45° Save right side of cut	Miter left at 45° Save right side of cut
Right side	Miter left at 45° Save left side of cut	Miter right at 45° Save left side of cut

**Special Cuts**

**NEVER MAKE ANY CUT UNLESS THE MATERIAL IS SECURED ON THE TABLE AND AGAINST THE FENCE.**

**ALUMINUM CUTTING (FIG. 28, 29)**

ALWAYS USE THE APPROPRIATE SAW BLADE MADE ESPECIALLY FOR CUTTING ALUMINUM. These are available at your local DEWALT retailer or DEWALT service center.

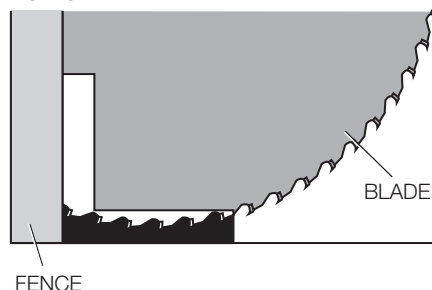
Certain workpieces, due to their size, shape or surface finish, may require the use of a clamp or fixture to prevent movement during the cut. Position the material so that you will be cutting the thinnest cross section, as shown in Figure 28. Figure 29 illustrates the wrong way to cut these extrusions.

Use a stick wax cutting lubricant when cutting aluminum. Apply the stick wax cutting lubricant directly to the saw blade before cutting. Never apply stick wax to a moving blade. The wax, available at most hardware stores and industrial mill supply houses, provides proper lubrication and keeps chips from adhering to the blade.

Be sure to properly secure workpiece.

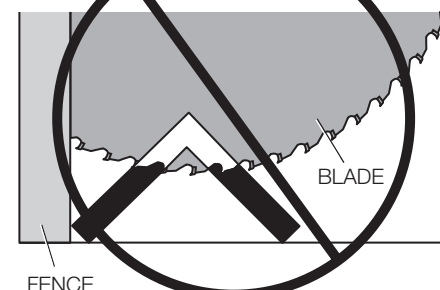
Refer to **Saw Blades** under **Optional Accessories** for correct saw blade.

FIG. 28



CORRECT

FIG. 29

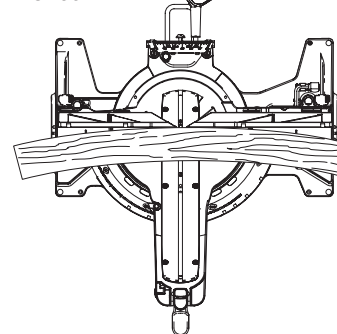


INCORRECT

**BOWED MATERIAL (FIG. 30, 31)**

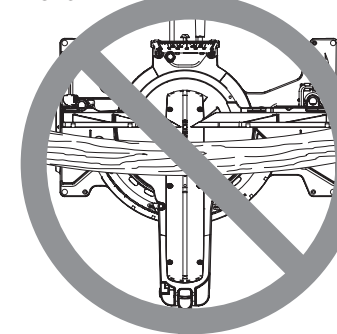
When cutting bowed material always position it as shown in Figure 30 and never like that shown in Figure 31. Positioning the material incorrectly will cause it to pinch the blade near the completion of the cut.

FIG. 30



CORRECT

FIG. 31



INCORRECT

**CUTTING PLASTIC PIPE OR OTHER ROUND MATERIAL**

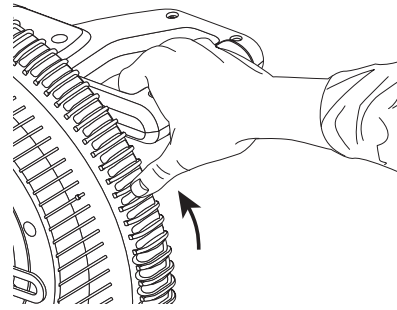
Plastic pipe can be easily cut with your saw. It should be cut just like wood and **CLAMPED OR HELD FIRMLY TO THE FENCE TO KEEP IT FROM ROLLING**. This is extremely important when making angle cuts.



### CUTTING LARGE MATERIAL (FIG. 32)

Occasionally you will encounter a piece of wood a little too large to fit beneath the lower guard. If this occurs, simply place your right thumb on the upper side of the guard and roll the guard up just enough to clear the workpiece, as shown in Figure 32. Avoid doing this as much as possible, but if need be, the saw will operate properly and make the bigger cut. NEVER TIE, TAPE, OR OTHERWISE HOLD THE GUARD OPEN WHEN OPERATING THIS SAW.

FIG. 32



### SPECIAL SET-UP FOR WIDE CROSSCUTS (FIG. 33, 34)

Your saw can cut very wide (up to 16.1" [409 mm]) workpieces when a special set-up is used. To set the saw up for these workpieces, follow these steps:

1. Remove both left and right sliding fences from the saw and set aside. To remove them, unscrew the fence adjustment knobs several turns and slide each fence outward. Adjust and lock the miter control so that it is at 0° miter.
2. Make a platform using a piece of 1.5" (38 mm) thick particleboard or similar flat strong 1.5" thick wood to the dimensions: 14.5" x 26" (368 x 660 mm). The platform must be flat, otherwise the material could move during cutting and cause injury.
3. Mount the 14.5" x 26" (368 x 660 mm) platform to the saw using four 3" (76.2 mm) long wood screws through the holes in the base fence (Fig. 33). Four screws must be used to properly secure the material. When the special set-up is used, the platform will be cut into two pieces. Ensure the screws are tightened properly, otherwise material could loosen and cause injury. Ensure the platform is firmly flat on the table, against the fence, and centered evenly from left to right.

FIG. 33

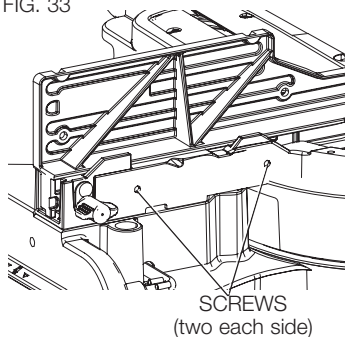
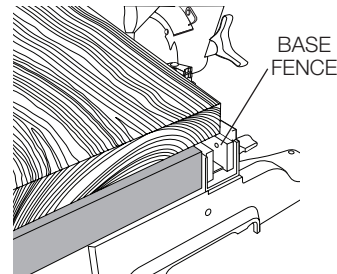


FIG. 34



**⚠ WARNING:** Ensure the saw is mounted firmly to a stable flat surface. Failure to do so could cause the saw to be unstable and fall causing personal injury.

4. Place the workpiece to be cut on top of the platform mounted to the table. Ensure the workpiece is firmly against the back of the base fence (Fig. 34).
5. Secure the material before cutting. Cut slowly through the material using a out-down-and-back motion. Failure to clamp securely or cut slowly could result in the material coming loose and causing injury.

After several cuts are made at various miter angles other than 0°, the platform may weaken and not properly support the work. Install a new, unused platform to the saw after presetting the desired miter angle.

**⚠ CAUTION:** Continued use of a platform with several kerfs may cause loss of material control and possible injury.

### MAINTENANCE

**⚠ WARNING:** To reduce the risk of serious personal injury, turn tool off and remove the battery packs or power supply before transporting, making any adjustments, cleaning, repairing, or removing/installing attachments or accessories. An accidental start-up can cause injury.

**⚠ WARNING:** To reduce the risk of serious personal injury, DO NOT touch the sharp points on the blade with fingers or hands while performing any maintenance.

DO NOT use lubricants or cleaners (particularly spray or aerosol) in the vicinity of the plastic guard. The polycarbonate material used in the guard is subject to attack by certain chemicals.

- All bearings are sealed. They are lubricated for life and need no further maintenance.
- Periodically clean all dust and wood chips from around AND UNDER the base and the rotary table. Even though slots are provided to allow debris to pass through, some dust will accumulate.
- The brushes are designed to give you several years of use. If they ever need replacement, return the tool to the nearest service center for repair.

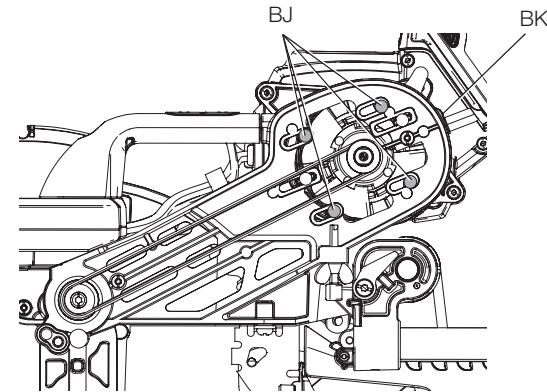
### Removing and Replacing Belt (Fig. 4, 35)

The belt is designed to last the life of the tool. However, abuse of the tool could cause the belt to fail.

If the blade does not turn when the motor is running, the belt has failed. To inspect or replace the belt, remove the belt cover screws. Remove the belt cover. Inspect the ribs of the belt for wear or failure. Check belt tension by squeezing the belt. The belt halves should almost touch when squeezing firmly with the thumb and index finger. To adjust the tension, loosen, but do not remove, the four crosshead screws (BJ). Then rotate the set screw (BK) on the top of the motor plate casting until the proper tension is achieved. Tighten the four screws securely and replace the belt cover.

**NOTICE:** Overtightening the belt will cause premature motor failure.

FIG. 35



### Cleaning

**⚠ WARNING:** Blow dirt and dust out of all air vents and guard mechanisms (if applicable) with clean, dry air at least once a week. To minimize the risk of eye injury, always wear ANSI Z87.1 approved eye protection and respiratory protection when performing this.

**⚠ WARNING:** Never use solvents or other harsh chemicals for cleaning the non-metallic parts of the tool. These chemicals may weaken the plastic materials used in these parts. Use a cloth dampened only with water and mild soap. Never let any liquid get inside the tool; never immerse any part of the tool into a liquid.

### CLEANING THE DEWALT CORDED POWER SUPPLY

**▲WARNING:** Never use solvents or other harsh chemicals for cleaning the non-metallic parts of the tool. These chemicals may weaken the plastic materials used in these parts. Use a cloth dampened only with water and mild soap. Never let any liquid get inside the tool; never immerse any part of the tool into a liquid.

### CLEANING THE CORDED POWER SUPPLY RECEPTACLE

**▲WARNING:** Blow debris out of the corded power supply receptacle (BF) with clean, dry air. To minimize the risk of eye injury, always wear ANSI Z87.1 approved eye protection and respiratory protection when performing this.

### DUST DUCT CLEANING

Depending on your cutting environment, saw dust can clog the dust duct and may prevent dust from flowing away from the cutting area properly. With the battery pack or corded power supply removed and the saw head raised fully, low pressure air or a large diameter dowel rod can be used to clear the dust out of the dust duct.

### CUTLINE™ LED WORKLIGHT CLEANING

For the best worklight performance, perform the following maintenance regularly with the battery or corded power supply removed.

- Carefully clean sawdust and debris from worklight lens with a cotton swab.
- DO NOT use solvents of any kind, they may damage the lens.
- Dust build-up can block the worklight and prevent it from accurately indicating the line of cut.
- Follow miter saw's instruction manual to remove and install blade.
- With blade removed from saw, clean pitch and build-up from blade. Pitch and debris can interfere with the worklight and prevent it from accurately indicating the line of cut.

### Accessories

**▲WARNING:** Since accessories, other than those offered by DEWALT, have not been tested with this product, use of such accessories with this tool could be hazardous. To reduce the risk of injury, only DEWALT recommended accessories should be used with this product.

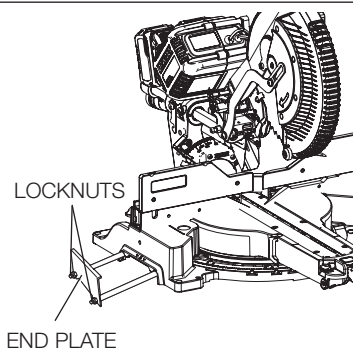
Recommended accessories for use with your tool are available at extra cost from your local dealer or authorized service center. If you need assistance in locating any accessory, please contact DEWALT Industrial Tool Co., 701 East Joppa Road, Towson, MD 21286, call 1-800-4-DEWALT (1-800-433-9258) or visit our website: [www.dewalt.com](http://www.dewalt.com).

### OPTIONAL ACCESSORIES

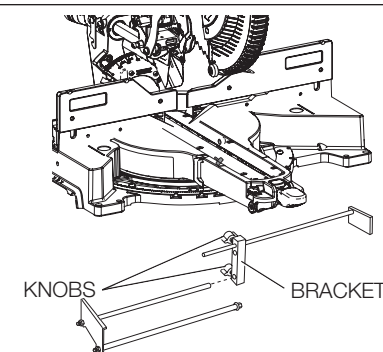
The following accessories, designed for your saw, may be helpful. In some cases, other locally obtained work supports, length stops, clamps, etc., may be more appropriate. Use care in selecting and using accessories.

Extension  
Work Support:  
DW7080

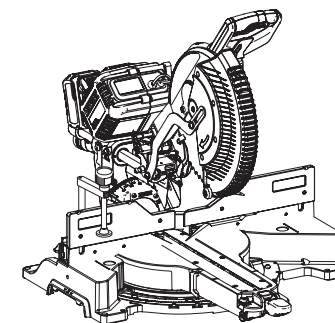
Used to support long overhanging work pieces, the work support is user assembled. Your saw base is designed to accept two work supports, one on each side.



Adjustable Length  
Stop: DW7051  
Requires the use of one Extension Work Support (DW7080). It is used to make repetitive cuts of the same length from 0 to 42" (107 cm).



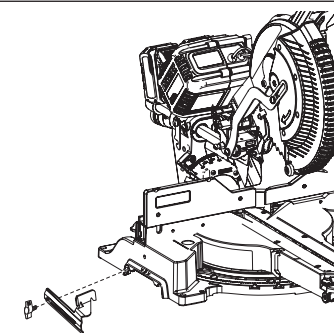
Clamp: DW7082  
(similar model  
included)  
Used for firmly clamping  
workpiece to the saw  
table for precision cutting.



Dust Bag:  
DW7053  
(included with  
some models)  
Equipped with a zipper  
for easy emptying, the  
dust bag will capture the  
majority of the sawdust  
produced.



Crown Molding  
Fence: DW7084  
Used for precision cutting  
of crown molding.



**SAW BLADES:** ALWAYS USE 12" (305 mm) SAW BLADES WITH EITHER 1" (25.4 mm) OR 5/8" (15.88 mm) ARBOR HOLES. SPEED RATING MUST BE AT LEAST 4800 RPM. Never use a smaller diameter blade. It will not be guarded properly. Use crosscut blades only! Do not use blades designed for ripping, combination blades or blades with hook angles in excess of 7°.

BLADE DESCRIPTIONS		
APPLICATION	DIAMETER	TEETH
<b>Construction Saw Blades</b> ( <i>thin kerf with anti-stick rim</i> )		
General Purpose	12" (305 mm)	40
Fine Crosscuts	12" (305 mm)	60
<b>Woodworking Saw Blades</b> ( <i>provide smooth, clean cuts</i> )		
Fine crosscuts	12" (305 mm)	80
Non-ferrous metals	12" (305 mm)	96

**NOTE:** For cutting non-ferrous metals, use only saw blades with TCG (Triple Chip Grind) teeth designed for this purpose.

## Repairs

The charger, power supply and battery pack are not serviceable. There are no serviceable parts inside the charger, power supply and battery pack.

**▲WARNING:** To assure product SAFETY and RELIABILITY, repairs, maintenance and adjustment (including brush inspection and replacement) should be performed by a DeWALT factory service center or a DeWALT authorized service center. Always use identical replacement parts.

## Service Information

Please have the following information available for all service calls:

Model Number \_\_\_\_\_ Serial Number \_\_\_\_\_

Date and Place of Purchase \_\_\_\_\_

## Register Online

Thank you for your purchase. Register your product now for:

- **WARRANTY SERVICE:** Registering your product will help you obtain more efficient warranty service in case there is a problem with your product.
- **CONFIRMATION OF OWNERSHIP:** In case of an insurance loss, such as fire, flood or theft, your registration of ownership will serve as your proof of purchase.
- **FOR YOUR SAFETY:** Registering your product will allow us to contact you in the unlikely event a safety notification is required under the Federal Consumer Safety Act.

Register online at [www.dewalt.com/register](http://www.dewalt.com/register).

## Three Year Limited Warranty

DeWALT will repair, without charge, any defects due to faulty materials or workmanship for three years from the date of purchase. This warranty does not cover part failure due to normal wear or tool abuse. For further detail of warranty coverage and warranty repair information, visit [www.dewalt.com](http://www.dewalt.com) or call 1-800-4-DeWALT (1-800-433-9258). This warranty does not apply to accessories or damage caused where repairs have been made or attempted by others. This warranty gives you specific legal rights and you may have other rights which vary in certain states or provinces.

In addition to the warranty, DeWALT tools are covered by our:

### 1 YEAR FREE SERVICE

DeWALT will maintain the tool and replace worn parts caused by normal use, for free, any time during the first year after purchase.

### 2 YEARS FREE SERVICE ON DeWALT BATTERY PACKS

DC9071, DC9091, DC9096, DC9182, DC9280, DC9360, DCB120, DCB127, DCB201, DCB203, DCB203BT, DCB207, DCB361

### 3 YEARS FREE SERVICE ON DeWALT BATTERY PACKS

DCB200, DCB204, DCB204BT, DCB205, DCB606

### DeWALT BATTERY PACKS

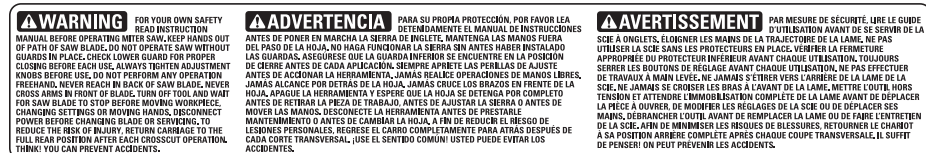
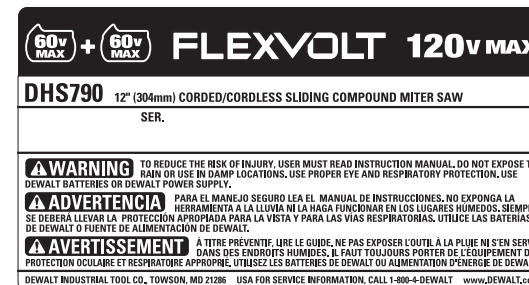
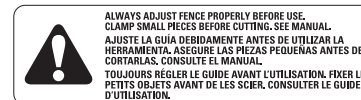
Product warranty voided if the battery pack is tampered with in any way. DeWALT is not responsible for any injury caused by tampering and may prosecute warranty fraud to the fullest extent permitted by law.

### 90 DAY MONEY BACK GUARANTEE

If you are not completely satisfied with the performance of your DeWALT Power Tool, Laser, or Nailer for any reason, you can return it within 90 days from the date of purchase with a receipt for a full refund – no questions asked.

**LATIN AMERICA:** This warranty does not apply to products sold in Latin America. For products sold in Latin America, see country specific warranty information contained in the packaging, call the local company or see website for warranty information.

**FREE WARNING LABEL REPLACEMENT:** If your warning labels become illegible or are missing, call 1-800-4-DeWALT (1-800-433-9258) for a free replacement.



## Troubleshooting Guide

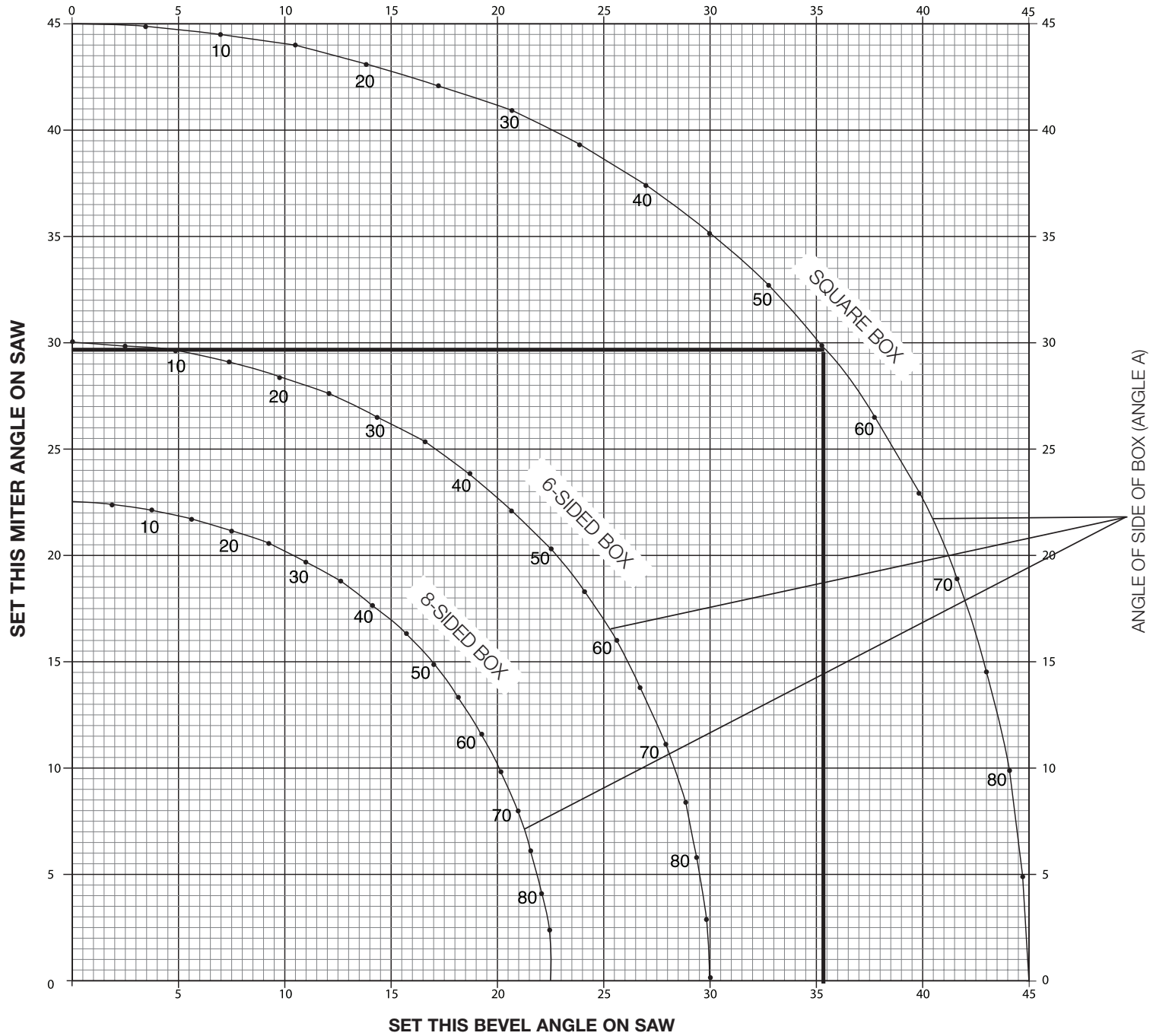
BE SURE TO FOLLOW SAFETY RULES AND INSTRUCTIONS

TROUBLE!	WHAT'S WRONG?	WHAT TO DO
<b>Saw will not start</b>	1. Battery or power supply not installed	1. Install battery or power supply. Refer to <b>Installing and Removing the Battery Packs</b> or <b>Installing and Removing DEWALT Corded Power Supply</b> .
	2. Battery or power supply not fully inserted	2. Check that battery or power supply are fully latched. Check AC adapter plug in the motor housing for debris. Refer to <b>DEWALT Corded Power Supply Cleaning Instructions</b> .
	3. Batteries not charged	3. Charge batteries. Refer to <b>Charging Procedure</b> .
	4. Power supply not plugged in	4. Plug in saw.
	5. Cord damaged	5. Have cord replaced by authorized service center.
	6. Fuse blown or breaker tripped	6. Replace fuse or reset circuit breaker.
	7. Saw overheated	7. Wait several minutes for saw to cool.
	8. Batteries overheated	8. Wait several minutes for batteries to cool.
<b>Saw makes unsatisfactory cuts</b>	1. Dull blade	1. Replace blade. Refer to <b>Changing or Installing a New Saw Blade</b> .
	2. Blade mounted backwards	2. Turn blade around. Refer to <b>Changing or Installing a New Saw Blade</b> .
	3. Gum or pitch on blade	3. Remove blade and clean with turpentine and coarse steel wool or household oven cleaner.
	4. Incorrect blade for work being done	4. Change the blade type. Refer to <b>Saw Blades</b> under <b>Accessories</b> .
<b>Blade does not come up to speed</b>	1. Extension cord too light or too long	1. Replace with adequate size cord. Refer to <b>Use Proper Extension Cord</b> under <b>Important Safety Instructions</b> .
	2. Low house current	2. Contact your electric company.
<b>Machine vibrates excessively</b>	1. Saw not mounted securely to stand or work bench	1. Tighten all mounting hardware. Refer to <b>Bench Mounting</b> .
	2. Stand or bench on uneven floor	2. Reposition on flat level surface. Refer to <b>Familiarization</b> .
	3. Damaged saw blade	3. Replace blade. Refer to <b>Changing or Installing a New Saw Blade</b> .
<b>Does not make accurate miter cuts</b>	1. Miter scale not adjusted correctly	1. Check and adjust. Refer to <b>Miter Scale Adjustment</b> under <b>Adjustments</b> .
	2. Miter pointer not adjusted correctly	2. Check and adjust. Refer to <b>Miter Pointer Adjustment</b> under <b>Adjustments</b> .
	3. Workpiece is not perpendicular to table	3. Check and adjust fence. Refer to <b>Fence Adjustment</b> under <b>Adjustments</b> .
	4. Workpiece moving	4. Clamp workpiece securely to fence or glue 120 grit sandpaper to fence with rubber cement.
<b>Material pinches blade</b>	1. Cutting bowed material	1. Refer to <b>Bowed Material</b> under <b>Special Cuts</b> .
<b>CUTLINE™ worklight flashing</b>	1. Battery low on charge	1. Charge batteries. Refer to <b>Charging the Battery</b> .
	2. Battery hot	2. Wait several minutes for batteries to cool.



**TABLE 1: COMPOUND MITER CUT**

(POSITION WOOD WITH BROAD FLAT SIDE ON THE TABLE AND THE NARROW EDGE AGAINST THE FENCE)





## Définitions : symboles et termes d'alarmes sécurité

Ces guides d'utilisation utilisent les symboles et termes d'alarmes sécurité suivants pour vous prévenir de situations dangereuses et de risques de dommages corporels ou matériels.

**⚠ DANGER :** indique une situation dangereuse imminente qui, si elle n'est pas évitée, entraînera la mort ou des blessures graves.

**⚠ AVERTISSEMENT :** indique une situation potentiellement dangereuse qui, si elle n'est pas évitée, pourrait entraîner la mort ou des blessures graves.

**⚠ ATTENTION :** indique une situation potentiellement dangereuse qui, si elle n'est pas évitée, pourrait entraîner des blessures légères ou modérées.

**⚠ (Si utilisé sans aucun terme) Indique un message propre à la sécurité.**

**AVIS :** indique une pratique ne posant aucun risque de dommages corporels mais qui par contre, si rien n'est fait pour l'éviter, pourrait poser des risques de dommages matériels.

POUR TOUTE QUESTION OU REMARQUE AU SUJET DE CET OUTIL OU DE TOUT AUTRE OUTIL DEWALT, COMPOSEZ LE NUMÉRO SANS FRAIS : 1-800-4-DEWALT (1-800-433-9258).



**AVERTISSEMENT :** afin de réduire le risque de blessures, lire le mode d'emploi de l'outil.

## Avertissements de sécurité généraux pour les outils électriques

**⚠ AVERTISSEMENT !** Lire toutes les consignes de sécurité, les directives, les illustrations et les caractéristiques techniques fournies avec cet outil électrique. Tout manquement aux directives suivantes pose des risques de chocs électriques, d'incendie et/ou de dommages corporels graves.

### CONSERVER TOUS LES AVERTISSEMENTS ET TOUTES LES DIRECTIVES POUR UN USAGE ULTÉRIEUR

Le terme « outil électrique » cité dans les avertissements se rapporte à votre outil électrique à alimentation sur secteur (avec fil) ou par piles (sans fil).

#### 1) SÉCURITÉ DU LIEU DE TRAVAIL

- Tenir l'aire de travail propre et bien éclairée.** Les lieux encombrés ou sombres sont propices aux accidents.
- Ne pas faire fonctionner d'outils électriques dans un milieu déflagrant, tel qu'en présence de liquides, de gaz ou de poussières inflammables.** Les outils électriques produisent des étincelles qui pourraient enflammer la poussière ou les vapeurs.
- Éloigner les enfants et les personnes à proximité pendant l'utilisation d'un outil électrique.** Une distraction pourrait en faire perdre la maîtrise à l'utilisateur.

#### 2) SÉCURITÉ EN MATIÈRE D'ÉLECTRICITÉ

- Les fiches des outils électriques doivent correspondre à la prise. Ne jamais modifier la fiche d'aucune façon. Ne jamais utiliser de fiche d'adaptation avec un outil électrique mis à la terre.** Le risque de choc électrique sera réduit par l'utilisation de fiches non modifiées correspondant à la prise.
- Éviter tout contact physique avec des surfaces mises à la terre comme des tuyaux, des radiateurs, des cuisinières et des réfrigérateurs.** Le risque de choc électrique est plus élevé si votre corps est mis à la terre.

- Ne pas exposer les outils électriques à la pluie ou à l'humidité.** La pénétration de l'eau dans un outil électrique augmente le risque de choc électrique.
- Ne pas utiliser le cordon de façon abusive. Ne jamais utiliser le cordon pour transporter, tirer ou débrancher un outil électrique. Tenir le cordon éloigné de la chaleur, de l'huile, des bords tranchants et des pièces mobiles.** Les cordons endommagés ou enchevêtrés augmentent les risques de choc électrique.
- Pour l'utilisation d'un outil électrique à l'extérieur, se servir d'une rallonge convenant à cette application.** L'utilisation d'une rallonge conçue pour l'extérieur réduira les risques de choc électrique.
- S'il est impossible d'éviter l'utilisation d'un outil électrique dans un endroit humide, brancher l'outil dans une prise ou sur un circuit d'alimentation dotés d'un disjoncteur de fuite à la terre (GFCI).** L'utilisation de ce type de disjoncteur réduit les risques de choc électrique.

#### 3) SÉCURITÉ PERSONNELLE

- Être vigilant, surveiller le travail effectué et faire preuve de jugement lorsqu'un outil électrique est utilisé. Ne pas utiliser d'outil électrique en cas de fatigue ou sous l'influence de drogues, d'alcool ou de médicaments.** Un simple moment d'inattention en utilisant un outil électrique peut entraîner des blessures corporelles graves.
- Utiliser des équipements de protection individuelle. Toujours porter une protection oculaire.** L'utilisation d'équipements de protection comme un masque antipoussière, des chaussures antidérapantes, un casque de sécurité ou des protecteurs auditifs lorsque la situation le requiert réduira les risques de blessures corporelles.
- Empêcher les démarrages intempestifs. S'assurer que l'interrupteur se trouve à la position d'arrêt avant de relier l'outil à une source d'alimentation et/ou d'insérer un bloc-piles, de ramasser ou de transporter l'outil.** Transporter un outil électrique alors que le doigt repose sur l'interrupteur ou brancher un outil électrique dont l'interrupteur est à la position de marche risque de provoquer un accident.
- Retirer toute clé de réglage ou clé avant de démarrer l'outil.** Une clé ou une clé de réglage attachée à une partie pivotante de l'outil électrique peut provoquer des blessures corporelles.
- Ne pas trop tendre les bras. Conserver son équilibre en tout temps.** Cela permet de mieux maîtriser l'outil électrique dans les situations imprévues.
- S'habiller de manière appropriée. Ne pas porter de vêtements amples ni de bijoux. Garder les cheveux, les vêtements et les gants à l'écart des pièces mobiles.** Les vêtements amples, les bijoux ou les cheveux longs risquent de rester coincés dans les pièces mobiles.
- Si des composants sont fournis pour le raccordement de dispositifs de dépoussiérage et de ramassage, s'assurer que ceux-ci sont bien raccordés et utilisés.** L'utilisation d'un dispositif de dépoussiérage peut réduire les dangers engendrés par les poussières.
- Ne pas laisser la familiarisation gagnée par l'utilisation fréquente des outils vous amener à la négligence et à ignorer les principes de sécurité liés à l'outil.** Une imprudence pourrait causer des dommages corporels graves en une fraction de seconde.

#### 4) UTILISATION ET ENTRETIEN D'UN OUTIL ÉLECTRIQUE

- Ne pas forcer un outil électrique. Utiliser l'outil électrique approprié à l'application.** L'outil électrique approprié effectuera un meilleur travail, de façon plus sûre et à la vitesse pour laquelle il a été conçu.
- Ne pas utiliser un outil électrique dont l'interrupteur est défectueux.** Tout outil électrique dont l'interrupteur est défectueux est dangereux et doit être réparé.
- Débrancher la fiche de la source d'alimentation et/ou du bloc-piles de l'outil électrique avant de faire tout réglage ou changement d'accessoire ou avant de**

**ranger l'outil.** Ces mesures préventives réduisent les risques de démarrage accidentel de l'outil électrique.

- d) **Ranger les outils électriques hors de la portée des enfants et ne permettre à aucune personne n'étant pas familière avec un outil électrique ou son mode d'emploi d'utiliser cet outil.** Les outils électriques deviennent dangereux entre les mains d'utilisateurs inexpérimentés.
- e) **Entretien des outils électriques. Vérifier si les pièces mobiles sont mal alignées ou coincées, si des pièces sont brisées ou présentent toute autre condition susceptible de nuire au bon fonctionnement de l'outil électrique. En cas de dommage, faire réparer l'outil électrique avant toute nouvelle utilisation.** Beaucoup d'accidents sont causés par des outils électriques mal entretenus.
- f) **S'assurer que les outils de coupe sont aiguisés et propres.** Les outils de coupe bien entretenus et affûtés sont moins susceptibles de se coincer et sont plus faciles à maîtriser.
- g) **Utiliser l'outil électrique, les accessoires, les forets, etc. conformément aux présentes directives en tenant compte des conditions de travail et du travail à effectuer.** L'utilisation d'un outil électrique pour toute opération autre que celle pour laquelle il a été conçu est dangereuse.

#### 5) UTILISATION ET ENTRETIEN DU BLOC-PILES

- a) **Ne recharger l'outil qu'au moyen du chargeur précisé par le fabricant.** L'utilisation d'un chargeur qui convient à un type de bloc-piles risque de provoquer un incendie s'il est utilisé avec un autre type de bloc-piles.
- b) **Utiliser les outils électriques uniquement avec les blocs-piles conçus à cet effet.** L'utilisation de tout autre bloc-piles risque de causer des blessures ou un incendie.
- c) **Lorsque le bloc-piles n'est pas utilisé, le tenir éloigné des objets métalliques, notamment des trombones, de la monnaie, des clés, des clous, des vis ou autres petits objets métalliques qui peuvent établir une connexion entre les deux bornes.** Le court-circuit des bornes du bloc-piles risque de provoquer des brûlures ou un incendie.
- d) **En cas d'utilisation abusive, le liquide peut gicler hors du bloc-piles; éviter tout contact avec ce liquide. Si un contact accidentel se produit, laver à grande eau. Si le liquide entre en contact avec les yeux, obtenir également des soins médicaux.** Le liquide qui gicle hors du bloc-piles peut provoquer des irritations ou des brûlures.
- e) **Ne pas utiliser un bloc-piles ou un outil endommagé ou modifié.** Un bloc-piles endommagé ou modifié pourrait se comporter de façon imprévisible et poser des risques d'incendie, d'explosion ou de dommages corporels.
- f) **Ne pas exposer un bloc-piles ou un outil au feu, ou à des températures excessives.** Toute exposition au feu ou à des températures supérieures à 130 °C pose des risques d'explosion.
- g) **Suivre toutes les instructions de chargement et ne pas recharger un bloc-piles ou un outil hors des températures d'emploi spécifiées dans les directives.** Un chargement incorrect ou à des températures hors des plages spécifiées pourrait endommager le bloc-piles et augmenter les risques d'incendie.

#### 6) MAINTENANCE

- a) **Faire assurer la maintenance de votre outil électrique par un réparateur qualifié en n'utilisant que des pièces de rechange identiques.** Cela permettra d'assurer l'intégrité de l'outil électrique et la sécurité de l'utilisateur.
- b) **Ne jamais entretenir un bloc-piles endommagé.** L'entretien d'un bloc-piles devrait être effectué par le fabricant ou des services agréés.

#### Consignes de sécurité propres aux scies à onglet

- a) **Les scies à onglet ont été conçues pour découper le bois ou des produits similaires. Elles ne peuvent être utilisées avec des meules à tronçonner pour**

**découper des matériaux ferreux tels barres, tiges, montants, etc.** Les poussières abrasives pourront enrayer les pièces mobiles comme le carter inférieur. Les étincelles provenant de la découpe abrasive pourront brûler le carter inférieur, la plaque du trait de scie ou toute autre pièce en plastique.

- b) **Utiliser des serre-joints pour soutenir la pièce à travailler chaque fois que possible. Pour soutenir la pièce manuellement, maintenir systématiquement la main à au moins 152 mm (6 po) de chaque côté de la lame. Ne pas utiliser cette scie pour couper des pièces trop petites pour être arrimées ou tenues manuellement de façon sécuritaire.** Si la main s'approche trop près de la lame, les risques de dommages corporels par contact avec la lame augmentent.
- c) **La pièce à travailler doit être fixe et bien arrimée, ou maintenue, contre le guide et la table. Ne jamais alimenter la pièce à travailler vers la lame ou couper à main levée.** Une pièce non maintenue ou mobile pourrait être éjectée à grande vitesse et causer des dommages corporels.
- d) **Poussez la scie au travers de la pièce à travailler. Ne pas tirer la scie au travers de la pièce à travailler. Pour effectuer une coupe, lever la tête de scie puis la positionner au-dessus de la pièce sans couper, mettre le moteur en marche, abaisser la tête de scie et pousser la scie au travers de la pièce.** Découper en tirant la scie pourra faire que la lame saute la pièce à travailler et que le dispositif de lame soit violemment rejeté sur l'utilisateur.
- e) **Ne jamais laisser la main traverser la ligne de coupe, que ce soit devant ou derrière la lame.** Le fait de maintenir la pièce en croisant les bras (la maintenir du côté droit de la scie avec la main gauche, ou inversement) est extrêmement dangereux.
- f) **Ne pas envoyer les mains derrière le guide à moins de 152 mm (6 po) de chaque côté de la lame, pour retirer un débris, ou pour toute autre raison, alors que la lame tourne.** La proximité de la lame en mouvement avec la main pourrait ne pas être évidente et poser des risques de dommages corporels graves.
- g) **Vérifier la pièce avant la coupe. Si la pièce est gauchie ou voilée, l'arrimer avec la courbe externe orientée vers le guide. S'assurer systématiquement qu'il n'y a aucun espace entre la pièce, le guide et la table le long de la ligne de coupe.** Les pièces gauchies ou voilées peuvent se tordre ou bouger et causer un grippage au niveau de la lame en mouvement pendant la coupe. La pièce devrait être exempte de clous ou de tout autre objet étranger.
- h) **Ne pas utiliser la scie tant que la table ne sera pas débarrassée de tout outil, débris de bois, etc., autre que la pièce à travailler.** Les petits débris, morceaux de bois, ou autres objets qui entreraient en contact avec la scie en mouvement pourraient être éjectés violemment.
- i) **Couper une pièce à la fois.** Les pièces mises les unes sur les autres ne peuvent être arrimées de façon adéquate et pourraient rester coincées dans la lame ou bouger pendant la coupe.
- j) **S'assurer que la scie à onglet est montée ou installée sur une surface plane et ferme avant son utilisation.** Une surface plane et ferme réduit les risques d'instabilité de la scie à onglet.
- k) **Planifier le travail. À chaque changement de réglage d'angle de biseau ou d'onglet, vérifier que le guide n'interférera pas avec la lame et le dispositif de protection.** Alors que l'outil n'est pas en "MARCHE" et qu'aucune pièce ne se trouve sur la table, déplacer la lame tout du long pour simuler une coupe complète pour s'assurer qu'il n'y aura aucune interférence ou risque de couper le guide.
- l) **Offrir un soutien adéquat, tel que rallonges de table, chevalets, etc., pour toute pièce plus longue ou plus large que la table de l'établi.** Les pièces plus longues ou plus larges que la table de scie à onglet pourraient tomber si elles ne sont pas soigneusement soutenues. Si c'était le cas, aussi bien pour la pièce ou la découpe, elles pourraient soulever le carter inférieur ou être rejetées par la lame en mouvement.



- m) **Ne pas utiliser un autre individu comme substitut à une rallonge ou à un support additionnel.** Le soutien instable de la pièce pourra gripper la lame ou faire bouger la pièce pendant la découpe, et attirer l'utilisateur et son aide vers la lame en mouvement.
- n) **La découpe ne doit pas être coincée ou appuyée en aucune façon contre la lame en mouvement.** Si elle était coincée (à l'aide de butées longitudinales), la découpe pourrait être bloquée contre la lame et rejetée violemment.
- o) **Utiliser systématiquement un serre-joint ou un dispositif de fixation pour soutenir correctement des matériaux arrondis comme les barreaux ou la tubulure.** Les barreaux ont tendance à rouler pendant la coupe, gripper la lame et attirer la pièce et la main vers la lame.
- p) **Laisser la lame tourner à plein régime avant de la mettre en contact avec la pièce.** Cela réduira les risques que la pièce soit éjectée.
- q) **Si la pièce ou la lame se grippait, arrêter la scie à onglet. Attendre l'arrêt complet de toutes les pièces mobiles, déconnecter l'outil du secteur et/ou retirer le bloc-piles. Et alors seulement, libérer le matériau coincé.** Le fait de continuer à scier alors que la pièce est grippée pourra causer la perte de contrôle de la scie à onglet et l'endommager.
- r) **Une fois la coupe terminée, relâchez l'interrupteur, maintenir la tête de scie abaissée et attendre l'arrêt complet de la lame avant de retirer la découpe.** Approcher la main d'une lame au ralenti est dangereux.
- s) **Maintenir fermement la poignée pour effectuer une coupe partielle ou pour libérer l'interrupteur alors que la tête de scie n'est pas encore complètement abaissée.** Le freinage de la scie pourrait abaisser soudainement la tête de scie, et poser des risques de dommages corporels.

## Règles de sécurité additionnelles relatives aux scies à onglet

**⚠️ AVERTISSEMENT :** ne pas insérer les blocs-piles dans l'outil ou connecter ce dernier au secteur tant que l'ensemble des instructions n'aura pas été lu et compris.

- **NE PAS UTILISER CETTE MACHINE** tant qu'elle n'est pas complètement assemblée et installée, conformément aux instructions données. Une machine incorrectement assemblée pose des risques de dommages corporels graves.
- **DEMANDER CONSEIL** à un supérieur, un instructeur, ou à toute autre personne qualifiée, si l'on n'est pas complètement familier avec l'utilisation de cette machine. Le savoir est source de sécurité.
- **SE CONFORMER AUX NORMES DU CODE EN MATIÈRE DE CÂBLAGE** et connexions électriques pour prévenir tout risque de décharges électriques ou d'électrocution. Protéger la ligne électrique avec un fusible temporisé d'au moins 15 ampères ou un disjoncteur.
- **S'ASSURER QUE** la lame tourne dans le bon sens. Les dents de la lame devraient pointer dans le sens de rotation indiqué sur la scie.
- **RESSERRER TOUS LES LEVIERS DE VERROUILLAGE**, boutons et autres leviers avant toute utilisation. Les dispositifs de fixation lâches posent des risques d'éjection rapide et violente de la pièce à travailler.
- **S'ASSURER** que l'ensemble lame et serre-lames est propre, que les côtés encastrés des serre-lames se trouvent contre la lame et que la vis de l'arbre est resserrée soigneusement. Une lame mal ou incorrectement arrimée pose des risques de dommages matériels et corporels.
- **UTILISER L'OUTIL EXCLUSIVEMENT AVEC DES BLOCS-PILES DEWALT FLEXVOLT OU UN BLOC D'ALIMENTATION FILAIRE DEWALT.** Connecter le cordon du bloc d'alimentation uniquement sur la tension stipulée. Surchauffe, dommages à l'outil et dommages corporels pourraient survenir.
- **NE RIEN BLOQUER CONTRE LE VENTILATEUR** pour maintenir l'arbre de moteur. Des dommages à l'outil et dommages corporels pourraient survenir.
- **NE JAMAIS COUPER DE MÉTAUX FERREUX** (métaux contenant du fer ou de l'acier) ni de la maçonnerie. En coupant l'un ou l'autre de ces matériaux, les pointes carburées peuvent se détacher de la lame, et ce, à grande vitesse. Cela peut provoquer des blessures graves.
- **NE PAS UTILISER DE MEULES OU DE LAMES ABRASIVES.** La chaleur excessive et les particules abrasives générées par ces lames posent des risques de dommages matériels et corporels.
- **NE JAMAIS LAISSER AUCUNE PARTIE DU CORPS ENTRER DANS LE SILLAGE DE LA LAME SCIE**, car cela pose des risques de dommages corporels.
- **NE JAMAIS APPLIQUER DE LUBRIFIANT À LAMES SUR UNE LAME EN MOUVEMENT.** Lors de l'application du lubrifiant, les mains pourraient rencontrer la lame et provoquer des dommages corporels graves.
- **NE PAS** approcher les mains de la lame lorsque la scie est branchée sur une source d'alimentation. L'activation accidentelle de la lame pose des risques de dommages corporels graves.
- **NE JAMAIS APPROCHER LES MAINS DE LA LAME, NI AUTOUR NI DERRIÈRE.** Une lame peut causer des dommages corporels graves.
- **NE PAS PASSER LES MAINS SOUS LA SCIE** à moins qu'elle ne soit à l'arrêt et débranchée. Tout contact avec la lame de scie pose des risques de dommages corporels.
- **ARRIMER SOIGNEUSEMENT LA MACHINE À UN SUPPORT STABLE.** Les vibrations pourraient faire glisser la machine, ou bouger ou basculer, posant des risques de dommages corporels graves.
- **UTILISER UNIQUEMENT DES LAMES DE SCIE À COUPE TRANSVERSALE** recommandées pour scies à onglet. Pour optimiser les résultats, ne pas utiliser de lames à pointes de carbure avec un angle d'attaque supérieur à 7 degrés. Ne pas utiliser des lames à creux de dent profonds. Elles pourraient changer de course et toucher le carter, et poser des risques de dommages matériels et/ou corporels graves.
- **UTILISER UNIQUEMENT DES LAMES DE LA TAILLE ET DU TYPE CORRECTS** indiqués pour cet outil pour prévenir tout dommage matériel et/ou corporel grave.
- **VÉRIFIER QUE LES LAMES NE COMPORTENT AUCUNE FISSURE** ni aucun autre dommage avant chaque utilisation. Une lame fissurée ou endommagée peut se casser et des morceaux pourraient être éjectés violemment, et causer des dommages corporels graves. Changer immédiatement toute lame fissurée ou endommagée.
- **NETTOYER LA LAME ET LES SERRE-LAMES** avant chaque utilisation. Leur nettoyage permettra de vérifier qu'ils ne comportent aucun dommage. Une lame ou un serre-lame fissuré ou endommagé peut se casser et des morceaux pourraient être éjectés violemment, et causer des dommages corporels graves.
- **NE PAS UTILISER DE LAMES VOILÉES.** Vérifier que la lame tourne correctement et sans vibration. Une lame qui vibre pose des risques de dommages matériels et corporels graves.
- **NE PAS** utiliser de lubrifiant ou de nettoyant (particulièrement en vaporisateur ou en aérosol) à proximité du carter en plastique. Le matériau en polycarbonate utilisé pour le carter peut être attaqué par certains produits chimiques.
- **MAINTENIR LES DISPOSITIFS DE PROTECTION EN PLACE** et en bon état de marche.
- **UTILISER SYSTÉMATIQUEMENT LA PLAQUE DE TRAIT ET LA REMPLACER SI ELLE EST ENDOMMAGÉE.** De petits débris s'accumulant sous la scie pourraient interférer avec la lame de scie et causer l'instabilité de la pièce lors de la coupe.
- **UTILISER UNIQUEMENT LES SERRE-LAMES RECOMMANDÉS POUR CET OUTIL** pour prévenir tout dommage matériel et/ou corporel grave.

- **ÉLIMINER DES ORIFICES D'AÉRATION DU MOTEUR** tout débris ou sciure. Des orifices d'aération bouchés pourraient causer la surchauffe de la machine et l'endommager. Cela pourrait aussi provoquer un court-circuit qui poserait de risques de dommages corporels graves.
- **NE JAMAIS VERROUILLER L'INTERRUPTEUR EN POSITION DE MARCHÉ (ON)**, car cela pose des risques de dommages corporels graves.
- **NE JAMAIS MONTER SUR L'OUTIL.** De sérieux dommages corporels pourraient en résulter si l'outil basculait ou en cas de contact involontaire avec l'organe de coupe.
- **NE JAMAIS LAISSER L'OUTIL FONCTIONNER SANS SUPERVISION. ARRÊTER SYSTÉMATIQUEMENT L'OUTIL.** Attendre l'arrêt complet de l'outil avant de le laisser
- **DES INFORMATIONS COMPLÉMENTAIRES** sur la sécurité et l'utilisation correcte des outils électriques (ex. : vidéo sécurité) sont à votre disposition auprès du Power Tool Institute (l'Institut des outils électriques), 1300 Sumner Avenue, Cleveland, OH 44115-2851 ([www.powertoolinstitute.com](http://www.powertoolinstitute.com)). Des informations sont aussi à votre disposition auprès du National Safety Council (Conseil National de la Sécurité), 1121 Spring Lake Drive, Itasca, IL 60143-3201. Se reporter aux standards de l'institut : American National Standards Institute ANSI O1.1, Directives de sécurité pour les machines à bois et à la réglementation OSHA 1910. 213 du Ministère du travail américain.

**⚠ AVERTISSEMENT :** le fait de découper des plastiques, du bois enduit de sève ou autres matériaux pouvant causer l'accumulation de matériaux fondus sur les pointes de lame et le corps de lame, augmente les risques de surchauffe et de grippage lors de la coupe.

**⚠ AVERTISSEMENT :** pendant l'utilisation, porter systématiquement une protection auditive individuelle adéquate homologuée ANSI S12.6 (S3.19). Sous certaines conditions et suivant la durée d'utilisation, le bruit émanant de ce produit pourrait contribuer à une perte de l'acuité auditive.

**⚠ AVERTISSEMENT :** porter **SYSTEMATIQUEMENT** des lunettes de protection. Les lunettes courantes NE sont PAS des lunettes de protection. Utiliser aussi un masque antipoussières si la découpe doit en produire beaucoup. PORTER SYSTÉMATIQUEMENT UN ÉQUIPEMENT DE SÉCURITÉ HOMOLOGUÉ :

- Protection oculaire ANSI Z87.1 (CAN/CSA Z94.3) ;
- Protection auditive ANSI S12.6 (S3.19) ;
- Protection des voies respiratoires NIOSH/OSHA/MSHA.

**⚠ AVERTISSEMENT :** les scies, meules, ponceuses, perceuses ou autres outils de construction peuvent produire des poussières contenant des produits chimiques reconnus par l'État californien pour causer cancers, malformations congénitales ou être nocifs au système reproducteur. Parmi ces produits chimiques, on retrouve :

- Le plomb dans les peintures à base de plomb ;
- La silice cristallisée dans les briques et le ciment, ou autres produits de maçonnerie ; et
- L'arsenic et le chrome dans le bois ayant subi un traitement chimique.

Le risque associé à de telles expositions varie selon la fréquence à laquelle on effectue ces travaux. Pour réduire toute exposition à ces produits : travailler dans un endroit bien aéré, en utilisant du matériel de sécurité homologué, tel un masque antipoussières spécialement conçu pour filtrer les particules microscopiques.

- **Limiter toute exposition prolongée avec les poussières provenant du ponçage, sciage, meulage, perçage ou toute autre activité de construction. Porter des vêtements de protection et nettoyer à l'eau savonneuse les parties du corps exposées.** Le fait de laisser la poussière pénétrer dans la bouche, les yeux ou la peau peut favoriser l'absorption de produits chimiques dangereux.

**⚠ AVERTISSEMENT :** cet outil peut produire et/ou répandre de la poussière susceptible de causer des dommages sérieux et permanents au système respiratoire. Utiliser systématiquement un appareil de protection des voies respiratoires homologué par le NIOSH ou l'OSHA. Diriger les particules dans le sens opposé au visage et au corps.

- L'étiquette apposée sur votre outil peut inclure les symboles suivants. Les symboles et leur définition sont indiqués ci-après :

V..... volts	A..... ampères
Hz..... hertz	W..... watts
min..... minutes	~ or AC ..... courant alternatif
== or DC..... courant continu	≈ or AC/DC.. courant alternatif ou continu
Ⓛ..... fabrication classe I (mis à la terre)	n <sub>0</sub> ..... vitesse à vide
Ⓛ..... fabrication classe I (double isolation)	n..... vitesse nominale
.../min..... par minute	⊕..... borne de terre
BPM..... battements par minute	⚠..... symbole d'avertissement
IPM..... impacts par minute	SPM (FPM)..... fréquence par minute
RPM..... revolutions per minute	sfpm..... pieds linéaires par minute (plpm)
⚠..... radiation visible	☉..... protection respiratoire
☉..... protection oculaire	
👂..... protection auditive	

Pour des raisons de fonctionnalité et de sécurité, les étiquettes d'avertissement suivantes figurent sur votre scie à onglet.

**SUR LE BOÎTIER DU MOTEUR :**

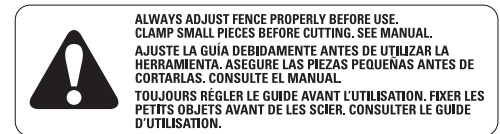
**⚠ AVERTISSEMENT :** POUR VOTRE SÉCURITÉ, VEUILLEZ LIRE LE MODE D'EMPLOI AVANT D'UTILISER LA SCIE À ONGLETS.

**EN CAS DE RÉPARATION, UTILISER UNIQUEMENT DES PIÈCES DE RECHANGE IDENTIQUES.**

**PROTÉGER DE LA PLUIE ET NE PAS UTILISER DANS DES ENDROITS HUMIDES. PORTER SYSTÉMATIQUEMENT UN SYSTÈME DE PROTECTION OCULAIRE ET DES VOIES RESPIRATOIRES ADÉQUATS.**

**SUR LES GUIDES MOBILES :**

**AJUSTEZ TOUJOURS CORRECTEMENT LE GUIDE AVANT UTILISATION. FIXEZ LES PETITES PIÈCES AVANT DE LES DÉCOUPER. VOIR LE MANUEL.**



**SUR LE PARE-MAIN :**

**DANGER – RESTEZ À L'ÉCART DE LA LAME.**

**SUR LE PARE-MAIN SUPÉRIEUR :**

**FIXEZ BIEN LE SUPPORT DE FIXATION AVEC LES DEUX VIS AVANT D'UTILISER LE PRODUIT.**

**SUR LA TABLE : (À 2 ENDROITS)**

**⚠ AVERTISSEMENT :** POUR RÉDUIRE TOUT RISQUE DE DOMMAGES CORPORELS, L'UTILISATEUR DOIT LIRE LE MANUEL DE L'UTILISATEUR AVANT TOUTE UTILISATION DE LA SCIE A ONGLET. MAINTENIR LES MAINS HORS DU CHEMIN DE LAME. NE PAS UTILISER LA SCIE SANS LES CARTERS EN PLACE. VÉRIFIER LE BON FONCTIONNEMENT DE LA FERMETURE DU CARTER AVANT

**⚠ DANGER PELIGRO**

KEEP AWAY FROM BLADE  
MANTENERS ALEJADO DE LA HOJA  
S'ÉLOIGNER DE LA LAME





**CHAQUE UTILISATION. RESSERRER SYSTÉMATIQUEMENT LES BOUTONS DE RÉGLAGE AVANT CHAQUE UTILISATION. NE JAMAIS UTILISER LA SCIE À MAIN LEVÉE. ARRIMER LES PETITES PIÈCES AVANT LA COUPE. NE JAMAIS PASSER LES MAINS DERRIÈRE LA LAME. NE JAMAIS CROISER LES BRAS DEVANT LA LAME. ARRÊTER L'OUTIL ET ATTENDRE L'ARRÊT COMPLET DE LA LAME DE SCIE AVANT DE DÉPLACER LA PIÈCE, DE MODIFIER LES RÉGLAGES OU DE DÉPLACER LES MAINS. RETIRER LE BLOC-PILES AVANT D'AJUSTER OU CHANGER LA LAME OU AVANT TOUT ENTRETIEN. POUR RÉDUIRE TOUT RISQUE DE DOMMAGES CORPORELS, RAMENER LE CHARIOT DANS SA POSITION ARRIÈRE EXTRÊME APRÈS CHAQUE COUPE TRANSVERSALE. RÉFLÉCHISSEZ ! VOUS PRÉVIENDREZ DES ACCIDENTS.**

**SUR LE SOCLE : (À 2 ENDROITS)**



## Connexion électrique

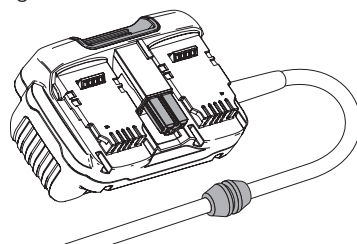
Assurez-vous que la source d'alimentation utilisée correspond à celle recommandée sur la plaque signalétique. « 120 volts CA » indique que la scie fonctionnera sur du courant alternatif. Ne pas l'utiliser sur du courant continu (CC). Une baisse de tension de 10 pour cent ou plus causera perte de puissance et surchauffe. Tous les outils DEWALT sont testés en usine. Si l'outil ne fonctionne pas correctement, vérifiez la source d'alimentation.

Cette scie à onglet fonctionne soit sur deux blocs-piles de 60 v soit sur le bloc d'alimentation filaire DEWALT.

## Utilisation du bloc d'alimentation filaire

Ce bloc d'alimentation filaire DEWALT a été conçu pour alimenter des outils sans fils DEWALT FLEXVOLT de 120 V max\*. Insérez le bloc d'alimentation filaire dans le logement de bloc-piles de la scie à onglet (reportez-vous à la section **Installation et retrait du bloc d'alimentation filaire**) et branchez-le dans une prise CA. Le bloc d'alimentation servira de source d'alimentation à l'outil. Votre bloc d'alimentation filaire DEWALT doit exclusivement être utilisé avec du courant domestique standard de 120 CA, 60 Hz ou un générateur, 120 CA, 60 Hz.

Fig. 1



Le bloc d'alimentation filaire peut être utilisé à la fois sur des outils de 120 V CA mis à la terre et ceux avec double isolation. Lorsque le bloc d'alimentation est utilisé avec un outil mis à la terre, la fiche de l'outil sera équipée d'un contact de terre permettant au circuit de mise à la terre de l'outil de se connecter au bloc d'alimentation. Lorsque le bloc d'alimentation est utilisé avec cette scie à onglet à double isolation, aucune mise à la terre n'est faite entre l'outil et le bloc d'alimentation, car aucune mise à la terre n'est requise.

## Instructions additionnelles liées à un usage particulier

Le bloc d'alimentation filaire peut devenir chaud au toucher pendant son utilisation. C'est normal et ne représente en aucun cas une défaillance du produit.

**IMPORTANT :** le bloc d'alimentation n'est pas réparable par l'utilisateur. Il n'y a aucune pièce réparable par l'utilisateur à l'intérieur du bloc d'alimentation.

Il est requis de faire réparer l'outil dans un centre de réparation agréé pour éviter tout dommage à ses composants internes sensibles à l'électricité statique.

## Blocs-Piles et Chargeurs

Le bloc-piles n'est pas totalement chargé d'usine. Avant d'utiliser le bloc-piles et le chargeur, lire les consignes de sécurité ci-après puis suivre la procédure de chargement indiquée. Pour commander un bloc-piles de rechange, s'assurer d'en inclure le numéro de catalogue et la tension.

Cet outil fonctionne avec un chargeur DEWALT. S'assurer de bien lire toutes les consignes de sécurité avant toute utilisation du chargeur. Consulter le tableau en fin de manuel pour connaître les compatibilités entre chargeurs et blocs-piles.

## Consignes importantes de sécurité les blocs-piles

**⚠AVERTISSEMENT :** Lire toutes les instructions et toutes les consignes de sécurité propres au bloc-piles, au chargeur et à l'outil électrique. Tout manquement aux avertissements et instructions pose des risques de décharges électriques, d'incendie et/ou de blessures graves.

- **Ne pas recharger ou utiliser un bloc-piles en milieu déflagrant, en présence, par exemple, de poussières, gaz ou liquides inflammables.** Le fait d'insérer ou retirer un bloc-piles de son chargeur pourrait causer l'inflammation de poussières ou d'émanations.
- **Ne jamais forcer l'insertion d'un bloc-piles dans un chargeur. Ne modifier un bloc-piles d'aucune façon pour le faire rentrer dans un chargeur incompatible, car il pourrait se briser et causer des dommages corporels graves.** Consulter le tableau en dernière page de ce manuel pour connaître les compatibilités entre chargeurs et blocs-piles.
- Recharger les blocs-piles exclusivement dans des chargeurs DEWALT.
- **NE PAS** éclabousser le bloc-piles ou l'immerger dans l'eau ou dans tout autre liquide.
- **Ne pas entreposer ou utiliser l'appareil et le bloc-piles en présence de températures ambiantes pouvant excéder 40 °C (104 °F) (comme dans des hangars ou des bâtiments métalliques l'été).** Pour préserver leur durée de vie, entreposer les blocs-piles dans un endroit frais et sec.
- **REMARQUE :** ne pas mettre un bloc-piles dans un outil dont la gâchette est verrouillée en position de marche. Ne jamais bloquer l'interrupteur en position de MARCHÉ.
- **Ne pas incinérer le bloc-piles même s'il est sévèrement endommagé ou complètement usagé, car il pourrait exploser et causer un incendie.** Pendant l'incinération des blocs-piles au lithium-ion, des vapeurs et matières toxiques sont dégagées.
- **En cas de contact du liquide de la pile avec la peau, rincer immédiatement au savon doux et à l'eau.** En cas de contact oculaire, rincer l'œil ouvert à l'eau claire une quinzaine de minutes ou jusqu'à ce que l'irritation cesse. Si des soins médicaux s'avéraient nécessaires, noter que l'électrolyte de la pile est composé d'un mélange de carbonates organiques liquides et de sels de lithium.
- **Le contenu des cellules d'une pile ouverte peut causer une irritation respiratoire.** En cas d'inhalation, exposer l'individu à l'air libre. Si les symptômes persistent, consulter un médecin.

**⚠AVERTISSEMENT :** risques de brûlure. Le liquide de la pile peut s'enflammer s'il est exposé à des étincelles ou à une flamme.

**⚠AVERTISSEMENT :** risques d'incendie. Ne jamais tenter d'ouvrir le bloc-piles pour quelque raison que ce soit. Si le boîtier du bloc-piles est fissuré ou endommagé, ne pas l'insérer dans un chargeur. Ne pas écraser, laisser tomber, ou endommager les blocs-piles. Ne pas utiliser un bloc-piles ou un chargeur qui a reçu un choc violent, ou si l'appareil est tombé, a été écrasé ou endommagé de quelque façon que ce soit (p. ex. percé par un clou, frappé d'un coup de marteau, piétiné). Les blocs-piles endommagés doivent être renvoyés à un centre de réparation pour y être recyclés.

**TRANSPORT**

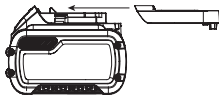
**⚠️AVERTISSEMENT : risques d'incendie. Au moment de ranger ou transporter le bloc-piles, veiller à protéger ses bornes à découvert de tout objet métallique.** Par exemple, éviter de placer le bloc-piles dans un tablier, une poche, une boîte à outils ou un tiroir, etc. contenant des objets tels que clous, vis, clés, etc. **Le fait de transporter des blocs-piles comporte des risques d'incendie, car les bornes des piles pourraient entrer, par inadvertance, en contact avec des objets conducteurs, tels que : clés, pièces de monnaie, outils ou autres.** La réglementation sur les produits dangereux (Hazardous Material Regulations) du département américain des transports interdit, en fait, le transport des blocs-piles dans les commerces ou dans les avions dans les bagages de cabine, À MOINS qu'ils ne soient correctement protégés de tout court-circuit. Aussi lors du transport individuel de blocs-piles, s'assurer que leurs bornes sont bien protégées et isolées de tout matériau pouvant entrer en contact avec elles et provoquer un court-circuit.

**EXPÉDITION DU BLOC-PILES DEWALT FLEXVOLT<sup>MC</sup>**

Le bloc-piles DEWALT FLEXVOLT<sup>MC</sup> possède deux modes : **Utilisation et Expédition.**

**Mode Utilisation :** lorsque le bloc-piles FLEXVOLT<sup>MC</sup> est par lui-même ou dans un produit DEWALT 20 v max\*, il fonctionnera comme un bloc-piles de 20 v max\*. Lorsque le bloc-piles FLEXVOLT<sup>MC</sup> est dans un produit de 60 v max\* ou 120 V max\* (deux blocs-piles de 60 v max\*), il fonctionnera comme un bloc-piles de 60 v max\*..

**Mode Expédition :** lorsque le capuchon est inséré sur le bloc-piles FLEXVOLT<sup>MC</sup>, le bloc-piles est en mode Expédition. Les modules de cellules sont électriquement déconnectés du bloc le faisant correspondre à trois blocs-piles d'un wattheure (Wh) inférieur comparé à un bloc-piles de wattheure élevé. Ce passage à trois blocs-piles à un wattheure inférieur peut permettre au bloc-piles d'être exempté de suivre certaines directives d'expédition imposées sur les blocs-piles de wattheure supérieur.



L'étiquette du bloc-piles donne deux estimations de wattheures (se reporter à l'exemple). Selon comment le bloc-piles est expédié, l'estimation appropriée de wattheure doit être utilisée pour déterminer les modalités d'expédition lui correspondant. Si le capuchon d'expédition est utilisé, le bloc-piles sera considéré comme 3 blocs-piles au wattheure indiqué pour « Expédition ». S'il est expédié sans le capuchon ou dans un outil, le bloc-piles sera considéré comme un seul bloc-piles au wattheure indiqué à côté de « Utilisation ».

Exemple d'étiquetage d'utilisation et d'expédition

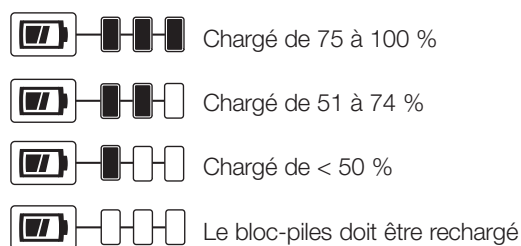
USE: 120 Wh Shipping: 3 x 40 Wh

Le Wh de transport indique 3 x 40 Wh, ce qui correspond à 3 blocs-piles de 40 wattheures chacun. L'utilisation du wattheure indique 120 wattheures (sous-entendu 1 bloc-piles).

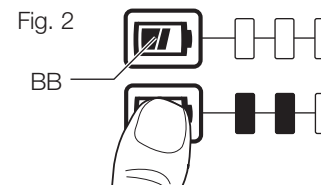
**TÉMOIN DE CHARGE DU BLOC-PILES (FIG. 2)**

Certains blocs-piles DEWALT possèdent un témoin de charge qui consiste en trois voyants Del verts indiquant le niveau de charge du bloc-piles.

Le témoin de charge indique approximativement le niveau de charge restant dans le bloc-piles en fonction des voyants suivants :



Pour activer le témoin de charge, maintenez appuyé le bouton du témoin de charge (BB). Une combinaison des trois voyants Del verts s'allumera indiquant le niveau de charge. Lorsque le niveau de charge du bloc-pile atteint la limite minimale d'utilisation, le témoin de charge reste éteint et le bloc-piles doit être rechargé.



**REMARQUE :** le témoin de charge ne fait qu'indiquer le niveau de charge du bloc-piles. Il ne donne aucune indication quant au fonctionnement de l'outil. Son propre fonctionnement pourra aussi varier en fonction des composants produit, de la température et de l'application d'utilisation.

Pour plus d'informations quant au témoin de charge du bloc-piles, veuillez appeler le 1-800-4-DEWALT (1-800-433-9258) ou vous rendre sur notre site [www.dewalt.com](http://www.dewalt.com).

**Le sceau SRPRC<sup>®</sup>**

Le sceau SRPRC<sup>®</sup> (Société de recyclage des piles rechargeables du Canada) apposé sur une pile au nickel-cadmium, à hydrure métallique de nickel ou au lithium-ion (ou un bloc-piles) indique que les coûts de recyclage de ces derniers en fin d'utilisation ont déjà été réglés par DEWALT. Dans certaines régions, la mise au rebut ou aux ordures municipales des piles au nickel-cadmium, à l'hydrure métallique de nickel ou au lithium-ion, est illégale ; le programme de l'Appel à Recycler<sup>®</sup> constitue donc une solution pratique et écologique.



Appel à Recycler Canada, Inc., en collaboration avec DEWALT et d'autres utilisateurs de piles, a mis sur pied de programme aux États-Unis et au Canada pour faciliter la collecte des piles au nickel-cadmium, à l'hydrure métallique de nickel ou au lithium-ion usagées. Aidez-nous à protéger l'environnement et à conserver nos ressources naturelles en renvoyant les piles au nickel-cadmium, à l'hydrure métallique de nickel ou au lithium-ion usagées à un centre de réparation autorisé DEWALT ou chez votre détaillant afin qu'elles y soient recyclées. On peut en outre se renseigner auprès d'un centre de recyclage local pour connaître d'autres sites les acceptant.

SRPRC<sup>®</sup> est une marque déposée de l'Appel à Recycler Canada, Inc.

**Directives de sécurité importantes propres à tous les chargeurs de piles**

**⚠️AVERTISSEMENT : lire toutes les instructions et toutes les consignes de sécurité propres au bloc-piles, au chargeur et à l'outil électrique. Tout manquement aux avertissements et instructions pose des risques de décharges électriques, d'incendie et/ou de blessures graves.**

- **NE PAS tenter de charger de bloc-piles avec des chargeurs autres que ceux décrits dans ce manuel.** Le chargeur et son bloc-piles ont été conçus tout spécialement pour fonctionner ensemble.
- **Ces chargeurs n'ont pas été conçus pour une utilisation autre que recharger les blocs-piles rechargeables DEWALT.** Toute autre utilisation comporte des risques d'incendie, de chocs électriques ou d'électrocution.
- **Protéger le chargeur de la pluie ou de la neige.**
- **Tirer sur la fiche plutôt que sur le cordon pour débrancher le chargeur.** Cela permet de réduire les risques d'endommager la fiche ou le cordon d'alimentation.

- **S'assurer que le cordon est protégé de manière à ce que personne ne marche ni ne trébuche dessus, ou à ce qu'il ne soit ni endommagé ni soumis à aucune tension.**
- **N'utiliser une rallonge qu'en cas de nécessité absolue.** L'utilisation d'une rallonge inadéquate comporte des risques d'incendie, de chocs électriques ou d'électrocution.
- **Pour utiliser un chargeur à l'extérieur, le placer dans un endroit sec et utiliser une rallonge conçue pour l'extérieur.** L'utilisation d'une rallonge conçue pour l'extérieur réduit les risques de chocs électriques.
- **Pour la sécurité de l'utilisateur, utiliser une rallonge de calibre adéquat (AWG, American Wire Gauge [calibrage américain normalisé des fils électriques]).** Plus le calibre est petit, et plus sa capacité est grande. Un calibre 16, par exemple, a une capacité supérieure à un calibre 18. L'usage d'une rallonge de calibre insuffisant causera une chute de tension qui entraînera perte de puissance et surchauffe. Si plus d'une rallonge est utilisée pour obtenir une certaine longueur, s'assurer que chaque rallonge présente au moins le calibre de fil minimum. Le tableau ci-dessous illustre les calibres à utiliser selon la longueur de rallonge et l'intensité nominale indiquée sur la plaque signalétique. En cas de doute, utiliser le calibre suivant. Plus le calibre est petit, plus la rallonge peut supporter de courant.

#### Calibre minimum pour les cordons d'alimentation

Volts		Longueur totale du cordon d'alimentation en mètre (pieds)			
120 V		7,6 (25)	15,2 (50)	30,5 (100)	45,7 (150)
240 V		15,2 (50)	30,5 (100)	61,0 (200)	91,4 (300)
Ampères		AWG			
Plus que	Pas plus que				
0	6	18	16	16	14
6	10	18	16	14	12
10	12	16	16	14	12
12	16	14	12	Non recommandé	

- **Ne poser aucun objet sur le chargeur. Ne pas mettre le chargeur sur une surface molle qui pourrait en bloquer la ventilation et provoquer une surchauffe interne.** Éloigner le chargeur de toute source de chaleur. Le chargeur dispose d'orifices d'aération sur le dessus et le dessous du boîtier.
- **Ne pas le faire fonctionner avec un cordon d'alimentation ou une fiche endommagée.**
- **Ne pas utiliser le chargeur s'il a reçu un coup, fait une chute ou a été endommagé de quelque façon que ce soit.** Le ramener dans un centre de réparation agréé.
- **Ne pas démonter le chargeur. Pour tout service ou réparation, le rapporter dans un centre de réparation agréé.** Le fait de le réassembler de façon incorrecte comporte des risques de chocs électriques, d'électrocution et d'incendie.
- **Débrancher le chargeur du secteur avant tout entretien. Cela réduira tout risque de chocs électriques.** Le fait de retirer le bloc-piles ne réduira pas ces risques.
- **NE JAMAIS tenter de connecter 2 chargeurs ensemble.**
- **Le chargeur a été conçu pour être alimenté en courant électrique domestique standard de 120 volts. Ne pas tenter de l'utiliser avec toute autre tension.** Cela ne s'applique pas aux chargeurs de postes mobiles.

**⚠AVERTISSEMENT : risques de chocs électriques.** Ne laisser aucun liquide pénétrer dans le chargeur, des chocs électriques pourraient en résulter.

**⚠AVERTISSEMENT : risques de brûlure.** Ne submerger le bloc-piles dans aucun liquide et le protéger de toute infiltration de liquide. Ne jamais tenter d'ouvrir le bloc-piles pour quelque raison que ce soit. Si le boîtier plastique du bloc-piles est brisé ou fissuré, le retourner dans un centre de réparation pour y être recyclé.

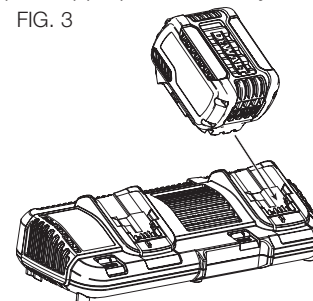
**⚠ATTENTION : risques de brûlure.** Pour réduire tout risque de dommages corporels, ne recharger que des blocs-piles rechargeables DEWALT. Tout autre type de piles pourrait exploser et causer des dommages corporels et matériels.

**AVIS :** sous certaines conditions, lorsque le chargeur est connecté au bloc d'alimentation, des matériaux étrangers pourraient court-circuiter le chargeur. Les corps étrangers conducteurs tels que (mais pas limité à) poussières de rectification, débris métalliques, laine d'acier, feuilles d'aluminium, ou toute accumulation de particules métalliques doivent être maintenus à distance des orifices du chargeur. Débrancher systématiquement le chargeur lorsque le bloc-piles n'y est pas inséré. Débrancher systématiquement le chargeur avant tout entretien.

### Chargement du bloc-piles (Fig. 3)

Branchez le chargeur dans la prise appropriée avant d'y insérer le bloc-piles.

FIG. 3



Insérer le bloc-piles dans le chargeur, en vous assurant qu'il y est correctement calé. Le voyant rouge (charge) clignotera de façon continue indiquant que le cycle de chargement a commencé.

En fin de charge, le voyant rouge restera ALLUMÉ de façon continue. Le bloc-piles est alors complètement rechargé et peut être utilisé ou laissé dans le chargeur. Pour retirer le bloc-piles du chargeur, appuyez sur le bouton de libération du bloc-piles sur le bloc-piles.

**REMARQUE :** pour assurer des performances optimales et une durée de vie maximale des blocs-piles au lithium-ion, recharger pleinement le bloc-piles avant toute utilisation initiale.

#### UTILISATION DU CHARGEUR

Reportez-vous aux indications du tableau ci-dessous pour consulter le statut de charge du bloc-piles.

DCB107, DCB112, DCB113, DCB115, DCB118, DCB132		
	Bloc-piles en Cours de Chargement	
	Bloc-piles Chargé	
	Suspension de Charge Contre le Chaud/ Froid*	

\*Le voyant rouge ne cessera de clignoter, mais un voyant jaune restera allumé pendant cette opération. Lorsque le bloc-piles aura repris une température appropriée, le voyant jaune s'éteindra et le chargeur reprendra sa procédure de charge.

Le chargeur ne pourront recharger des blocs-piles défectueux. Le chargeur indiquera qu'un bloc-piles est défectueux en refusant de s'allumer ou en affichant bloc-piles ou chargeur défectueux.

**REMARQUE :** cela pourra aussi indiquer un problème avec le chargeur.

Si le problème provient du chargeur, faites vérifier le chargeur et le bloc-piles chez un centre de réparation agréé.



## FONCTION DE SUSPENSION DE CHARGE CONTRE LE CHAUD/FROID

Lorsque le chargeur détecte un bloc-piles trop chaud ou trop froid, il démarre automatiquement la fonction de suspension de charge contre le chaud, suspendant le chargement jusqu'à ce que le bloc-piles ait repris une température appropriée. Le chargeur ensuite se remettra automatiquement en mode de chargement. Cette caractéristique assure aux blocs-piles une durée de vie maximale.

Un bloc-piles froid se rechargera moins vite qu'un bloc-piles chaud. Le bloc-piles se rechargera à ce rythme plus lent tout au cours du cycle de charge et ne retournera pas à sa vitesse maximale de charge même s'il venait à se réchauffer.

Le chargeur DCB118 est équipé d'un ventilateur interne destiné à refroidir le bloc-piles. Le ventilateur se mettra automatiquement en marche chaque fois que le bloc-piles aura besoin de se refroidir.

N'utilisez jamais le chargeur si le ventilateur ne fonctionne pas correctement ou si ses fentes d'aération sont bloquées. Protégez systématiquement l'intérieur du chargeur de tout objet étranger.

## SYSTÈME ÉLECTRONIQUE DE PROTECTION

Les appareils au Li-Ion sont équipés d'un système électronique de protection pour protéger les blocs-piles de toute surcharge, surchauffe ou fuite importante.

L'appareil s'arrêtera automatiquement dès que le système électronique de protection sera activé. Si c'était le cas, placez le bloc-piles au lithium-ion sur son chargeur jusqu'à ce qu'il soit complètement rechargé.

## Installation murale

Ces chargeurs ont été conçus pour une installation murale ou pour être posés sur une table ou une surface de travail. Pour une fixation murale, installez le chargeur à proximité d'une prise électrique, et à l'écart de coins ou de toute autre obstruction au passage de l'air. Utilisez l'arrière du chargeur pour marquer l'emplacement des vis de montage sur le mur. Fixez soigneusement le chargeur à l'aide de vis autoforeuses (vendues séparément) d'au moins 25,4 mm (1 po) de long, et de diamètre de tête de 7-9 mm (0,28-0,35 po), que vous visserez dans le bois en laissant une longueur optimale d'environ 5,5 mm (7/32 po) exposée. Alignez les orifices à l'arrière du chargeur sur les vis exposées et insérez à fond ces dernières dans les orifices.

## Instructions d'entretien du chargeur

**⚠AVERTISSEMENT : risques de chocs électriques.** Débrancher le chargeur de la prise de courant alternatif avant tout entretien. Éliminer toute saleté ou graisse de la surface externe du chargeur à l'aide d'un chiffon ou d'une brosse non métallique douce. N'utiliser ni eau ni aucun nettoyeur liquide.

## Remarques importantes concernant le chargement

1. Pour augmenter la durée de vie du bloc-piles et optimiser son rendement, le recharger à une température ambiante de 18 ° à 24 °C (65 °F à 75 °F). NE PAS recharger le bloc-piles à une température inférieure à + 4,5 °C (+ 40 °F) ou supérieure à + 40 °C (+ 104 °F). C'est important pour prévenir tout dommage sérieux au bloc-piles.
2. Le chargeur et son bloc-piles peuvent devenir chauds au toucher pendant la charge. C'est normal et ne représente en aucun cas une défaillance du produit. Pour faciliter le refroidissement du bloc-piles après utilisation, éviter de laisser le chargeur ou le bloc-piles dans un local où la température ambiante est élevée comme dans un hangar métallique ou une remorque non isolée.
3. Si le bloc-piles ne se recharge pas correctement :
  - a. Vérifier le bon fonctionnement de la prise en y branchant une lampe ou tout autre appareil électrique.

- b. Vérifier que la prise n'est pas contrôlée par un interrupteur qui coupe le courant lorsqu'on éteint les lumières.
  - c. Déplacer le chargeur et le bloc-piles dans un local où la température ambiante se trouve entre environ 18 ° et 24 °C (65 °F et 75 °F).
  - d. Si le problème persiste, amener l'outil, le bloc-piles et son chargeur dans un centre de réparation local.
4. Recharger le bloc-piles lorsqu'il ne produit plus assez de puissance pour effectuer un travail qu'il faisait facilement auparavant. NE PAS CONTINUER à l'utiliser dans ces conditions. Suivre la procédure de charge. Si nécessaire, il est aussi possible de recharger un bloc-piles partiellement déchargé sans effet nuisible sur le bloc-piles.
  5. Les corps étrangers conducteurs tels que (mais pas limité à) poussières de rectification, débris métalliques, laine d'acier, feuilles d'aluminium, ou toute accumulation de particules métalliques doivent être maintenus à distance des orifices du chargeur. Débrancher systématiquement le chargeur lorsque le bloc-piles n'y est pas inséré. Débrancher systématiquement le chargeur avant tout entretien.
  6. Ne pas congeler ou immerger le chargeur dans l'eau ou tout autre liquide.

## Recommandations de stockage

1. Le lieu idéal de rangement est un lieu frais et sec, à l'abri de toute lumière solaire directe et de toute température excessive.
2. Pour un stockage prolongé, il est recommandé d'entreposer le bloc-piles pleinement chargé dans un lieu frais et sec, hors du chargeur pour optimiser les résultats.

**REMARQUE :** les blocs-piles ne devraient pas être entreposés complètement déchargés. Il sera nécessaire de recharger le bloc-piles avant réutilisation.

## CONSERVER CES CONSIGNES POUR UTILISATION ULTÉRIEURE

## DÉBALLAGE DE VOTRE SCIE

Vérifiez que le carton de votre scie à onglet contient bien toutes les pièces d'origines.

En plus de ce manuel de l'utilisateur, ce carton devrait contenir :

- 1 Scie à onglet DHS790
- 1 Lame de scie DEWALT de 305 mm (12 po) de diamètre

Pourra comprendre :

- 1 Bloc d'alimentation filaire DEWALT
- 2 Blocs-piles de 60 V
- 1 Chargeur double

Dans le sac :

- 1 Clé pour lame
- 1 Fixation de matériau
- 1 Sac à poussière
- 1 Manuel de l'utilisateur

## Caractéristiques techniques

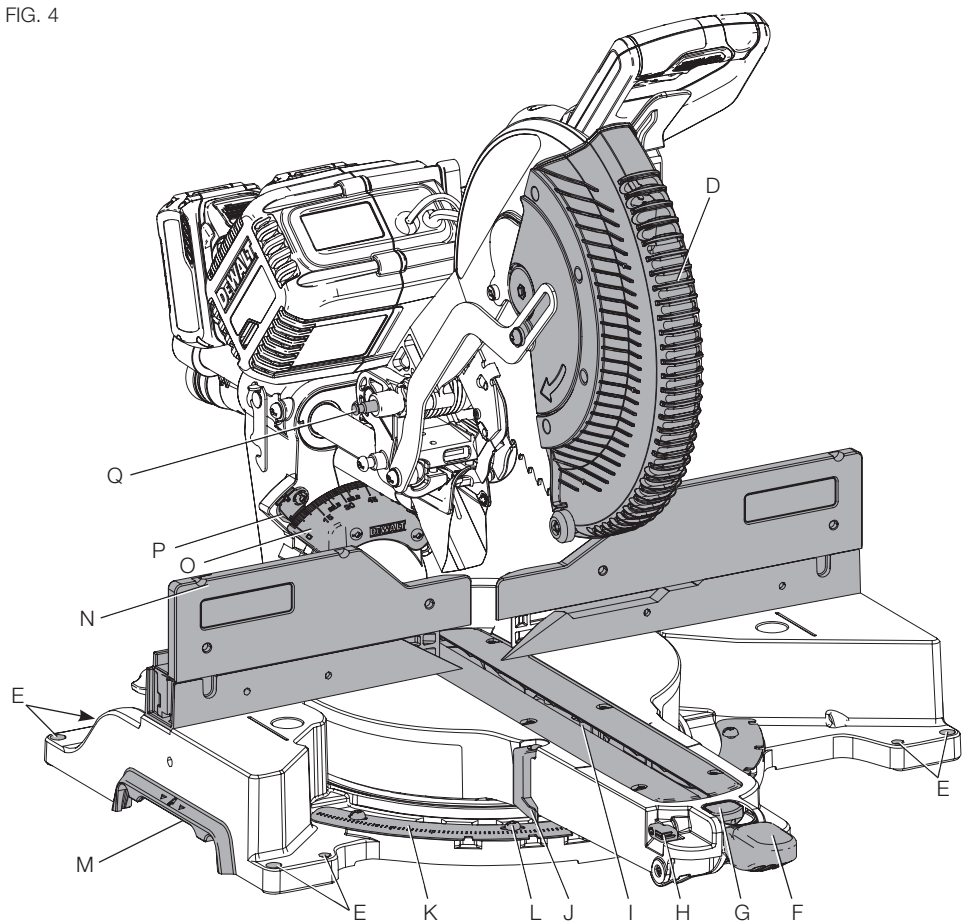
### CAPACITÉ DE DÉCOUPE

Onglet gauche à 50°, Onglet droit à 60°

Biseau droit et gauche à 49°



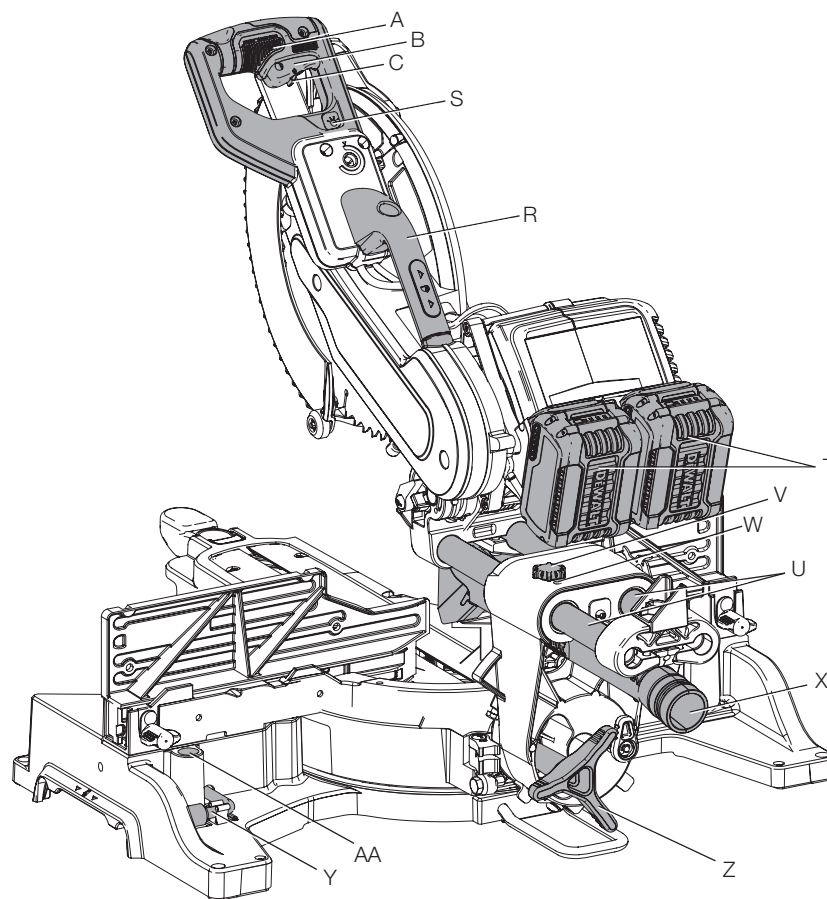
FIG. 4



ANGLE	CAPACITÉ MAXIMALE DE COUPE		RÉSULTAT	
Onglet à 0°	Hauteur	112 mm (4,4 po)	Largeur	231 mm (9,1 po)
	Largeur	349 mm (13,75 po)	Hauteur	76 mm (3,0 po)
Onglet à 45°	Hauteur	112 mm (4,4 po)	Largeur	147 mm (5,8 po)
	Largeur	244 mm (9,6 po)	Hauteur	76 mm (3,0 po)
Biseau à 45° - gauche	Hauteur	79 mm (3,1 po)	Largeur	290 mm (11,4 po)
	Largeur	349 mm (13,75 po)	Hauteur	43 mm (1,7 po)
Biseau à 45° - droite	Hauteur	56 mm (2,2 po)	Largeur	290 mm (11,4 po)
	Largeur	349 mm (13,75 po)	Hauteur	28 mm (1,1 po)

Votre scie est capable de couper des moulures de plinthe à la verticale, de 20 mm (0,8 po) d'épaisseur par 171 mm (6,75 po) de hauteur pour un onglet droit ou gauche à 45°, lorsque le levier de verrouillage à glissière est utilisé (AN, Fig. 10).

**REMARQUE :** La scie est capable de découper de la manière suivante lorsqu'une procédure de configuration spéciale est suivie. Consulter **Découpes spéciales**.



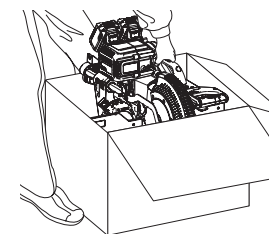
onglet à 0°	Hauteur 38 mm (1,5 po)	Largeur 409 mm (16,1 po)
onglet à 45°	Hauteur 38 mm (1,5 po)	Largeur 297 mm (11,7 po)

### Familiarisation

Votre scie à onglet vient dans un carton, complètement assemblée. Ouvrez le carton pour en retirer la scie à l'aide de la poignée fonctionnelle de levage, comme illustré en figure 5. Installez la scie sur une surface plane et lisse comme un établi, une table robuste ou un établi de scie à onglet DEWALT. Examinez la figure 4 pour vous familiariser avec la scie et ses différentes pièces. La section sur les réglages utilisera les termes mentionnés et il est important de connaître ces pièces et de savoir où elles sont.

**ATTENTION :** risques de pincement. Pour réduire tout risque de dommages corporels, maintenir le pouce sous la poignée d'utilisation (A) pour la rabaisser. Le carter inférieur s'élèvera alors que la poignée sera abaissée, et cela pourrait vous pincer. La poignée est placée près du carter pour des coupes particulières.

FIG. 5



Appuyez légèrement sur la poignée d'utilisation et tirez sur la goupille de blocage (Q, Fig. 4). Relâchez doucement la pression verticale en retenant le bras tout en lui permettant de s'élever à son maximum. Utilisez la goupille de blocage pour transporter la scie d'un lieu à l'autre. Utilisez systématiquement la poignée de levage pour transporter la scie ou ses indentations de prise (M, fig. 4).

## DESCRIPTION (Fig. 4)

**⚠AVERTISSEMENT :** ne jamais modifier l'outil électrique ni aucun de ses composants, car il y a risques de dommages corporels ou matériels.

A. Poignée d'utilisation	I. Plaque de trait	S. Interrupteur de lampe de travail CUTLINE <sup>MC</sup>
B. Gâchette	J. Indicateur d'échelle d'onglet	T. Blocs-piles
C. Bouton de verrouillage de la gâchette	K. Échelle d'onglet	U. Rails
D. Carter inférieur	L. Vis de l'échelle d'onglet	V. Molette de verrouillage de rail
E. Trous de fixation	M. Indentations de prise	W. Vis de réglage de rail
F. Levier de verrouillage d'onglet	N. Guide	X. Buse de dé poussiérage
G. Bouton de libération d'onglet	O. Échelle de biseau	Y. Clé hexagonale
H. Levier de libération de cran d'onglet	P. Indicateur d'échelle d'onglet	Z. Molette de verrouillage de biseau
	Q. Goupille de blocage	AA. Orifice de fixation
	R. Poignée de levage	

## USAGE PRÉVU

Cette scie à onglet a été conçue pour le sciage professionnel.

**NE PAS** l'utiliser en milieu ambiant humide ou en présence de liquides ou de gaz inflammables.

Cette scie à onglet est un outil électrique de professionnels. **NE PAS** la laisser à la portée des enfants. Une supervision est nécessaire auprès de tout utilisateur non expérimenté.

## Transport et stockage de la scie (Fig. 4, 7)

**⚠AVERTISSEMENT :** pour réduire tout risque de dommages corporels graves, arrêter l'outil et retirer les blocs-piles ou le bloc d'alimentation avant tout transport, réglage, entretien ou réparation ou avant de retirer ou installer toute pièce ou tout accessoire.

Tout démarrage accidentel comporte des risques de dommages corporels.

**⚠AVERTISSEMENT :** pour réduire tout risque de dommages corporels graves, verrouiller SYSTÉMATIQUEMENT la molette de verrouillage de rail (V), le levier de verrouillage d'onglet (F), la molette de verrouillage de biseau (Z), la goupille de blocage (Q) et les molettes de réglage de guide (AZ, fig. 7) avant de transporter la scie.

Pour faciliter le déplacement de la scie à onglet d'un lieu à un autre, une poignée de levage (R) a été incluse sur le dessus du bras de scie, et des indentations de prise sur la base (M).

## GOUPILLE DE BLOCAGE DE TÊTE (Fig. 4)

**⚠AVERTISSEMENT :** la goupille de blocage doit être utilisée **UNIQUEMENT** pour transporter ou entreposer la scie. **NE JAMAIS** utiliser la goupille de blocage pendant la découpe.

Pour verrouiller la tête de scie en position basse, poussez la tête de scie vers le bas, poussez sur la goupille de blocage (Q) puis relâchez la tête de scie. Cela maintiendra solidement la tête de scie en position basse pour déplacer la scie d'un lieu à l'autre. Pour la dégager, appuyez sur la tête de scie et retirez la goupille.

## CARACTÉRISTIQUES ET COMMANDES

**⚠AVERTISSEMENT :** pour réduire tout risque de dommages corporels graves, arrêter l'outil et retirer les blocs-piles ou le bloc d'alimentation avant tout transport, réglage, entretien ou réparation ou avant de retirer ou installer toute pièce ou tout accessoire.

Tout démarrage accidentel comporte des risques de dommages corporels.

## UTILISATION DE LA LAMPE DE TRAVAIL DEL CUTLINE<sup>MC</sup> (Fig. 4)

**⚠ATTENTION :** ne pas fixer des yeux la lampe de travail. Des lésions oculaires graves pourraient en résulter.

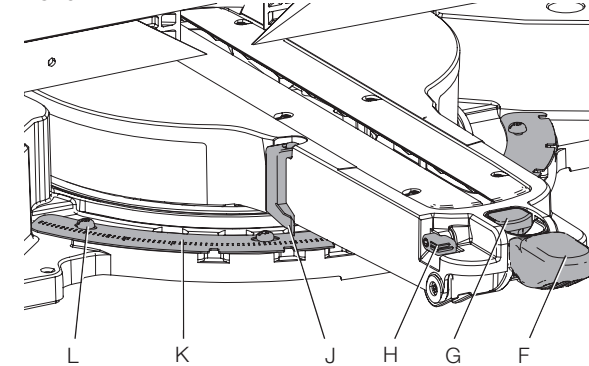
La lampe de travail DEL CUTLINE<sup>MC</sup> peut être allumée avec l'interrupteur à rappel (S). La lumière s'éteindra automatiquement dans les 20 secondes d'inactivité de la scie. La lampe est aussi activée automatiquement chaque fois que la gâchette principale de l'outil (B) est activée. Pour couper le long d'un tracé au crayon sur un morceau de bois, allumez la lampe de travail CUTLINE<sup>MC</sup> à l'aide de l'interrupteur à rappel (S) (et non avec la gâchette principale), puis rabattez la poignée d'utilisation (A) pour rapprocher la lame de scie du bois. L'ombre de la lame sera visible sur le bois. La silhouette de l'ombre représente le matériau que la lame éliminera pendant la coupe. Pour ajuster correctement la découpe sur le tracé au crayon, alignez le tracé sur la lisière de l'ombre de la lame. Il sera peut-être nécessaire d'ajuster aussi les angles d'onglet ou de biseau pour cadrer exactement avec le tracé.

Votre scie est équipée d'un dispositif de surveillance de bloc-piles. La lampe de travail CUTLINE<sup>MC</sup> se met à clignoter lorsqu'un bloc-piles est en fin de charge utile et/ou si un bloc-piles est trop chaud. Rechargez les blocs-piles avant de continuer à couper. Reportez-vous à la section **Procédure de charge sous Directives de sécurité propres à tous les blocs-piles** pour obtenir des instructions sur le chargement.

## COMMANDES D'ONGLET (Fig. 6)

Le levier de verrouillage d'onglet et le bouton de libération d'onglet permettent d'ajuster l'onglet de votre scie à 60° à droite et 50° à gauche. Pour ajuster l'onglet, relevez le levier de verrouillage d'onglet (F), poussez sur le bouton de libération d'onglet (G) et déplacez le bras d'onglet sur l'angle désiré d'échelle d'onglet (K), comme indiqué par l'indicateur d'échelle d'onglet (J). Rabaissez le levier de verrouillage d'onglet pour verrouiller le bras d'onglet.

FIG. 6



## LIBÉRATION DE CRAN D'ONGLET (Fig. 6)

Le levier de libération de cran d'onglet (H) permet de désactiver les butées habituelles (crans d'angles de la scie).

Pour libérer les crans, déverrouillez le levier de verrouillage d'onglet (F) en le tirant vers le haut. Poussez vers le haut le levier de libération de cran d'onglet (H), et déplacez le bras d'onglet sur l'angle désiré sur l'échelle d'onglet (K). Rabaissez le levier de verrouillage d'onglet pour verrouiller le bras d'onglet.

## VERROUILLAGE DE BISEAU (Fig. 7)

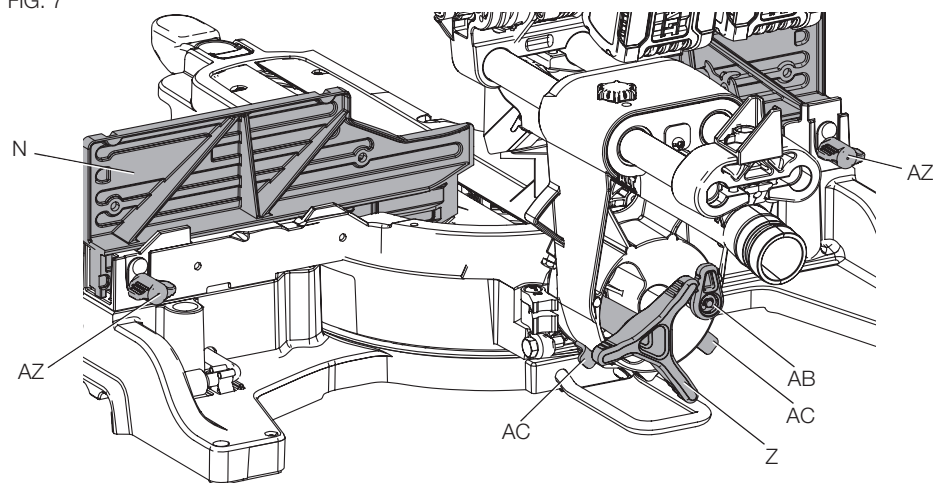
Le verrouillage de biseau vous permet de régler le biseau de la scie à 49° à gauche ou à droite. Pour régler le biseau désiré, tournez la molette de verrouillage de biseau (Z) vers la gauche. La tête de scie s'inclinera alors facilement sur la gauche ou la droite. Pour la resserrer, tournez la molette de verrouillage de biseau vers la droite.

## LIBÉRATION DU BISEAU À 0° (FIG. 7)

La libération de biseau permet de régler le biseau de la scie vers la droite, au-delà du repère de 0°.

Lorsque le levier de libération du biseau à 0° (AB) est activé (le levier sera tourné vers le haut), la scie s'arrêtera automatiquement à 0° lorsqu'elle sera amenée depuis la gauche. Pour aller au-delà de 0° vers la droite, inclinez la scie légèrement vers la gauche de 0°, puis tirez le levier de libération du biseau à 0° (AB). La tête de scie peut alors être inclinée au-delà de 0° à droite. Verrouillez la tête de scie sur l'angle désiré en tournant la molette de verrouillage de biseau (Z) vers la droite pour la resserrer. Le levier de libération du biseau à 0° peut être déverrouillé en tournant le levier vers le bas.

FIG. 7



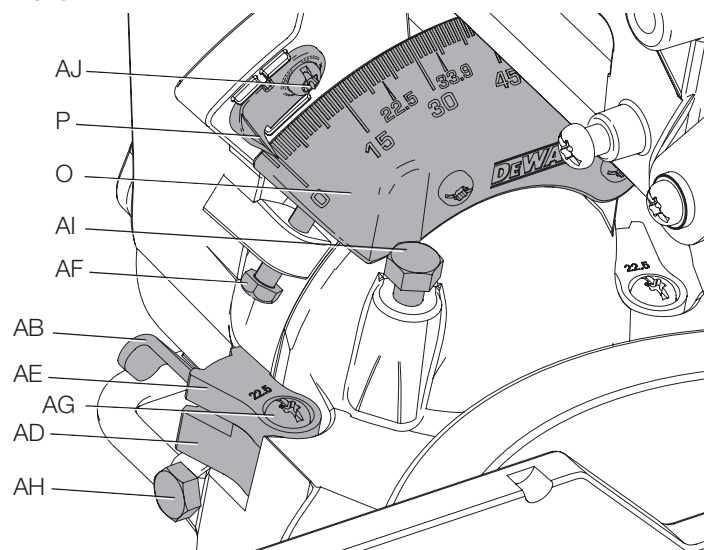
## LIBÉRATION DU BISEAU À 45° (Fig. 7)

Il y a deux leviers de libération de biseau (AC) à 45°, un de chaque côté de la scie. Pour régler le biseau de scie, à gauche ou à droite, au-delà de 45°, poussez vers l'arrière le levier de libération du biseau à 45° (AC). En position arrière, la scie peut être inclinée au-delà de ces butées. Lorsque les butées à 45° sont nécessaires, tirez le levier de libération du biseau à 45° vers l'avant.

## CLIQUETS DE BISEAU DE MOULURES COURONNÉES (Fig. 8)

Pour découper à plat des moulures couronnées, avec précision et rapidité, votre scie est équipée d'une butée de moulures couronnées, à gauche ou à droite (reportez-vous aux sections **Instruction pour la découpe de moulures couronnées à plat et en utilisant les onglets mixtes** sous **Coupe de moulures couronnées**). Le cliquet de biseau de moulures couronnées à 33,9° (AD) peut être tourné pour toucher la vis de réglage de moulure couronnée (AF). La scie est réglée d'usine pour découper des moulures couronnées typiques en Amérique du Nord (52/38), mais peut être inversée pour des moulures couronnées atypiques (45/45). Pour inverser le cliquet de biseau de moulures couronnées à 33,9°, retirez la vis de fixation (AG), le cliquet de biseau à 22,5° (AE) et le cliquet de biseau de moulures couronnées à 33,9° (AD). Inversez le cliquet de biseau de moulures couronnées à 33,9° de façon à ce que l'inscription « 30° » soit sur le dessus. Revissez la vis pour fixer le cliquet de biseau à 22,5° et le cliquet de biseau de moulures couronnées. La précision de réglage ne sera pas affectée.

FIG. 8



## CLIQUETS DE BISEAU À 22,5° (Fig. 8)

Votre scie est capable de régler avec précision et rapidité un biseau à 22,5°, à gauche ou à droite. Le cliquet de biseau à 22,5° (AE) peut pivoter pour toucher la vis de réglage de moulure couronnée (AF).

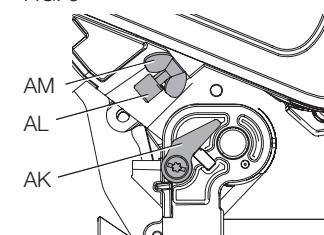
## MOLETTE DE VERROUILLAGE DE RAIL (Fig. 4)

La molette de verrouillage de rail (V) vous permet de verrouiller fermement la tête de scie pour l'empêcher de glisser sur les rails. C'est nécessaire pour effectuer certaines coupes ou pour transporter la scie.

## BUTÉE DE PROFONDEUR (Fig. 9)

La butée de profondeur permet de limiter la profondeur de coupe de la lame. La butée est utile pour des applications comme le rainurage et les coupes verticales hautes. Tournez la butée de profondeur (AK) vers l'avant et ajustez la vis de réglage de profondeur (AL) sur la profondeur de coupe désirée. Pour arrimer le réglage, resserrez l'écrou à ailettes (AM). Tournez la butée de profondeur vers l'arrière de la scie pour passer outre la fonctionnalité de butée de profondeur. Si la vis de réglage de profondeur est trop serrée pour la dévisser manuellement, utilisez la clé pour lame fournie avec la scie.

FIG. 9



## LEVIER DE VERROUILLAGE À GLISSIÈRE (Fig. 10)

Le levier de verrouillage à glissière (AN) permet de positionner la scie pour maximiser la découpe de moulure de base verticalement, comme illustré en figure 25.

## FREIN DE LAME ÉLECTRIQUE AUTOMATIQUE

Votre scie est équipée d'un frein de lame électrique automatique qui arrête la lame de scie en moins de 5 secondes une fois la gâchette relâchée. Ce n'est pas réglable. Dans de rares occasions, le frein ne sera pas activé et la lame ralentira à

FIG. 10

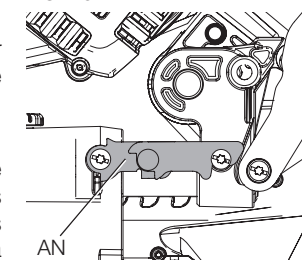
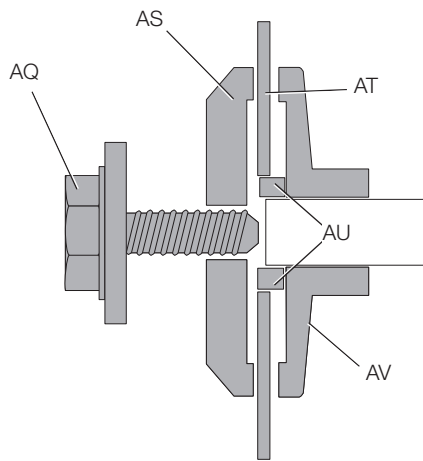
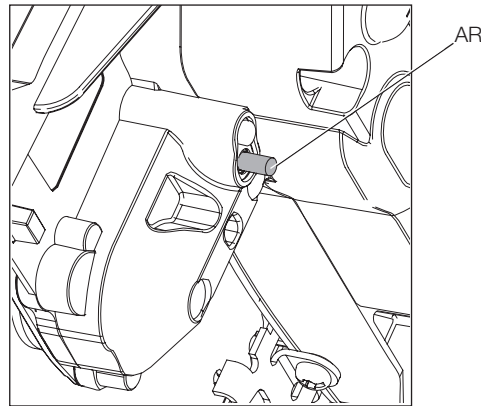
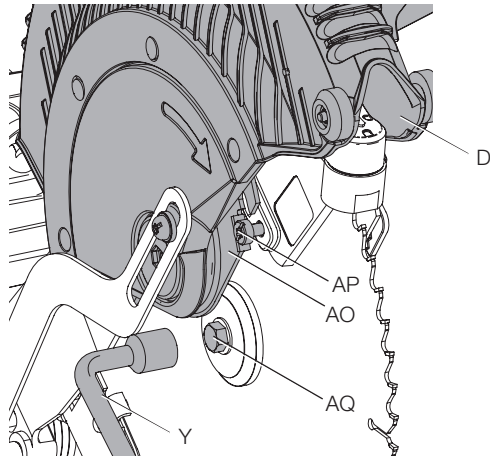




FIG. 11



son rythme jusqu'à s'arrêter complètement. Si c'était le cas, attendez quelques minutes avant de continuer l'utilisation. Si ce problème persiste, cela pourra correspondre à un dysfonctionnement. Veuillez alors rapporter l'outil auprès d'un centre de réparation agréé DEWALT.

Assurez-vous systématiquement de l'arrêt complet de la lame avant de relever le bras et de retirer la lame de la plaque de trait. Le frein ne peut pas servir de substitut aux carters. Assurez votre propre sécurité en donnant à votre scie toute votre attention.

#### ACTIVATION DU CARTER ET VISIBILITÉ

**⚠ATTENTION :** risques de pincement. Pour réduire tout risque de dommages corporels, maintenir le pouce sous la poignée pour la rabaisser. Le carter inférieur s'élèvera alors que la poignée sera abaissée, et cela pourrait vous pincer.

Le carter de lame de votre scie a été conçu pour s'élever automatiquement lorsque le bras est abaissé et pour couvrir la lame lorsque le bras est relevé.

Le carter peut être relevé manuellement pour installer ou retirer les lames de scie ou pour inspecter la scie. NE JAMAIS RELEVER LE CARTER DE LAME MANUELLEMENT TANT QUE LA SCIE N'EST PAS À L'ARRÊT COMPLET.

**REMARQUE :** certaines coupes particulières de larges matériaux nécessiteront de relever manuellement le carter. Se reporter à la section **Coupe de larges matériaux** sous **Coupes particulières**.

La section avant du carter est à claire-voie pour augmenter la visibilité pendant la coupe. Bien que les fentes réduisent dramatiquement les rejets de débris, ceux sont des ouvertures dans le carter et une protection oculaire devrait être portée en permanence pour regarder au travers des fentes.

#### MONTAGE

##### Fixation sur établi

Des trous de fixation (E, fig. 4) sont intégrés sur les 4 pieds de la scie pour faciliter sa fixation sur établi. (Il y a deux tailles différentes de trous pour accommoder différentes tailles de vis. Utilisez l'un ou l'autre trou, il est inutile d'utiliser les deux.) Fixez systématiquement votre scie fermement à une surface stable pour en prévenir tout mouvement. Pour faciliter la portabilité de la scie, elle peut être fixée à un morceau de contreplaqué de 12,7 mm (1/2 po) d'épaisseur qui pourra être arrimé à votre support d'ouvrage ou déplacé sur d'autres chantiers puis arrimé.

**REMARQUE :** si l'on choisit d'installer la scie sur du contreplaqué, s'assurer que les vis de montage ne dépasseront pas sous le bois. Le contreplaqué doit reposer bien à plat sur le support d'ouvrage. Pour arrimer la scie à une surface de travail quelconque, ne le faire que sur les dispositifs d'arrimage où se trouvent les trous des vis de montage. La fixer sur tout autre point interfèrera avec le bon fonctionnement de la scie.

**⚠ATTENTION :** pour prévenir tout grippage et toute perte de précision, s'assurer que la surface de montage n'est ni gondolée ni inégale. Si la scie est instable sur la surface, placer un fin morceau de matériau sous l'un de ses pieds pour la caler fermement sur la surface de montage.

##### Changement ou installation d'une nouvelle lame de scie (Fig. 11)

**⚠AVERTISSEMENT :** pour réduire tout risque de dommages corporels graves, arrêter l'outil et retirer les blocs-piles ou le bloc d'alimentation avant tout transport, réglage, entretien ou réparation ou avant de retirer ou installer toute pièce ou tout accessoire. Tout démarrage accidentel comporte des risques de dommages corporels.

#### ⚠ATTENTION :

- ne jamais appuyer sur le bouton de verrouillage de la broche alors que la lame est sous tension ou pas complètement arrêtée.
- Ne pas couper de métal ferreux (contenant du fer ou de l'acier), de la maçonnerie, ou des produits en fibrociment avec cette scie à onglet.
- Ne pas utiliser de meules ou de lames abrasives.

#### RETRAIT DE LA LAME (Fig. 11)

1. Retirez les blocs-piles ou le bloc d'alimentation.
2. Levez le bras sur sa position supérieure et relevez le carter inférieur (D) aussi haut que possible.
3. Desserrez, mais sans la retirer, la vis du support de carter (AP) jusqu'à ce que le support de carter (AO) soit assez relevé pour donner accès à la vis de lame (AQ) (avec rondelle intégrale). Le carter inférieur restera relevé à cause de la position de la vis du support de carter.
4. Appuyez sur le bouton de verrouillage de la broche (AR) en faisant tourner prudemment manuellement la lame de scie jusqu'à enclencher le verrouillage.



5. Avec le bouton toujours appuyé, utilisez l'autre main et la clé (Y) fournie pour desserrer la vis de lame (AQ). (Tournez vers la droite, filetage à gauche.)
6. Retirez la vis de lame (AQ), la rondelle externe de lame (AS), la lame (AT) et l'adaptateur de lame (AU), le cas échéant. La rondelle interne de lame (AV) peut rester sur la broche.

**REMARQUE :** pour les lames avec un alésage de 15,88 mm (5/8 po), l'adaptateur de lame de 25,4 mm (1 po) n'est pas utilisé

#### INSTALLATION DE LA LAME (Fig. 11)

1. Retirez les blocs-piles ou le bloc d'alimentation.
2. Alors que le bras est relevé, le carter inférieur (D) maintenu ouvert et le support de carter (AO) relevé, posez la lame sur la broche, sur l'adaptateur de lame (si une lame de 25,4 mm [1 po] d'alésage est utilisée) et contre le serre-lame interne avec la dent sur la partie inférieure de la lame pointant vers l'arrière de la scie.
3. Installez la rondelle de serrage externe sur la broche.
4. Insérez la vis de lame (AQ) avec la rondelle intégrale, puis en activant le verrouillage de broche, resserrez fermement la vis avec la clé (Y) fournie (tournez vers la gauche, filetage à gauche).

**REMARQUE :** lorsqu'une lame avec un alésage central de 15,88 mm (5/8 po) est utilisée, l'adaptateur de lame n'est pas utile et doit être rangé soigneusement pour future utilisation. L'adaptateur de lame n'est pas disponible sur tous les modèles.

5. Ramenez le support de carter (AO) sur sa position originale et resserrez fermement la vis du support de carter (AP) pour maintenir le support en place.

**⚠ AVERTISSEMENT :** le support du carter doit être retourné sur sa position originale et sa vis soigneusement resserrée avant l'activation de la scie. Dans le cas contraire, le carter pourrait entrer en contact avec la lame de scie en rotation et occasionner des dommages matériels et corporels graves.

#### RÉGLAGES

**⚠ AVERTISSEMENT :** pour réduire tout risque de dommages corporels graves, arrêter l'outil et retirer les blocs-piles ou le bloc d'alimentation avant tout transport, réglage, entretien ou réparation ou avant de retirer ou installer toute pièce ou tout accessoire. Tout démarrage accidentel comporte des risques de dommages corporels.

Votre scie à onglet a été parfaitement et précisément réglée en usine au moment de sa fabrication. Si en raison du transport, de la manutention, ou pour toute autre raison, un ajustement s'avérait nécessaire, suivez les instructions ci-après pour régler votre scie. Une fois effectués, ces réglages devraient demeurer corrects. Prenez, dès à présent, un minimum de temps pour suivre soigneusement ces directives pour maintenir la précision dont votre scie est capable.

#### RÉGLAGE DE L'ÉCHELLE D'ONGLET (Fig. 6, 14)

Déverrouillez le levier de verrouillage d'onglet (F), appuyez sur le bouton de libération d'onglet (G) et faites pivoter le bras d'onglet jusqu'à ce qu'il se verrouille sur la position d'onglet à 0°. Ne verrouillez pas le levier de verrouillage d'onglet. Appliquez une équerre contre le guide de scie et la lame, comme illustré en Figure 14. (Ne pas mettre l'équerre en contact avec la pointe des dents de lame. Cela donnerait une mesure inexacte.) Si la lame n'est pas parfaitement perpendiculaire au guide, desserrez les quatre vis (L) maintenant l'échelle d'onglet (K) et déplacez le levier de verrouillage d'onglet (F) et l'échelle, vers la gauche ou la droite, jusqu'à ce que la lame soit perpendiculaire au guide, conformément à l'équerre. Resserrez les quatre vis. Ne faites pas attention aux indications données par l'indicateur d'onglet à ce stade.

#### RÉGLAGE DE L'INDICATEUR D'ONGLET (Fig. 6)

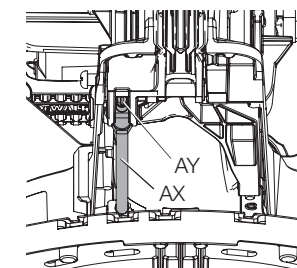
Déverrouillez le levier de verrouillage d'onglet (F) pour déplacer le bras d'onglet sur la position zéro. Alors que le levier de verrouillage d'onglet est déverrouillé, laissez le bras d'onglet s'enclencher en place en le ramenant sur zéro. Vérifiez l'indicateur d'onglet (J) et l'échelle

d'onglet (K). Si l'indicateur n'indique pas exactement zéro, desserrez la vis de l'indicateur d'onglet tout en maintenant l'indicateur fixe, puis repositionnez-le et resserrez la vis.

#### RÉGLAGE DU VERROUILLAGE D'ONGLET (Fig. 6, 12)

La tige de verrouillage d'onglet (AX) doit être ajustée si la table de scie peut bouger alors que le levier de verrouillage d'onglet (F) est verrouillé (abaissé). Pour régler le verrouillage d'onglet, mettez le levier de verrouillage d'onglet en position déverrouillée (relevé). À l'aide d'une clé ouverte de 1/2 po, desserrez l'écrou de blocage (AY) sur la tige de verrouillage d'onglet (AX). À l'aide d'un tournevis pour écrou à fente, serrez la tige de verrouillage d'onglet en tournant vers la droite. Tournez la tige de verrouillage jusqu'à ce qu'elle soit bien serrée, puis tournez vers la gauche d'un tour. Pour vous assurer que le verrouillage d'onglet fonctionne correctement, reverrouillez le verrouillage d'onglet sur une mesure non crantée de l'échelle d'onglet, par exemple : 34°, et assurez-vous que la table ne bougera pas. Resserrez le contre-écrou.

FIG. 12



#### AJUSTEMENT D'UNE FAUSSE ÉQUERRE À LA TABLE (Fig. 4, 8, 13)

Pour aligner la lame perpendiculairement à la table, verrouillez le bras de scie en position basse avec la goupille de blocage. Placez une équerre contre la lame, en vous assurant que l'équerre ne soit pas sur une dent. Desserrez la molette de verrouillage de biseau (F) et assurez-vous que le bras est fermement appuyé contre la butée de biseau à 0°. Tournez la vis de réglage du biseau à 0° (AI, fig. 8) à l'aide de la clé pour lame de 1/2 po jusqu'à ce que la lame forme un biseau de 0° avec la table.

FIG. 13

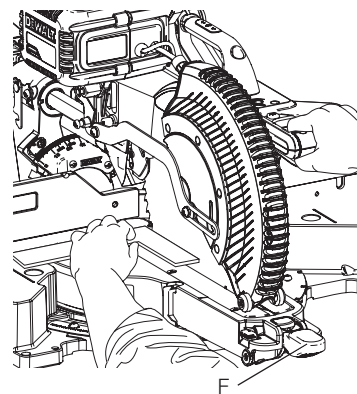
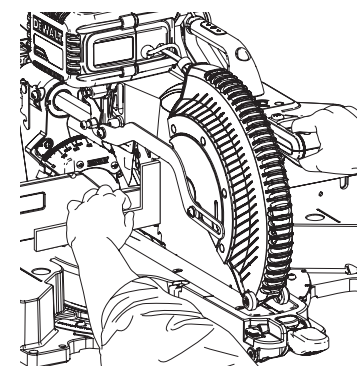


FIG. 14



#### INDICATEURS DE BISEAU (Fig. 8)

Si les indicateurs de biseau (P) n'indiquent pas zéro, desserrez chacune des vis d'indicateur de biseau (AJ) maintenant en place ces derniers et déplacez-les suivant le besoin. Assurez-vous que le biseau à 0° est correct et que les indicateurs de biseau sont bien réglés avant d'ajuster toute autre vis d'angle de biseau.

#### RÉGLAGE DE BUTÉE DE BISEAU À 45°, À DROITE ET À GAUCHE (Fig. 7, 8)

Il y a deux leviers de libération de butée de biseau, un de chaque côté de la scie. Pour ajuster l'angle de biseau droit à 45°, desserrez la molette de verrouillage de biseau (Z) et tirez sur le levier de libération du biseau à 0° (AB) pour passer outre la butée à 0°. Lorsque la scie est complètement à droite, si l'indicateur de biseau (P) n'indique pas exactement 45°, tournez la vis de réglage du biseau à 45° (AH) à l'aide de la clé pour lame de 1/2 po jusqu'à ce que l'indicateur de biseau indique 45°.

Pour ajuster l'angle de biseau gauche à 45°, desserrez d'abord la molette de verrouillage de biseau (Z) puis inclinez la tête vers la gauche. Si l'indicateur de biseau (P) n'indique pas exactement 45°, tournez la vis de réglage de biseau à 45° (AH) jusqu'à ce que l'indicateur de biseau indique 45°.

#### RÉGLAGE DE LA BUTÉE DE BISEAU À 22,5° (OU 33,9°) (Fig. 7, 8)

**REMARQUE :** régler les angles de biseau seulement après avoir effectué le réglage d'angle de biseau et d'indicateur de biseau à 0°.

Pour ajuster l'angle de biseau gauche à 22,5°, faites basculer le cliquet de biseau gauche (AE) à 22,5°. Desserrez la molette de verrouillage de biseau (Z) puis inclinez la tête complètement vers la gauche. Si l'indicateur de biseau (P) n'indique pas exactement 22,5°, tournez la vis de réglage de couronne (AZ) touchant le cliquet à l'aide d'une clé de 7/16 po jusqu'à ce que l'indicateur de biseau indique 22,5°.

Pour ajuster l'angle de biseau droit à 22,5°, faites basculer le cliquet de biseau droit (AE) à 22,5°. Desserrez la molette de verrouillage de biseau (Z) et tirez sur le levier de libération du biseau à 0° (AB) pour passer outre la butée à 0°. Lorsque la scie est complètement à droite, si l'indicateur de biseau (P) n'indique pas exactement 22,5°, tournez la vis de réglage de couronne (AF) touchant le cliquet à l'aide d'une clé de 7/16 po jusqu'à ce que l'indicateur de biseau indique exactement 22,5°.

#### RÉGLAGE DU GUIDE (Fig. 7)

**⚠AVERTISSEMENT :** pour réduire tout risque de dommages corporels graves, arrêter l'outil et retirer les blocs-piles ou le bloc d'alimentation avant tout transport, réglage, entretien ou réparation ou avant de retirer ou installer toute pièce ou tout accessoire.

Tout démarrage accidentel comporte des risques de dommages corporels.

Pour permettre d'ajuster la scie sur plusieurs positions de biseau, il pourra s'avérer nécessaire d'ajuster l'un des guides (N) pour offrir un espacement suffisant. Pour régler chaque guide, desserrez la molette d'ajustement du guide (AZ) et poussez le guide (N) vers l'extérieur. Faites un essai à vide avec la scie sans la mettre en marche pour vérifier si l'espacement est suffisant. Ajustez le guide le plus près possible de la lame pour offrir un support maximum à la pièce à travailler, sans pour autant interférer avec le mouvement vertical du bras. Resserrez soigneusement la molette d'ajustement du guide (AZ). N'oubliez pas de remettre le guide en place une fois les opérations de biseau terminées.

Pour certaines coupes, il pourra s'avérer nécessaire de rapprocher les guides de la lame. Pour ce, desserrez les molettes d'ajustement du guide de deux tours puis rapprochez les guides de la lame, au-delà des limites habituelles, puis resserrez les molettes d'ajustement du guide pour maintenir les guides dans cette position. Lorsque vous utilisez cette fonctionnalité, faites un passage à vide pour vous assurer que la lame n'entrera pas en contact avec les guides.

**REMARQUE :** les rails des guides pourront s'encrasser à cause de la sciure. Si c'est le cas, utiliser une brosse ou de l'air comprimé, faible intensité, pour nettoyer les rainures des guides.

#### RÉGLAGE DES PLAQUES DE TRAIT (Fig. 4)

Pour ajuster les plaques de trait (I), desserrez les vis les maintenant en place. Ajustez les plaques de trait aussi près que possible sans qu'elles interfèrent avec le mouvement de la lame.

Si vous désirez une largeur de trait nulle, réglez les plaques de trait aussi près que possible l'une de l'autre. Elles peuvent alors être coupées lentement avec la lame pour laisser l'espace le plus réduit possible entre la lame et les plaques de trait.

#### RÉGLAGE DU RAIL DE GUIDAGE (Fig. 4)

Vérifiez périodiquement toute absence de jeu sur les rails et la présence de l'espacement requis. Le rail droit peut être ajusté avec la vis de réglage de rail (W), comme illustré en figure 4. Pour réduire l'espacement, utilisez une clé hexagonale de 4 mm et tournez graduellement la vis de réglage de rail vers la droite tout en repoussant la tête de scie d'avant en arrière. Réduisez le jeu tout en maintenant un minimum de force de glisse.

## FONCTIONNEMENT

**⚠AVERTISSEMENT :** pour réduire tout risque de dommages corporels graves, arrêter l'outil et retirer les blocs-piles ou le bloc d'alimentation avant tout transport, réglage, entretien ou réparation ou avant de retirer ou installer toute pièce ou tout accessoire. Tout démarrage accidentel comporte des risques de dommages corporels.

**⚠AVERTISSEMENT :** porter systématiquement une protection oculaire. Tout utilisateur ou individu présent doit porter une protection oculaire homologuée ANSI Z87.1 (CAN/CSA Z94. 3).

**⚠AVERTISSEMENT :** pour s'assurer que le chemin de lame est libre de toute obstruction, faire un passage de coupe à vide, hors tension, avant de commencer à couper la pièce à travailler.

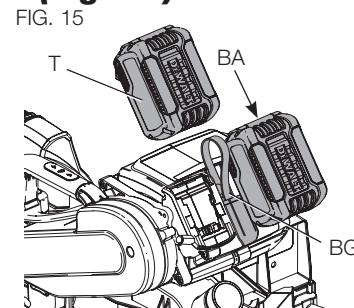
### Installation et retrait des blocs-piles (Fig. 15)

**REMARQUE :** pour optimiser les résultats, s'assurer que les blocs-piles sont complètement chargés.

Pour installer les blocs-piles (T) dans l'outil, alignez les blocs-piles sur les rails dans le boîtier du moteur et poussez-les jusqu'à ce qu'ils soient fermement positionnés dans l'outil, puis assurez-vous qu'ils n'en sortiront pas. Insérez le pare-poussière (BG) dans le réceptacle du bloc d'alimentation filaire entre les blocs-piles.

**AVIS :** maintenir le pare-poussière en place chaque fois que le bloc d'alimentation filaire n'est pas utilisé.

Pour retirer les blocs-piles de l'outil, poussez sur le bouton de libération (BA) et tirez fermement les blocs-piles hors de leur logement. Insérez-les dans leur chargeur comme décrit dans la section appropriée de ce guide d'utilisation.



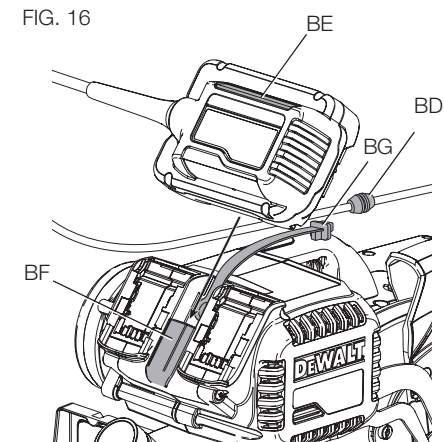
### Installation dans l'outil et retrait du bloc d'alimentation filaire (Fig. 16-18)

Avant d'insérer le bloc d'alimentation filaire dans l'outil, retirez l'embout du pare-poussière (BG) du réceptacle du bloc d'alimentation filaire (BF) de l'outil. Poussez le pare-poussière hors du réceptacle du bloc d'alimentation filaire de l'outil de façon à ce qu'il n'interfère pas avec l'insertion du bloc d'alimentation filaire. Vérifiez que le réceptacle du bloc d'alimentation filaire ne comporte aucun débris. Ces derniers pourraient empêcher le bloc d'alimentation filaire de rentrer correctement dans son réceptacle. En cas de débris, éliminez-les avec de l'air comprimé de faible intensité. Reportez-vous à la section Entretien du réceptacle du bloc d'alimentation filaire.

**AVIS :** le bloc d'alimentation filaire ne fonctionne que sur une source d'alimentation CA lorsqu'utilisé avec cet outil. L'utilisation avec une source d'alimentation CC pose le risque d'endommager l'outil.

Pour installer le bloc d'alimentation filaire dans l'outil :

1. Alors que le bloc d'alimentation filaire est hors secteur, insérez le connecteur CA dans le réceptacle du bloc d'alimentation filaire (BF) de l'outil et enclenchez-le en place.



2. Assurez-vous qu'il est bien calé dans l'outil est qu'il ne s'en dégagera pas.
3. Rattachez le pare-poussière (BG) à son support (BH, fig. 17) dans le bloc d'alimentation filaire.
4. Arrimez la bride du cordon (BD) au support de cordon de l'outil (BC, fig. 18). Enfoncez fermement la bride dans le support.
5. Alors que l'outil est à l'arrêt, connectez le bloc d'alimentation filaire dans une prise électrique à usage domestique standard de 120 V. Ne tentez pas d'utiliser le bloc d'alimentation filaire sur toute autre tension.
6. Utilisez l'outil conformément aux instructions propres à l'outil, en vous assurant que le cordon est bien protégé de manière à ce que personne ne marche, ni ne trébuche dessus, ou à ce qu'il ne soit, ni endommagé, ni soumis à aucune tension.

Pour retirer le bloc d'alimentation filaire de l'outil, débranchez-le tout d'abord du secteur, puis appuyez sur le bouton de libération (BE) et tirez-le fermement hors de l'outil. Enfoncez fermement l'embout du pare-poussière (BG) dans le réceptacle du bloc d'alimentation filaire (BF) de l'outil.

FIG. 17

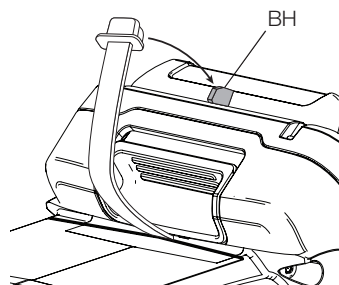
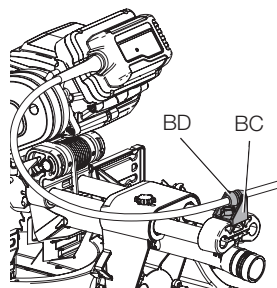


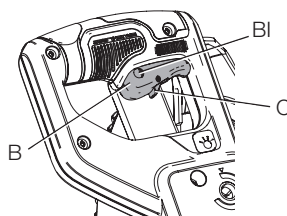
FIG. 18



### Gâchette (Fig. 19)

Pour mettre la scie en marche, poussez le bouton de verrouillage (C) vers la gauche, puis appuyez sur la gâchette (B). La scie fonctionnera tant que l'interrupteur restera appuyé. Laissez la lame tourner à plein régime avant de commencer la découpe. Pour arrêter la scie, relâchez la gâchette. Attendez l'arrêt complet de la lame avant de relever la tête de scie. La gâchette ne peut être verrouillée en marche. Un trou (BI) est prévu dans l'interrupteur pour y insérer un cadenas et verrouiller la scie à l'arrêt.

FIG. 19



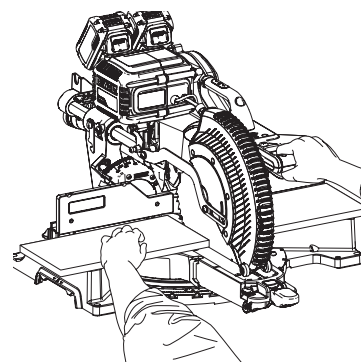
Assurez-vous systématiquement de l'arrêt complet de la lame avant de la retirer de la plaque de trait.

### Position correcte du corps et des mains (Fig. 20A, 20B)

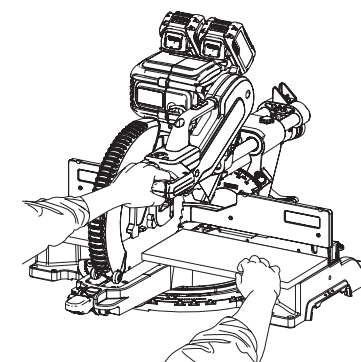
Il est crucial de positionner correctement le corps et les mains lors de l'utilisation de la scie à onglet. Ne placez jamais les mains à l'intérieur de la zone de coupe, entre les deux lignes rouges sur la base alors que la lame tourne. Arrimez ou maintenez la pièce fermement à la table et au guide pendant la coupe. Maintenez les deux mains en position tant que la gâchette ne sera pas relâchée et que la lame ne sera pas complètement arrêtée. FAITES SYSTÉMATIQUEMENT UN PASSAGE À VIDE (HORS ALIMENTATION) AVANT LA COUPE FINALE POUR VÉRIFIER LE CHEMIN DE LAME. NE CROISEZ PAS LES MAINS, COMME ILLUSTRÉ EN FIGURE 20B.

Maintenez votre équilibre et les deux pieds fermement ancrés au sol. Alors que vous déplacez le bras d'onglet de gauche à droite, suivez-le et restez légèrement sur le côté de la lame de scie. Regardez à travers les fentes du guide pour suivre la ligne au crayon.

FIG. 20A

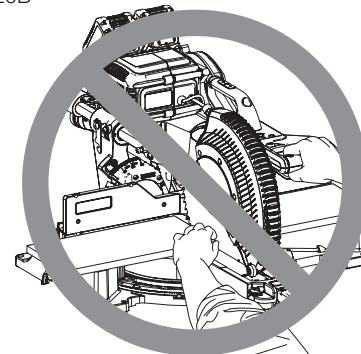


COUPE ADÉQUATE

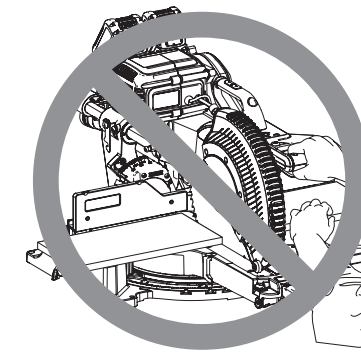


COUPE ADÉQUATE

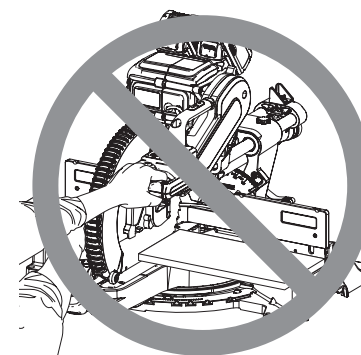
FIG. 20B



COUPE INADÉQUATE



COUPE INADÉQUATE



COUPE INADÉQUATE



## Couper avec votre scie

**⚠AVERTISSEMENT :** pour réduire tout risque de dommages corporels graves, arrêter l'outil et retirer les blocs-piles ou le bloc d'alimentation avant tout transport, réglage, entretien ou réparation ou avant de retirer ou installer toute pièce ou tout accessoire. Tout démarrage accidentel comporte des risques de dommages corporels.

Si la fonctionnalité des rails n'est pas utilisée, assurez-vous que la tête de scie est repoussée aussi loin que possible et que la molette de verrouillage de rail (V, fig. 4) est resserrée. Cela empêchera la scie de glisser le long des rails alors que vous alimentez la pièce.

**REMARQUE :** même si cette scie peut découper le bois et de nombreux matériaux non ferreux, nous limiterons les explications détaillées à la découpe du bois. Les mêmes consignes s'appliquent aux autres matériaux. **NE DÉCOUPER AUCUN MATÉRIAU FERREUX OU EN MAÇONNERIE OU FIBROCIMENT AVEC CETTE SCIE.** Ne pas utiliser de lames abrasives.

**REMARQUE :** se reporter à la section **Activation du guide et visibilité** sous **Caractéristiques et commandes** pour obtenir des informations importantes sur le carter inférieur avant la découpe.

### QUALITÉ DE COUPE

La qualité de toute coupe dépend de plusieurs variables. Des paramètres tels que le matériau coupé, le type de lame, la dureté de la lame et la vitesse de coupe contribuent tous à la qualité de coupe.

Lorsque des coupes plus régulières sont souhaitées, notamment dans le cas de moulures ou d'autres travaux de précision, une lame aiguisée (60 dents en carbure) et une vitesse de coupe plus faible et plus régulière produiront le résultat souhaité.

S'assurer que le matériau ne bougera ou ne glissera pas pendant la découpe; l'arrimer soigneusement en place. Attendre systématiquement l'arrêt complet de la lame avant de soulever le bras de scie.

Si de petites fibres de bois sont toujours projetées à l'arrière de la pièce, placez un morceau de ruban adhésif de carrossier sur le bois à l'endroit où la coupe sera effectuée. Sciez à travers le ruban adhésif et retirez-le soigneusement lorsque vous avez terminé.

Pour différentes applications de coupe, consultez la liste de lames de scie recommandées pour votre outil et sélectionnez celle qui s'adapte le mieux à vos besoins. Reportez-vous à la section **Lames de scie** sous **Accessoires**.

### FIXATION DE LA PIÈCE

**⚠AVERTISSEMENT :** une pièce de travail qui est abloquée, équilibrée et fixée avant d'être coupée peut devenir déséquilibrée après la coupe. Une charge déséquilibrée risque de faire basculer la scie ou toute chose à laquelle la scie est fixée, comme une table ou un établi. Au moment de couper une pièce qui risque d'être déséquilibrée, s'assurer qu'elle est bien soutenue et que la scie est bien boulonnée à une surface stable. Sinon, il y aurait risque de blessures corporelles.

**⚠AVERTISSEMENT :** le pied de la bride doit être encastré au-dessus de la base de la scie chaque fois que la bride est utilisée. Toujours serrer la pièce à la base de la scie et non à une autre partie de la zone de travail. S'assurer que le pied de la bride n'est pas serré au bord de la base de la scie.

**⚠ATTENTION :** utilisez systématiquement une bride de fixation pour maintenir le contrôle de la pièce à travailler et réduire les risques de dommages matériels et corporels, si vos mains doivent se trouver dans 152 mm (6 po) de la lame pendant la découpe.

Si vous ne pouvez pas manuellement maintenir la pièce sur la table et contre le guide (à cause d'une forme irrégulière ou d'une autre raison) ou que votre main se trouverait à moins de 152 mm (6 po) de la lame, vous devez utiliser un pinceur de travail ou une autre fixation.

Utilisez la bride de fixation de matériel fournie avec votre scie. Pour acheter une bride de fixation, veuillez contacter votre détaillant local ou un centre de réparation DEWALT.

D'autres accessoires tels que pinces à ressort, serres à barre ou serre-joint en C peuvent être adaptées à certaines tailles et formes de matériaux. Prêtez attention lors de la sélection et de la pose de ces fixations. Prenez le temps d'effectuer un essai à blanc avant d'entamer la coupe. Les guides de gauche et de droite coulissent d'un côté à l'autre pour faciliter l'opération de pinçage.

### INSTALLATION DE LA BRIDE

1. L'insérer dans le trou (AA, Fig. 4) situé derrière le guide. La bride doit être face à l'arrière de la scie à onglets. La rainure logée dans la tige de la bride doit être bien insérée dans la base. S'assurer que cette rainure est bien insérée dans la base de la scie à onglets. Si la rainure est visible, cela signifie que la bride est mal fixée.
2. Tourner la bride de 180° vers l'avant de la scie à onglets.
3. Desserrer la poignée pour monter ou descendre la bride, puis utiliser le bouton de réglage fin pour serrer fermement la pièce.

**REMARQUE:** placer la bride du côté opposé à la base pour le biseautage. TOUJOURS EFFECTUER DES MARCHES À SEC (SANS ALIMENTATION) AVANT DE RÉALISER VOS COUPES AFIN DE VÉRIFIER LA TRAJECTOIRE DE LA LAME. S'ASSURER QUE LA BRIDE N'OBSTRUE PAS LE MOUVEMENT DE LA SCIE OU DES DISPOSITIFS DE PROTECTION.

### Support de longues pièces

**⚠AVERTISSEMENT :** pour réduire tout risque de dommages corporels graves, arrêter l'outil et retirer les blocs-piles ou le bloc d'alimentation avant tout transport, réglage, entretien ou réparation ou avant de retirer ou installer toute pièce ou tout accessoire. Tout démarrage accidentel comporte des risques de dommages corporels.

SOUTENEZ TOUJOURS LES PIÈCES LONGUES.

Ne jamais utiliser une personne pour remplacer une rallonge de table, comme soutien supplémentaire pour une pièce dont la longueur ou la largeur dépasse le banc de scie de base ou pour aider à alimenter, soutenir la pièce ou pour la tirer.

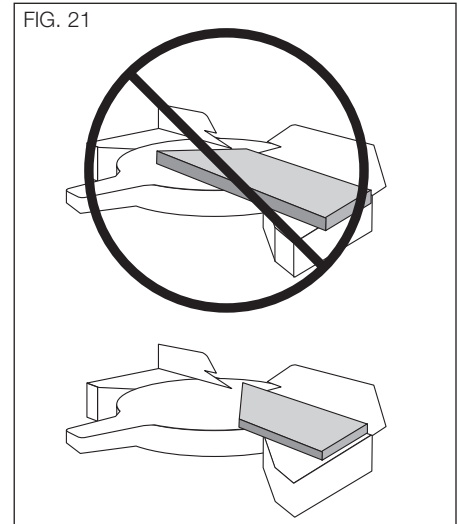
Pour des résultats optimaux, utilisez un support d'ouvrage télescopique DW7080 pour allonger la largeur de table de votre scie (vendu séparément chez votre détaillant). Soutenez les longues pièces à l'aide de tout moyen commode, par exemple un cheval de sciage ou un appareil similaire, afin d'empêcher les extrémités de tomber.

### COUPES TRANSVERSALES (FIG. 4, 21)

Une coupe transversale est une coupe de bois effectuée au travers du fil à n'importe quel angle. Une coupe transversale droite s'effectue avec le bras d'onglet en position zéro degré. Réglez et verrouillez le bras d'onglet à zéro, maintenez fermement le bois en place sur la table et contre le guide. Après avoir serré la poignée de blocage de rail (V), mettez la scie en marche en appuyant sur la détente vers le bas comme illustré à la Figure 4.

Lorsque la scie atteint son plein régime (en environ 1 seconde), baissez doucement et lentement le bras pour découper le bois. Laissez la lame s'arrêter complètement avant de relever le bras.

Lors de la découpe de toute pièce plus grande que 51 x 203 mm (2 x 8 po [ou 51 x 152 mm (2 x 6) avec un onglet à 45°]), utilisez un mouvement extérieur-bas-retour après avoir desserré la poignée de blocage de rail (V). Tirez la scie vers vous, abaissez la tête de scie vers la pièce et repoussez lentement la scie pour





terminer la coupe. Ne laissez pas la scie entrer en contact avec le sommet de la pièce lorsque vous tirez dessus. La scie pourrait se déplacer rapidement vers vous et pourrait entraîner une blessure corporelle ou endommager votre pièce.

La découpe de plusieurs pièces n'est pas recommandée mais elle peut être effectuée en toute sécurité en s'assurant que chaque pièce est maintenue fermement en place contre la table et le guide.

**EMARQUE :** pour offrir une capacité plus grande de coupe transversale avec un minimum d'à-coups, la lame de la scie pénètre plus profondément dans la table. Il s'ensuit que la force de levage exercée sur la pièce durant la coupe peut être plus importante.

**ATTENTION :** utilisez systématiquement une bride de fixation pour maintenir le contrôle de la pièce à travailler et réduire les risques de dommages matériels et corporels, si vos mains doivent se trouver dans 152 mm (6 po) de la lame pendant la découpe.

**REMARQUE :** la poignée de blocage de rail (V) illustrée à la Figure 4 doit être desserrée pour permettre à la scie de glisser le long de ses rails.

Les coupes transversales d'onglet sont effectuées avec le bras d'onglet réglé sur un angle autre que zéro. Cet angle est souvent à 45° pour faire des coins, mais il peut être ajusté différemment entre zéro et 50° à gauche ou 60° à droite. Effectuez la coupe comme décrit ci-dessus.

Si vous effectuez une coupe à onglet sur une pièce d'une largeur supérieure à 2 x 6, mais de longueur inférieure, placez systématiquement le côté le plus long le long du guide (Fig. 21).

Pour couper une pièce en suivant une ligne au crayon, essayer de faire correspondre le plus possible l'angle. Couper d'abord la pièce un peu plus longue puis mesurer de la ligne au crayon au bord coupé pour déterminer la direction de réglage de l'angle d'onglet puis couper de nouveau. Il faut un peu de pratique mais cette technique demeure toutefois très utilisée.

### COUPES EN BISEAU

Une coupe en biseau est une coupe transversale effectuée alors que la lame de scie forme un angle avec le bois. Pour régler le biseau, desserrez le verrouillage de biseau (V, Fig. 4), et déplacez la scie sur la droite ou sur la gauche comme désiré (déplacez le guide pour laisser un espace suffisant le cas échéant). Une fois l'angle de biseau désiré ajusté, resserrez fermement le verrouillage de biseau. Reportez-vous à la section **Caractéristiques et options** pour des instructions détaillées quant au dispositif à biseau.

Les angles de biseau peuvent être définis entre 49° à droite et 49° à gauche et peuvent être coupés avec l'arbre à onglet positionné entre 50° à gauche et 60° à droite. Dans le cas de certains angles extrêmes, il est possible de devoir retirer le guide de gauche ou de droite. Pour retirer le guide droit ou gauche, dévissez la poignée de réglage de guide de plusieurs tours puis enlevez-le.

**REMARQUE :** se reporter au paragraphe **Ajustement du guide** sous la section **Réglages** pour des informations importantes quant au réglage des guides pour certaines coupes en biseau.

### Découpe de cadres, de coffrages et d'autres objets à quatre faces (Fig. 22, 23)

Pour mieux comprendre comment façonner les éléments mentionnés ici, nous vous suggérons de commencer par des projets simples en utilisant des chutes de bois jusqu'à ce que vous soyez bien familiarisé avec votre outil.

Votre scie est l'outil parfait pour réaliser des coins à l'onglet comme celui illustré à la Figure 22. Le diagramme A de la Figure 23 illustre un assemblage réalisé à l'aide du réglage de biseau pour biseauter les arêtes des deux planches à 45° chacune afin de produire un coin à 90°. Pour réaliser cet assemblage, le bras d'onglet était bloqué à la position zéro et le réglage de biseau était bloqué à 45°. Le morceau de bois était positionné avec le large côté plat contre la table et l'arête étroite contre le guide. Il aurait également été possible de découper à l'onglet à droite et à gauche en maintenant la surface large contre le guide.

FIG. 22

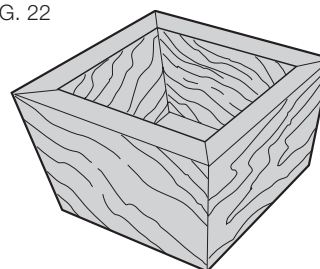
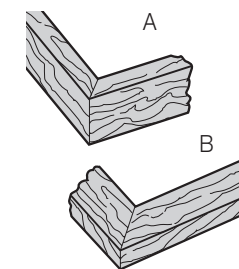


FIG. 23



### Découpe de moulures de garnissage et d'autres cadres (Fig. 23)

Le diagramme B de la Figure 23 illustre un assemblage réalisé en réglant le bras d'onglet à 45° pour couper à onglet les deux planches afin de former un coin à 90°. Pour réaliser ce type d'assemblage, réglez le biseau sur zéro et le bras d'onglet sur 45°. Le morceau de bois était à nouveau positionné avec le large côté plat contre la table et l'arête étroite contre le guide.

Les deux diagrammes de la Figure 23 correspondent à des objets à quatre côtés.

Lorsque le nombre de côtés change, les angles d'onglet et de biseau changent aussi. Le tableau ci-dessous indique les angles adéquats pour diverses formes.

#### - EXEMPLES -

NOMBRE DE CÔTÉS	ANGLE D'ONGLET OU DE BISEAU
4	45°
5	36°
6	30°
7	25,7°
8	22,5°
9	20°
10	18°

Le tableau suppose que tous les côtés sont de même longueur. Pour réaliser une forme qui n'apparaît pas dans le tableau, utilisez la formule suivante : 180° divisé par le nombre de côté donne l'angle d'onglet (si le matériau est coupé verticalement) ou de biseau (s'il est coupé à plat).

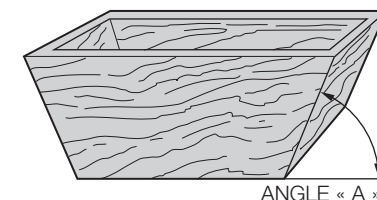
### Découpe à onglet mixte (Fig. 24)

Une coupe à onglet mixte est réalisée en utilisant simultanément un angle d'onglet et un angle de biseau. C'est le type de coupe utilisé pour fabriquer des cadres ou des boîtes dont les côtés sont inclinés, comme illustré dans la Figure 24.

**REMARQUE :** si l'angle de coupe varie d'une coupe à l'autre, vérifiez que la molette de verrouillage de biseau et la poignée de blocage d'onglet sont bien verrouillées. Elles doivent être reverrouillées après tout changement d'onglet ou de biseau.

Le tableau en fin de manuel (Tableau 1) vous aidera à sélectionner les paramètres corrects de biseau ou d'onglet pour les coupes d'onglet mixtes courantes. Pour utiliser le tableau, sélectionnez l'angle A souhaité (Fig. 24) pour votre projet et recherchez cet angle sur l'arc

FIG. 24



adéquat du tableau. Tracez un trait vertical à partir de ce point pour lire l'angle de biseau adéquat et un trait horizontal pour lire l'angle d'onglet adéquat.

Réglez votre scie sur les angles prescrits et effectuez quelques coupes d'essai. Entraînez-vous à assembler les pièces coupées jusqu'à maîtriser cette procédure.

**Exemple :** pour fabriquer une boîte à quatre côtés avec des angles extérieurs à 26° (Angle A, Figure 24), utilisez l'arc supérieur droit. Trouvez la valeur 26° sur l'échelle de l'arc. Suivez la ligne horizontale intersectante jusqu'à l'un des deux axes pour obtenir le réglage de l'angle d'onglet pour votre scie (42°). Suivez de même la ligne verticale intersectante vers le bas ou vers le haut pour obtenir le réglage de l'angle de biseau pour la scie (18°). Essayez toujours les coupes sur des chutes de bois afin de vérifier les réglages de la scie.

### Découpe de moulures de base (Fig. 25)

EFFECTUEZ TOUJOURS UN ESSAI À BLANC SANS ALIMENTATION AVANT D'ENTAMER TOUTE COUPE.

Coupes droites à 90° :

Placez le bois contre le guide et maintenez-le en place comme illustré à la Figure 25.

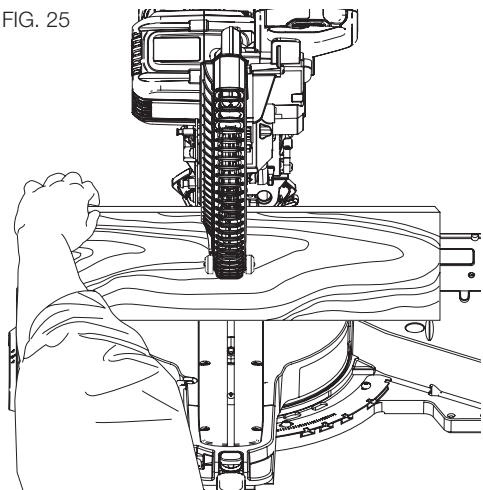
Mettez la scie en marche, laissez la lame atteindre son plein régime et abaissez doucement le bras à travers la coupe.

### DÉCOUPE DE MOULURE DE BASE DE 76 À 171 mm (3 à 6,75 po) DE HAUTEUR VERTICALEMENT CONTRE LE GUIDE

**REMARQUE :** utilisez le levier de verrouillage à glissière (AN), illustré en Figure 10, pour découper des moulures de base de 76 à 171 mm (3 à 6,75 po) de hauteur verticalement contre le guide.

Placez le matériau comme illustré à la Figure 25.

FIG. 25



Toutes les coupes devraient être effectuées avec l'arrière de la moulure appuyé contre le guide et le bas de la moulure contre la table.

COIN INTÉRIEUR		COIN EXTÉRIEUR
Côté gauche	Onglet gauche à 45° Conservez le côté gauche de la coupe	Onglet droit à 45° Conservez le côté gauche de la coupe
Côté droit	Onglet droit à 45° Conservez le côté droit de la coupe	Onglet gauche à 45° Conservez le côté droit de la coupe

Du matériel jusqu'à 171 mm (6,75 po) peut être coupé comme indiqué ci-dessus.

### Découpe de moulures couronnées

Votre scie à onglet est bien adaptée à la découpe des moulures couronnées. Afin de s'ajuster correctement, les moulures couronnées doivent être découpées à l'onglet avec une précision extrême.

Les deux surfaces plates d'un morceau de moulure couronnée donné sont à des angles dont la somme est exactement 90°. La majorité, mais non la totalité, des moulures couronnées ont un angle arrière supérieur (la section qui s'adapte à plat contre le plafond) de 52° et un angle arrière inférieur (la partie qui s'adapte à plat contre le mur) de 38°.

Votre scie à onglet comporte des points de loquet d'onglet prédéfinis à 31,62° à gauche et à droite pour découper des moulures couronnées à l'angle adéquat, et des cliquets de butée de biseau à 33,9° à gauche et à droite. Une marque est également présente sur l'échelle de biseau à 33,9°.

Le tableau suivante indique les paramètres appropriés pour la découpe de moulures couronnées. (Les paramètres d'onglet et de biseau sont très précis et ne sont pas facile à régler précisément sur votre scie). Comme les angles de la plupart de pièces ne sont pas exactement de 90°, il vous faudra dans tous les cas ajuster vos réglages.

#### IL EST EXTRÊMEMENT IMPORTANT D'EFFECTUER DES TESTS PRÉLIMINAIRES AVEC DES CHUTES DE BOIS!

#### INSTRUCTION POUR LA DÉCOUPE DE MOULURES COURONNÉES À PLAT ET EN UTILISANT LES ONGLETS MIXTES (FIG. 26)

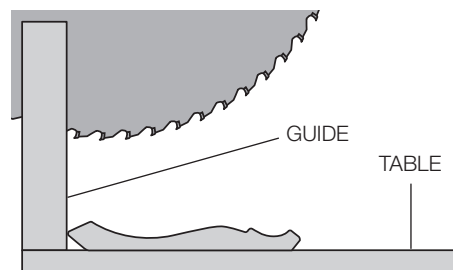
1. Les moulures doivent reposer à plat, avec leur partie arrière large contre la table de scie (Fig. 26).
2. Partie supérieure de la moulure contre le guide.
3. Les réglages ci-dessous s'appliquent aux moulures couronnées standard (É-U) avec des angles de 52° et 38°.

COIN INTÉRIEUR		COIN EXTÉRIEUR
Côté gauche	Biseau gauche à 33,9° Table d'onglet réglée à droite à 31,62° Conservez le côté gauche de la coupe	Biseau droit à 33,9° Table d'onglet réglée à gauche à 31,62° Conservez le côté gauche de la coupe
Côté droit	Biseau droit à 33,9° Table d'onglet réglée à gauche à 31,62° Conservez le côté droit de la coupe	Biseau gauche à 33,9° Table d'onglet réglée à droite à 31,62° Conservez le côté droit de la coupe

Lors du réglage d'onglet et de biseau pour tous les onglets mixtes, n'oubliez pas que :

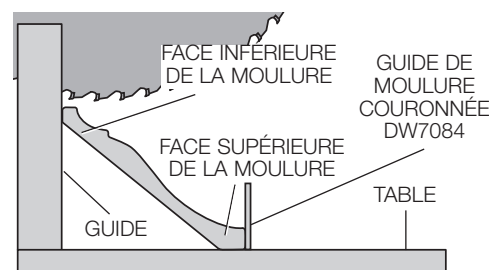
Les angles présentés pour les moulures couronnées sont très précis et difficiles à régler de manière exacte. Puisqu'ils peuvent facilement se décaler légèrement et que très peu de pièces présentent des angles exactement droits, tous les réglages doivent être testés auparavant sur des chutes de moulures.

FIG. 26



MOULURE COURONNÉE À PLAT SUR LA TABLE ET CONTRE LE GUIDE

FIG. 27



MOULURE COURONNÉE ENTRE GUIDE ET TABLE

**IL EST EXTRÊMEMENT IMPORTANT D'EFFECTUER DES TESTS PRÉLIMINAIRES AVEC DES CHUTES DE BOIS!**

**MÉTHODE ALTERNATIVE DE DÉCOUPE DE MOULURES COURONNÉES (FIG. 27)**

Placez la moulure sur la table en laissant un angle entre le guide et la table à scier, comme illustré à la Figure 27. L'utilisation de l'accessoire de guide pour moulures couronnées (DW7084) est fortement recommandée en raison de son degré de précision et de commodité (Se reporter à la section **Accessoires** en option). Cet accessoire est disponible auprès de votre concessionnaire local.

Avec cette méthode de découpe de moulure couronnée, aucune coupe biseautée n'est requise. Des modifications minimales peuvent être apportées à l'angle d'onglet sans affecter l'angle de biseau. Ainsi, en cas de coins autres qu'à 90°, il est possible d'ajuster rapidement et facilement la scie en conséquence. Utilisez l'accessoire de guide pour moulures couronnées afin de conserver l'angle que formera la moulure avec le mur.

**INSTRUCTIONS POUR DÉCOUPER DES MOULURES COURONNÉES OBLIQUES ENTRE LE GUIDE ET LA BASE DE LA SCIE POUR TOUTE COUPE**

- Orientez la moulure de façon à ce que le dessous (la partie qui sera contre le mur à l'installation) soit contre le guide et le dessus repose sur la table de scie, comme illustré en Figure 27.
- Les facettes angulaires à l'arrière de la moulure doivent reposer à angle droit contre le guide et la table de scie.

	COIN INTÉRIEUR	COIN EXTÉRIEUR
Côté gauche	Onglet droit à 45° Conservez le côté droit de la coupe	Onglet gauche à 45° Conservez le côté droit de la coupe
Côté droit	Onglet gauche à 45° Conservez le côté gauche de la coupe	Onglet droit à 45° Conservez le côté gauche de la coupe

**Découpes spéciales**

**N'EFFECTUEZ JAMAIS AUCUNE DÉCOUPE SI LE MATÉRIEL N'EST PAS MAINTENU EN PLACE SUR LA TABLE ET CONTRE LE GUIDE.**

**DÉCOUPE D'ALUMINIUM (FIG. 28, 29)**

UTILISEZ TOUJOURS DES LAMES DE SCIE APPROPRIÉES SPÉCIALEMENT CONÇUES POUR LA DÉCOUPE D'ALUMINIUM. Elles sont disponibles auprès de votre revendeur DEWALT local ou d'un centre de service DEWALT. À cause de leur taille, de leur forme ou de l'aspect de leur surface, certaines pièces peuvent nécessiter l'utilisation de pinces ou

de fixations pour éviter tout mouvement durant la découpe. Positionnez le matériel de telle sorte que vous couperez la section transversale la plus fine, tel qu'illustré à la Figure 28. La Figure 29 illustre la mauvaise manière de couper ces extrusions.

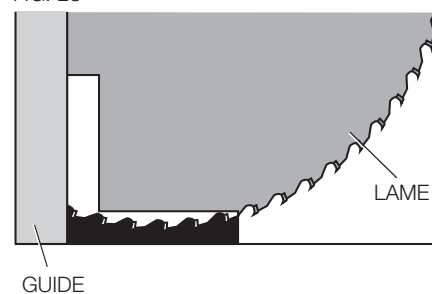
Utilisez un lubrifiant de coupe en cire en bâton lors de la découpe d'aluminium. Appliquez directement le lubrifiant de coupe en cire en bâton sur la lame de scie avant d'entamer l'opération de coupe. N'appliquez jamais de cire en bâton sur une lame en mouvement.

La cire est disponible auprès de la majorité des quincailleries et des magasins de fourniture en minoterie; elle apporte une lubrification adaptée et empêche les copeaux d'adhérer à la lame.

Veillez à bien fixer la pièce.

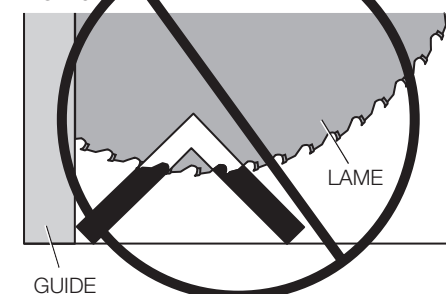
Consulter **Lames de scie** sous **Accessoires facultatifs** pour connaître les lames de scie appropriées.

FIG. 28



CORRECT

FIG. 29

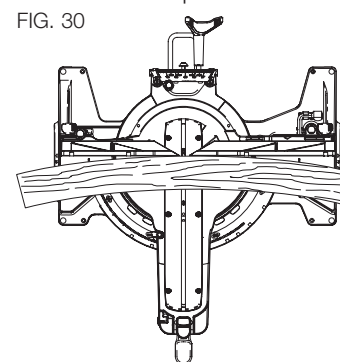


INCORRECT

**MATÉRIEL ARQUÉ (FIG. 30, 31)**

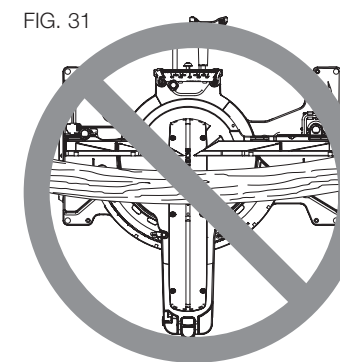
Lors de la découpe de matériel arqué, placez toujours ce dernier comme illustré à la Figure 30 et jamais comme illustré à la Figure 31. Si vous placez incorrectement le matériel, il pincera la lame un peu avant la fin de la coupe.

FIG. 30



CORRECT

FIG. 31



INCORRECT

**DÉCOUPE DE TUYAU EN PLASTIQUE OU D'AUTRE MATÉRIEL ROND**

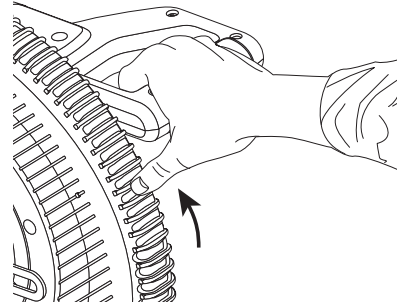
Il est facile de couper des tuyaux en plastique avec votre scie. Il faut les couper exactement de la même manière que du bois et les pincer ou **LES MAINTENIR FERMEMENT CONTRE LE GUIDE POUR LES EMPÊCHER DE ROULER**. Cela est extrêmement important lors de découpes en angle.



**DÉCOUPE DE GRANDS MATÉRIAUX ((FIG. 32))**

Occasionnellement, vous rencontrerez une pièce de bois un peu trop grande pour rentrer sous le pare-main inférieur. Si cela se produit, placez simplement votre pouce droit sur la partie supérieure du pare-main, puis remontez le pare-main juste assez pour libérer la pièce comme le montre la Figure 32. Évitez de procéder ainsi autant que possible, mais s'il le faut, la scie fonctionnera bien et réalisera une plus grosse coupe. **NE JAMAIS ATTACHER, COLLER NI FIXER LE PARE-MAIN DE MANIÈRE À LE MAINTENIR OUVERT DURANT L'UTILISATION DE CETTE SCIE.**

FIG. 32

**CONFIGURATION SPÉCIALE POUR LES COUPES TRANSVERSALES LARGES (FIG. 33, 34)**

Votre scie peut couper des pièces très larges (jusqu'à 409 mm [16,1 po]) en utilisant une configuration spéciale. Pour ce faire, suivez la procédure suivante :

1. Retirez les deux guides coulissants, gauche et droit, de la scie et mettez-les de côté. Pour les enlever, dévissez les molettes d'ajustement du guide de plusieurs tours et faites glisser chaque guide vers l'extérieur. Ajustez et verrouillez la commande d'onglet sur l'onglet à 0°.
2. Façonnez une plate-forme à l'aide d'une pièce de 38 mm (1,5 po) d'aggloméré épais ou d'un morceau de bois plat similaire de 38 mm d'épaisseur aux dimensions suivantes : 368 x 660 mm (14,5 x 26 po). La plate-forme doit être plane afin que le matériau ne puisse pas se déplacer durant la découpe et causer des blessures.
3. Montez la plate-forme de 368 x 660 mm (14,5 x 26 po) sur la scie en passant 4 vis à bois de 76,2 mm (3 po) de longueur au travers des trous du guide de la base (Fig. 33). Il faut utiliser quatre vis pour fixer le matériau de manière adéquate. Lors de l'utilisation de cette configuration spéciale, la plate-forme sera coupée en deux morceaux. Assurez-vous que les vis sont bien serrées pour éviter que le matériau ne se desserre et puisse causer des blessures. Assurez-vous que la plate-forme est fermement à plat sur la table, contre le guide et centrée entre les bords gauche et droit.

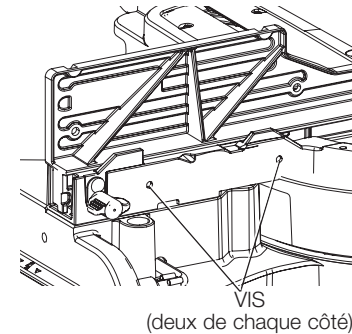
**⚠AVERTISSEMENT :** assurez-vous que la scie est fermement assemblée à une surface plane et stable. Si vous négligez de le faire, la scie pourrait devenir instable et tomber, en causant des blessures corporelles.

4. Placez la pièce à découper sur le dessus de la plate-forme fixée à la table. Assurez-vous que la pièce est fermement adossée contre l'arrière du guide de base (Fig. 34).
5. Fixez le matériau avant de le couper. Coupez lentement à travers le matériau en utilisant un mouvement extérieur-bas-et-retour. Négliger de fixer la pièce de manière sûre ou de couper lentement pourrait desserrer le matériau et causer des blessures.

Après plusieurs coupes à différents angles d'onglet, autres que 0°, la plate-forme peut se fragiliser et ne plus soutenir correctement les pièces à travailler. Installez une nouvelle plate-forme jamais utilisée sur la scie après avoir pré-régulé l'angle d'onglet désiré.

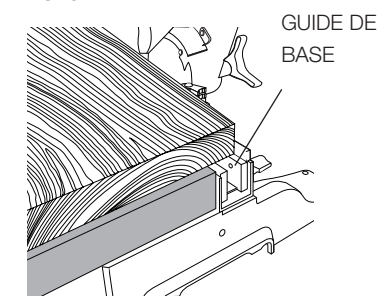
**⚠ATTENTION :** l'utilisation continue d'une plate-forme contenant plusieurs traits de scie peut entraîner une perte de maîtrise du matériel et des blessures possibles.

FIG. 33



(deux de chaque côté)

FIG. 34

GUIDE DE  
BASE**MAINTENANCE**

**⚠AVERTISSEMENT :** pour réduire tout risque de dommages corporels graves, arrêter l'outil et retirer les blocs-piles ou le bloc d'alimentation avant tout transport, réglage, entretien ou réparation ou avant de retirer ou installer toute pièce ou tout accessoire. Tout démarrage accidentel comporte des risques de dommages corporels.

**⚠AVERTISSEMENT :** pour réduire tout risque de dommages corporels graves, NE PAS toucher les pointes acérées de la lame avec les doigts ou les mains pendant l'entretien.

NE PAS utiliser de lubrifiant ou de nettoyant (particulièrement en vaporisateur ou en aérosol) à proximité du carter en plastique. Le matériau en polycarbonate utilisé pour le carter peut être attaqué par certains produits chimiques.

- L'ensemble des roulements est scellé hermétiquement. Ils sont lubrifiés à vie et ne nécessitent aucun autre entretien.
- Nettoyez périodiquement la poussière et les copeaux de bois autour ET SOUS la base et la table rotative. Même s'il existe des orifices pour laisser passer les débris, de la poussière s'accumulera.
- Les balais ont été conçus pour une utilisation de plusieurs années. S'il est nécessaire de les changer, apportez l'outil auprès du centre de réparation le plus proche.

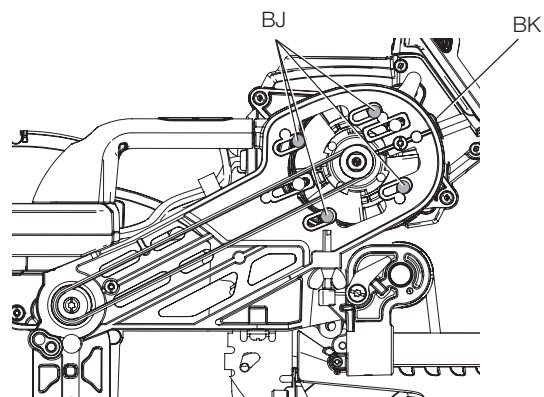
**Retrait et remplacement de la courroie (Fig. 4, 35)**

La courroie a été conçue pour tenir toute la durée de vie de l'outil. Cependant, l'abus de l'outil pourra causer la défaillance de la courroie.

Si la lame refuse de tourner alors que le moteur tourne, c'est un problème de courroie. Pour vérifier ou remplacer la courroie, retirez les vis du couvercle de courroie. Retirez le couvercle de courroie. Vérifiez que les nervures de la courroie ne sont pas usées ou défaillantes. Vérifiez la tension de la courroie en la pinçant. Les deux côtés de la courroie devraient presque se toucher en la pinçant fermement entre le pouce et l'index. Pour ajuster la tension, desserrez sans les enlever les quatre vis en croix (BJ). Puis tournez la vis de pression (BK) sur le dessus de la plaque moulée du moteur jusqu'à atteindre la tension désirée. Resserrez soigneusement les quatre vis et réinstallez le couvercle de courroie.

**AVIS :** trop serrer la courroie causera la défaillance prématurée du moteur.

FIG. 35



## Entretien

**⚠AVERTISSEMENT :** expulser tout débris ou poussière des orifices d'aération et des mécanismes de protection (le cas échéant) à l'aide d'un jet d'air pur et sec au moins une fois par semaine. Pour réduire tout risque de lésions oculaires, porter systématiquement une protection oculaire agréée ANSI Z87.1 et une protection respiratoire pour effectuer cette opération.

**⚠AVERTISSEMENT :** ne jamais utiliser de solvants ou tout autre produit chimique décapant pour nettoyer les parties non métalliques de l'outil. Ces produits chimiques pourraient en attaquer les matériaux plastiques utilisés. Utiliser seulement un chiffon humidifié d'eau et un savon doux. Ne laisser aucun liquide pénétrer dans l'outil. Ne jamais immerger aucune partie de l'outil dans un liquide.

### ENTRETIEN DU BLOC D'ALIMENTATION FILAIRE DEWALT

**⚠AVERTISSEMENT :** ne jamais utiliser de solvants ou tout autre produit chimique décapant pour nettoyer les parties non métalliques de l'outil. Ces produits chimiques pourraient en attaquer les matériaux plastiques utilisés. Utiliser seulement un chiffon humidifié d'eau et un savon doux. Ne laisser aucun liquide pénétrer dans l'outil. Ne jamais immerger aucune partie de l'outil dans un liquide.

### ENTRETIEN DU RÉCEPTACLE DU BLOC D'ALIMENTATION FILAIRE

**⚠AVERTISSEMENT :** éliminer les débris du réceptacle du bloc d'alimentation filaire (BF) avec de l'air pur et sec. Pour réduire tout risque de lésions oculaires, porter systématiquement une protection oculaire agréée ANSI Z87.1 et une protection respiratoire pour effectuer cette opération.

### ENTRETIEN DE LA CONDUITE À POUSSIÈRE

Suivant l'environnement de coupe, la sciure pourra boucher la conduite à poussière empêchant ainsi l'élimination correcte de la poussière de la zone de coupe. Une fois les blocs-piles ou le bloc d'alimentation filaire retirés et la tête de scie complètement relevée, utilisez de l'air comprimé, faible intensité, ou une tige de large diamètre pour déboucher la conduite à poussière.

### ENTRETIEN DE LA LAMPE DE TRAVAIL CUTLINE<sup>MC</sup>

Pour optimiser les performances de la lampe de travail, effectuez régulièrement l'entretien suivant alors que les blocs-piles ou le bloc d'alimentation filaire sont retirés.

- Nettoyez soigneusement la lentille de toute poussière ou tout débris avec un coton-tige.
- N'utilisez AUCUN solvant, car ils pourraient endommager la lentille.

- L'accumulation de poussière pourra bloquer la lampe de travail et l'empêcher d'indiquer avec précision la ligne de coupe.
- Suivez les indications de la section Retrait et installation de la lame du guide d'utilisation de la scie à onglet.
- Alors que la lame a été retirée de la scie, nettoyez toute résine et accumulation sur la lame. La résine et les débris peuvent interférer avec la lampe de travail et l'empêcher d'indiquer avec précision la ligne de coupe.

## Accessoires

**⚠AVERTISSEMENT :** comme les accessoires autres que ceux offerts par DEWALT n'ont pas été testés avec ce produit, leur utilisation avec cet appareil pourrait comporter un danger. Pour réduire tout risque de dommages corporels, seuls des accessoires DEWALT recommandés doivent être utilisés avec cet appareil.

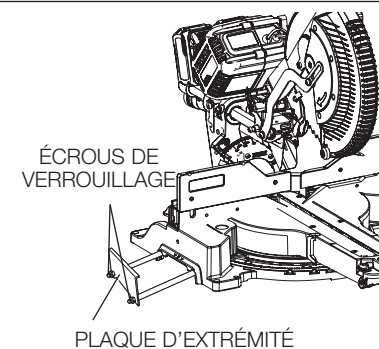
Les accessoires recommandés avec cet outil sont vendus séparément chez votre distributeur local ou dans les centres de réparation autorisés. Si vous avez besoin d'aide pour localiser ces accessoires, veuillez contacter DEWALT Industrial Tool Co., 701 East Joppa Road, Towson, MD 21286 U.S.A. appeler le 1-800-4- DEWALT (1-800-433-9258) ou vous rendre sur notre site : [www.dewalt.com](http://www.dewalt.com).

### ACCESSOIRES EN OPTION

Les accessoires suivants, conçus spécialement pour votre scie, pourront vous aider. Dans certains cas, d'autres supports de travail, butées longitudinales, serre-joints, etc., obtenus localement pourront être plus appropriés. Sélectionnez et utilisez soigneusement vos accessoires.

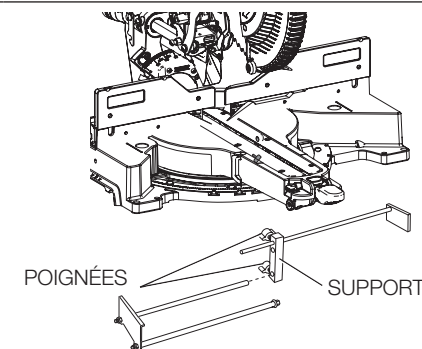
Support d'ouvrage télescopique : DW7080

Il est utilisé pour soutenir de longues pièces qui dépassent. Le support d'ouvrage est assemblé par l'utilisateur. La base de la scie a été conçue pour recevoir deux supports d'ouvrage, un de chaque côté.

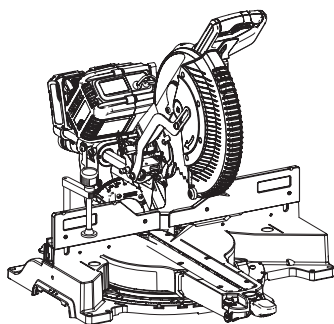


Butée réglable : DW7051

Nécessite l'utilisation d'un support d'ouvrage (DW7080). Elle sert à effectuer des découpes répétitives de même longueur (comprise entre 0 et 107 cm [42 po]).



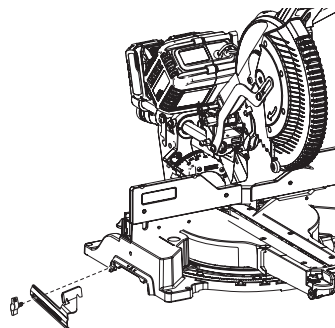
Bride de fixation : Sert à fixer fermement la pièce sur la table à scier DW7082 (modèle semblable inclus) pour une découpe de précision.



Sac à poussière : Équipé d'une fermeture à glissière pour un vidage facile, le sac à poussière capture la plus grande partie de la sciure produite.



Guide de moulures couronnées : Sert pour la découpe de précision de moulures couronnées. DW7084



**LAMES DE SCIE : TOUJOURS UTILISER DES LAMES DE SCIE DE 305 mm (12 po) AVEC UN ALÉSAGE CENTRAL DE SOIT 25,4 mm (1 po) SOIT 15,88 mm (5/8 po). LE RÉGIME DOIT ÊTRE AU MOINS DE 4 800 TR/MIN. Ne jamais utiliser de lames de diamètre inférieur. Le protège-lame ne serait pas adéquat. Utiliser uniquement des lames à tronçonner ! Ne pas utiliser de lames conçues pour un sciage rapide, des lames combinées ou des lames à crochets d'un angle supérieur à 7°.**

DESCRIPTION DES LAMES		
APPLICATION	DIAMÈTRE	DENTS
<b>Lames de scie de construction</b> ( <i>fin trait de scie avec côté anticollant</i> )		
Polyvalente	305 mm (12 po)	40
Tronçonnage fin	305 mm (12 po)	60
<b>Lames de scie pour travail du bois</b> ( <i>fournissent des coupes propres et régulières</i> )		
Tronçonnage fin	305 mm (12 po)	80
Métaux non ferreux	305 mm (12 po)	96

**REMARQUE :** pour couper des métaux non ferreux, utiliser seulement des lames à dents TCG (broyeur de particules triple) conçues à cet effet.

## Réparations

Le chargeur, le bloc d'alimentation et les blocs-piles ne sont pas réparables. Le chargeur, le bloc d'alimentation et les blocs-piles ne comportent aucune pièce réparable.

**⚠AVERTISSEMENT :** pour assurer la **SÉCURITÉ** et la **FIABILITÉ** du produit, les réparations, l'entretien et les réglages doivent être réalisés (cela comprend l'inspection et le remplacement du balai) par un centre de réparation en usine DeWALT ou un centre de réparation agréé DeWALT. Toujours utiliser des pièces de rechange identiques.

## Information sur les réparations ou l'entretien

Avoir en main les informations suivantes pour tous les appels concernant une réparation ou un entretien :

Numérodumodèle \_\_\_\_\_ Numérodesérie \_\_\_\_\_

Date et lieu de l'achat \_\_\_\_\_

## Registre en ligne

Merci pour votre achat. Enregistrez dès maintenant votre produit:

- **RÉPARATIONS SOUS GARANTIE:** cette carte remplie vous permettra de vous prévaloir du service de réparations sous garantie de façon plus efficace dans le cas d'un problème avec le produit.
- **CONFIRMATION DE PROPRIÉTÉ:** en cas de perte provoquée par un incendie, une inondation ou un vol, cette preuve de propriété vous servira de preuve auprès de votre compagnie d'assurances.
- **SÉCURITÉ:** l'enregistrement de votre produit nous permettra de communiquer avec vous dans l'éventualité peu probable de l'envoi d'un avis de sécurité régi par la loi fédérale américaine de la protection des consommateurs.

Registre en ligne à [www.dewalt.com/register](http://www.dewalt.com/register).

## Garantie limitée de trois ans

DEWALT réparera, sans frais, tout produit défectueux causé par un défaut de matériel ou de fabrication pour une période de trois ans à compter de la date d'achat. La présente garantie ne couvre pas les pièces dont la défectuosité a été causée par une usure normale ou l'usage abusif de l'outil. Pour obtenir de plus amples renseignements sur les pièces ou les réparations couvertes par la présente garantie, visiter le site [www.dewalt.com](http://www.dewalt.com) ou composer le 1 800 433-9258 (1 800 4-DEWALT). Cette garantie ne s'applique pas aux accessoires et ne vise pas les dommages causés par des réparations effectuées par un tiers. Cette garantie confère des droits légaux particuliers à l'acheteur, mais celui-ci pourrait aussi bénéficier d'autres droits variant d'un état ou d'une province à l'autre.

En plus de la présente garantie, les outils DEWALT sont couverts par notre :

### CONTRAT D'ENTRETIEN GRATUIT D'UN AN

DEWALT entretiendra l'outil et remplacera les pièces usées au cours d'une utilisation normale et ce, gratuitement, pendant une période d'un an à compter de la date d'achat.

### CONTRAT D'ENTRETIEN GRATUIT DE DEUX ANS SUR LES BLOC-PILES DEWALT

DC9071, DC9091, DC9096, DC9182, DC9280, DC9360, DCB120, DCB127, DCB201, DCB203, DCB203BT, DCB207, DCB361

### CONTRAT D'ENTRETIEN GRATUIT DE TROIS ANS SUR LES BLOC-PILES DEWALT

DCB200, DCB204, DCB204BT, DCB205, DCB606



## BLOCS-PILES DEWALT

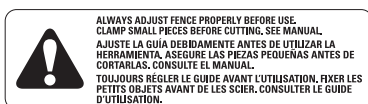
La garantie de se produit sera annulée si le bloc-piles a été altéré de quelque façon que ce soit. DEWALT ne peut être tenu responsable de tout dommage corporel causé par l'altération du produit et pourra poursuivre toute fraude en matière de garantie dans toute l'étendue permise par la loi.

### GARANTIE DE REMBOURSEMENT DE 90 JOURS

Si l'acheteur n'est pas entièrement satisfait, pour quelque raison que ce soit, du rendement de l'outil électrique, du laser ou de la cloueuse DEWALT, celui-ci peut le retourner, accompagné d'un reçu, dans les 90 jours à compter de la date d'achat pour obtenir un remboursement intégral, sans aucun problème.

**AMÉRIQUE LATINE :** cette garantie ne s'applique aux produits vendus en Amérique latine. Pour ceux-ci, veuillez consulter les informations relatives à la garantie spécifique présente dans l'emballage, appeler l'entreprise locale ou consulter le site Web pour les informations relatives à cette garantie.

**REPLACEMENT GRATUIT DES ÉTIQUETTES D'AVERTISSEMENT :** si les étiquettes d'avertissement deviennent illisibles ou sont manquantes, composer le 1 800 433-9258 (1 800 4-DEWALT) pour en obtenir le remplacement gratuit.



**WARNING** FOR YOUR OWN SAFETY READ INSTRUCTION MANUAL BEFORE OPERATING MITER SAW. KEEP HANDS OUT OF PATH OF SAW BLADE. DO NOT OPERATE SAW WITHOUT GUARDS IN PLACE. CHECK LOWER GUARD FOR PROPER CLOSING BEFORE EACH USE. ALWAYS TIGHTEN ADJUSTMENT KNOBS BEFORE USE. DO NOT PERFORM ANY OPERATION FRESHAND. NEVER REACH IN BACK OF SAW BLADE. NEVER CROSS ARMS IN FRONT OF BLADE. TURN OFF TOOL AND WAIT FOR SAW BLADE TO STOP BEFORE MOVING WORKPIECE. CHANGING SETTINGS OR MOVING HANDS, DISCONNECT POWER BEFORE CHANGING BLADE OR SERVICING. TO REDUCE THE RISK OF INJURY, RETURN CARRIAGE TO THE FULL REAR POSITION AFTER EACH CROSSCUT OPERATION. THINK! YOU CAN PREVENT ACCIDENTS.

**ADVERTENCIA** PARA SU PROPIA PROTECCIÓN, POR FAVOR LEA DETENIDAMENTE EL MANUAL DE INSTRUCCIONES ANTES DE PONER EN MARCHA LA SIERRA DE INGLETE. MANTENGA LAS MANOS FUERA DEL PASO DE LA HOJA. NO HAGA FUNCIONAR LA SIERRA SIN HABER INSTALADO LOS CERRILLOS. ASEGURE QUE LA GUARDA INFERIOR SE ENCUENTRE EN LA POSICIÓN DE CIERRE ANTES DE CADA APLICACIÓN. SIEMPRE APRETE LAS PERILLAS DE AJUSTE ANTES DE ACCIONAR LA HERRAMIENTA. JAMÁS REALICE OPERACIONES DE MANOS LIBRES. JAMÁS ALCANCE POR DETRÁS DE LA HOJA. JAMÁS CRUCE LOS BRAZOS EN FRENTE DE LA HOJA. APARQUE LA HERRAMIENTA Y ESPERE QUE LA HOJA SE DETENGA POR COMPLETO ANTES DE RETORAR LA PIEZA DE TRABAJO. ANTES DE AJUSTAR LA SIERRA O ANTES DE MOVER LAS MANOS, DESCONECTE LA HERRAMIENTA ANTES DE PRESTARLE MANTENIMIENTO O ANTES DE CAMBIAR LA HOJA. A FIN DE REDUCIR EL RIESGO DE LESIONES PERSONALES, REGRESE EL CARRO COMPLETAMENTE PARA ATRÁS DESPUÉS DE CADA CORTE TRANSVERSAL. ¡USE EL SENTIDO COMÚN! ¡USTED PUEDE EVITAR LOS ACCIDENTES.

**AVERTISSEMENT** PAR MESURE DE SÉCURITÉ, LIRE LE GUIDE D'UTILISATION AVANT DE SE SERVIR DE LA SCIE À ONGLETS. ÉLOIGNER LES MAINS DE LA TRAJECTOIRE DE LA LAME. NE PAS UTILISER LA SCIE SANS LES PROTECTEURS EN PLACE. VÉRIFIER LA FERMETURE APPROPRIÉE DU PROTECTEUR INFÉRIEUR AVANT CHAQUE UTILISATION. TOUJOURS SERRER LES BOUTONS DE RÉGLAGE AVANT CHAQUE UTILISATION. NE PAS EFFECTUER DE TRAVAUX À MAINS LIBRES. NE JAMAIS S'ETIRER VERS L'ARRIÈRE DE LA LAME DE LA SCIE. NE JAMAIS SE CROISER LES BRAS À L'AVANT DE LA LAME. METTRE L'OUTIL HORS TENSION ET ATTENDRE L'IMMOBILISATION COMPLÈTE DE LA LAME AVANT DE DÉPLACER LA PIÈCE À TRAVAIL. AVANT DE MODIFIER LES RÉGLAGES DE LA SCIE OU DE DÉPLACER SES MAINS, DÉBRANCHER L'OUTIL AVANT DE REMPLACER LA LAME OU DE FAIRE L'ENTRETIEN DE LA SCIE. AFIN DE MINIMISER LES RISQUES DE BLESSURES, RETOURNER LE CHARIOT À SA POSITION ARRIÈRE COMPLÈTE APRÈS CHAQUE COUPE TRANSVERSALE. IL SUFFIT DE PENSER! ON PEUT PRÉVENIR LES ACCIDENTS.

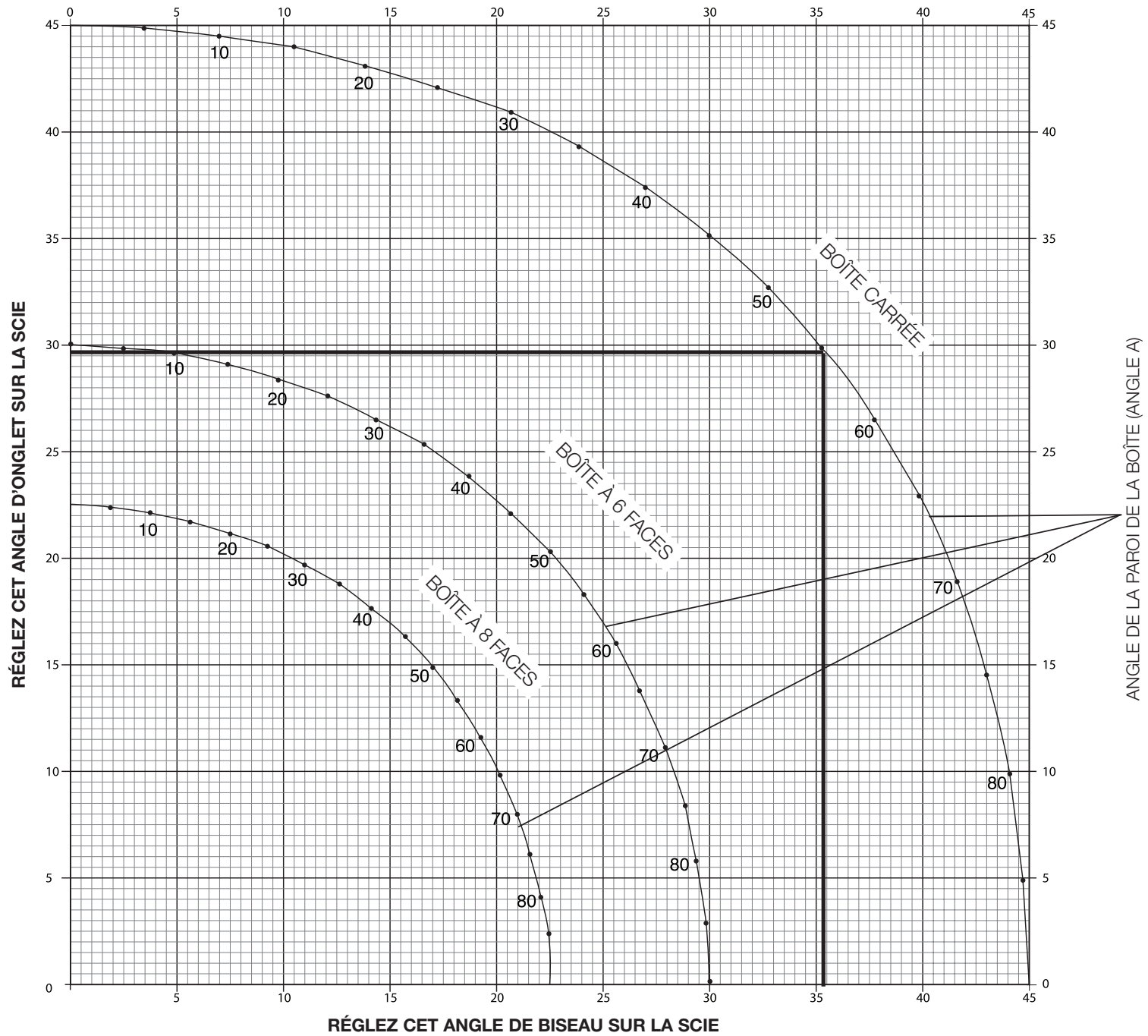
## **Guide de dépannage**

### **VEILLEZ À SUIVRE LES RÈGLES ET CONSIGNES DE SÉCURITÉ**

<b>PROBLÈME !</b>	<b>QUEL EST LE PROBLÈME ?</b>	<b>QUE FAIRE...</b>
<b>La scie refuse de démarrer</b>	1. Blocs-piles ou bloc d'alimentation pas installés	1. Installer blocs-piles ou bloc d'alimentation. Se reporter à la section <b>Installation et retrait des blocs-piles</b> ou <b>Installation et retrait du bloc d'alimentation filaire</b> DEWALT.
	2. Blocs-piles ou bloc d'alimentation mal insérés	2. Vérifier que les blocs-piles ou le bloc d'alimentation sont bien verrouillés. Vérifier que la fiche d'adaptation CA dans le boîtier du moteur ne comporte aucun débris. Se reporter aux instructions <b>d'Entretien du bloc d'alimentation filaire</b> DEWALT.
	3. Blocs-piles non chargés	3. Recharger les blocs-piles. Se reporter à la section <b>Procédure de charge</b> .
	4. Cordon d'alimentation non branché	4. Brancher la scie.
	5. Cordon endommagé	5. Faire remplacer le cordon par un centre de service autorisé.
	6. Un fusible a sauté ou le circuit a disjoncté	6. Changer le fusible ou réenclencher le disjoncteur.
	7. Surchauffe de la scie	7. Attendre quelques minutes que la scie refroidisse.
	8. Surchauffe des blocs-piles	8. Attendre quelques minutes que les blocs-piles refroidissent.
<b>Les découpes effectuées par la scie ne sont pas satisfaisantes</b>	1. Lame émoussée	1. Remplacez la lame. Consulter <b>Changement ou pose d'une nouvelle lame de scie</b> .
	2. Lame montée à l'envers	2. Renversez la lame. Consulter <b>Changement ou pose d'une nouvelle lame de scie</b> .
	3. Gomme ou résine sur la lame	3. Retirez la lame et nettoyez avec de la laine d'acier grossière et de la térébenthine ou un nettoyant ménager pour four.
	4. Lame inadéquate pour le travail effectué	4. Changez de type de lame. Consulter <b>Description Des Lames</b> sous <b>Accessoires facultatifs</b> .
<b>La lame n'atteint pas son plein régime</b>	1. La rallonge est trop légère ou trop longue	1. Remplacez-la par une rallonge de taille adéquate. Consulter <b>Calibre minimum pour rallonge</b> sous <b>Consignes de sécurité importantes</b> .
	2. Courant domestique trop bas	2. Contactez votre fournisseur d'électricité.
<b>La scie vibre démesurément</b>	1. La scie n'est pas correctement fixée sur le tréteau ou l'établi	1. Vissez bien tout le matériel d'assemblage. Consulter <b>Montage sur établi</b> .
	2. Le tréteau ou l'établi est sur un sol irrégulier	2. Repositionnez-le sur une surface plane. Consulter <b>Familiarisation</b> .
	3. Lame de scie endommagée	3. Remplacez la lame. Consulter <b>Changement ou pose d'une nouvelle lame de scie</b> .
<b>La scie ne coupe pas bien les onglets</b>	1. L'échelle d'onglet n'est pas correctement réglée	1. Vérifiez et ajustez. Consulter <b>Réglage de l'échelle d'onglet</b> sous <b>Réglages</b> .
	2. La lame n'est pas d'équerre par rapport au guide	2. Vérifiez et ajustez. Consulter <b>Réglage de l'échelle d'onglet</b> sous <b>Réglages</b> .
	3. La lame n'est pas perpendiculaire à la table	2. Vérifiez et ajustez le guide. Consulter <b>Ajustement d'une fausse équerre à la table</b> sous <b>Réglages</b> .
	4. La pièce à découper se déplace	4. Fixez-la au guide ou collez du papier abrasif de calibre 120 sur le guide à l'aide de colle de caoutchouc
<b>Le matériau pince la lame</b>	1. Découpe de matériau arqué	1. Consulter <b>Matériau arqué</b> sous <b>Découpes spéciales</b> .
<b>La lampe de travail CUTLINE<sup>MC</sup> clignote</b>	1. Insuffisance de charge des blocs-piles	1. Recharger les blocs-piles. Se reporter à la section <b>Chargement des blocs-piles</b> .
	2. Blocs-piles chauds	2. Attendre quelques minutes que les blocs-piles refroidissent.

### TABLEAU 1 COUPE À ONGLET MIXTE

(POSITIONNEZ LE MORCEAU DE BOIS AVEC LE LARGE CÔTÉ PLAT CONTRE LA TABLE ET L'ARÊTE ÉTROITE CONTRE LE GUIDE.)





## Definiciones: Símbolos y palabras de alerta de seguridad

Este manual de instrucciones utiliza los siguientes símbolos y palabras de alerta de seguridad para alertarle de situaciones peligrosas y del riesgo de lesiones corporales o daños materiales.

**▲ PELIGRO:** Indica una situación de peligro inminente que, si no se evita, provocará **la muerte o lesiones graves**.

**▲ ADVERTENCIA:** Indica una situación de peligro potencial que, si no se evita, **podría provocar la muerte o lesiones graves**.

**▲ ATENCIÓN:** Indica una situación de peligro potencial que, si no se evita, **posiblemente provocaría lesiones leves o moderadas**.

**▲** (Utilizado sin palabras) indica un mensaje de seguridad relacionado.

**AVISO:** Se refiere a una práctica **no relacionada a lesiones corporales** que de no evitarse **puede** resultar en **daños a la propiedad**.

SI TIENE ALGUNA DUDA O ALGÚN COMENTARIO SOBRE ÉSTA U OTRA HERRAMIENTA DEWALT, LLÁMENOS AL NÚMERO GRATUITO: **1-800-4-DEWALT (1-800-433-9258)**.



**ADVERTENCIA:** Para reducir el riesgo de lesiones, lea el manual de instrucciones.

## Advertencias generales de seguridad para herramientas eléctricas

**▲ ¡ADVERTENCIA!** lea todas las advertencias de seguridad, las instrucciones, ilustraciones y especificaciones provistas con esta herramienta eléctrica. El incumplimiento de las instrucciones que se indican a continuación podría provocar una descarga eléctrica, un incendio y/o lesiones graves.

### CONSERVE TODAS LAS ADVERTENCIAS E INSTRUCCIONES PARA FUTURAS CONSULTAS

El término "herramienta eléctrica" incluido en las advertencias hace referencia a las herramientas eléctricas operadas con corriente (con cable eléctrico) o a las herramientas eléctricas operadas con baterías (inalámbricas).

#### 1) SEGURIDAD EN EL ÁREA DE TRABAJO

- Mantenga el área de trabajo limpia y bien iluminada.** Las áreas abarrotadas y oscuras propician accidentes.
- No opere las herramientas eléctricas en atmósferas explosivas, como ambientes donde haya polvo, gases o líquidos inflamables.** Las herramientas eléctricas originan chispas que pueden encender el polvo o los vapores.
- Mantenga alejados a los niños y a los espectadores de la herramienta eléctrica en funcionamiento.** Las distracciones pueden provocar la pérdida de control.

#### 2) SEGURIDAD ELÉCTRICA

- Los enchufes de la herramienta eléctrica deben adaptarse al tomacorriente. Nunca modifique el enchufe de ninguna manera. No utilice ningún enchufe adaptador con herramientas eléctricas con conexión a tierra.** Los enchufes no modificados y que se adaptan a los tomacorrientes reducirán el riesgo de descarga eléctrica.
- Evite el contacto corporal con superficies con descargas a tierra como, por ejemplo, tuberías, radiadores, cocinas eléctricas y refrigeradores.** Existe mayor riesgo de descarga eléctrica si su cuerpo está puesto a tierra.

- No exponga las herramientas eléctricas a la lluvia o a condiciones de humedad.** Si entra agua a una herramienta eléctrica, aumentará el riesgo de descarga eléctrica.
- No maltrate el cable. Nunca utilice el cable para transportar, tirar o desenchufar la herramienta eléctrica. Mantenga el cable alejado del calor, el aceite, los bordes filosos y las piezas móviles.** Los cables dañados o enredados aumentan el riesgo de descarga eléctrica.
- Al operar una herramienta eléctrica en el exterior, utilice un cable prolongador adecuado para tal uso.** Utilice un cable adecuado para uso en exteriores a fin de reducir el riesgo de descarga eléctrica.
- Si el uso de una herramienta eléctrica en un lugar húmedo es imposible de evitar, utilice un suministro protegido con un interruptor de circuito por falla a tierra (GFCI).** El uso de un GFCI reduce el riesgo de descargas eléctricas.

#### 3) SEGURIDAD PERSONAL

- Permanezca alerta, controle lo que está haciendo y utilice el sentido común cuando emplee una herramienta eléctrica. No utilice una herramienta eléctrica si está cansado o bajo el efecto de drogas, alcohol o medicamentos.** Un momento de descuido mientras se opera una herramienta eléctrica puede provocar lesiones personales graves.
- Utilice equipos de protección personal. Siempre utilice protección para los ojos.** En las condiciones adecuadas, el uso de equipos de protección, como máscaras para polvo, calzado de seguridad antideslizante, cascos o protección auditiva, reducirá las lesiones personales.
- Evite el encendido por accidente. Asegúrese de que el interruptor esté en la posición de apagado antes de conectarlo a la fuente de energía o paquete de baterías, o antes de levantar o transportar la herramienta.** Transportar herramientas eléctricas con el dedo apoyado en el interruptor o enchufar herramientas eléctricas con el interruptor en la posición de encendido puede propiciar accidentes.
- Retire la clavija de ajuste o la llave de tuercas antes de encender la herramienta eléctrica.** Una llave de tuercas o una clavija de ajuste que quede conectada a una pieza giratoria de la herramienta eléctrica puede provocar lesiones personales.
- No se estire. Conserve el equilibrio y párese adecuadamente en todo momento.** Esto permite un mejor control de la herramienta eléctrica en situaciones inesperadas.
- Use la vestimenta adecuada. No use ropas holgadas ni joyas. Mantenga el cabello, la ropa y los guantes alejados de las piezas en movimiento.** Las ropas holgadas, las joyas o el cabello largo pueden quedar atrapados en las piezas en movimiento.
- Si se suministran dispositivos para la conexión de accesorios con fines de recolección y extracción de polvo, asegúrese de que estén conectados y que se utilicen correctamente.** El uso de dispositivos de recolección de polvo puede reducir los peligros relacionados con el polvo.
- No se confíe e ignore los principios de seguridad de la herramienta por estar familiarizado con las herramientas debido a su uso frecuente.** Una acción descuidada puede ocasionar una lesión grave en una fracción de segundo.

#### 4) USO Y MANTENIMIENTO DE LA HERRAMIENTA ELÉCTRICA

- No fuerce la herramienta eléctrica. Utilice la herramienta eléctrica correcta para el trabajo que realizará.** Si se la utiliza a la velocidad para la que fue diseñada, la herramienta eléctrica correcta permite trabajar mejor y de manera más segura.
- No utilice la herramienta eléctrica si no puede encenderla o apagarla con el interruptor.** Toda herramienta eléctrica que no pueda ser controlada mediante el interruptor es peligrosa y debe repararse.
- Desconecte el enchufe de la fuente de energía o el paquete de baterías de la herramienta eléctrica antes de realizar ajustes, cambiar accesorios o almacenar**

**la herramienta eléctrica.** Estas medidas de seguridad preventivas reducen el riesgo de encender la herramienta eléctrica en forma accidental.

- d) **Guarde la herramienta eléctrica que no esté en uso fuera del alcance de los niños y no permita que otras personas no familiarizadas con ella o con estas instrucciones operen la herramienta.** Las herramientas eléctricas son peligrosas si son operadas por usuarios no capacitados.
- e) **Realice el mantenimiento de las herramientas eléctricas. Revise que no haya piezas en movimiento mal alineadas o trabadas, piezas rotas o cualquier otra situación que pueda afectar el funcionamiento de la herramienta eléctrica. Si encuentra daños, haga reparar la herramienta eléctrica antes de utilizarla.** Se producen muchos accidentes a causa de las herramientas eléctricas que carecen de un mantenimiento adecuado.
- f) **Mantenga las herramientas de corte afiladas y limpias.** Las herramientas de corte con mantenimiento adecuado y con los bordes de corte afilados son menos propensas a trabarse y son más fáciles de controlar.
- g) **Utilice la herramienta eléctrica, los accesorios y las brocas de la herramienta, etc. de acuerdo con estas instrucciones y teniendo en cuenta las condiciones de trabajo y el trabajo que debe realizarse.** El uso de la herramienta eléctrica para operaciones diferentes de aquéllas para las que fue diseñada podría originar una situación peligrosa.

#### 5) USO Y MANTENIMIENTO DE LA HERRAMIENTA CON BATERÍAS

- a) **Recargue solamente con el cargador especificado por el fabricante.** Un cargador adecuado para un tipo de paquete de baterías puede originar riesgo de incendio si se utiliza con otro paquete de baterías.
- b) **Utilice herramientas eléctricas sólo con paquetes de baterías específicamente diseñados.** El uso de cualquier otro paquete de baterías puede producir riesgo de incendio y lesiones.
- c) **Cuando no utilice el paquete de baterías, manténgalo lejos de otros objetos metálicos como sujetapapeles, monedas, llaves, clavos, tornillos u otros objetos metálicos pequeños que puedan realizar una conexión desde un terminal al otro.** Los cortocircuitos en los terminales de la batería pueden provocar quemaduras o incendio.
- d) **En condiciones abusivas, el líquido puede ser expulsado de la batería. Evite su contacto. Si entra en contacto accidentalmente, enjuague con agua. Si el líquido entra en contacto con los ojos, busque atención médica.** El líquido expulsado de la batería puede provocar irritación o quemaduras.
- e) **No utilice una batería o herramienta que esté dañada o modificada.** Las baterías dañadas o modificadas pueden funcionar de forma imprevisible y ocasionar un incendio, explosión o riesgo de lesión.
- f) **No exponga una batería o herramienta al fuego ni a una temperatura excesiva.** La exposición al fuego o a una temperatura superior a los 130 °C puede ocasionar una explosión.
- g) **Siga todas las instrucciones de carga y no cargue la batería o la herramienta fuera del rango de temperatura especificado en las instrucciones.** La carga inadecuada o a temperaturas fuera del rango especificado puede dañar la batería e incrementar el riesgo de incendio.

#### 6) SERVICIO

- a) **Lleve su herramienta eléctrica para que sea reparada por una persona calificada para realizar las reparaciones que use solo piezas de repuesto idénticas.** Esto garantizará la seguridad de la herramienta eléctrica.
- b) **No repare nunca baterías dañadas.** La reparación de baterías dañadas debe realizarla únicamente el fabricante o los proveedores de servicio autorizados.

## Instrucciones de seguridad para las sierras ingleteadoras

- a) **Las sierras ingleteadoras están diseñadas para cortar madera o productos parecidos a la madera, no pueden utilizarse con discos de corte abrasivos para cortar metales ferrosos como barras, pies derechos, etc.** El polvo abrasivo hace que se atasquen las piezas en movimiento como por ejemplo el protector inferior. Las chispas del corte abrasivo quemarán el protector inferior, el accesorio de inserción de la línea de corte y otras piezas de plástico.
- b) **Use abrazaderas para sujetar la pieza de trabajo siempre que sea posible. Si sujeta la pieza de trabajo con la mano, debe siempre mantener la mano como mínimo a 152 mm (6") de ambos lados de la hoja de la sierra. No utilice esta sierra para cortar trozos que sean demasiado pequeños para estar bien sujetos con abrazaderas o sostenidos con la mano.** Si coloca la mano demasiado cerca de la hoja de la sierra, hay mayor riesgo de lesiones por el contacto con la hoja.
- c) **La pieza de trabajo tiene que estar estacionaria y sujeta con abrazaderas o sostenida contra la guía y la mesa. No alimente la pieza de trabajo a la hoja ni corte "a mano alzada" de ningún modo.** Las piezas de trabajo no sujetas o que se muevan podrán salir despedidas a altas velocidades y ocasionar una lesión.
- d) **Empuje la sierra a través de la pieza de trabajo. No jale la sierra a través de la pieza de trabajo. Para realizar un corte, levante el cabezal de la sierra y jale hacia afuera colocándolo sobre la pieza de trabajo sin cortar, ponga en marcha el motor, presione hacia abajo el cabezal de la sierra y empuje la sierra a través de la pieza de trabajo.** Al cortar durante el jalado hay probabilidades de que la hoja de la sierra salte por encima de la pieza de trabajo y haga que la unidad de la hoja salga disparada violentamente hacia el operador.
- e) **No cruce nunca las manos sobre la línea de corte prevista, ya sea delante o detrás de la hoja de la sierra.** Apoyar la pieza de trabajo con "las manos cruzadas", por ejemplo sujetando la pieza de trabajo hacia la derecha de la hoja de la sierra con la mano izquierda o viceversa es muy peligroso.
- f) **No extienda las manos por detrás de la guía acercándose más de 152 mm (6") de ambos lados de la hoja de la sierra, para extraer restos de madera o por cualquier otra razón mientras la hoja esté en movimiento.** La proximidad de la hoja de la sierra en movimiento con la mano quizás no sea obvia y puede lesionarse gravemente.
- g) **Inspeccione la pieza de trabajo antes de cortar. Si la pieza de trabajo está arqueada o combada, sujétela con la parte arqueada exterior hacia la guía. Asegúrese siempre de que no haya separación entre la pieza de trabajo, la guía y la mesa a lo largo de la línea del corte.** Las piezas de trabajo torcidas o combadas pueden girarse o moverse y hacer que se atasque la hoja de la sierra en movimiento mientras se está cortando. No debe haber clavos ni objetos extraños en la pieza de trabajo.
- h) **No utilice la sierra hasta que la mesa esté despejada de todas las herramientas, restos de madera, etc., excepto la pieza de trabajo.** Pequeños residuos o piezas sueltas de madera u otros objetos que estén en contacto con la hoja en movimiento pueden salir disparados a gran velocidad.
- i) **Corte las piezas de trabajo solamente una a una.** Varias piezas de trabajo apiladas no pueden sujetarse o soportarse adecuadamente y pueden atascarse en la hoja o moverse durante la operación de corte.
- j) **Asegúrese que la sierra ingleteadora esté montada o colocada en una superficie de trabajo firme y nivelada antes de utilizarla.** Una superficie de trabajo nivelada y firme reduce el riesgo de que la sierra ingleteadora se desestabilice.
- k) **Planee su trabajo. Cada vez que cambie la posición del ángulo de bisel o inglete, asegúrese de que la guía no obstaculice la hoja o el sistema de protección.** Sin encender la herramienta y sin ninguna pieza de trabajo sobre la mesa, mueva la hoja de

la sierra como si estuviera realizando un corte completo para asegurarse de que no habrá ningún obstáculo ni peligro de cortar la guía.

- l) **Proporcione un apoyo adecuado como por ejemplo extensiones de la mesa, banquetas de aserrado, etc. para las piezas de trabajo que sean más anchas o largas que la superficie de la mesa.** Las piezas de trabajo más largas o anchas que la mesa de la sierra ingleteadora pueden volcarse si no están bien apoyadas. Si la pieza cortada o la pieza de trabajo se vuelca, puede levantar el protector inferior o salir disparada impulsada por la hoja en movimiento.
- m) **No utilice otra persona para reemplazar una extensión de mesa o como apoyo adicional.** El apoyo inestable de una pieza de trabajo puede hacer que la hoja se atasque o que la pieza de trabajo se mueva durante la operación de corte tirando de usted y el ayudante hacia la hoja en movimiento.
- n) **La pieza cortada no debe atascarse o empujarse de ningún modo contra la hoja de la sierra en movimiento.** Si el espacio es limitado, por ejemplo si se usan topes de longitud, la pieza cortada podría quedarse atrapada contra la hoja y salir disparada violentamente.
- o) **Utilice siempre una abrazadera o un accesorio diseñado para apoyar adecuadamente el material redondo como las varillas o tubos.** Las varillas tienen tendencia a rodar mientras están siendo cortadas, lo cual hace que la hoja se trabe y jale la pieza de trabajo y su mano hacia la hoja misma.
- p) **Deje que la hoja llegue a la velocidad máxima antes de que entre en contacto con la pieza de trabajo.** Así se reducirá el riesgo de que la pieza de trabajo salga disparada.
- q) **Si la pieza de trabajo o la hoja se atascan, apague la sierra ingleteadora. Espere a que se detengan todas las piezas en movimiento y desconecte el enchufe de la fuente de alimentación y/o extraiga la batería. Luego desatascue el material atascado.** Seguir cortando con una pieza de trabajo atascada podría ocasionar una pérdida de control o dañar la sierra ingleteadora.
- r) **Después de realizar el corte, suelte el interruptor, sujete la sierra con el cabezal hacia abajo y espere a que la hoja se detenga antes de sacar la pieza cortada.** Alcanzar con la mano cerca de la hoja que gira por inercia es peligroso.
- s) **Sujete el asa firmemente cuando realice un corte incompleto o cuando libere el interruptor antes de que el cabezal de la sierra esté totalmente en posición hacia abajo.** La acción de freno de la hoja puede ocasionar que el cabezal de la sierra sea jalado hacia abajo y cause un riesgo de lesión.

## Normas de seguridad adicionales de las sierras ingleteadoras

**⚠️ ADVERTENCIA:** No inserte la batería en la unidad ni la conecte a una fuente de alimentación hasta que se hayan leído y comprendido todas las instrucciones.

- **NO PONGA EN FUNCIONAMIENTO ESTA MÁQUINA** hasta que esté totalmente ensamblada e instalada según las instrucciones. Si la máquina no está debidamente ensamblada puede causar lesiones graves.
- **OBTenga CONSEJO** de su supervisor, instructor u otra persona calificada si no está totalmente familiarizado con el funcionamiento de esta máquina. El conocimiento es sinónimo de seguridad.
- **SIGA TODOS LOS CÓDIGOS DE INSTALACIÓN ELÉCTRICA** y realice las conexiones eléctricas recomendadas para evitar producir descargas eléctricas o electrocución. Proteja la línea de abastecimiento eléctrico con un fusible de acción retardada de 15 amperios o un interruptor de circuito, como mínimo.
- **ASEGÚRESE** de que la hoja gire en la dirección correcta. Los dientes de la hoja deberían apuntar a la dirección de la rotación según se marca en la sierra.

- **APRIETE TODOS LOS MANGOS DE SUJECIÓN**, las perillas y las palancas antes de poner en funcionamiento la máquina. Las abrazaderas sueltas pueden hacer que algunas piezas o la pieza de trabajo salgan disparadas a gran velocidad.
- **ASEGÚRESE** de que la hoja y las abrazaderas de la hoja estén limpias, de que los bordes hundidos de las abrazaderas de la hoja estén apoyados contra la hoja y que el tornillo de eje esté bien apretado. Si la hoja está suelta o no está bien sujeta pueden ocasionarse daños a la sierra y lesiones corporales.
- **OPERE SOLAMENTE CON BATERÍAS FLEXVOLT DEWALT O CON LA FUENTE DE ALIMENTACIÓN CON CABLE DEWALT.** Conecte solamente el cable de alimentación al voltaje designado indicado. Pueden producirse un sobrecalentamiento, daños a la herramienta y lesiones corporales.
- **NO ENCAJE NADA CONTRA EL VENTILADOR** para detener el eje del motor. Pueden producirse daños a la herramienta y lesiones corporales.
- **NUNCA CORTE METALES FERROSOS** (que contengan hierro o acero) o mampostería. Estos materiales pueden hacer saltar las puntas de carburo de la hoja a gran velocidad y causar lesiones graves.
- **NO USE HOJAS O DISCOS ABRASIVOS.** El calor excesivo y las partículas abrasivas generadas por ellos pueden dañar la sierra y causar lesiones corporales.
- **NO TENGA NUNCA NINGUNA PARTE DEL CUERPO EN LA LÍNEA DE LA TRAYECTORIA DE LA HOJA DE LA SIERRA.** Se producirán lesiones corporales.
- **NO APLIQUE NUNCA LUBRICANTE PARA HOJAS A UNA HOJA EN MOVIMIENTO.** Aplicar lubricante podría hacer que su mano entre en contacto con la hoja, lo cual resultaría en graves lesiones.
- Cuando la sierra esté conectada al suministro eléctrico **NO** ponga las manos en el área de la hoja. La activación de la hoja sin querer puede ocasionar graves lesiones.
- **NO EXTIENDA NUNCA LA MANO ALREDEDOR O POR DETRÁS DE LA HOJA DE LA SIERRA.** La hoja puede causar lesiones graves.
- **NO EXTIENDA NUNCA LA MANO POR DEBAJO DE LA SIERRA** a menos que esté desenchufada y apagada. El contacto con la hoja de la sierra puede causar lesiones corporales.
- **ASEGURE LA MÁQUINA A UNA SUPERFICIE DE APOYO ESTABLE.** La vibración podría hacer que la máquina se deslice, se mueva o se vuelque, lo cual podría ocasionar graves lesiones.
- **USE SOLAMENTE LAS HOJAS PARA CORTES TRANSVERSALES** recomendadas para las sierras ingleteadoras. Para obtener los mejores resultados, no use hojas con punta de carburo con ángulos en gancho superiores a 7 grados. No utilice hojas con hendiduras profundas. Estas pueden desviarse y entrar en contacto con el protector y pueden dañar la máquina y/o producir lesiones graves.
- **USE SÓLO HOJAS DEL TAMAÑO Y TIPO CORRECTOS** especificados para esta herramienta con el fin de evitar daños a la máquina y lesiones graves.
- **INSPECCIONE LA HOJA PARA DETERMINAR SI TIENE GRIETAS** u otros daños antes de utilizarla. Una hoja agrietada o dañada puede romperse y los trozos pueden salir disparados a gran velocidad y causar lesiones graves. Reemplace las hojas agrietadas o dañadas de inmediato.
- **LIMPIE LA HOJA Y LAS ABRAZADERAS DE LA HOJA** antes de poner la máquina en marcha. Limpiar la hoja y las abrazaderas de la hoja le permite comprobar si la hoja o sus abrazaderas están dañadas. Una hoja o abrazadera de hoja agrietada o dañada puede romperse y los trozos pueden salir disparados a gran velocidad y causar lesiones graves.
- **NO USE HOJAS COMBADAS.** Compruebe si la hoja funciona bien y sin vibraciones. Una hoja que vibra puede dañar la máquina y/o causar lesiones graves.
- **NO** use lubricantes o productos de limpieza (especialmente en spray o aerosol) cerca del protector de plástico. El material de polícarbonato utilizado en el protector está sujeto a ataques por ciertas sustancias químicas.



- **MANTENGA EL PROTECTOR EN SU SITIO** y en buen estado.
- **USE SIEMPRE LA PLACA INDICADORA DE CORTE Y REEMPLÁCELA CUANDO ESTÉ DAÑADA.** La pequeña acumulación de astillas bajo la sierra puede obstaculizar la hoja de la sierra o causar inestabilidad en la pieza de trabajo al cortar.
- **USE SOLAMENTE ABRAZADERAS PARA HOJAS ESPECIFICADAS PARA ESTA HERRAMIENTA** a fin de evitar daños a la máquina y/o graves lesiones.
- **LIMPIE** las astillas y el aserrín de **LAS RANURAS DE VENTILACIÓN DEL MOTOR.** Las ranuras de ventilación del motor obstruidas pueden hacer que la máquina se caliente en exceso y se dañe, lo cual podría provocar un cortocircuito que a su vez podría ocasionar lesiones graves.
- **NO BLOQUEE NUNCA EL INTERRUPTOR EN LA POSICIÓN DE ENCENDIDO (“ON”).** Pueden producirse graves lesiones corporales.
- **NO SE PARE NUNCA ENCIMA DE LA HERRAMIENTA.** Podría sufrir graves lesiones si se vuelca la herramienta o si la herramienta de corte se toca sin querer.
- **JAMÁS DEJE LA HERRAMIENTA DESATENDIDA CUANDO ESTÉ EN FUNCIONAMIENTO. APÁGUELA.** No suelte la herramienta hasta que no se haya detenido completamente.
- Puede obtenerse **INFORMACIÓN ADICIONAL** acerca del funcionamiento seguro y correcto de las herramientas eléctricas (por ejemplo, un video sobre seguridad) del Power Tool Institute, 1300 Sumner Avenue, Cleveland, OH 44115-2851 ([www.powertoolinstitute.com](http://www.powertoolinstitute.com)). Asimismo puede obtenerse información del National Safety Council, 1121 Spring Lake Drive, Itasca, IL 60143-3201. Por favor consulte las Reglas de seguridad ANSI O1.1 para Máquinas de carpintería del Instituto Nacional Americano de Normalización y las Reglas de la Administración de Seguridad y Salud Ocupacional (OSHA) 1910.213 del Departamento de Trabajo de los EE.UU..

**⚠ADVERTENCIA:** El cortar plásticos, madera revestida de savia y otros materiales puede ocasionar una acumulación del material derretido en las puntas de la hoja y el cuerpo de la hoja de la sierra, aumentando el riesgo de sobrecalentamiento y trabado de la hoja al cortar.

**⚠ADVERTENCIA:** Siempre lleve la debida protección auditiva personal en conformidad con ANSI S12.6 (S3.19) durante el uso de esta herramienta. Bajo algunas condiciones y duraciones de uso, el ruido producido por este producto puede contribuir a la pérdida auditiva.

**⚠ADVERTENCIA:** Use SIEMPRE lentes de seguridad. Los anteojos de diario NO SON lentes de seguridad. Utilice además una cubrebocas o mascarilla antipolvo si la operación de corte genera demasiado polvo. SIEMPRE LLEVE EQUIPO DE SEGURIDAD CERTIFICADO:

- protección ocular ANSI Z87.1 (CAN/CSA Z94.3),
- protección auditiva ANSI S12.6 (S3.19),
- protección respiratoria NIOSH/OSHA/MSHA.

**⚠ADVERTENCIA:** Algunas partículas de polvo generadas al lijar, serrar, esmerilar y taladrar con herramientas eléctricas, así como al realizar otras actividades de construcción, contienen químicos que el Estado de California sabe que pueden producir cáncer, defectos congénitos u otras afecciones reproductivas. Ejemplos de estos químicos son:

- plomo de algunas pinturas en base a plomo,
- polvo de sílice proveniente de ladrillos y cemento y otros productos de albañilería, y
- arsénico y cromo provenientes de madera tratada químicamente.

Su riesgo de exposición a estos químicos varía, dependiendo de la frecuencia con la cual realiza usted este tipo de trabajo. Para reducir su exposición a estas sustancias químicas: trabaje en una zona bien ventilada y llevando equipos de seguridad aprobados, como mascarillas antipolvo especialmente diseñadas para filtrar partículas microscópicas.

- Evite el contacto prolongado con polvo generado por el lijado, aserrado, pulido, taladrado y otras actividades de construcción. Vista ropas protectoras y lave las áreas de la piel expuestas con agua y jabón. Si permite que el polvo se introduzca en

la boca u ojos o quede sobre la piel, puede favorecer la absorción de productos químicos peligrosos.

**⚠ADVERTENCIA:** La utilización de esta herramienta puede generar polvo o dispersarlo, lo que podría causar daños graves y permanentes al sistema respiratorio, así como otras lesiones. Siempre use protección respiratoria aprobada por NIOSH (Instituto Nacional de Seguridad y Salud en el Trabajo) u OSHA (Administración de Seguridad y Salud en el Trabajo) apropiada para la exposición al polvo. Dirija las partículas en dirección contraria a la cara y el cuerpo.

- La etiqueta de su herramienta puede incluir los siguientes símbolos. A continuación se indican los símbolos y sus definiciones:

V.....voltios	A.....amperios
Hz.....hertz	W.....vatios
min .....minutos	~ or AC.....corriente alterna
== or DC....direct current	⎓ or AC/DC corriente alterna o directa
Ⓢ.....Construcción de Clase I (tierra)	no.....velocidad sin carga
Ⓜ.....Construcción de Clase II (doble aislamiento)	n.....velocidad nominal
.../min .....por minuto	⊕.....terminal de conexión a tierra
BPM.....golpes por minuto	⚠.....símbolo de advertencia de seguridad
IPM.....impactos por minuto	⚠.....radiación visible
RPM.....revoluciones por minuto	☉.....protección respiratoria
sfpm.....pies de superficie por minuto	☉.....protección ocular
SPM.....pasadas por minuto	👂.....protección auditiva

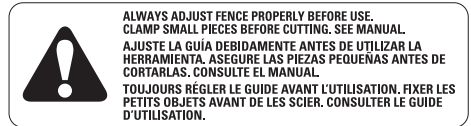
Para su conveniencia y seguridad, su sierra ingleteadora tiene las siguientes etiquetas de advertencia.

#### EN LA CAJA DEL MOTOR:

**⚠ADVERTENCIA: POR SU PROPIA SEGURIDAD, LEA EL MANUAL DE INSTRUCCIONES ANTES DE OPERAR LA SIERRA DE INGLETE. AL REPARAR, SÓLO UTILICE PIEZAS DE REPUESTO IDÉNTICAS. NO EXPONGA A LA LLUVIA NI UTILICE EN LUGARES HÚMEDOS. USE SIEMPRE PROTECCIÓN OCULAR Y RESPIRATORIA APROPIADA.**

#### SOBRE LOS REBORDES MÓVILES:

**SIEMPRE REGULE CORRECTAMENTE LA GUÍA ANTES DE UTILIZAR LA HERRAMIENTA. AJUSTE LAS PIEZAS PEQUEÑAS ANTES DE CORTAR. CONSULTE EL MANUAL.**



#### EN EL PROTECTOR:

**PELIGRO: MANTÉNGASE ALEJADO DE LA HOJA.**

#### EN EL PROTECTOR SUPERIOR:

**SUJETE EL SOPORTE CORRECTAMENTE CON AMBOS TORNILLOS ANTES DE USAR.**

#### EN LA MESA: (2 LUGARES)

**⚠ADVERTENCIA: PARA REDUCIR EL RIESGO DE LESIONES, EL USUARIO DEBE LEER EL MANUAL DE INSTRUCCIONES ANTES DE UTILIZAR LA SIERRA INGLETEADORA. MANTENGA LAS MANOS ALEJADAS DE LA TRAYECTORIA DE LA HOJA**



**DE LA SIERRA. NO UTILICE LA SIERRA SIN LOS PROTECTORES EN SU SITIO. COMPRUEBE QUE EL PROTECTOR INFERIOR CIERRE ADECUADAMENTE ANTES DE CADA USO. APRIETE SIEMPRE LOS BOTONES DE AJUSTE ANTES DE UTILIZAR LA HERRAMIENTA. NO REALICE NINGUNA OPERACIÓN A MANO ALZADA. SUJETE LAS PIEZAS PEQUEÑAS ANTES DE CORTAR. NO EXTIENDA NUNCA LA MANO POR DETRÁS DE LA HOJA DE LA SIERRA. NO CRUCE NUNCA LOS BRAZOS DELANTE DE LA HOJA. APAGUE LA HERRAMIENTA Y ESPERE A QUE LA HOJA DE LA SIERRA SE DETENGA ANTES DE MOVER LA PIEZA DE TRABAJO, CAMBIAR LA CONFIGURACIÓN O MOVER LAS MANOS. SAQUE LA BATERÍA ANTES DE AJUSTAR, CAMBIAR O REPARAR LA HOJA. PARA REDUCIR EL RIESGO DE LESIÓN, VOLVER A PONER EL CARRO EN LA POSICIÓN TRASERA MÁXIMA DESPUÉS DE CADA OPERACIÓN DE CORTE TRANSVERSAL. ¡PIENSE! USTED PUEDE PREVENIR ACCIDENTES.**

EN BASE: (2 LUGARES)



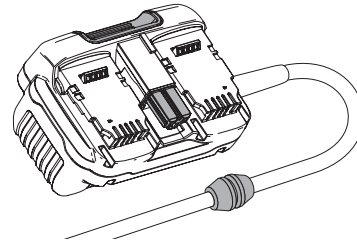
## Conexión eléctrica

Compruebe que la fuente de alimentación concuerde con la indicada en la placa de características. 120 volts, CA significa que la sierra operará con corriente alterna. No opere con corriente continua (CC). Una disminución de voltaje del 10 por ciento o más causará una pérdida de potencia y un sobrecalentamiento. Todas las herramientas DEWALT se someten a una prueba de fábrica. Si esta herramienta no funciona bien, compruebe la alimentación eléctrica. Esta sierra ingleteadora opera con dos baterías de 60 V o utilizando la fuente de alimentación con cable DEWALT.

## Utilización de la fuente de alimentación con cable

La fuente de alimentación con cable DEWALT está diseñada para proporcionar energía eléctrica a las herramientas inalámbricas FLEXVOLT DEWALT de 120 V Max\*. Introduzca la fuente de alimentación con cable en la ranura de la batería de la sierra ingleteadora (consulte **Instalación y extracción de la fuente de alimentación con cable**) y enchufe la fuente de alimentación a una toma de corriente alterna. La fuente de alimentación funcionará como fuente de suministro de energía eléctrica de la herramienta. La fuente de alimentación con cable DEWALT debe utilizarse solamente con electricidad doméstica estándar de 120 VAC, 60 Hz o un generador de 120 VAC 60Hz.

Fig. 1



La fuente de alimentación con cable es apropiada para utilizarse con herramientas de CA de 120 V con toma de tierra y doble aislamiento. Cuando la fuente de alimentación se utiliza con una herramienta con toma de tierra, la entrada de la herramienta estará equipada con una pata de toma de tierra que permite que la vía de toma de tierra de la herramienta se conecte con la fuente de alimentación. Cuando se usa la fuente de alimentación con esta sierra ingleteadora de doble aislamiento, no se hace una conexión a tierra desde la herramienta hasta la fuente de alimentación puesto que no se requiere conexión a tierra.

## Instrucciones adicionales específicas para el uso

La fuente de alimentación con cable puede estar caliente al tacto durante su uso. Esto es normal y no indica ningún problema.

**IMPORTANTE.** La fuente de alimentación no puede ser reparada por el usuario. La fuente de alimentación no contiene piezas reparables por el usuario.

Es preciso realizar las reparaciones en un centro de servicio autorizado para evitar el daño a los componentes internos estáticos sensibles.

## La Baterías y Cargadores

La batería no viene completamente cargada de fábrica. Antes de utilizar la batería y el cargador, lea las siguientes instrucciones de seguridad y luego siga los procedimientos de carga indicados. Cuando pida baterías de repuesto, no olvide indicar el número de catálogo y el voltaje.

Su herramienta utiliza un cargador DEWALT. Lea todas las instrucciones de seguridad antes de usar el cargador. Consulte la tabla al final de este manual para información sobre compatibilidad entre cargadores y baterías.

## Instrucciones de Seguridad Importantes Para Todas las Unidades de Batería

**⚠ADVERTENCIA:** Lea todas las advertencias de seguridad y todas las instrucciones para la batería, el cargador y la herramienta eléctrica. No seguir las advertencias y las instrucciones puede provocar una descarga eléctrica, un incendio y/o lesiones graves.

- **No cargue o use la unidad de batería en atmósferas explosivas, como en presencia de líquidos, gases o polvos inflamables.** Puede que al insertar o sacar la unidad de batería del cargador se inflamen el polvo o los gases.
- **NUNCA fuerce la unidad de batería para que entre en el cargador.** NO modifique la unidad de batería en ninguna forma para que entre en un cargador no compatible, pues puede producir una ruptura en la unidad de batería y causar lesiones corporales graves. Consulte la tabla al final de este manual para ver la compatibilidad entre baterías y cargadores.
- Cargue las unidades de batería sólo en los cargadores designados por DEWALT.
- **NO salpique con ni sumerja en agua u otros líquidos.**
- **No guarde ni use la herramienta y unidad de batería en lugares donde la temperatura pueda alcanzar o superar los 40 °C (104 °F), tales como cobertizos o construcciones de metal durante el verano.** Almacene las unidades de batería en lugares frescos y secos para maximizar su vida útil.
- **NOTA: No almacene las unidades de batería en la herramienta con el interruptor de gatillo en posición encendida fija. Nunca use cinta adhesiva para mantener el interruptor de gatillo en posición ENCENDIDA.**
- **No incinere la unidad de batería, aunque esté completamente dañada o descargada.** La unidad de batería puede explotar si se quema. Cuando se queman unidades de batería de iones de litio, se producen gases y materiales tóxicos.
- **Si el contenido de la batería entra en contacto con la piel, lave el área de inmediato con agua y un jabón suave.** Si el líquido de la batería entra en contacto con sus ojos, enjuáguelos con agua y los ojos abiertos por 15 minutos o hasta que cese la irritación. Si se requiere de asistencia médica, el electrolito de la batería está compuesto por una mezcla de carbonatos orgánicos líquidos y sales de litio.
- **El contenido de los elementos abiertos de la batería puede causar irritación en el tracto respiratorio.** Salga al aire fresco. Si los síntomas persisten, busque asistencia médica.

**⚠ADVERTENCIA:** Peligro de quemaduras. El líquido de la batería puede ser inflamable si se expone a chispas o llamas.

**⚠ADVERTENCIA:** Peligro de incendio. Nunca intente abrir la unidad de batería por ningún motivo. Si la caja exterior de la unidad de batería se triza o daña, no la introduzca en el cargador. No triture, deje caer o dañe la unidad de batería. No use una unidad de batería o un cargador que haya sido golpeado, dejado caer, atropellado o dañado en cualquier forma (por ejemplo, perforado por un clavo, golpeado con un martillo, pisado). Lleve sus unidades de batería dañadas al centro de servicio para que sean recicladas.

## TRANSPORTE

**⚠ADVERTENCIA:** Peligro de incendio. No guarde o transporte la batería de forma que los terminales expuestos de la misma puedan estar en contacto con objetos

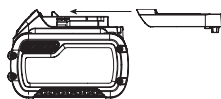
**metálicos.** Por ejemplo, no ponga la batería en delante, bolsillos, cajas de herramientas, estuches de productos, cajones, etc., junto con clavos, tornillos, y llaves, etc. sueltos. **El transporte de baterías puede causar incendios si sus terminales inadvertidamente entran en contacto con materiales conductores como llaves, monedas, herramientas manuales y otros por el estilo.** El Reglamento sobre Materiales Peligrosos (HMR) del Departamento de Transporte de EE.UU. prohíbe transportar baterías comercialmente o en aviones en el equipaje de mano A MENOS que estén debidamente protegidas contra cortocircuitos. Por lo tanto, cuando transporte baterías individuales, asegúrese de que sus terminales estén protegidos y debidamente aislados de los materiales que pudieran entrar en contacto con ellos y provocar un cortocircuito.

### TRANSPORTE DE LA BATERÍA FLEXVOLT™ DE DEWALT

La batería FLEXVOLT™ de DEWALT tiene dos modalidades: **Uso** y **Transporte**.

**Modalidad de Uso:** Cuando la batería FLEXVOLT™ está independiente o está en un producto DEWALT de 20 V Máx\* funcionará como una batería de 20 V Máx\*. Cuando la batería FLEXVOLT™ está en un producto de 60 V Máx\* o 120 V Máx\* (dos baterías de 60 V Máx\*), funcionará como una batería de 60V Máx\*.

**Modalidad de Transporte:** Cuando la batería FLEXVOLT™ tiene puesta la tapa, la batería está en modalidad de transporte. Cadenas de celdas están desconectadas eléctrica-mente dentro de la unidad de batería, lo que resulta en tres baterías con una capacidad nominal de vatios hora (Wh) inferior comparada con una batería con una capacidad nominal de vatios hora superior. Esta mayor cantidad de tres baterías con una capacidad nominal de vatios-hora menor puede hacer que la unidad de batería quede exenta de ciertos reglamentos de transporte que se imponen a las baterías con mayor capacidad nominal de vatios-hora.



La etiqueta en la batería indica dos capacidades nominales de vatios-hora (ver el ejemplo). Dependiendo de cómo se transporta la batería, debe usarse la capacidad nominal vatios-hora apropiada para determinar los requisitos de transporte aplicables. Si se utiliza la tapa de transporte, la unidad de batería será considerada tres baterías con la capacidad nominal de vatios-hora indicada para «Transporte». Si se transporta sin la tapa o en una herramienta, la unidad de batería será considerada una batería con la capacidad nominal de vatios-hora indicada al lado de «Uso».

#### EJEMPLO DE MARCADO EN ETIQUETA DE USO Y TRANSPORTE

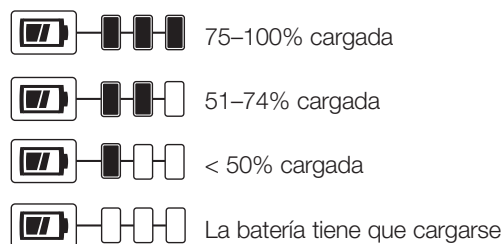
USE: 120 Wh Shipping: 3 x 40 Wh

La capacidad nominal de transporte vatios hora (Wh) indica 3 x 40 Wh, lo cual significa 3 baterías de 40 vatios hora cada una. La capacidad nominal de uso Wh indica 120 vatios hora (se implica una batería).

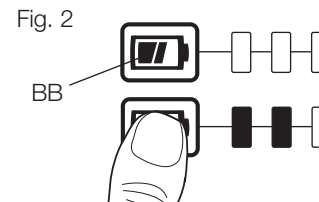
### UNIDADES DE BATERÍA CON INDICADOR DE CARGA (FIG. 2)

Algunas unidades de batería DEWALT incluyen un indicador de carga que consiste de tres luces LED verdes que indican el nivel de carga que queda en la unidad de batería.

El indicador de carga es una indicación de niveles aproximados de carga que quedan en la batería según los indicadores siguientes:



Para activar el indicador de carga, presione y sostenga el botón del indicador (BB). Se iluminará una combinación de las tres luces LED verdes, que indicará el nivel de carga que queda. Cuando el nivel de carga está por debajo del nivel útil, el indicador no se iluminará, y la batería deberá recargarse.



**NOTA:** El indicador de carga es sólo eso: un indicador de la carga de la unidad de batería. No indica el nivel de funcionalidad de la herramienta y puede variar de acuerdo a las piezas del producto, la temperatura y la aplicación que el usuario le dé.

Para mayor información sobre unidades de batería con indicadores de carga, por favor llame al 1-800-4-DEWALT (1-800-433-9258) o visite nuestro sitio Web: [www.dewalt.com](http://www.dewalt.com).

### El sello RBRC®

El sello RBRC® (Rechargeable Battery Recycling Corporation) en las baterías (unidades de batería) de níquel cadmio, níquel e hidruro metálico o de iones de litio indica que el costo de reciclaje de estas baterías (o unidades de batería) al llegar al final de su vida de servicio ya ha sido pagado por DEWALT. En algunas áreas, es ilegal depositar baterías de níquel cadmio, níquel e hidruro metálico o de iones de litio gastadas en la basura o la corriente de residuos sólidos urbanos; el programa Call 2 Recycle® proporciona una alternativa ecológica.



Call 2 Recycle, Inc., en cooperación con DEWALT y otros usuarios de baterías, han establecido programas en los Estados Unidos y Canadá para facilitar la recolección de baterías de níquel cadmio, níquel e hidruro metálico o de iones de litio gastadas a un centro de servicio autorizado por DEWALT o al minorista local para que sean recicladas, ayuda a proteger el medio ambiente y a conservar recursos naturales. También puede comunicarse con el centro de reciclaje de su localidad para mayor información sobre dónde llevar sus baterías gastadas. RBRC® es una marca comercial registrada de Call 2 Recycle, Inc.

### Instrucciones Importantes de Seguridad Para Todos los Cargadores de Baterías

**⚠️ ADVERTENCIA:** Lea todas las advertencias de seguridad y todas las instrucciones para la batería, el cargador y la herramienta eléctrica. No seguir las advertencias y las instrucciones puede provocar una descarga eléctrica, un incendio y/o lesiones graves.

- **NO intente cargar la unidad de batería con otros cargadores que no sean los descritos en este manual.** El cargador y la unidad de batería fueron específicamente diseñados para trabajar en conjunto.
- **Estos cargadores no fueron diseñados para ser utilizados para más que cargar las baterías recargables DEWALT.** Cualquier otro uso puede producir riesgo de incendios, descargas eléctricas o electrocución.
- **No exponga el cargador a la lluvia o a la nieve.**
- **Tire del enchufe y no del cable cuando desconecte el cargador.** De esta forma se reduce el riesgo de daño al enchufe y cable.



- **Asegúrese de que el cable no sea ubicado de manera que podría ser pisado, causar que alguien tropiece con él o ser expuesto a otro tipo de daños y desgastes.**
- **No use un alargador a menos que sea absolutamente necesario.** El uso de un alargador incorrecto podría producir riesgo de incendios, descargas eléctricas o electrocución.
- **Cuando opere un cargador al exterior, hágalo siempre en un lugar seco y use un alargador apropiado para uso al exterior.** El uso de un alargador apropiado para uso al exterior reduce el riesgo de descarga eléctrica.
- **Los hilos del alargador deben ser de un calibre apropiado (AWG o American Wire Gauge) para su seguridad.** Mientras menor sea el calibre del hilo, mayor la capacidad del cable. Es decir, un hilo calibre 16 tiene mayor capacidad que uno de 18. Un cable de un calibre insuficiente causará una caída en la tensión de la línea dando por resultado una pérdida de energía y sobrecalentamiento. Cuando se utilice más de un alargador para completar el largo total, asegúrese que los hilos de cada alargador tengan el calibre mínimo. La tabla siguiente muestra el tamaño correcto a utilizar, dependiendo de la longitud del cable y del amperaje nominal de la placa de identificación. Si tiene dudas sobre cuál calibre usar, use un calibre mayor. Cuanto menor sea el número del calibre, más resistente será el cable.

**Calibre mínimo de conjuntos de cables**

Voltios		Longitud total del cable en pies (metros)			
120 V		25 (7,6)	50 (15,2)	100 (30,5)	150 (45,7)
240 V		50 (15,2)	100 (30,5)	200 (61,0)	300 (91,4)
Amperaje nominal		AWG			
Más de	Más de				
0	6	18	16	16	14
6	10	18	16	14	12
10	12	16	16	14	12
12	16	14	12	Not Recommended	

- **No coloque ningún objeto encima del cargador ni coloque a este sobre una superficie blanda que pudiera bloquear las ranuras de ventilación y resultar en un calor interno excesivo.** Coloque el cargador en un lugar alejado de cualquier fuente de calor. El cargador se ventila a través de las ranuras que se encuentran en la parte superior e inferior de la caja protectora.
- **No opere el cargador si su cable o enchufe están dañados.**
- **No opere el cargador si ha recibido un golpe agudo, si se ha caído o si ha sido dañado de alguna otra forma.** Llévelo a un centro de servicio autorizado.
- **No desarme el cargador; llévelo a un centro de servicio autorizado cuando deba ser reparado.** Si es reensamblado incorrectamente, puede causar descargas eléctricas, electrocución o incendios.
- **Desenchufe el cargador antes de intentar limpiarlo. Esto reducirá el riesgo de descargas eléctricas.** El retirar el paquete de baterías no reducirá este riesgo.
- **NUNCA** intente conectar 2 cargadores entre sí.
- **El cargador está diseñado para operar con una corriente eléctrica estándar residencial de 120 V. No intente usarlo con ningún otro voltaje.** Esto no aplica al cargador vehicular.

**⚠ADVERTENCIA:** Peligro de descarga eléctrica. No permita que ningún líquido se introduzca en el cargador. Puede producir descargas eléctricas.

**⚠ADVERTENCIA:** Peligro de quemaduras. No sumerja la unidad de batería en líquido de ningún tipo ni permita que se introduzca ningún tipo de líquido a la unidad de batería. Nunca intente abrir la unidad de batería por ningún motivo. Si la caja plástica de la unidad de batería se triza o rompe, llévela a un centro de servicio para su reciclaje

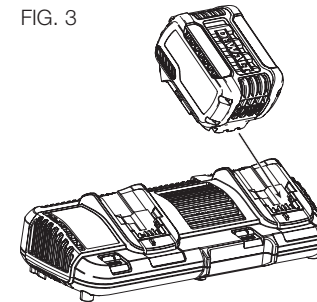
**⚠ATENCIÓN:** Peligro de quemaduras. Para reducir el riesgo de lesiones, sólo cargue unidades de batería recargables marca DEWALT. Otros tipos de batería podrían sobrecalentarse y reventar lo que podría resultar en lesiones corporales y daños a su propiedad.

**AVISO:** Bajo ciertas condiciones, cuando el cargador está enchufado a una toma de corriente, el cargador puede hacer cortocircuito si entra en contacto con algún material ajeno. Los materiales ajenos de naturaleza conductora, como el polvo de esmerilado, las placas de metal, la lana de acero, el papel de aluminio y otros, o cualquier acumulación de partículas metálicas deberían mantenerse alejados de las cavidades del cargador. Desenchufe siempre el cargador cuando no haya una unidad de batería en su cavidad. Desenchufe el cargador antes de intentar limpiarlo.

### Carga de una batería (Fig. 3)

Enchufe el cargador en una toma de corriente apropiada antes de introducir la batería.

FIG. 3



Inserte la batería en el cargador, comprobando esté bien fija. La luz roja (de carga) parpadeará continuamente para indicar que se ha iniciado el proceso de carga.

La luz roja se quedará ENCENDIDA continuamente cuando se haya completado el proceso de carga. La batería estará entonces completamente cargada y podrá ser utilizada de inmediato o dejarse en el cargador. Para sacar la batería del cargador, presione el botón de liberación de la batería.

**NOTA:** Para asegurar el máximo rendimiento y vida útil de las baterías de iones de litio, cargue la batería completamente antes de usarla por primera vez.

### FUNCIONAMIENTO DEL CARGADOR

Consulte los indicadores a continuación relativos al estado de carga de la batería.

DCB107, DCB112, DCB113, DCB115, DCB118, DCB132

	Unidad en Proceso de Carga	— — — —	
	Unidad Cargada	————	
	Retraso por Unidad Caliente/Frío*	— — —   ———	

\*La luz roja continuará parpadeando, pero una luz indicadora amarilla estará iluminada durante esta operación. Una vez que la batería haya llegado a una temperatura apropiada, la luz amarilla se apagará y el cargador continuará con el procedimiento de carga.

El cargador no cargará una batería defectuosa. El cargador indicará que la unidad de batería es defectuosa al no iluminarse o al indicar que existe un problema con la unidad o el cargador.

**NOTA:** Esto también puede significar que hay un problema con el cargador.

Si el cargador indica un problema, lleve el cargador y la batería a un centro de servicio autorizado para que sean sometidos a pruebas.

## RETRASO POR BATERÍA CALIENTE/FRÍA

Cuando el cargador detecta que una batería está demasiado caliente o demasiado fría, inicia automáticamente un Retraso por batería caliente/fría y suspende la carga hasta que la batería alcanza una temperatura adecuada. En ese momento, el cargador inicia automáticamente el modo de carga de la batería. Esta función garantiza la máxima duración de la batería.

Una batería fría se carga más lentamente que una batería caliente. La batería se cargará a ese ritmo más lento durante todo el ciclo de carga y no volverá a cargarse a la velocidad de carga máxima incluso si la batería se calienta.

El cargador DCB118 está equipado con un ventilador interno diseñado para enfriar la batería. El ventilador se encenderá automáticamente cuando la batería tenga que enfriarse.

No opere nunca el cargador si el ventilador no funciona adecuadamente o si las ranuras de ventilación están obstruidas. No permita que entren objetos extraños dentro del cargador.

## SISTEMA DE PROTECCIÓN ELECTRÓNICA

Las herramientas con baterías de iones de litio están diseñadas con un Sistema de protección electrónico que protegerá la batería contra la sobrecarga, el sobrecalentamiento o la descarga completa.

La herramienta se apagará automáticamente si el Sistema de protección electrónico se activa. Si esto ocurre, coloque la batería de iones de litio en el cargador hasta que esté totalmente cargada.

## Montaje en la pared

Estos cargadores están diseñados para montarse en la pared o colocarse en posición vertical sobre una mesa o superficie de trabajo. Si lo monta en la pared, coloque el cargador al alcance de una toma de corriente eléctrica y alejado de las esquinas u otras obstrucciones que puedan impedir el flujo de aire. Utilice la parte de atrás del cargador como plantilla para la ubicación de los tornillos de montaje en la pared. Monte el cargador firmemente utilizando tornillos para muro seco (comprados por separado) de un mínimo de 25,4 mm (1") de largo, con una cabeza de un diámetro de 7-9 mm (0,28-0,35"), atornillados en madera hasta una profundidad óptima dejando el tornillo expuesto aproximadamente 5,5 mm (7/32"). Alinee las ranuras en la parte trasera del cargador con los tornillos expuestos e introdúzcalos totalmente en las ranuras.

## Instrucciones de limpieza del cargador

**⚠ADVERTENCIA: Riesgo de descarga eléctrica.** Desconecte el cargador del tomacorriente de CA antes de limpiarlo. Para limpiar la suciedad y grasa del exterior del cargador puede usarse un paño o cepillo suave no metálico. No use agua ni soluciones limpiadoras.

## Notas importantes sobre la carga

- Se puede obtener una mayor duración y un mejor rendimiento si la unidad de batería se carga a una temperatura ambiente de 18–24 °C (65–75 °F). NO cargue la unidad de batería a una temperatura ambiental inferior a +4.5 °C (+40 °F) o superior a +40 °C (+104 °F). Esto es importante y evitará causar daños graves a la batería.
- Puede que el cargador y la unidad de batería se calienten ligeramente durante el proceso de carga. Esto es normal y no representa ningún problema. Para facilitar el enfriamiento de la unidad de batería después del uso, evite colocar el cargador o la unidad de batería en un lugar cálido, como un cobertizo metálico o un remolque sin aislamiento térmico.
- Si la unidad de batería no se carga correctamente:
  - Verifique el funcionamiento de la toma enchufando una lámpara u otro aparato;
  - Revise que la toma de corriente no esté conectada a un interruptor de luz que corte la corriente cuando se corte la luz;
  - Mueva el cargador y la unidad de batería a un lugar donde la temperatura ambiental sea aproximadamente 18–24 °C (65–75 °F);

d. Si el problema de carga continúa, lleve la herramienta, unidad de batería y el cargador a su centro de servicio local.

- La unidad de batería debería ser recargada cuando no sea capaz de producir suficiente potencia para trabajos que eran fácilmente realizados antes. NO CONTINÚE usándola bajo estas circunstancias. Siga el procedimiento de carga. También puede cargar una unidad de batería que haya sido usada parcialmente cuando lo desee, sin dañarla.
- Los materiales ajenos conductores por naturaleza, tales como, pero sin limitarse a, el polvo del esmerilado, las virutas metálicas, la lana de acero, el papel de aluminio o cualquier acumulación de partículas metálicas deberían mantenerse alejados de las cavidades del cargador. Desenchufe siempre el cargador de la toma de corriente cuando no haya una unidad de batería en su cavidad. Desenchufe el cargador antes de intentar limpiarlo.
- No congele ni sumerja el cargador en agua o cualquier otro líquido.

## Recomendaciones de almacenamiento

- El mejor lugar de almacenamiento es uno que sea fresco y seco, lejos de la luz solar directa y del exceso de calor o frío.
- Para resultados óptimos durante tiempos prolongados de almacenamiento, se recomienda almacenar la unidad de batería completamente cargada en un lugar fresco y seco fuera del cargador.

**NOTA:** Las unidades de batería no deberían almacenarse completamente descargadas. La unidad de batería deberá recargarse antes de ser usada.

## GUARDE ESTAS INSTRUCCIONES PARA VOLVER A CONSULTAR EN EL FUTURO

## Desembalar la sierra

Controle el contenido de la caja de la sierra ingletadora para asegurarse de haber recibido todas las piezas. Además de este manual de instrucciones, la caja debe contener:

- Sierra ingleteadora DHS790
- Hoja de sierra de 305 mm (12") de diámetro DEWALT

Puede incluir:

- Fuente de alimentación con cable DEWALT
- Baterías de 60 V

1 Cargador con doble puerto

En la bolsa:

- Llave para la hoja
- Abrazadera para el material
- Bolsa para polvo
- Manual de instrucciones

## Especificaciones

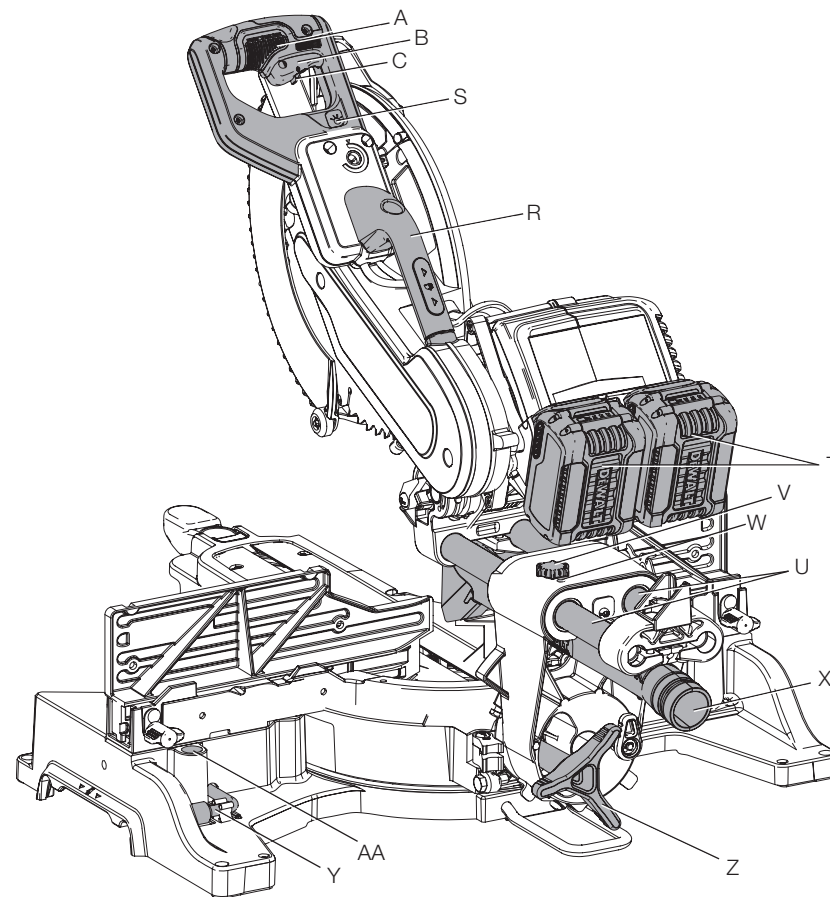
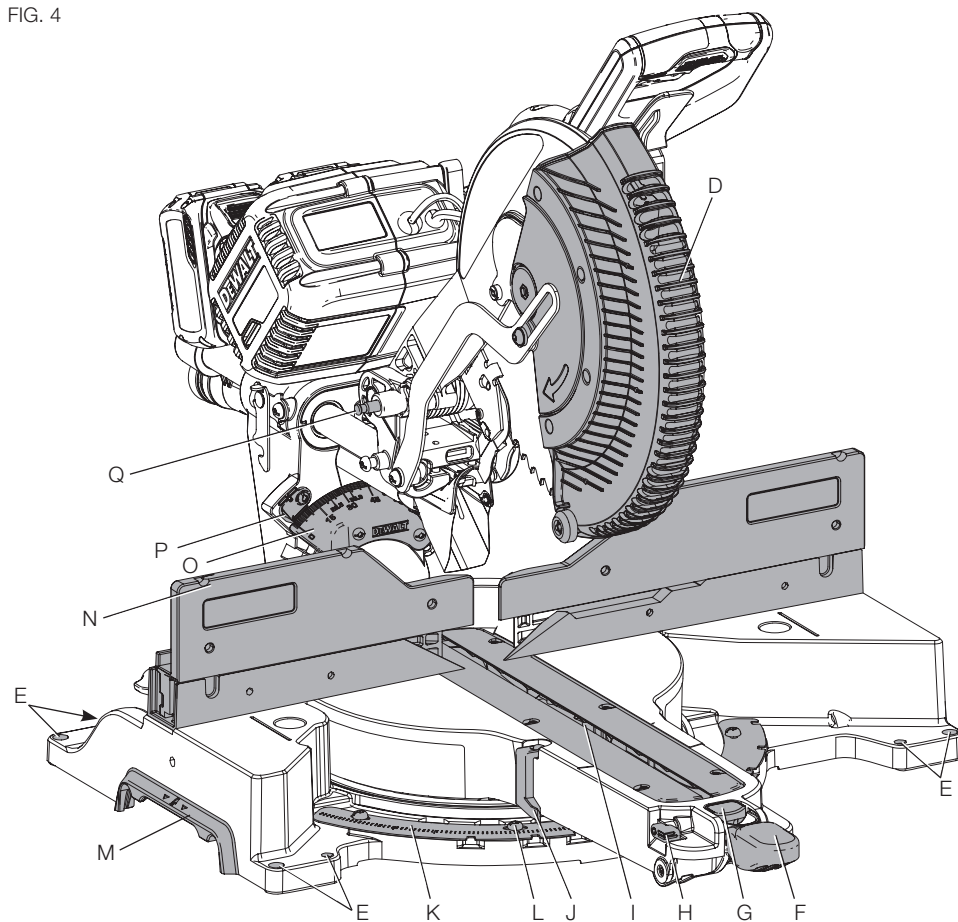
### CAPACIDAD DE CORTE

50° de inglete izquierdo, 60° de inglete derecho

49° de bisel a izquierda y derecha

ÁNGULO	CAPACIDAD MÁXIMA DE CORTE		RESULTADO	
0° de inglete	Altura	112 mm (4,4")	Ancho	231 mm (9,1")
	Ancho	349 mm (13,75")	Altura	76 mm (3,0")
45° de inglete	Altura	112 mm (4,4")	Ancho	147 mm (5,8")
	Ancho	244 mm (9,6")	Altura	76 mm (3,0")

FIG. 4



ÁNGULO	CAPACIDAD MÁXIMA DE CORTE		RESULTADO	
45° de bisel – izquierda	Altura	79 mm (3,1")	Ancho	290 mm (11,4")
	Ancho	349 mm (13,75")	Altura	43 mm (1,7")
45° de bisel – derecha	Altura	56 mm (2,2")	Ancho	290 mm (11,4")
	Ancho	349 mm (13,75")	Altura	28 mm (1,1")

Su sierra tiene capacidad para cortar molduras de base retenidas verticalmente de 20 mm (0,8") de grosor por 171 mm (6,75") de altura sobre un inglete a 45° derecho o izquierdo, al utilizar la palanca de bloqueo deslizante (AN, Fig. 10).

**NOTA:** La sierra, con un procedimiento de configuración especial, puede cortar. Consulte **Cortes especiales.**

0° de inglete	1,5 (38 mm) de altura	16,1 (409 mm) de ancho
45° de inglete	1,5 (38 mm) de altura	11,7 (297 mm) de ancho

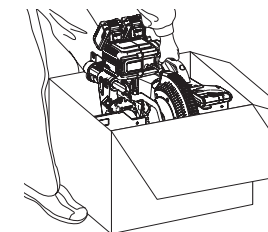
### Familiarización

La sierra ingleteadora viene totalmente ensamblada en la caja. Abra la caja y levante la sierra para sacarla utilizando el práctico mango, como se muestra en la Figura 5. Coloque la sierra en una superficie plana lisa como un banco de trabajo, mesa sólida o soporte de sierra ingleteadora DEWALT. Examine la Figura 4 para familiarizarse con la sierra y sus distintas piezas. La sección sobre los ajustes se referirá a estos términos y usted debe saber cuáles son las piezas y dónde se ubican.

**⚠ATENCIÓN:** *Riesgo de pellizco.* Para reducir el riesgo de lesión, mantenga el pulgar por debajo del mango de operación (A) cuando jale el mango hacia abajo. El protector inferior se moverá hacia arriba mientras se jala el mango hacia abajo, lo cual podría ocasionar un pellizco. El mango se coloca cerca del protector para cortes especiales.

Empuje ligeramente hacia abajo el mango de operación y jale la clavija de bloqueo (Q, Fig. 4) para sacarla. Libere suavemente la presión hacia abajo y sujete el brazo, dejando que suba hasta la altura máxima. Use la clavija de bloqueo cuando transporte la sierra de un lugar a otro. Use siempre el asa de transporte para transportar la sierra o los asideros (M, Fig. 4).

FIG. 5





## COMPONENTES (Fig. 4)

**⚠ADVERTENCIA:** Jamás altere la herramienta eléctrica ni ninguna de sus piezas. Podrían producirse lesiones corporales o daños.

A. Mango de operación	J. Indicador de escala de inglete	S. Interruptor de la luz de trabajo CUTLINE™
B. Interruptor de gatillo	K. Escala de inglete	T. Baterías
C. Botón de bloqueo del gatillo	L. Tornillos de escala de inglete	U. Rieles
D. Protector inferior	M. Asideros	V. Perilla de bloqueo del riel
E. Orificios de montaje	N. Guía	W. Tornillo de ajuste de riel
F. Palanca de bloqueo de inglete	O. Escala de bisel	X. Tubo de descarga de polvo
G. Botón de liberación de inglete	P. Indicador de escala de bisel	Y. Llave hexagonal
H. Palanca de anulación de bloqueo de inglete	Q. Clavija de bloqueo	Z. Perilla de bloqueo de bisel
I. Placa de corte	R. Asa para levantar	AA. Orificio de abrazadera

### USO DEBIDO

Esta sierra ingleteadora está diseñada para aplicaciones de aserrado profesionales.

**NO** debe usarse en condiciones húmedas ni en presencia de líquidos o gases inflamables.

Esta sierra ingleteadora es una herramienta eléctrica profesional. **NO** permita que los niños toquen la herramienta. Si el operador no tiene experiencia utilizando esta herramienta, deberá ser supervisado.

### Transporte y almacenamiento de la sierra (Fig. 4, 7)

**⚠ADVERTENCIA:** Para disminuir el riesgo de lesiones corporales graves, apague la herramienta y extraiga las baterías o la fuente de alimentación antes de transportar, realizar ajustes, limpiar, reparar o retirar/instalar accesorios. La puesta en marcha accidental puede causar lesiones.

**⚠ADVERTENCIA:** Para reducir el riesgo de lesiones corporales graves, bloquee SIEMPRE la perilla de bloqueo del riel (V), la palanca de bloqueo de inglete (F), la perilla de bloqueo de bisel (Z), la clavija de bloqueo (Q) y las perillas de ajuste de la guía (AZ, Fig. 7) antes de transportar la sierra.

Para transportar convenientemente la sierra ingleteadora de un lugar a otro, la sierra cuenta con una asa para levantar (R) en la parte de arriba del brazo de la sierra y asideros (M) en la base.

### CLAVIJA DE BLOQUEO DEL CABEZAL (FIG. 4)

**⚠ADVERTENCIA:** La clavija de bloqueo debe usarse SOLAMENTE cuando se transporte o se guarde la sierra. JAMÁS use la clavija de bloqueo para ninguna operación de corte.

Para bloquear el cabezal de la sierra en la posición hacia abajo, empújelo hacia abajo, empuje hacia adentro la clavija de bloqueo (Q) y libere el cabezal de la sierra. Así se mantendrá el cabezal de la sierra hacia abajo de forma segura para transportar la sierra de un lugar a otro. Para liberarlo, presione el cabezal de la sierra hacia abajo y saque la clavija jalándola.

### CARACTERÍSTICAS Y CONTROLES

**⚠ADVERTENCIA:** Para disminuir el riesgo de lesiones corporales graves, apague la herramienta y extraiga las baterías o la fuente de alimentación antes de transportar, realizar ajustes, limpiar, reparar o retirar/instalar accesorios. La puesta en marcha accidental puede causar lesiones.

### USO DE LA LUZ DE TRABAJO LED CUTLINE™ (FIG. 4)

**⚠ATENCIÓN:** No debe mirarse directamente a la luz de trabajo. Podrían producirse lesiones oculares graves.

La luz de trabajo LED CUTLINE™ puede encenderse con el interruptor momentáneo (S). La luz se apagará automáticamente en 20 segundos si la sierra no está en funcionamiento. La luz también se activa automáticamente cada vez que se jala el interruptor principal (B) de la herramienta.

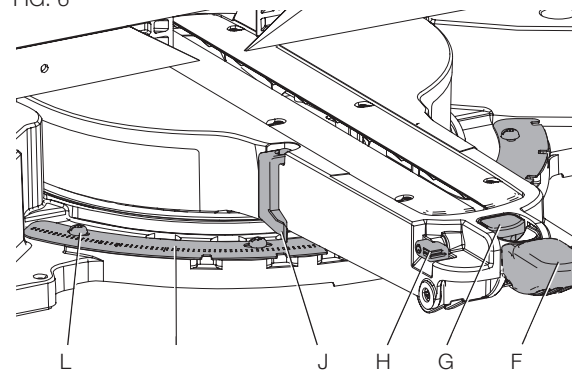
Para cortar una línea existente trazada a lápiz sobre un trozo de madera, encienda la luz de trabajo CUTLINE™ utilizando el interruptor momentáneo (S) (no con el gatillo principal), luego jale hacia abajo el mango de operación (A) para acercar la hoja de la sierra a la madera. La sombra de la hoja aparecerá sobre la madera. Esta línea de sombra representa el material que la hoja retirará cuando realice un corte. Para ubicar correctamente el corte en la línea trazada a lápiz, alinee la línea con el borde de la sombra de la hoja. Tenga en cuenta que quizás tenga que ajustar los ángulos de inglete o bisel para que coincidan exactamente con la línea trazada a lápiz.

La sierra viene equipada con una función de control de batería. La luz de trabajo CUTLINE™ empieza a parpadear cuando la batería está casi al final de su carga útil y/o cuando está demasiado caliente. Cargue la batería antes de continuar con las aplicaciones de corte. Consulte la sección **Procedimiento de carga** bajo **Instrucciones de seguridad importantes para todas las baterías** para instrucciones sobre la carga de la batería.

### CONTROL DE INGLETE (FIG. 6)

La perilla de bloqueo de inglete y el botón de liberación de inglete le permite ingletear su sierra a 60° a la derecha y 50° a la izquierda. Para ingletear la sierra, levante la palanca de bloqueo de inglete (F), empuje el botón de liberación de inglete (G) y mueva el brazo de inglete hasta el ángulo deseado en la escala de inglete (K) como se muestra en el indicador de escala de inglete (J). Empuje la palanca de bloqueo de inglete para bloquear el brazo de inglete en su sitio.

FIG. 6



### ANULACIÓN DE BLOQUEO DE INGLETE (FIG. 6)

La palanca de anulación de bloqueo de inglete (H) permite que la sierra anule los ángulos de tope comunes (topes).

Para anular los topes, desbloquee la palanca de bloqueo de inglete (F) jalando hacia arriba. Empuje la palanca de anulación de bloqueo de inglete (H) hacia arriba y mueva el brazo de inglete hasta el ángulo deseado en la escala de inglete (K). Empuje la palanca de bloqueo de inglete hacia abajo para bloquear el brazo de inglete en su sitio.

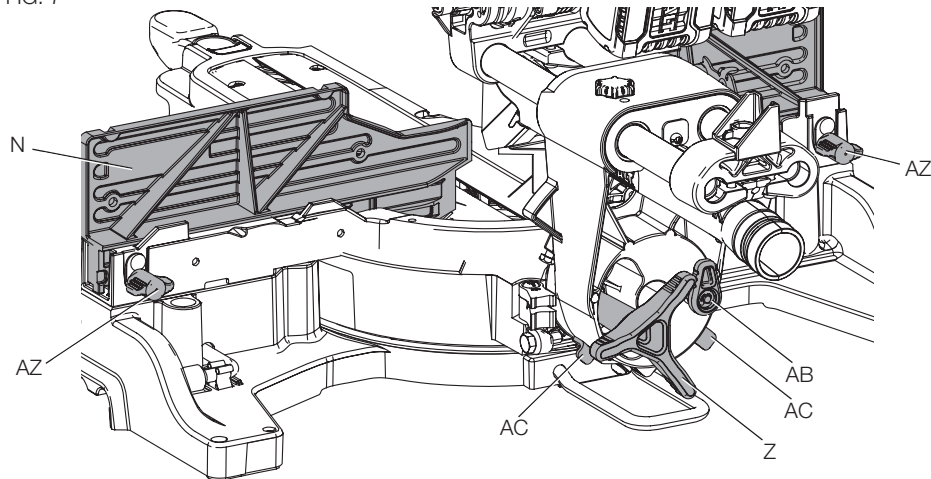
### BLOQUEO DE BISEL (FIG. 7)

El bloqueo de bisel le permite biselar la sierra a 49° a la izquierda o a la derecha. Para ajustar la configuración de bisel, gire la perilla de bloqueo de bisel (Z) en sentido contrario a las manillas del reloj. Entonces el cabezal de la sierra se biselará fácilmente a la izquierda o a la derecha. Para apretarla, gire la perilla de fijación de bisel en el sentido de las manillas del reloj.

## ANULACIÓN DE BISEL DE 0° (FIG. 7)

La anulación de bisel le permite biselar la sierra a la derecha, pasada la marca de 0°. Cuando la palanca de anulación de bisel de 0° (AB) está activada (la palanca estará hacia arriba), la sierra se detendrá automáticamente en 0° cuando se levante desde la izquierda. Para moverla pasado 0° a la derecha, bisele la sierra ligeramente hacia la izquierda de 0°, luego jale hacia afuera la palanca de anulación de bisel de 0° (AB). El cabezal de la sierra puede biselarse ahora más allá de 0° a la derecha. Bloquee el cabezal de la sierra en el ángulo deseado girando la perilla de bloqueo de bisel (Z) en el sentido de las manillas del reloj para apretarla. La palanca de anulación de bisel de 0° puede bloquearse girándola de manera que esté mirando hacia abajo.

FIG. 7



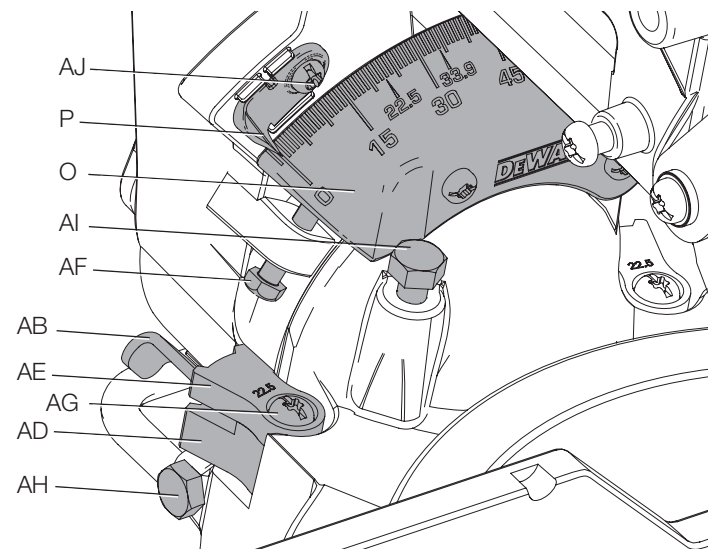
## ANULACIÓN DE BISEL DE 45° (FIG. 7)

Hay dos palancas de anulación de bisel de 45° (AC), una en cada lado de la sierra. Para biselar la sierra, hacia la izquierda o derecha, más allá de 45°, empuje la palanca de anulación de bisel de 45° (AC) hacia atrás. Cuando la sierra está en la posición hacia atrás puede biselar más allá de estos toques. Cuando se necesiten los toques de 45°, jale la palanca de anulación de bisel de 45° hacia adelante.

## SEGUROS DE BISEL PARA CORONA (FIG. 8)

Al cortar molduras de corona colocadas en posición horizontal, la sierra está equipada para fijar de manera precisa y rápida un tope para corona, a la izquierda o derecha (consulte las **Instrucciones para cortar molduras de corona colocadas en posición horizontal y Usar las funciones compuestas** bajo **Corte de molduras de corona**). El seguro de bisel para corona de 33,9° (AD) puede girarse para estar en contacto con el tornillo de ajuste de la corona (AF). La sierra está configurada en la fábrica para ser utilizada para la corona típica en Norteamérica (52/38), pero puede invertirse para cortar una corona no típica (45/45). Para invertir el seguro de bisel para corona de 33,9°, saque el tornillo de retención (AG), el seguro de bisel de 22,5° (AE) y el seguro de bisel para corona de 33,9° (AD). Voltee el seguro de bisel para corona de 33,9° de manera que el texto de 30° esté mirando hacia arriba. Vuelva a poner el tornillo para fijar el seguro de bisel de 22,5° y el seguro de bisel para corona. La precisión de la configuración no se verá afectada.

FIG. 8



## SEGUROS DE BISEL DE 22,5° (FIG. 8)

Su sierra está equipada para fijar de manera rápida y precisa un bisel de 22,5° a la izquierda o a la derecha. El seguro de bisel de 22,5° (AE) puede girarse para estar en contacto con el tornillo de ajuste de corona (AF).

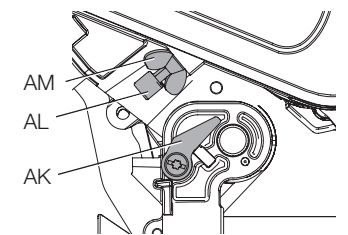
## PERILLA DE BLOQUEO DEL RIEL (FIG. 4)

La perilla de bloqueo del riel (V) le permite bloquear el cabezal de la sierra firmemente para evitar que se deslice en los rieles. Esto es necesario al realizar ciertos cortes o al transportar la sierra.

## TOPE DE PROFUNDIDAD (FIG. 9)

El tope de profundidad permite limitar la profundidad del corte de la hoja. El tope es útil para aplicaciones como ranurado y cortes verticales altos. Gire el tope de profundidad (AK) hacia adelante y ajuste el tornillo de ajuste de profundidad (AL) para fijar la profundidad de corte deseada. Para fijar el ajuste, apriete la tuerca de mariposa (AM). Al girar el tope de profundidad hacia la parte de atrás de la sierra se omitirá la función de tope de profundidad. Si el tornillo de ajuste de profundidad está demasiado apretado para ser aflojado a mano, la llave para hoja suministrada puede usarse para aflojar el tornillo.

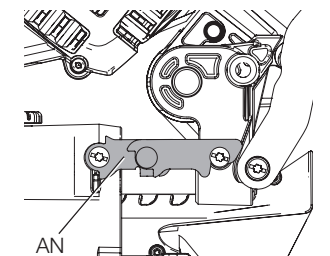
FIG. 9



## PALANCA DE BLOQUEO DESLIZANTE (FIG. 10)

La palanca de bloqueo deslizante (AN) coloca la sierra en una posición para maximizar el corte de la moldura base cuando se corta verticalmente como se muestra en la Figura 25.

FIG. 10



## FRENO ELÉCTRICO AUTOMÁTICO PARA LA HOJA

La sierra está equipada con un freno eléctrico automático para la hoja que detiene la hoja de la sierra en 5 segundos después de soltar el gatillo. Esto no puede ajustarse. En raras ocasiones el freno puede no activarse y la hoja continuará

moviéndose hasta detenerse. Si esto ocurre, espere varios minutos antes de seguir usándola. Si la condición persiste, puede que haya una falla. Lleve la herramienta para que sea reparada en un centro de servicio autorizado de DEWALT. Asegúrese siempre de que la hoja se haya parado antes de levantar el brazo y sacarla de la placa de corte. El freno no es un sustituto de los protectores. Asegúrese de mantener su propia seguridad prestando plena atención a la sierra.

#### ACTIVACIÓN DEL PROTECTOR Y VISIBILIDAD

**⚠ATENCIÓN:** *Riesgo de pellizco. Para reducir el riesgo de lesión, mantenga el pulgar por debajo del mango cuando jale el mango hacia abajo. El protector inferior se moverá hacia arriba mientras se tira del mango hacia abajo, lo cual podría ocasionar un pellizco.*

El protector de la hoja en su sierra ha sido diseñado para levantarse automáticamente cuando el brazo se pone hacia abajo y para bajarse por encima de la hoja cuando el brazo se levanta.

El protector puede levantarse con la mano al instalar o extraer hojas de la sierra o para inspeccionar la sierra. **NO LEVANTE NUNCA EL PROTECTOR DE LA HOJA CON LA MANO A MENOS QUE LA SIERRA ESTÉ APAGADA.**

**NOTA:** Para ciertos cortes especiales de material grande tendrá que levantar manualmente el protector. Consulte **Corte de material grande** bajo la sección de **Cortes especiales**.

La parte delantera del protector tiene rejillas para permitir la visibilidad mientras se corta. Aunque las lamas reducen de manera espectacular los desechos volantes, el protector tiene aberturas y deben usarse siempre lentes de seguridad cuando se mire a través de las lamas.

## MONTAJE

### Montaje en banco

En las cuatro patas hay orificios de montaje (E, Fig. 4) para facilitar el montaje sobre un banco. (Se suministran orificios de dos tamaños distintos para tornillos de diversos tamaños. Utilice uno de los orificios; no es necesario utilizar ambos). Monte siempre la sierra con firmeza en una superficie estable para que no se mueva. A fin de facilitar el transporte, la herramienta puede montarse sobre una pieza de madera contrachapada de al menos 1/2" de grosor, que se puede sujetar al soporte de trabajo que usted utilice o se puede trasladar a otros emplazamientos y volver a sujetarse.

**NOTA:** Si decide montar la sierra sobre una pieza de madera contrachapada, compruebe que los tornillos de montaje no sobresalgan de la parte inferior de la madera. Es imprescindible que la madera contrachapada quede bien nivelada sobre el soporte de trabajo. Al montar la sierra en cualquier superficie de trabajo, sujétela únicamente por los salientes donde están situados los orificios para los tornillos de montaje. Sujetarla por cualquier otro punto podría impedir el buen funcionamiento de la sierra.

**⚠ATENCIÓN:** *Para evitar trabazones e imprecisiones, compruebe que la superficie de montaje no esté combada ni tenga irregularidades. Si la sierra traquetea sobre la superficie, use un pedazo fino de material para calzar una de las patas de la sierra hasta que quede firme sobre la superficie de montaje.*

### Cambio o instalación de una nueva hoja de sierra (Fig. 11)

**⚠ADVERTENCIA:** *Para disminuir el riesgo de lesiones corporales graves, apague la herramienta y extraiga las baterías o la fuente de alimentación antes de transportar, realizar ajustes, limpiar, reparar o retirar/instalar accesorios. La puesta en marcha accidental puede causar lesiones.*

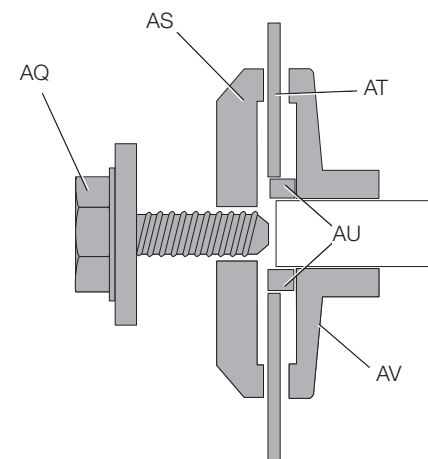
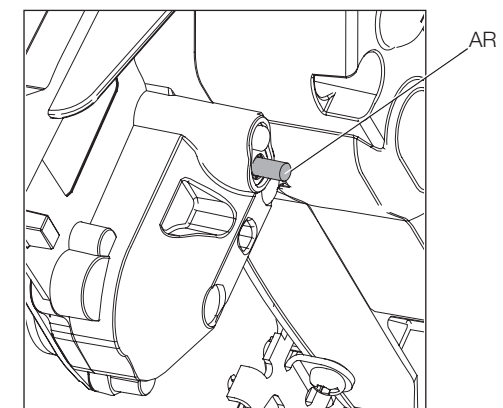
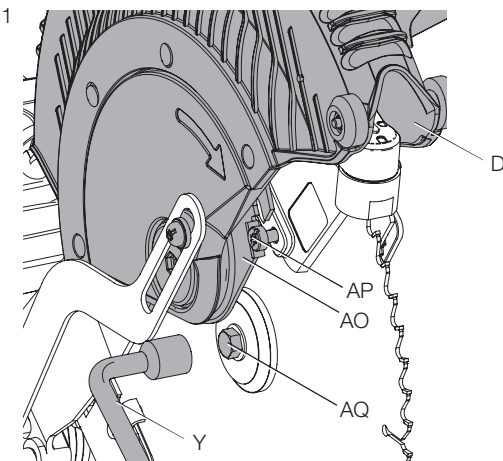
#### ⚠ATENCIÓN:

- No presione nunca el botón del seguro del eje mientras la hoja esté en funcionamiento o girando por inercia.
- No corte con esta sierra ingleteadora metal ferroso (que contenga hierro o acero) ni mampostería o productos de fibrocemento.
- No use hojas o discos abrasivos.

#### EXTRACCIÓN DE LA HOJA (FIG. 11)

1. Retire las baterías o la fuente de alimentación.
2. Levante el brazo hasta la posición superior y levante el protector inferior (D) lo más posible.
3. Afloje, pero no retire el tornillo de soporte del protector (AP) hasta que el soporte del protector (AO) pueda levantarse lo suficiente como para acceder al tornillo de la hoja (AQ) (con arandela integrada). El protector inferior permanecerá levantado debido a la posición del tornillo del soporte del protector.
4. Presione el botón del seguro del eje (AR) mientras rota con cuidado la hoja de la sierra a mano hasta que el bloqueo se active.

FIG. 11





- Manteniendo el botón presionado, use la otra mano y la llave provista (Y) para aflojar el tornillo de la hoja (AQ). (Gire en el sentido de las manillas del reloj, roscas hacia la izquierda).
- Retire el tornillo de la hoja (AQ), la arandela exterior de la hoja (AS), la hoja (AT) y el adaptador de la hoja (AU), si se utiliza. La arandela interior de la hoja (AV) puede dejarse en el eje.

**NOTA:** Para hojas con un orificio de 15,88 mm (5/8"), no se usa el adaptador de hoja de 25,4 mm (1").

#### INSTALACIÓN DE UNA HOJA (FIG. 11)

- Retire las baterías o la fuente de alimentación.
- Con el brazo levantado, el protector inferior (D) mantenido abierto y el soporte del protector (AO) levantado, coloque la hoja en el eje, en el adaptador de la hoja (si usa una hoja con un orificio de 25,4 mm [1".] de diámetro) y contra la abrazadera interior de la hoja con los dientes en la parte inferior de la hoja apuntando hacia la parte de atrás de la sierra.
- Ensamble la arandela de sujeción exterior en el eje.
- Instale el tornillo de la hoja (AQ) (con arandela integrada) y, activando el bloqueo del eje, apriete el tornillo firmemente con la llave (Y) provista (gire en sentido contrario a las manecillas del reloj, roscas hacia la izquierda).

**NOTA:** Cuando use hojas con un orificio de 15,88 mm (5/8") de diámetro, el adaptador de hoja no se utilizará y debería almacenarse en un lugar seguro para un futuro uso. El adaptador de hoja separado no está disponible en todos los modelos.

- Vuelva a poner el soporte del protector (AO) en su posición original y apriete firmemente el tornillo del soporte del protector (AP) para mantener el soporte en su sitio.

**⚠ADVERTENCIA:** Antes de poner la sierra en marcha se debe volver a poner el soporte del protector en su posición original y apretarse el tornillo del soporte del protector. No hacerlo podría permitir que el protector entre en contacto con la hoja de sierra en movimiento y provocar daños a la sierra y lesiones corporales graves.

#### AJUSTES

**⚠ADVERTENCIA:** Para disminuir el riesgo de lesiones corporales graves, apague la herramienta y extraiga las baterías o la fuente de alimentación antes de transportar, realizar ajustes, limpiar, reparar o retirar/instalar accesorios. La puesta en marcha accidental puede causar lesiones.

Su sierra ingleteadora se ajusta completa y adecuadamente en la fábrica en el momento de la fabricación. Si fuera preciso volver a realizar un ajuste debido al transporte y manipulación, o a cualquier otro motivo, siga las instrucciones que se describen a continuación para ajustar la sierra.

Una vez realizados estos ajustes, deberá mantenerse su precisión. Tómese un poco de tiempo ahora para seguir estas instrucciones con cuidado para mantener la exactitud de lo que es capaz su sierra.

#### AJUSTE DE LA ESCALA DE INGLETE (FIG. 6, 14)

Desbloquee la palanca de bloqueo de inglete (F), presione el botón de liberación de inglete (G) y desplace el brazo de inglete hasta que se bloquee en la posición de inglete de 0°. No bloquee la palanca de bloqueo de inglete. Coloque una escuadra contra la guía y la hoja de la sierra, como se muestra en la Figura 14. (No toque las puntas de los dientes de la hoja con la escuadra. Si lo hace obtendrá una medición inexacta). Si la hoja de la sierra no está exactamente perpendicular a la guía, afloje los cuatro tornillos (L) que sostienen la escala de inglete (K) y mueva la palanca de bloqueo de inglete (F) y la escala hacia la izquierda o la derecha hasta que la hoja esté perpendicular a la guía, según se mide con la escuadra. Vuelva a apretar los cuatro tornillos. En este momento no preste atención a la lectura del indicador de inglete.

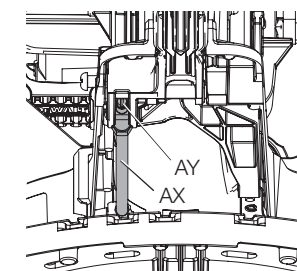
#### AJUSTE DEL INDICADOR DE INGLETE (FIG. 6)

Desbloquee la palanca de bloqueo de inglete (F) y mueva el brazo de inglete a la posición cero. Con la palanca de bloqueo de inglete desbloqueada, permita que el brazo de inglete quede fijo en su lugar mientras que gira el brazo de inglete hasta la posición cero. Observe el indicador de inglete (J) y la escala de inglete (K). Si el indicador no indica exactamente cero, afloje el tornillo del indicador del inglete sujetando el indicador en su sitio, vuelva a colocar el indicador y apriete el tornillo.

#### AJUSTE DEL BLOQUEO DE INGLETE (FIG. 6, 12)

La varilla de bloqueo de inglete (AX) debería ajustarse si la mesa de la sierra puede moverse cuando la palanca de bloqueo de inglete (F) esté bloqueada (hacia abajo). Para ajustar el bloqueo de inglete, ponga el mango de bloqueo de inglete en la posición de desbloqueo (hacia arriba). Utilizando una llave de extremo abierto de 1/2", afloja la tuerca de seguridad (AY) en la varilla de bloqueo de inglete (AX). Utilizando un atornillador ranurado, apriete la varilla de bloqueo de inglete girándola en sentido de las manillas del reloj. Gire la varilla de bloqueo hasta que esté bien ajustada, luego gírela una vuelta en sentido contrario a las manillas del reloj. Para asegurar que el bloqueo de inglete esté funcionando adecuadamente, vuelva a bloquear el bloqueo de inglete en una medida sin tope en la escala de inglete—por ejemplo, 34°—y asegúrese de que la mesa no se gire. Apriete la tuerca de seguridad.

FIG. 12



#### ESCUADRA DE BISEL PARA AJUSTE A LA MESA (FIG. 4, 8, 13)

Para alinear la escuadra de la hoja con la mesa, bloquee el brazo en posición hacia abajo con la clavija de bloqueo. Coloque una escuadra contra la hoja, asegurándose de que la escuadra no esté por encima de un diente. Afloje la perilla de bloqueo de bisel (F) y compruebe que el brazo esté apoyado firmemente contra el tope de bisel de 0°. Gire el tornillo de ajuste de bisel de 0° (AI, Figura 8) con la llave de hoja de 1/2" según sea necesario de manera que la hoja esté a un bisel de 0° con respecto a la mesa.

FIG. 13

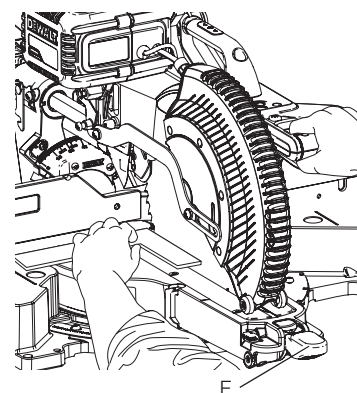
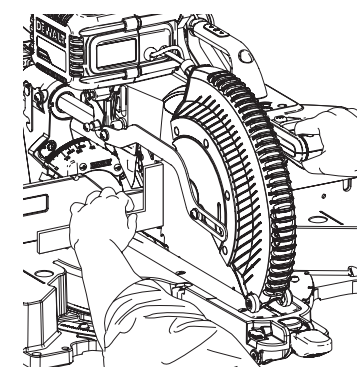


FIG. 14



#### INDICADORES DE BISEL (FIG. 8)

Si los indicadores de bisel (P) no indican cero, afloje cada tornillo (AJ) que sujeta cada indicador de bisel en su sitio y muévalos según sea necesario. Asegúrese de que el bisel de 0° sea correcto y los indicadores de bisel estén fijados antes de ajustar cualquier otro tornillo de ángulo de bisel.

## AJUSTE A LA DERECHA Y LA IZQUIERDA DEL TOPE DE BISEL DE 45° (FIG. 7, 8)

Hay dos palancas de anulaci3n de tope de bisel de 45°, una en cada lado de la sierra.

Para ajustar el 3ngulo de bisel derecho a 45°, afloje la perilla de bloqueo de bisel (Z) y jale la palanca de anulaci3n de bisel de 0° (AB) para anular el tope de bisel de 0°. Cuando la sierra est3 totalmente a la derecha, si el indicador de bisel (P) no indica exactamente 45°, gire el tornillo izquierdo de ajuste de bisel de 45° (AH) con la llave de hoja de 1/2" hasta que el indicador de bisel indique 45°.

Para ajustar el 3ngulo de bisel izquierdo a 45°, afloje primero la perilla de bloqueo de bisel (Z) e incline el cabezal a la izquierda. Si el indicador de bisel (P) no indica exactamente 45°, gire el tornillo de ajuste de bisel derecho de 45° (AH) hasta que el indicador de bisel indique 45°.

## ADJUSTE DEL TOPE DE BISEL EN 22,5° (O 33,9°) (FIG. 7, 8)

**NOTA:** Ajuste los 3ngulos de bisel solamente despu3s de realizar el ajuste del 3ngulo de bisel de 0° y del indicador de bisel.

Para fijar el 3ngulo de bisel izquierdo en 22,5°, voltee el seguro de bisel izquierdo de 22,5° (AE). Afloje la perilla de bloqueo de bisel (Z) e incline el cabezal completamente hacia la izquierda. Si el indicador de bisel (P) no indica exactamente 22,5°, gire el tornillo de ajuste para corona (AF) que est3 en contacto con el seguro con una llave de 7/16" hasta que el indicador de bisel indique 22,5°.

Para ajustar el 3ngulo de bisel derecho en 22,5°, voltee el seguro de bisel derecho de 22,5° (AE). Afloje la perilla de bloqueo de bisel (Z) y jale la palanca de anulaci3n de bisel de 0° (AB) para anular el tope de bisel de 0°. Cuando la sierra est3 totalmente a la derecha, si el indicador de bisel (P) no indica exactamente 22,5°, gire el tornillo de ajuste para corona (AF) que est3 en contacto con el seguro con una llave de 7/16" hasta que el indicador de bisel indique exactamente 22,5°.

## AJUSTE DE LAS GUÍAS (FIG. 7)

**⚠ADVERTENCIA:** Para disminuir el riesgo de lesiones corporales graves, apague la herramienta y extraiga las baterías o la fuente de alimentaci3n antes de transportar, realizar ajustes, limpiar, reparar o retirar/instalar accesorios. La puesta en marcha accidental puede causar lesiones.

Para que la sierra pueda biselar en muchas posiciones de bisel, pueden que tenga que ajustarse una de las guías (N) para proporcionar holgura. Para ajustar cada guía, afloje la perilla de ajuste de la guía (AZ), y deslice la guía (N) hacia afuera. Ensaye con la sierra apagada y compruebe el espacio. Ajuste la guía para que est3 lo m3s cerca posible de la hoja para proporcionar el m3ximo apoyo de la pieza de trabajo, sin interferir con el movimiento hacia arriba y hacia abajo del brazo. Apriete bien la perilla de ajuste de la guía (AZ). Cuando se hayan terminado las operaciones de biselado, no se olvide de volver a poner la guía en su sitio.

Para ciertos cortes, puede ser recomendable acercar las guías a la hoja. Para usar esta funci3n, gire las perillas de ajuste de las guías dos vueltas hacia atr3s y mueva las guías m3s cerca de la hoja pasado el l3mite normal, luego apriete las perillas de ajuste de las guías para mantener las guías en esta posici3n. Al usar esta funci3n, haga un corte de prueba primero para asegurarse de que la hoja no entre en contacto con las guías.

**NOTA:** Los rieles de la guías puede obstruirse con el aserr3n. Si observa que est3n empezando a obstruirse, use un cepillo o aire de baja presi3n para limpiar las ranuras de las guías.

## AJUSTE DE LA PLACA DE CORTE (FIG. 4)

Para ajustar las placas de corte (I), afloje los tornillos que mantienen las placas de corte en su lugar. Ajuste de tal modo que las placas de corte est3n lo m3s cerca posible sin interferir con el movimiento de la hoja.

Si se desea un ancho de corte cero, ajuste las placas de corte lo m3s cerca posible entre sí. Ahora pueden cortarse lentamente con la hoja de la sierra para proporcionar el espacio m3s peque1o posible entre la hoja y las placas de corte.

## AJUSTE DE LA GUÍA DE RIELES (FIG. 4)

Compruebe peri3dicamente los rieles para asegurarse de que no haya huelgos ni espacios. El riel derecho puede ajustarse con el tornillo de ajuste de riel (W) mostrado en la Figura 4. Para reducir la holgura, use una llave hexagonal de 4 mm y gire el tornillo de ajuste de riel en el sentido de las manillas del reloj gradualmente mientras desliza el cabezal de la sierra hacia atr3s y hacia adelante. Reduzca el huelgo mientras mantiene la fuerza de deslizamiento m3nima.

## FUNCIONAMIENTO

**⚠ADVERTENCIA:** Para disminuir el riesgo de lesiones corporales graves, apague la herramienta y extraiga las baterías o la fuente de alimentaci3n antes de transportar, realizar ajustes, limpiar, reparar o retirar/instalar accesorios. La puesta en marcha accidental puede causar lesiones.

**⚠ADVERTENCIA:** Utilice siempre protecci3n ocular. Todos los usuarios y observadores deben utilizar protecci3n ocular de conformidad con la norma ANSI Z87.1. (CAN/CSA Z94.3).

**⚠ADVERTENCIA:** Para asegurarse de que la trayectoria de la hoja est3 libre de obst3culos, siempre haga un corte de pr3ctica sin conexi3n el3ctrica antes de realizar cortes en la pieza de trabajo.

## Instalaci3n y extracci3n de las baterías (Fig. 15)

**NOTA:** Para obtener los mejores resultados, compruebe que las baterías est3n totalmente cargadas.

Para instalar las baterías (T) en la herramienta, alin3elas con los rieles en el lado de la carcasa del motor y desl3celas hacia adentro hasta que est3n firmemente ajustadas en la herramienta y aseg3rese de que no se salgan. Introduzca el protector contra el polvo (BG) en el recept3culo de la fuente de alimentaci3n con cable (BF) entre las baterías.

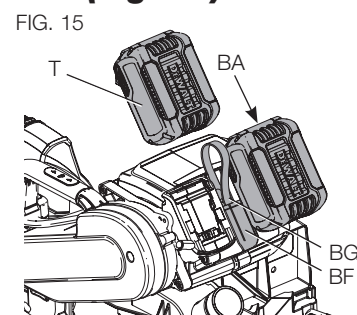
**AVISO:** Mantenga el protector contra el polvo en su sitio siempre que no est3 us3ndose la fuente de alimentaci3n con cable.

Para sacar las baterías de la herramienta, presione el bot3n de liberaci3n de las baterías (BA) y saque las baterías jalando firmemente hacia afuera. Ins3rtelas en el cargador tal como se describe en la secci3n del cargador de este manual.

## Instalaci3n y extracci3n de la fuente de alimentaci3n con cable en y de la herramienta (Fig. 16–18)

Antes de insertar la fuente de alimentaci3n con cable en la herramienta, retire el extremo del protector contra el polvo (BG) del recept3culo de la fuente de alimentaci3n con cable (BF) de la herramienta. Retire el protector contra el polvo del recept3culo de la fuente de alimentaci3n con cable de la herramienta para que no interfiera con la inserci3n de la fuente de alimentaci3n con cable. Inspeccione el recept3culo de la fuente de alimentaci3n con cable para ver si hay residuos. Los residuos dentro del recept3culo pueden impedir que la fuente de alimentaci3n con cable encaje totalmente. Si hay residuos, limpielo usando aire de baja presi3n. Consulte la secci3n Limpieza del recept3culo de la fuente de alimentaci3n con cable.

**AVISO:** La fuente de alimentaci3n con cable es para fuentes de corriente alterna solamente cuando se usa con esta herramienta. El uso con fuentes de corriente continua podr3 ocasionar da1os a la herramienta.



Para instalar la fuente de alimentación con cable en la herramienta:

1. Con la fuente de alimentación con cable desenchufada, alinee su conector de CA con el receptáculo de la fuente de alimentación con cable (BF) de la herramienta y luego encájela en su lugar con un clic.
2. Asegúrese de que esté bien fija en la herramienta y de que no se salga.
3. Ajuste el protector contra el polvo (BG) en el sujetador de dicho protector (BH Fig. 17) en la fuente de alimentación con cable.
4. Asegure el clip para cable (BD) en el sujetacables de la herramienta (BC Fig. 18). Presione firmemente el clip en el sujetador.
5. Con la herramienta apagada, enchufe la fuente de alimentación con cable en una toma de corriente eléctrica doméstica estándar de 120 V. No intente usar la fuente de alimentación con cable con ningún otro voltaje.
6. Utilice la herramienta siguiendo las instrucciones de la misma, asegurándose de que el cable esté ubicado de modo que no lo pise nadie, ni se tropiece con él, y que no esté sujeto a daños o tensiones.

Para retirar la fuente de alimentación con cable de la herramienta, desenchufe primero la fuente alimentación con cable de la toma de corriente, luego presione el botón de liberación (BE) y jale firmemente para sacar la fuente de alimentación con cable de la herramienta. Presione firmemente el extremo del protector contra el polvo (BG) en el receptáculo de la fuente de alimentación con cable (BF) de la herramienta.

FIG. 17

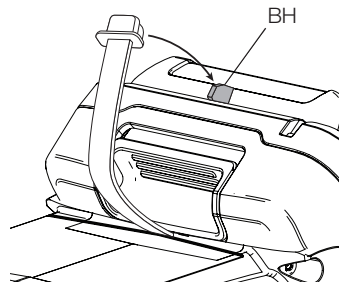
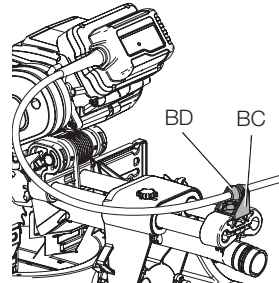


FIG. 18



### Interruptor de gatillo (Fig. 19)

Para encender la sierra, empuje el botón de bloqueo (C) hacia la izquierda, luego presione el interruptor de gatillo (B). La sierra funcionará mientras el interruptor esté apretado. Deje que la hoja gire hasta la velocidad máxima de funcionamiento antes de realizar el corte. Para apagar la sierra, suelte el interruptor. Deje que la hoja se detenga antes de levantar el cabezal de la sierra. Esta herramienta no se ha diseñado para permitir el bloqueo del interruptor en la posición de encendido. En el gatillo hay un orificio (BI) que permite introducir un candado para bloquear el interruptor en apagado.

Asegúrese siempre de que la hoja se haya parado antes de sacarla de la línea de corte.

FIG. 19

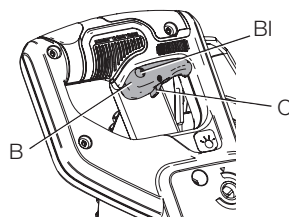
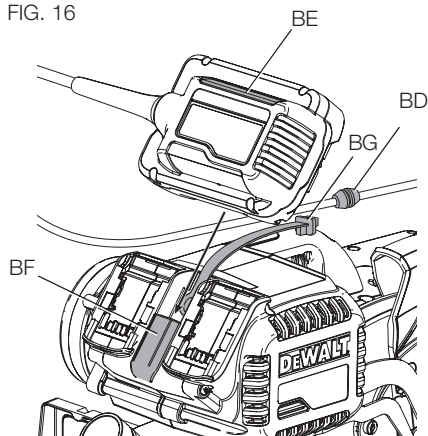


FIG. 16



### Posición del cuerpo y de las manos (Fig. 20A, 20B)

Una posición adecuada del cuerpo y las manos es esencial al operar la sierra ingleteadora. No coloque nunca las manos dentro del área de corte entre las dos líneas rojas en la base mientras la hoja esté girando. Al cortar, sujete firmemente la pieza de trabajo a la mesa y a la guía. Mantenga ambas manos en su lugar hasta que se haya soltado el gatillo y la hoja se haya detenido por completo. REALICE SIEMPRE PRUEBAS "EN SECO" (SIN ELECTRICIDAD) ANTES DE HACER LOS CORTES DEFINITIVOS, DE FORMA QUE PUEDA COMPROBAR EL RECORRIDO DE LA HOJA. NO CRUCE LAS MANOS, COMO SE MUESTRA EN LA FIGURA 20B.

Coloque los dos pies firmemente sobre el piso y mantenga el equilibrio adecuado. Conforme desplace el brazo de inglete a izquierda y derecha, sígalo y colóquese ligeramente a un lado de la hoja de la sierra. Mire a través de las lamas del protector cuando siga una línea a lápiz.

### Realizar cortes con la sierra

**⚠ADVERTENCIA:** Para disminuir el riesgo de lesiones corporales graves, apague la herramienta y extraiga las baterías o la fuente de alimentación antes de transportar, realizar ajustes, limpiar, reparar o retirar/instalar accesorios. La puesta en marcha accidental puede causar lesiones.

Si no se utiliza la característica de deslizamiento, asegúrese de que el cabezal de la sierra se empuje hacia atrás lo más posible y de que se apriete la perilla de bloqueo del riel (V, Fig. 4). Así se evitará que la sierra se deslice por los rieles mientras se corta la pieza de trabajo.

**NOTA:** Aunque esta sierra corta madera y muchos materiales no ferrosos, limitaremos nuestra discusión detallada solamente al corte de madera. Con otros materiales se aplican las mismas pautas. **NO CORTE MATERIALES FERROSOS (HIERRO Y ACERO), MAMPOSTERÍA O FIBRA DE CEMENTO CON ESTA SIERRA.** No utilice hojas abrasivas de ningún tipo.

**NOTA:** Consulte **Activación del protector y visibilidad** en la **sección Funciones y controles** para obtener información importante sobre el protector inferior antes de realizar cortes.

### CALIDAD DEL CORTE

La uniformidad del corte depende de diferentes variables. El tipo de material a cortar, el tipo y filo de la hoja, y la velocidad del corte contribuyen a la calidad.

Cuando se necesitan cortes más uniformes para molduras u otros trabajos de precisión, se debe usar una hoja afilada (60 dientes de carburo) y una velocidad de corte más lenta para lograr los resultados deseados.

Asegúrese de que el material no se mueve o se arrastra durante el corte; sujételo firmemente en su lugar. Siempre permita que la hoja se detenga por completo antes de levantar el brazo de la sierra.

Si aun así se desprenden pequeñas fibras de la parte trasera de la pieza de trabajo, pegue un trozo de cinta adhesiva en la madera donde se realizará el corte. Corte con la sierra a través de la cinta y retírela con cuidado cuando termine.

Para diferentes aplicaciones de cortes, consulte la lista de hojas recomendadas para su sierra y elija la que más se adapte a sus necesidades. Consulte **Hojas de sierra** bajo **Accesorios**.

### SUJECIÓN DE LA PIEZA DE TRABAJO

**⚠ADVERTENCIA:** Para reducir el riesgo de lesiones, apague la herramienta y desconéctela de la fuente de alimentación antes de intentar moverla, cambiar accesorios o hacer ajustes.

**⚠ADVERTENCIA:** Una pieza de trabajo que está sujeta con la abrazadera, equilibrada y asegurada antes de realizar un corte puede desequilibrarse después de finalizar el corte. Una carga desequilibrada puede inclinar la sierra o cualquier objeto en el que esté instalada dicha sierra, como una mesa o un banco de trabajo. Al realizar un corte que puede desequilibrarse, sostenga adecuadamente la pieza de trabajo y asegúrese de que la sierra esté atornillada con firmeza a una superficie estable. Pueden ocasionar lesiones personales.



FIG. 20A

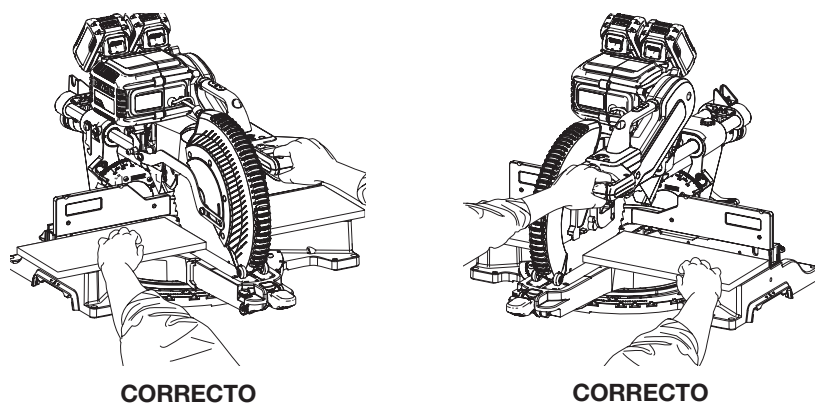
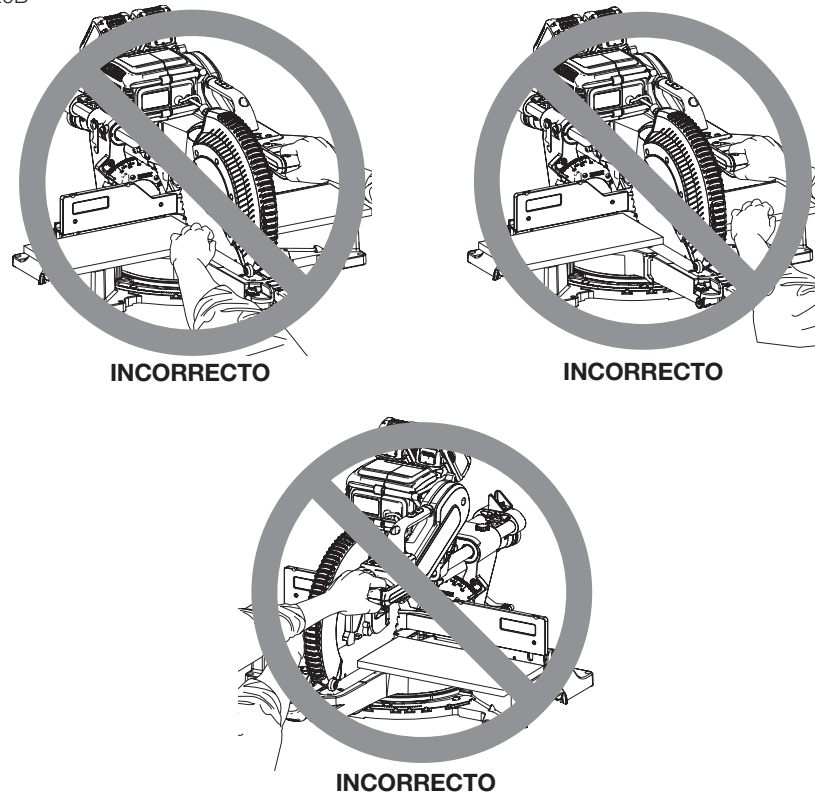


FIG. 20B



**⚠ADVERTENCIA:** El pie de la abrazadera debe permanecer sujeto con la abrazadera por encima de la base de la sierra siempre que se utilice la abrazadera. Siempre sujete la pieza de trabajo con la abrazadera a la base de la sierra (no a cualquier otra pieza del área de trabajo). Asegúrese de que el pie de la abrazadera no esté sujeto al borde de la base de la sierra.

**⚠ATENCIÓN:** Siempre use una abrazadera para el trabajo a fin de mantener el control y reducir el riesgo de dañar la pieza de trabajo y de lesiones personales, si es obligatorio que sus manos estén a no más de 152 mm (6") de la hoja durante el corte.

Si no puede sujetar la pieza de trabajo con la mano sobre la mesa y contra el reborde, (forma irregular, etc.), o si su mano quedara a menos de 152 mm (6") de la hoja, debe utilizar una abrazadera u otro tipo de sujeción.

Use la abrazadera para sujetar los materiales suministrada con su sierra. Para adquirir la abrazadera para sujetar los materiales, póngase en contacto con su distribuidor local ó centro de servicio DEWALT.

También pueden ser apropiados otros accesorios, como las abrazaderas de resorte, las abrazaderas de barra o las abrazaderas en C, según los diferentes tamaños y formas del material. Sea cuidadoso al elegir y colocar estas abrazaderas. Tómese el tiempo para ensayar el corte con la sierra apagada antes de realizarlo. El reborde izquierdo o derecho se deslizará de lado a lado para facilitar la sujeción.

#### PARA INSTALAR LA ABRAZADERA

1. Introdúzcala en el orificio (AA, Fig. 4) detrás de la guía. La abrazadera debe estar mirando hacia la parte posterior de la sierra ingletadora. La ranura en la barra de la abrazadera debe estar completamente dentro de la base. Asegúrese de que esta ranura esté completamente dentro de la base de la sierra ingletadora. Si la ranura está visible, la abrazadera no estará segura.
2. Gire la abrazadera 180° hacia el frente de la sierra ingletadora.
3. Suelte la perilla para ajustar la abrazadera hacia arriba o abajo, luego, utilice la perilla fina ajustable para sostener con firmeza la pieza de trabajo con la abrazadera.

**NOTA:** Coloque la abrazadera en el lado opuesto de la base al realizar el biselado. SIEMPRE ENSAYE ANTES DE REALIZAR LOS CORTES (SIN CORRIENTE ELÉCTRICA) PARA COMPROBAR EL TRAYECTO DE LA HOJA. ASEGÚRESE DE QUE LA ABRAZADERA NO INTERFIERA CON LA ACCIÓN DE LA SIERRA O LOS PROTECTORES.

#### Soporte de piezas largas

**⚠ADVERTENCIA:** Para disminuir el riesgo de lesiones corporales graves, apague la herramienta y extraiga las baterías o la fuente de alimentación antes de transportar, realizar ajustes, limpiar, reparar o retirar/instalar accesorios. La puesta en marcha accidental puede causar lesiones.

SIEMPRE UTILICE SOPORTES PARA LAS PIEZAS LARGAS.

Nunca ponga a otra persona como extensión del banco, como punto de apoyo adicional para una pieza de trabajo que es más larga o ancha que el banco básico de la sierra ingletadora, o para que lo ayude a cargar, sostener o empujar la pieza de trabajo.

Para obtener los mejores resultados, utilice el soporte de extensión para piezas de trabajo DW7080 para ampliar el ancho de mesa de su sierra; está disponible en su distribuidor a un costo adicional. Utilice algún soporte conveniente para apoyar las piezas de trabajo largas, como los caballetes de aserrar u otro dispositivo similar, a fin de evitar que se caigan los extremos de la pieza.

### CORTES TRANSVERSALES (FIG. 4, 21)

Los cortes transversales se realizan cruzando la veta de la madera en cualquier ángulo. Los cortes transversales rectos se realizan con el brazo del inglete en la posición de cero grado. Fije y bloquee el brazo del inglete en cero, sostenga la madera firmemente sobre la mesa y contra el reborde. Con la perilla de bloqueo de riel apretada (V), encienda la sierra accionando el interruptor disparador que se muestra en la Figura 4.

Una vez que la sierra haya alcanzado velocidad (al cabo de 1 segundo), baje el brazo uniforme y lentamente para cortar a través de la madera. Espere a que la hoja se detenga por completo para levantar el brazo.

Cuando corte algún material más largo de 2 x 8 (51 x 203 mm [2 x 6 (51 x 152 mm) a 45° de inglete]), utilice un movimiento hacia afuera, hacia abajo y hacia atrás con la perilla de bloqueo de riel floja. Traiga la sierra hacia usted, baje la cabeza de la sierra en dirección a la pieza de trabajo y lentamente, empuje la sierra hacia atrás para completar el corte. No permita que la sierra toque la parte superior de la pieza de trabajo mientras la retira. La sierra podría correrse hacia usted, provocándole lesiones personales u ocasionando daños a la pieza de trabajo.

No se recomienda cortar muchas piezas, aunque es posible hacerlo en forma segura siempre que cada pieza esté sostenida firmemente contra la mesa y el reborde.

**NOTA:** Para proporcionar una mayor capacidad de corte transversal con una carrera reducida, la hoja de la sierra se extiende más profundamente en la mesa. As a result, a greater lifting force on the workpiece may be experienced during the cut.

**⚠ ATENCIÓN:** Siempre use una abrazadera para el trabajo a fin de mantener el control y reducir el riesgo de dañar la pieza de trabajo y de lesiones personales, si es obligatorio que sus manos estén a no más de 152 mm (6") de la hoja durante el corte.

**NOTA:** La perilla de bloqueo de riel (V) que se muestra en la Figura 4 debe estar floja para permitir que la sierra se deslice a lo largo de los rieles.

Los cortes transversales a inglete se hacen con el brazo de los ingletes en un ángulo distinto de cero. Este ángulo suele ser de 45° para formar esquinas, pero se puede fijar en cualquier parte desde cero a 50° a la izquierda o 60° a la derecha. Haga el corte como se describe anteriormente.

Al realizar un corte a inglete en piezas de trabajo con una anchura mayor de 2 x 6 que son más cortas en longitud, coloque siempre el lado más largo contra el reborde (Fig. 21).

Para cortar siguiendo una línea marcada con lápiz sobre la pieza de madera, haga coincidir el ángulo de la forma más precisa posible. Corte la madera con un largo un poco excesivo y mida la distancia desde la línea marcada con lápiz al borde del corte, para determinar en qué dirección se debe ajustar el ángulo del inglete; luego vuelva a realizar el corte. Este proceso requiere cierta práctica, pero es una técnica muy utilizada.

### CORTES BISELADOS

Un corte en bisel es un corte transversal hecho con la hoja de la sierra inclinada en ángulo con relación a la madera. Con el fin de fijar el bisel, afloje el bloqueo del bisel (V, Fig. 4), y mueva la sierra hacia la izquierda o la derecha según se desee. (Es necesario mover el reborde para dejar espacio libre.) Una vez que ha sido fijado el ángulo de bisel deseado, apriete el bloqueo del bisel con firmeza. Refiérase a la sección **Características y controles** para obtener instrucciones detalladas sobre el sistema de biselado.

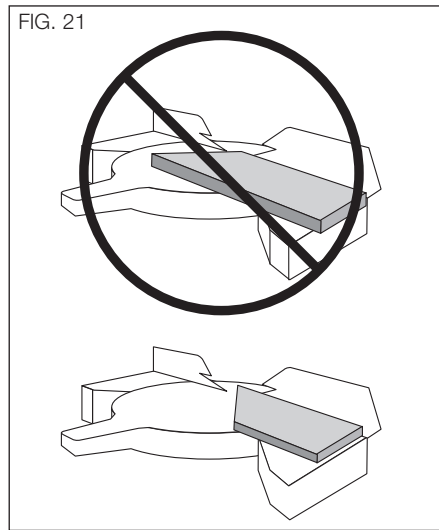


FIG. 21

Los ángulos de bisel se pueden fijar desde 49° a la derecha a 49° a la izquierda y se pueden cortar con el brazo del inglete fijo entre 50° a la izquierda o 60° a la derecha. Es posible que haya que retirar el reborde lateral izquierdo o derecho para algunos ángulos extremos. Para quitar el reborde izquierdo o derecho, desenrosque varias vueltas de la perilla de regulación del reborde y retire el reborde.

**NOTA:** Consulte **Ajuste de reborde** en la sección **Ajustes** para obtener información importante sobre el ajuste de los rebordes para determinados cortes en bisel.

### Corte de marcos para fotos, cajas para exhibir objetos y otros elementos de cuatro lados (Fig. 22, 23)

Para comprender mejor cómo se fabrican los elementos aquí enumerados, le sugerimos que intente con algunos proyectos simples, usando madera de descarte, hasta que se acostumbre y domine a la sierra.

La sierra es la herramienta perfecta para cortar esquinas a inglete, como la que se muestra en la Figura. El esquema A de la Figura 23 muestra un empalme hecho con la regulación de bisel para biselar los bordes de dos placas a 45° cada una y obtener una esquina a 90°. Para hacer este empalme, el brazo del inglete se bloqueó en la posición cero y la regulación de bisel se bloqueó a 45°. La madera se ubicó con el lado plano ancho contra la mesa y el borde angosto contra el reborde. El corte también se podría haber hecho cortando a inglete de derecha a izquierda, con la superficie ancha contra el reborde.

FIG. 22

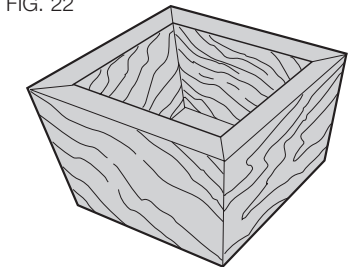
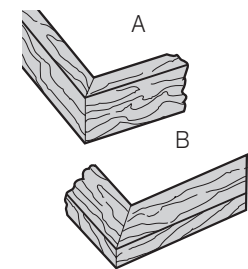


FIG. 23



### Corte de molduras de terminación y otros marcos (Fig. 23)

El esquema B de la Figura 23 muestra un empalme realizado con la regulación del brazo de inglete a 45°, para cortar a inglete las dos placas a fin de formar una esquina a 90°. Para hacer este tipo de empalme, fije la regulación del bisel en cero y el brazo de inglete a 45°. Nuevamente, ubique la madera con el lado plano ancho sobre la mesa y el borde angosto contra el reborde.

Los dos esquemas de la Figura 23 corresponden a objetos de cuatro lados.

Si cambia la cantidad de lados, también cambian los ángulos de bisel e inglete. El siguiente cuadro presenta los ángulos adecuados para diferentes formas.

#### - EJEMPLOS -

NÚMERO DE LADOS	ÁNGULO DE INGLETE O BISEL
4	45°
5	36°
6	30°
7	25,7°
8	22,5°
9	20°
10	18°

En el cuadro se presupone que todos los lados tienen la misma longitud. Para las formas que no figuran en el cuadro, utilice la siguiente fórmula: Divida 180° por la cantidad de lados

y obtendrá el ángulo de inglete (si el material se corta en forma vertical) o bisel (si el material se corta en posición plana).

### Corte de ingletes compuestos (Fig. 24)

Los ingletes compuestos son cortes que se realizan utilizando un ángulo de inglete y un ángulo de bisel en forma simultánea. Este tipo de corte se utiliza para hacer marcos o cajas con lados inclinados, como el que se muestra en la Figura 24.

**NOTA:** Si el ángulo de corte varía de corte a corte, compruebe que la perilla de fijación de bisel y la palanquita de bloqueo de inglete estén bien bloqueadas. Estos deben ser bloqueadas después de hacer cualquier cambio en bisel o inglete.

El gráfico al final de este manual (Tabla 1) le ayudará a seleccionar los ajustes de bisel o inglete adecuados para los cortes de ingletes compuestos más comunes. Para utilizar este cuadro, seleccione el ángulo deseado A (Fig. 24) del proyecto y ubique ese ángulo en el arco apropiado del cuadro. Desde ese punto, siga el cuadro en línea recta hacia abajo hasta encontrar el ángulo de bisel correcto y en línea perpendicular, para encontrar el ángulo de inglete correcto.

Fije la sierra en los ángulos indicados y efectúe algunos cortes de prueba. Practique empalmando las piezas cortadas hasta que se familiarice con este procedimiento y se sienta cómodo.

**Ejemplo:** Para hacer una caja de cuatro lados con ángulos exteriores de 26° (Ángulo A, Fig. 24), utilice el arco derecho superior. Busque 26° en la escala del arco. Siga la línea de intersección horizontal hacia cualquiera de los lados para obtener la regulación del ángulo de inglete en la sierra (42°). De la misma manera, siga la línea de intersección vertical hacia la parte superior o inferior para obtener la regulación de ángulo de bisel en la sierra (18°). Siempre pruebe los cortes sobre algunas piezas de madera de descarte para verificar las regulaciones de la sierra.

### Corte de molduras de base (Fig. 25)

SIEMPRE ENSAYE CON LA SIERRA APAGADA ANTES DE REALIZAR CUALQUIER TIPO DE CORTE.

Cortes rectos de 90°:

Ubique la madera contra el reborde y sosténgala en posición, como se muestra en la Figura 25. Encienda la sierra, permita que la hoja alcance la velocidad máxima y baje el brazo suavemente a través del corte.

FIG. 25

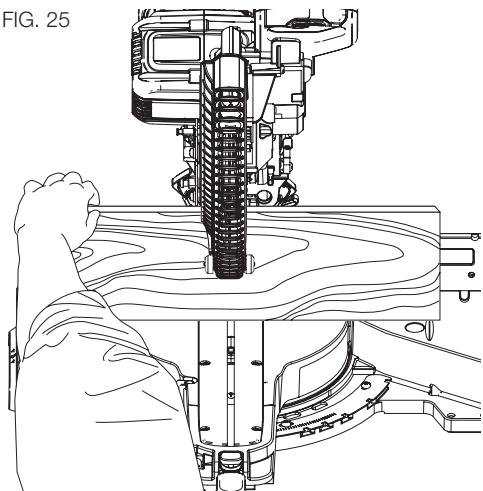
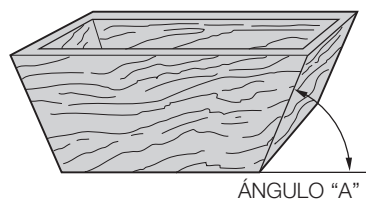


FIG. 24



### CORTE DE MOLDURAS DE BASE DESDE 76 mm HASTA 171 mm (3" a 6,75") DE ALTO VERTICALMENTE CONTRA EL REBORDE

**NOTA:** Utilice la palanca de bloqueo deslizante (AN), mostrada en la Figura 10, al cortar molduras de base que midan desde 76 mm hasta 171 mm (3" hasta 6,75") de alto verticalmente contra el reborde.

Ubique el material como se muestra en la Figura 25.

Todos los cortes deben realizarse con la parte posterior de la moldura contra el reborde y con la parte inferior de la moldura contra la mesa.

	ESQUINA INTERIOR	ESQUINA EXTERNA
Lado izquierdo	Inglete izquierdo a 45° Conservar el lado izquierdo del corte	Inglete derecho a 45° Conservar el lado izquierdo del corte
Lado derecho	Inglete derecho a 45° Conservar el lado derecho del corte	Inglete izquierdo a 45° Conservar el lado derecho del corte

Para cortar materiales de hasta 171 mm (6,75"), siga la descripción anterior.

### Corte de molduras de corona

Su sierra ingletadora se adapta bien a la tarea de cortar molduras de corona. Para poder instalar adecuadamente las molduras de corona, los ingletes compuestos se deben regular con suma precisión.

Las dos superficies planas de una pieza de moldura de corona están en ángulos que, cuando se juntan, forman un ángulo de 90° exactos. La mayoría de las molduras de corona, aunque no todas, tienen un ángulo posterior superior (la sección que encaja plana contra el techo) a 52° y un ángulo posterior inferior (la parte que encaja plana contra la pared) a 38°.

La sierra ingletadora tiene puntos de cerrojo de inglete preestablecidos a 31,62° a la izquierda y derecha para cortes de molduras de corona del ángulo adecuado, y seguros de tope de bisel a 33,9° a la izquierda y derecha. También hay una marca en la escala de bisel a 33,9°.

El cuadro siguiente presenta las regulaciones adecuadas para los cortes de molduras de corona. (Los números de las regulaciones de inglete y bisel son muy precisos y no son fáciles de regular con precisión en la sierra.) Dado que la mayoría de las habitaciones no tienen ángulos exactos a 90°, deberá afinar las regulaciones de todos modos.

**¡HACER PRUEBAS CON MATERIAL DE DESCARTE ES MUY IMPORTANTE!**

#### INSTRUCCIONES PARA CORTAR MOLDURAS DE CORONA EN POSICIÓN PLANA Y USANDO LAS FUNCIONES COMPUESTAS (FIG. 26)

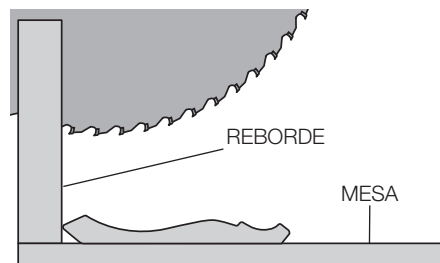
1. La moldura debería quedar plana con la superficie trasera ancha hacia abajo sobre la mesa de la sierra (Fig. 26).
2. Parte superior de la moldura contra el reborde.
3. Los siguientes ajustes corresponden a las molduras de corona estándar (EE.UU) con ángulos de 52° y 38°.

	ESQUINA INTERIOR	ESQUINA EXTERNA
Lado izquierdo	Bisel izquierdo 33,9° Mesa de inglete fijada a 31,62° derecho Conservar el extremo izquierdo del corte	Bisel derecho 33,9° Mesa de inglete fijada a 31,62° izquierdo Conservar el extremo izquierdo del corte
Lado derecho	Bisel derecho 33,9° Mesa de inglete fijada a 31,62° izquierdo Conservar el extremo derecho del corte	Bisel izquierdo 33,9° Mesa de inglete fijada a 31,62° derecho Conservar el extremo derecho del corte



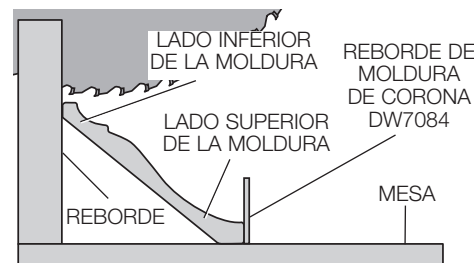
Cuando fije los ángulos de bisel e inglete para todos los ingletes compuestos, recuerde que: Los ángulos presentados para las molduras de corona son muy precisos y difíciles de fijar con exactitud. Dado que los ángulos se pueden alterar con facilidad, y dado que pocas habitaciones forman esquinas en escuadra exacta, todos los ajustes deben probarse en molduras de descarte.

FIG. 26



MOLDURA DE CORONA PLANA SOBRE LA MESA Y CONTRA EL REBORDE

FIG. 27



MOLDURA DE CORONA ENTRE REBORDE Y MESA

**¡HACER PRUEBAS CON MATERIAL DE DESCARTE ES MUY IMPORTANTE!**

**MÉTODO ALTERNATIVO PARA CORTAR MOLDURAS DE CORONA (FIG. 27)**

Coloque la moldura sobre la mesa en ángulo entre el reborde y la mesa de la sierra, como se muestra en la Figura 27. Se recomienda utilizar el accesorio de reborde para moldura (DW7084), por su grado de precisión y comodidad (Consulte **Accesorios opcionales**). Puede comprar el accesorio de reborde para molduras de corona en el distribuidor de su localidad.

La ventaja de cortar molduras de corona con este método es que no requiere ningún corte biselado. Se pueden realizar cambios minuciosos en el ángulo del inglete sin afectar el ángulo de bisel. De esta forma, cuando se encuentran esquinas que no tienen 90°, la sierra se puede regular rápida y fácilmente. Utilice el accesorio de reborde para molduras de corona para mantener el ángulo en el que estará la moldura sobre la pared.

**INSTRUCCIONES PARA CORTE DE MOLDURAS DE CORONA EN ÁNGULO ENTRE EL REBORDE Y LA BASE DE LA SIERRA PARA TODOS LOS CORTES**

1. Disponga en ángulo la moldura de tal modo que la parte inferior de la moldura (la que va contra la pared cuando está instalada) esté contra el reborde y la parte superior de la moldura se apoye sobre la mesa de la sierra, como se muestra en la Figura 27.
2. Los "planos" en la parte posterior de la moldura deben descansar directamente sobre el reborde y la mesa de la sierra.

	ESQUINA INTERIOR	ESQUINA EXTERNA
Lado izquierdo	Inglete derecho a 45° Conserve el lado derecho del corte	Inglete izquierdo a 45° Conserve el lado derecho del corte
Lado derecho	Inglete izquierdo a 45° Conserve el lado izquierdo del corte	Inglete derecho a 45° Conserve el lado izquierdo del corte

**Cortes especiales**

**NUNCA REALICE CORTES SIN QUE EL MATERIAL ESTÉ BIEN SUJETO A LA MESA Y CONTRA EL REBORDE.**

**CORTE DE ALUMINIO (FIG. 28, 29)**

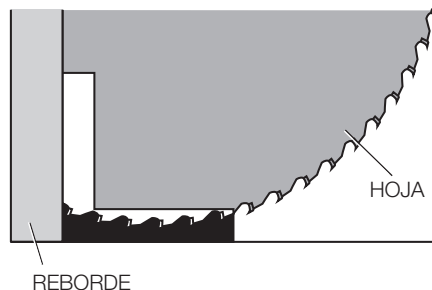
UTILICE SIEMPRE HOJAS DE SIERRA ADECUADAS, FABRICADAS ESPECÍFICAMENTE PARA CORTAR ALUMINIO. Las puede conseguir en el comercio minorista DEWALT de su localidad o en el centro de servicios DEWALT. Determinadas piezas de trabajo, debido a su tamaño, forma o acabado de superficie pueden requerir el uso de una abrazadera o sujeción para evitar movimientos durante el corte. Ubique al material de manera de cortar la sección más delgada, como se muestra en la Figura 28. La Figura 29 muestra la forma incorrecta de cortar estas extrusiones. Utilice un lubricante de corte de cera en barra cuando corte aluminio. Aplique el lubricante de corte de cera en barra directamente en la hoja de la sierra antes de cortar. Nunca aplique cera en barra en una hoja en movimiento.

La cera, disponible en la mayoría de las ferreterías y en los comercios de abastecimiento para talleres industriales, ofrece la lubricación adecuada y evita que las rebabas se adhieran a la hoja.

Asegúrese de sujetar bien la pieza de trabajo en forma adecuada.

Consulte las **Hojas para sierras** en **Accesorios opcionales** encontrará la hoja de sierra correcta.

FIG. 28



CORRECTO

FIG. 29

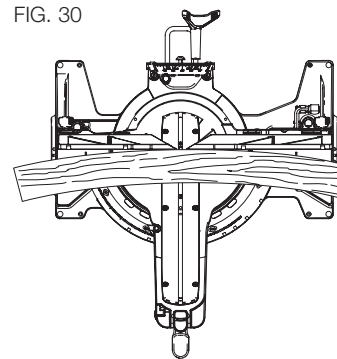


INCORRECTO

**MATERIAL CURVADO (FIG. 30, 31)**

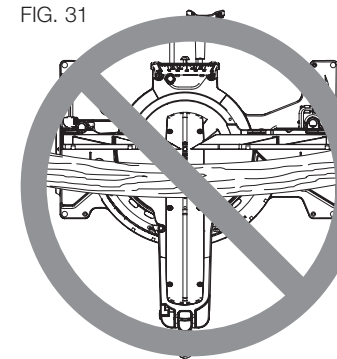
Cuando corte material curvado, siempre colóquelo como se muestra en la Figura 30 y nunca como se muestra en la Figura 31. La colocación incorrecta del material puede provocar que se pellizque la hoja cerca de la finalización del corte.

FIG. 30



CORRECTO

FIG. 31



INCORRECTO

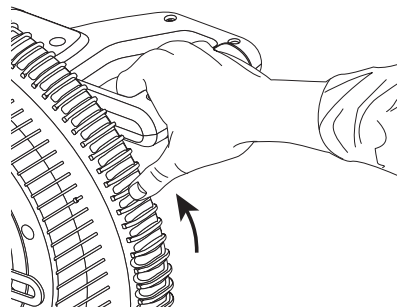
## CORTES DE CAÑOS PLÁSTICOS U OTROS MATERIALES REDONDOS

De los caños de plástico se pueden cortar fácilmente con la sierra. Se cortan como madera y **SE SUJETAN O SOSTIENEN FIRMEMENTE AL REBORDE PARA EVITAR QUE RUEDEN.** Esto es muy importante cuando se realizan cortes en ángulo.

## CORTE DE MATERIAL DE GRAN TAMAÑO (FIG. 32)

De vez en cuando se encontrará con un trozo de madera un poco grande para caber debajo del protector inferior. De ser así, simplemente coloque su pulgar derecho en la parte superior del protector y enróllelo hacia arriba lo suficiente para despejar la pieza de trabajo según se muestra en la Figura 32. Evite hacer esto con demasiada frecuencia, pero si es necesario, la sierra funcionará correctamente y realizará el corte más grande. **NUNCA ATE, COLOQUE CINTA O MANTENGA ABIERTO EL PROTECTOR MIENTRAS OPERA ESTA SIERRA.**

FIG. 32



## CONFIGURACIÓN ESPECIAL PARA CORTES TRANSVERSALES ANCHOS (FIG. 33, 34)

La sierra puede cortar piezas de trabajo muy anchas (de hasta 409 mm [16,1"] cuando se utiliza una configuración especial. Para configurar la sierra para cortar estas piezas de trabajo, siga los siguientes pasos:

1. Retire de la sierra los dos rebordes correderos, izquierdo y derecho, y póngalos a un lado. Para quitarlos, desenrosque las perillas de regulación del reborde varias vueltas y deslice cada reborde hacia afuera. Ajuste y asegure el control de inglete para que quede a 0° de inglete.
2. Realice una plataforma usando una pieza de 38 mm (1,5") de espesor de una placa de partículas o madera espesa similar plana y fuerte de 38 mm, con las siguientes dimensiones: 368 x 660 mm (14,5" x 26"). La plataforma debe ser plana, de lo contrario el material se podría mover durante el corte y provocar lesiones.
3. Monte la plataforma de 368 x 660 mm en la sierra usando cuatro tornillos para madera de 76,2 mm (3") de largo a través de los orificios en el reborde de la base (Fig. 33). Se deben usar cuatro tornillos para sujetar adecuadamente el material. Cuando se utiliza la configuración especial, la plataforma se cortará en dos piezas. Asegúrese de que los tornillos estén ajustados adecuadamente, de lo contrario el material se aflojará y podría provocar lesiones. Asegúrese de que la plataforma sea plana y esté firme sobre la mesa, contra el reborde y centrada en forma pareja de izquierda a derecha.

FIG. 33

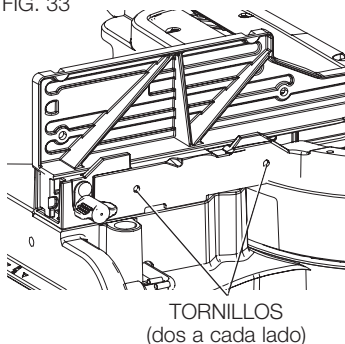
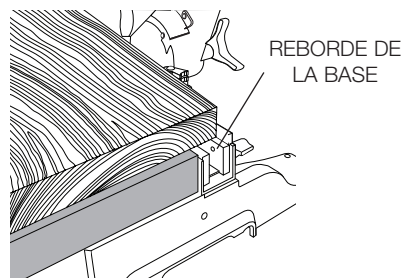


FIG. 34



**⚠ADVERTENCIA:** Asegúrese de que la sierra esté montada firmemente en una superficie plana estable. De lo contrario, la sierra quedaría inestable y se podría caer, provocando lesiones personales.

4. Coloque la pieza de trabajo a cortar en la parte de arriba de la plataforma montada sobre la mesa. Cerciórese de que la pieza de trabajo repose firmemente contra la parte de atrás del reborde de la base (Fig. 34).
5. Sujete el material antes de cortar. Corte el material lentamente, empleando un movimiento hacia fuera, abajo y hacia atrás. Si el material no está bien sujeto o si no se corta lentamente, se podría aflojar y provocar lesiones.

Después de que se hagan varios cortes en ángulos de inglete distintos de 0°, la plataforma se puede debilitar y no podría sustentar adecuadamente el trabajo. Instale una plataforma nueva, sin uso, a la sierra después de pre ajustar el ángulo de inglete deseado.

**⚠ATENCIÓN:** El uso continuado de una plataforma con varios cortes podría resultar en la pérdida del control del material y en posibles lesiones.

## MANTENIMIENTO

**⚠ADVERTENCIA:** Para disminuir el riesgo de lesiones corporales graves, apague la herramienta y extraiga las baterías o la fuente de alimentación con cable antes de transportar, realizar ajustes, limpiar, reparar o retirar/instalar accesorios. La puesta en marcha accidental puede causar lesiones.

**⚠ADVERTENCIA:** Para disminuir el riesgo de lesiones corporales graves, **NO toque con los dedos o las manos las puntas afiladas de la hoja mientras realice tareas de mantenimiento.**

NO use lubricantes o productos de limpieza (especialmente en spray o aerosol) cerca del protector de plástico. El material de policarbonato utilizado en el protector está sujeto a ataques por ciertas sustancias químicas.

- Todos los cojinetes están sellados. Están lubricados de por vida y no necesitan más mantenimiento.
- Limpie periódicamente el polvo y las astillas de madera de alrededor Y DEBAJO de la base y la mesa giratoria. Aunque se suministran ranuras para permitir que se salgan los residuos, se acumulará polvo.
- Las escobillas están diseñadas para funcionar durante varios años. Si necesitan ser reemplazadas, lleve la herramienta al centro de servicio más cercano para que sea reparada.

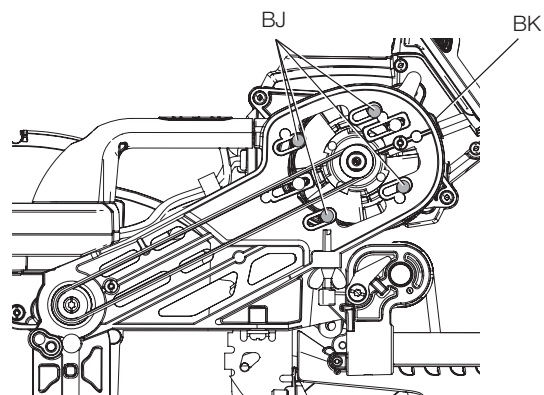
## Cómo extraer y cambiar la cinta (Fig. 4, 35)

La cinta está diseñada para durar toda la vida útil de la herramienta. Sin embargo, el maltrato de la herramienta puede ocasionar que la cinta falle.

Si la hoja no gira cuando el motor esté funcionando, la cinta ha fallado. Para inspeccionar o cambiar la cinta, retire los tornillos de la cubierta de la cinta. Retire la cubierta de la cinta. Inspeccione los bordes de la cinta para ver el desgaste o falla. Compruebe la tensión de la cinta apretándola. Las mitades de la cinta deberían casi tocarse cuando se apriete firmemente con el pulgar y el índice. Para ajustar la tensión, afloje, pero no retire, los cuatro tornillos de cabeza en cruz (BJ). Luego gire el tornillo de fijación (BK) en la parte superior de la placa del motor hasta que se logre la tensión adecuada. Apriete bien los cuatro tornillos y vuelva a colocar la cubierta de la cinta.

**AVISO:** Apretar demasiado la cinta podría causar una falla prematura del motor.

FIG. 35



## Limpieza

**⚠ADVERTENCIA:** Sople la suciedad y el polvo de todos los conductos de ventilación y mecanismos de protección (si corresponde) con aire limpio y seco al menos una vez por semana. Para minimizar el riesgo de lesiones oculares, siempre lleve protección ocular y respiratoria aprobada conforme a la norma ANSI Z87.1 al realizar esta tarea.

**⚠ADVERTENCIA:** Jamás use disolventes u otros productos químicos fuertes para limpiar las piezas no metálicas de la herramienta. Estos productos químicos pueden debilitar los materiales de plástico utilizados en estas piezas. Use un paño humedecido únicamente con agua y jabón suave. Jamás permita que le entre líquido alguno a la herramienta ni sumerja ninguna de sus piezas en un líquido.

### LIMPIEZA DE LA FUENTE DE ALIMENTACIÓN CON CABLE DEWALT

**⚠ADVERTENCIA:** Jamás use disolventes u otros productos químicos fuertes para limpiar las piezas no metálicas de la herramienta. Estos productos químicos pueden debilitar los materiales de plástico utilizados en estas piezas. Use un paño humedecido únicamente con agua y jabón suave. Jamás permita que le entre líquido alguno a la herramienta ni sumerja ninguna de sus piezas en un líquido.

### LIMPIEZA DEL RECEPTÁCULO DE LA FUENTE DE ALIMENTACIÓN CON CABLE

**⚠ADVERTENCIA:** Sople los residuos del receptáculo de la fuente de alimentación con cable (BF) con aire limpio y seco. Para minimizar el riesgo de lesiones oculares, siempre lleve protección ocular y respiratoria aprobada conforme a la norma ANSI Z87.1 al realizar esta tarea.

### LIMPIEZA DEL CONDUCTO DE EXTRACCIÓN DE POLVO

Dependiendo de su entorno de corte, el aserrín puede obstruir el conducto de extracción de polvo e impedir que el aserrín fluya adecuadamente lejos del área de corte. Con la batería o la fuente de alimentación con cable sacada y el cabezal de la sierra totalmente levantado, pueden usarse aire a baja presión o una varilla de pasador de diámetro grande para sacar el aserrín del conducto de extracción de polvo.

### LIMPIEZA DE LA LUZ DE TRABAJO LED CUTLINE™

Para obtener el mejor funcionamiento de la luz de trabajo, realice el siguiente mantenimiento regularmente con la batería o la fuente de alimentación con cable retiradas.

- Con una torunda de algodón, limpie minuciosamente el polvo y los residuos de la lente de la luz de trabajo.
- NO use disolventes de ningún tipo, ya que pueden dañar la lente.

- La acumulación de polvo puede obstruir la luz de trabajo e impedirle indicar con precisión la línea de corte.
- Siga el manual de instrucciones de la sierra ingleteadora para instalar y quitar la hoja.
- Habiendo quitado la hoja de la sierra, limpie el tizne y los depósitos de la hoja. El tizne y los residuos pueden interferir con la luz de trabajo e impedirle indicar con precisión la línea de corte.

## Accesorios

**⚠ADVERTENCIA:** Debido a que no se han probado con este producto otros accesorios que no sean los que ofrece DEWALT, el uso de dichos accesorios con esta herramienta podría ser peligroso. Para reducir el riesgo de lesiones, con este producto deben usarse sólo los accesorios recomendados por DEWALT.

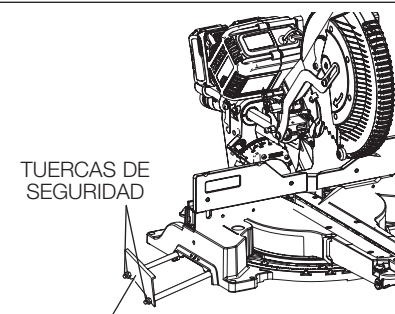
Los accesorios que se recomiendan para utilizar con la herramienta están disponibles a un costo adicional en su distribuidor local o en un centro de mantenimiento autorizado. Si necesita ayuda para localizar algún accesorio, póngase en contacto con DEWALT Industrial Tool Co., 701 East Joppa Road, Towson, MD 21286, llame al 1-800-4-DEWALT (1-800-433-9258) o visite nuestro sitio Web: [www.dewalt.com](http://www.dewalt.com).

### ACCESORIOS OPCIONALES

Los siguientes accesorios, diseñados para su sierra, pueden resultar útiles. En algunos casos, pueden resultar más apropiados otros soportes para piezas de trabajo, topes longitudinales, abrazaderas, etc. obtenidos localmente. Sea cuidadoso al seleccionar y utilizar los accesorios.

Soporte de extensión para piezas de trabajo: DW7080

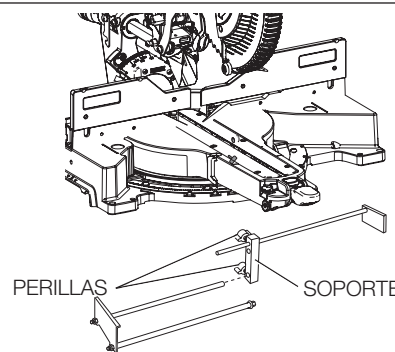
Se utiliza para apoyar piezas sobresalientes de gran longitud; el soporte para tarea es ensamblado por el usuario. Su base para la sierra está diseñada para aceptar dos soportes para tareas, uno a cada lado.



PLACA FINAL

Tope longitudinal regulable: DW7051

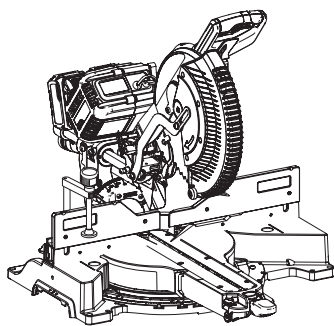
Requiere el uso de un soporte de extensión para piezas de trabajo (DW7080). Se utiliza para realizar cortes repetitivos de la misma longitud, de 0 cm a 107 cm (0" a 42").





Abrazadera:  
DW7082 (modelo  
similar incluido)

Se utiliza para sujetar firmemente la pieza de trabajo a la mesa de la sierra y así lograr cortes de precisión.



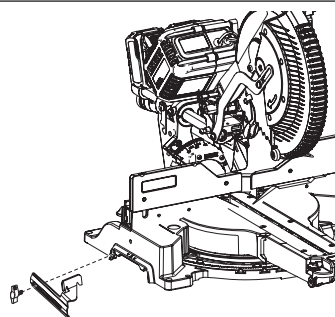
Bolsa para polvo:  
DW7053 (incluida en algunos modelos)

Equipada con cierre para permitir su práctico vaciado, la bolsa para polvo recoge la mayor parte del aserrín generado.



Reborde para molduras de corona: DW7084

Se utiliza para el corte preciso de molduras de corona.



**HOJAS DE SIERRA:** UTILICE SIEMPRE HOJAS DE SIERRA DE 305 mm (12") CON ORIFICIOS DE MANDRIL DE 25,4 mm (1") Ó 15,88 mm (5/8"). LA VELOCIDAD DEBE SER DE AL MENOS 4.800 rpm. Nunca use hojas de menor diámetro. No estarán adecuadamente protegidas. Sólo use hojas de corte transversal. No use hojas diseñadas para cortes longitudinales, hojas de combinación u hojas con ángulos de gancho superiores a 7°.

DESCRIPCIONES DE LAS HOJAS		
APLICACIÓN	DIÁMETRO	DIENTES
<b>HOJAS DE SIERRA PARA LA CONSTRUCCIÓN</b> <i>(ranura fina con borde antiadherente)</i>		
Propósito general	305 mm (12")	40
Excelentes cortes transversales	305 mm (12")	60
<b>HOJAS DE SIERRA PARA CARPINTERÍA</b> <i>(producen cortes limpios y parejos)</i>		
Excelentes cortes transversales	305 mm (12")	80
Metales no ferrosos	305 mm (12")	96

**NOTA:** Para el corte de metales no ferrosos, utilice sólo hojas de sierra con dientes TCG (Triple Chip Grind) diseñados para este propósito.

## Reparaciones

El cargador, la fuente de alimentación y la batería no pueden ser reparados. El cargador, la fuente de alimentación y la batería no contienen piezas reparables.

**⚠️ ADVERTENCIA:** Para asegurar la **SEGURIDAD** y la **CONFIABILIDAD** del producto, las reparaciones, el mantenimiento y los ajustes deben (inclusive inspección y cambio de carbones) ser realizados en un centro de mantenimiento en la fábrica DeWALT u en un centro de mantenimiento autorizado DeWALT. Utilice siempre piezas de repuesto idénticas.

### PARA REPARACIÓN Y SERVICIO DE SUS HERRAMIENTAS ELÉCTRICAS, FAVOR DE DIRIGIRSE AL CENTRO DE SERVICIO MÁS CERCANO

#### CULIACAN, SIN

Blvd. Emiliano Zapata 5400-1 Poniente  
Col. San Rafael

(667) 717 89 99

#### GUADALAJARA, JAL

Av. La Paz #1779 - Col. Americana Sector Juárez

(33) 3825 6978

#### MEXICO, D.F.

Eje Central Lázaro Cárdenas No. 18  
Local D, Col. Obrera

(55) 5588 9377

#### MERIDA, YUC

Calle 63 #459-A - Col. Centro

(999) 928 5038

#### MONTERREY, N.L.

Av. Francisco I. Madero 831 Poniente - Col. Centro

(818) 375 23 13

#### PUEBLA, PUE

17 Norte #205 - Col. Centro

(222) 246 3714

#### QUERETARO, QRO

Av. San Roque 274 - Col. San Gregorio

(442) 2 17 63 14

#### SAN LUIS POTOSI, SLP

Av. Universidad 1525 - Col. San Luis

(444) 814 2383

#### TORREON, COAH

Blvd. Independencia, 96 Pte. - Col. Centro

(871) 716 5265

#### VERACRUZ, VER

Prolongación Díaz Mirón #4280 - Col. Remes

(229) 921 7016

#### VILLAHERMOSA, TAB

Constitución 516-A - Col. Centro

(993) 312 5111

#### PARA OTRAS LOCALIDADES:

Si se encuentra en México, por favor llame al (55) 5326 7100

Si se encuentra en U.S., por favor llame al

1-800-433-9258 (1-800 4-DEWALT)

## Póliza de Garantía

IDENTIFICACIÓN DEL PRODUCTO:

Sello o firma del Distribuidor.

Nombre del producto: \_\_\_\_\_ Mod./Cat.: \_\_\_\_\_

Marca: \_\_\_\_\_ Núm. de serie: \_\_\_\_\_

(Datos para ser llenados por el distribuidor)

Fecha de compra y/o entrega del producto: \_\_\_\_\_

Nombre y domicilio del distribuidor donde se adquirió el producto: \_\_\_\_\_

Este producto está garantizado por un año a partir de la fecha de entrega, contra cualquier defecto en su funcionamiento, así como en materiales y mano de obra empleados para su fabricación. Nuestra garantía incluye la reparación o reposición del producto y/o componentes sin cargo alguno para el cliente, incluyendo mano de obra, así como los gastos de transportación razonablemente erogados derivados del cumplimiento de este certificado.

Para hacer efectiva esta garantía deberá presentar su herramienta y esta póliza sellada por el establecimiento comercial donde se adquirió el producto, de no contar con ésta, bastará la factura de compra.

## EXCEPCIONES

Esta garantía no será válida en los siguientes casos:

- Cuando el producto se hubiese utilizado en condiciones distintas a las normales;
- Cuando el producto no hubiese sido operado de acuerdo con el instructivo de uso que se acompaña;
- Cuando el producto hubiese sido alterado o reparado por personas distintas a las enlistadas al final de este certificado.

Anexo encontrará una relación de sucursales de servicio de fábrica, centros de servicio autorizados y franquiciados en la República Mexicana, donde podrá hacer efectiva su garantía y adquirir partes, refacciones y accesorios originales.

## Registro en línea

Gracias por su compra. Registre su producto ahora para:

- **SERVICIO EN GARANTÍA:** Si completa esta tarjeta, podrá obtener un servicio en garantía más eficiente, en caso de que exista un problema con su producto.
- **CONFIRMACIÓN DE PROPIEDAD:** En caso de una pérdida que cubra el seguro, como un incendio, una inundación o un robo, el registro de propiedad servirá como comprobante de compra.
- **PARA SU SEGURIDAD:** Si registra el producto, podremos comunicarnos con usted en el caso improbable que se deba enviar una notificación de seguridad conforme a la Federal Consumer Safety Act (Ley Federal de Seguridad de Productos para el Consumidor).

Registro en línea en [www.dewalt.com/register](http://www.dewalt.com/register).

## Garantía limitada por tres años

DEWALT reparará, sin cargo, cualquier falla que surja de defectos en el material o la fabricación del producto, por hasta tres años a contar de la fecha de compra. Esta garantía no cubre fallas de las piezas causadas por su desgaste normal o abuso a la herramienta. Para mayores detalles sobre la cobertura de la garantía e información acerca de reparaciones realizadas bajo garantía, visítenos en [www.dewalt.com](http://www.dewalt.com) o diríjase al centro de servicio más cercano. Esta garantía no aplica a accesorios o a daños causados por reparaciones realizadas o intentadas por terceros. Esta garantía le otorga derechos legales específicos, además de los cuales puede tener otros dependiendo del estado o la provincia en que se encuentre.

Además de la garantía, las herramientas DEWALT están cubiertas por:

### 1 AÑO DE SERVICIO GRATUITO

DEWALT mantendrá la herramienta y reemplazará las piezas gastadas por su uso normal, sin cobro, en cualquier momento durante un año a contar de la fecha de compra. Los artículos gastados por la clavadora, tales como la unidad de hoja y retorno del impulsador, no están cubiertas.

### 2 AÑOS DE SERVICIO GRATUITO PARA UNIDADES DE ALIMENTACIÓN DEWALT

DC9071, DC9091, DC9096, DC9182, DC9280, DC9360, DCB120, DCB127, DCB201, DCB203, DCB203BT, DCB207, DCB361

### 3 AÑOS DE SERVICIO GRATUITO PARA UNIDADES DE ALIMENTACIÓN DEWALT

DCB200, DCB204, DCB204BT, DCB205, DCB606

### UNIDADES DE BATERÍA DEWALT

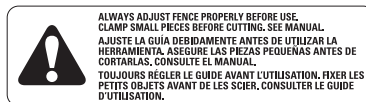
La garantía del producto quedará nula si la unidad de batería ha sido alterada de cualquier manera. DEWALT no es responsable de ninguna lesión causada por alteraciones y podrá iniciar un procedimiento judicial por fraude de garantía hasta el máximo grado permisible por la ley.

## GARANTÍA DE REEMBOLSO DE SU DINERO POR 90 DÍAS

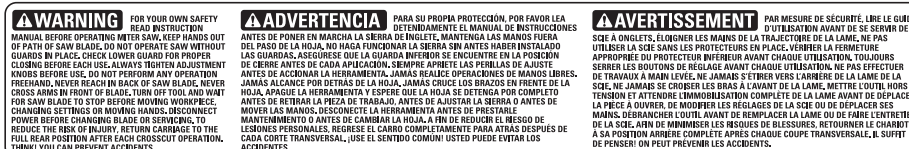
Si no está completamente satisfecho con el desempeño de su máquina herramienta, láser o clavadora DEWALT, cualquiera sea el motivo, podrá devolverlo hasta 90 días de la fecha de compra con su recibo y obtener el reembolso completo de su dinero – sin necesidad de responder a ninguna pregunta.

**AMÉRICA LATINA:** Esta garantía no se aplica a los productos que se venden en América Latina. Para los productos que se venden en América Latina, debe consultar la información de la garantía específica del país que viene en el empaque, llamar a la compañía local o visitar el sitio Web a fin de obtener esa información.

**REEMPLAZO GRATUITO DE LAS ETIQUETAS DE ADVERTENCIAS:** Si sus etiquetas de advertencia se vuelven ilegibles o faltan, llame al 1-800-433-9258 (1-800-4-DEWALT) para que se le reemplacen gratuitamente.



ALWAYS ADJUST FENCE PROPERLY BEFORE USE. CLAMP SMALL PIECES BEFORE CUTTING. SEE MANUAL.  
AJUSTE LA GUÍA DEBIDAMENTE ANTES DE UTILIZAR LA HERRAMIENTA. ASEGURE LAS PIEZAS PEQUEÑAS ANTES DE CORTARLAS. CONSULTE EL MANUAL.  
TOUJOURS RÉGLER LE GUIDE AVANT L'UTILISATION. FIXER LES PETITS OBJETS AVANT DE LES SCIER. CONSULTEZ LE GUIDE D'UTILISATION.



SOLAMENTE PARA PROPÓSITO DE MÉXICO:  
IMPORTADO POR: DEWALT S.A. DE C.V.  
BOSQUES DE CIDROS, ACCESO RADIATAS NO.42  
3A. SECCIÓN DE BOSQUES DE LAS LOMAS  
DELEGACIÓN CUAJIMALPA,  
05120, MÉXICO, D.F.  
TEL. (52) 555-326-7100  
R.F.C.: BDE810626-1W7

Para servicio y ventas consulte  
"HERRAMIENTAS ELÉCTRICAS"  
en la sección amarilla.



### ESPECIFICACIONES

#### DHS790

Tensión de alimentación :	120 V AC ~
Consumo de corriente :	15 A
Frecuencia de alimentación :	60 Hz
Potencia de entrada :	1 600W
Rotación sin carga:	3 800/min

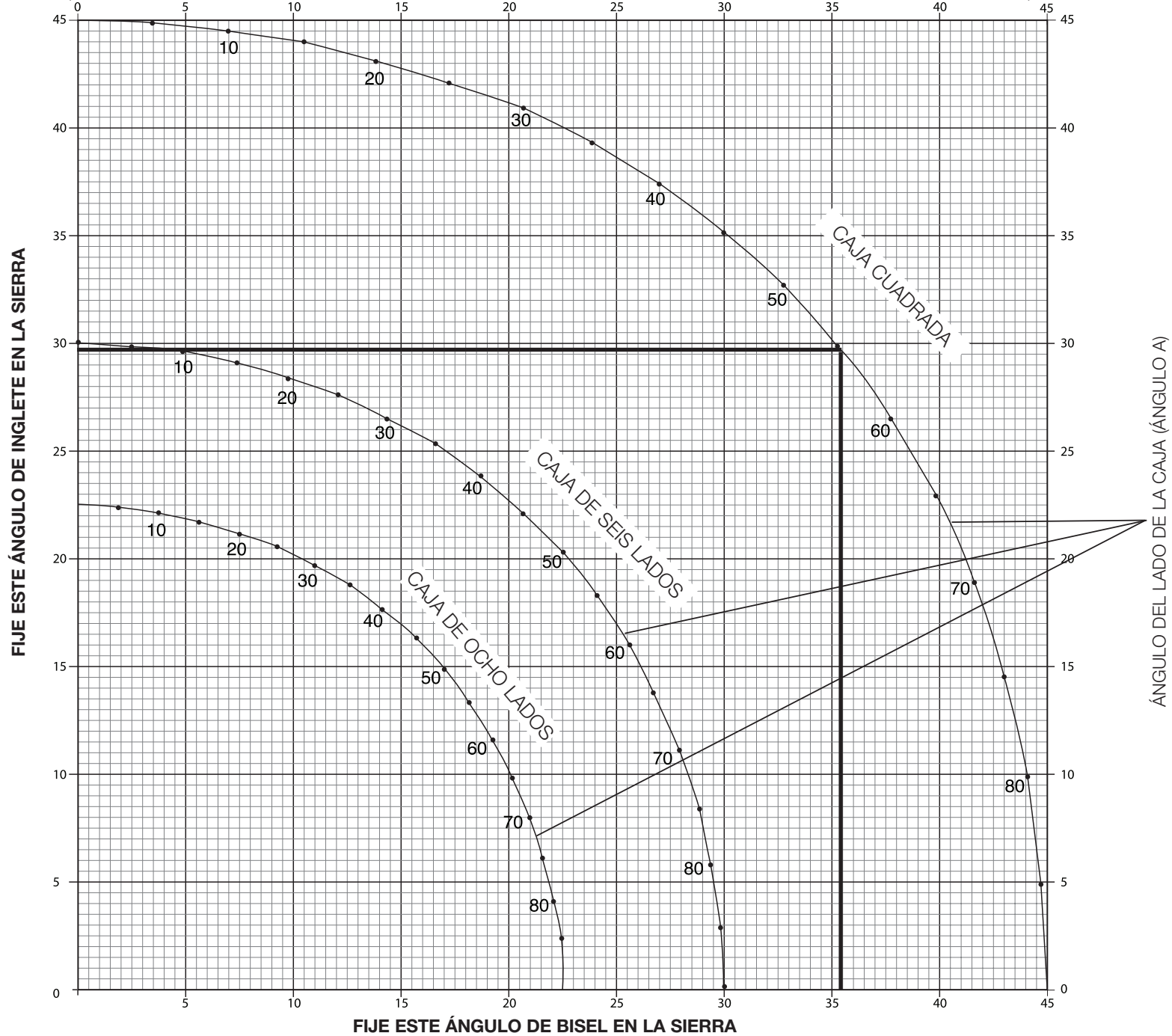
**Guía para solucionar problemas**  
**ASEGÚRESE DE SEGUIR LAS REGLAS E INSTRUCCIONES DE SEGURIDAD**

<b>PROBLEMA</b>	<b>¿QUÉ SUCEDE?</b>	<b>QUÉ HACER...</b>
<b>La sierra no se enciende</b>	1. La batería o la fuente de alimentación no están instaladas	1. Instale la batería o fuente de alimentación. Consulte <b>Instalación y extracción de las baterías</b> o <b>Instalación y extracción de la fuente de alimentación con cable DEWALT</b> .
	2. La batería o la fuente de alimentación no están bien insertadas.	2. Compruebe que la batería o la fuente de alimentación estén totalmente aseguradas. Compruebe el enchufe adaptador de CA en la carcasa del motor para ver si tiene residuos. Consulte las <b>Instrucciones de limpieza de la fuente de alimentación con cable DEWALT</b> .
	3. Las baterías no están cargadas	3. Cargue las baterías. Consulte la sección <b>Procedimiento de carga</b> .
	4. La fuente de alimentación no está enchufada	4. Enchufe la sierra.
	5. Cable dañado	5. Lleve el cable a un centro de servicio autorizado para que sean reemplazado.
	6. Se saltó el fusible o se accionó el interruptor de circuito	6. Cambie el fusible o reposicione el interruptor de circuito.
	7. La sierra se ha calentado en exceso	7. Espere varios minutos hasta que se enfríe la sierra.
	8. Las baterías se han calentado en exceso	8. Espere varios minutos hasta que se enfríen las baterías.
<b>La sierra realiza cortes no satisfactorios</b>	1. Hoja sin filo	1. Reemplace la hoja. Consulte <b>Cambio o instalación de una hoja de sierra nueva</b> .
	2. Hoja montada al revés	2. Vire la hoja. Consulte <b>Cambio o instalación de una hoja de sierra nueva</b> .
	3. Depósitos de goma o grumos de resina sobre la hoja	3. Retire la hoja y límpiela con lana de acero gruesa y trementina, o limpiador de hornos caseros.
	4. Hoja incorrecta para el trabajo que se realiza	4. Cambie el tipo de hoja. Consulte <b>Hojas de sierra</b> en <b>Accesorios opcionales</b> .
<b>La hoja no alcanza velocidad</b>	1. Cable prolongador demasiado liviano o demasiado largo	1. Reemplácelo por un cable de tamaño adecuado. Consulte <b>Calibre mínimo para juegos de cables</b> en <b>Instrucciones de seguridad importantes</b> .
	2. Baja corriente en el hogar	2. Comuníquese con la empresa de energía eléctrica.
<b>La máquina vibra excesivamente</b>	1. La sierra no está montada firmemente en el soporte o banco de trabajo	1. Apriete todos los tornillos de montaje. Consulte <b>Montaje en el banco de trabajo</b> .
	2. El soporte o el banco están sobre un piso desparejo	2. Reubique sobre una superficie de nivel plano. Consulte <b>Familiarizarse con la herramienta</b> .
	3. Hoja de sierra dañada	3. Reemplace la hoja. Consulte <b>Cambio o instalación de una hoja de sierra nueva</b> .
<b>No realiza cortes de inglete precisos</b>	1. La escala de inglete no está correctamente regulada	1. Verifique y regule. Consulte las <b>Ajuste de la escala de inglete</b> en <b>Ajustes</b> .
	2. La hoja no está en escuadra con el reborde	2. Verifique y regule. Consulte las <b>Ajuste de la escala de inglete</b> en <b>Ajustes</b> .
	3. La hoja no está perpendicular a la mesa	3. Verifique y ajuste el reborde. Consulte las <b>Ajuste de reborde</b> en <b>Ajustes</b> .
	4. La pieza de trabajo se mueve	4. Sujete la pieza de trabajo al reborde o engome un papel de lija de 120 al reborde con cemento para caucho.
<b>El material muerde la hoja</b>	1. Cortes de material curvado	1. Consulte las <b>Material curvado</b> en <b>Cortes especiales</b> .
<b>La luz de trabajo CUTLINE™ está parpadeando</b>	1. La batería está baja de carga	1. Cargue las baterías. Consulte la sección <b>Carga de la batería</b> .
	2. La batería está caliente	2. Espere varios minutos hasta que se enfríen las baterías.



**TABLA 1: CORTE DE INGLETE COMPUESTO**

(UBIQUE LA MADERA CON EL LADO PLANO ANCHO SOBRE LA MESA Y EL BORDE ANGOSTO CONTRA EL REBORDE)





**DEWALT BATTERY AND CHARGER SYSTEMS**  
**CHARGERS/CHARGE TIME (MINUTES)**  
**CHARGEURS/DURÉE DE CHARGE (MINUTES)**  
**CARGADORES DE BATERÍAS/TIEMPO DE CARGA (MINUTOS)**

Battery Cat #	Output Voltage	120 Volts														12 Volts	
		DC9000	DC9310	DC9320	DC8095	DCB101	DCB102	DCB103	DCB107	DCB112	DCB113	DCB114	DCB115	DCB118	DCB132	DCB119	DW0249
DCB606	60/20	X	X	X	X	100	100	100	272	170	140	X	90	60	90	X	X
DCB404	40	X	X	X	X	X	X	X	X	X	X	90	X	X	X	X	X
DCB406	40	X	X	X	X	X	X	X	X	X	X	130	X	X	X	X	X
DC9360	36	45	X	X	X	X	X	X	X	X	X	X	X	X	X	X	X
DCB361	36	45	X	X	X	X	X	X	X	X	X	X	X	X	X	X	X
DC9280	28	60	X	X	X	X	X	X	X	X	X	X	X	X	X	X	X
DW0242	24	X	X	X	X	X	X	X	X	X	X	X	X	X	X	X	60
DCB200	20	X	X	X	X	60	60	60	140	90	67	X	45	45/30**	45	90	X
DCB201	20	X	X	X	X	30	30	30	70	45	35	X	22	22	22	45	X
DCB203	20	X	X	X	X	35	35	35	90	60	45	X	30	30	30	60	X
DCB203BT*	20	X	X	X	X	35	35	35	90	60	45	X	30	30	30	60	X
DCB204	20	X	X	X	X	70	70	70	185	120	90	X	60	60/40**	60	120	X
DCB204BT*	20	X	X	X	X	70	70	70	185	120	90	X	60	60	60	120	X
DCB205	20	X	X	X	X	95	95	95	240	150	112	X	75	75/47**	75	150	X
DCB207	20	X	X	X	X	30	30	30	60	40	30	X	22	22	22	X	X
DC9182	18	X	40	40	X	X	X	40	X	X	X	X	X	X	X	X	40
DCB120	12	X	X	X	X	30	30	30	60	45	35	X	20	X	X	45	X
DCB127	12	X	X	X	X	35	35	35	90	60	50	X	30	X	X	60	X
DCB080	8	X	X	X	60	X	X	X	X	X	X	X	X	X	X	X	X

\*BT - Bluetooth® **NOTE:** The Bluetooth® word mark and logos are registered trademarks owned by the Bluetooth®, SIG, Inc. and any use of such marks by DEWALT is under license. Other trademarks and trade names are those of their respective owners.

\*\*Battery Datecode 201536 or later.

"X" Indicates that the battery pack is not compatible with that specific charger. All charge times are approximate. Actual charge time may vary. Read the instruction manual for more specific information.

"X" indique que le bloc-piles n'est pas compatible avec ce chargeur. Les durées de charge sont approximatives; la durée de charge réelle peut varier. Lire le manuel d'utilisation pour obtenir des renseignements plus précis. Una "X" indica que el paquete de baterías no es compatible con ese determinado cargador. El tiempo de duración de carga es aproximado; la duración de carga real puede variar. Lea el manual de instrucciones para obtener información más precisa.

\* Maximum initial battery voltage (measured without a workload) is 20, 60 or 120 volts. Nominal voltage is 18, 54 or 108. (120V Max\* is based on using 2 DEWALT 60V Max\* lithium-ion batteries combined.)

\* La tension initiale maximum du bloc-piles (mesurée à vide) est de 20, 60 ou 120 volts. La tension nominale est de 18, 54 ou 108. (120 V Max\* se base sur l'utilisation combinée de 2 blocs-piles au lithium ion DEWALT de 60 V Max\*).

\* El máximo voltaje inicial de la batería (medido sin carga de trabajo) es 20, 60 o 120 voltios. El voltaje nominal es de 18, 54 o 108. (120 V Máx\* se basan en el uso de 2 baterías de iones de litio DEWALT de 60 V Máx\* combinadas).

DEWALT Industrial Tool Co., 701 East Joppa Road, Towson, MD 21286  
(MAY16) Part No. N463973 DHS790 Copyright © 2016 DEWALT

The following are trademarks for one or more DEWALT power tools: the yellow and black color scheme; the "D" shaped air intake grill; the array of pyramids on the handgrip; the kit box configuration; and the array of lozenge-shaped humps on the surface of the tool.