

DEWALT®



**Instruction Manual
Guide D'utilisation
Manual de instrucciones**

DCV585

60V Max* FLEXVOLT™ HEPA Dust Extractor

Extracteur de poussière HEPA FLEXVOLT™ 60 V max*

Extractor de Polvo FLEXVOLT™ HEPA 60 V Máx*

www.DEWALT.com

**If you have questions or comments, contact us.
Pour toute question ou tout commentaire, nous contacter.
Si tiene dudas o comentarios, contáctenos.**

1-800-4-DEWALT

English (**original instructions**)

1

Français (*traduction de la notice d'instructions originale*)





15

Español (*traducido de las instrucciones originales*)

33

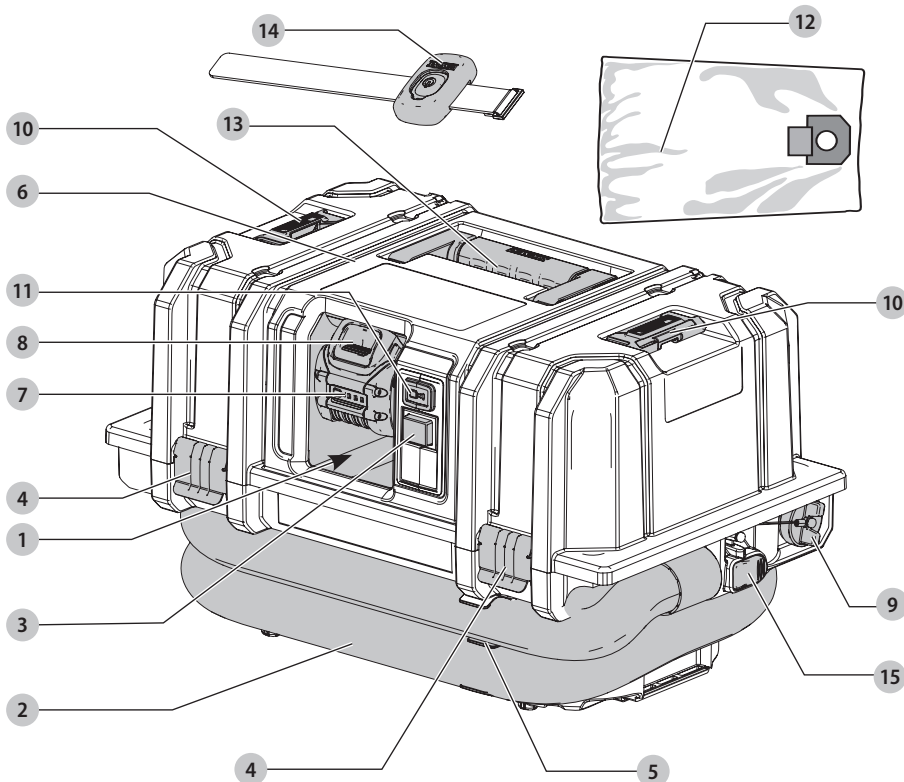
Definitions: Safety Alert Symbols and Words

This instruction manual uses the following safety alert symbols and words to alert you to hazardous situations and your risk of personal injury or property damage.

-  **DANGER:** Indicates an imminently hazardous situation which, if not avoided, **will** result in **death or serious injury**.
-  **WARNING:** Indicates a potentially hazardous situation which, if not avoided, **could** result in **death or serious injury**.
-  **CAUTION:** Indicates a potentially hazardous situation which, if not avoided, **may** result in **minor or moderate injury**.
-  (Used without word) Indicates a safety related message.


NOTICE: Indicates a practice **not related to personal injury** which, if not avoided, **may** result in **property damage**.

Fig. A




COMPONENTS

- | | |
|--|--|
| 1 Battery port | 9 Hose inlet plug |
| 2 Dust extractor hose | 10 TSTAK® Stacking latch |
| 3 Three position switch | 11 Wireless Tool Control™ pairing button |
| 4 Tank latch | 12 Fleece bag |
| 5 Hose clip | 13 Handle |
| 6 Dust extractor head | 14 Wireless Tool Control™ remote |
| 7 Battery pack (not included in the DCV585B) | 15 Hose release latch |
| 8 Battery release button | |

 **WARNING:** Read all safety warnings and all instructions. Failure to follow the warnings and instructions may result in electric shock, fire and/or serious injury.

 **WARNING:** Never modify the power tool or any part of it. Damage or personal injury could result.

 **WARNING:** To reduce the risk of injury, read the instruction manual.

If you have any questions or comments about this or any DeWALT tool, call us toll free at: 1-800-4-DeWALT (1-800-433-9258).

60V Max* FLEXVOLT™ HEPA Dust Extractor DCV585

IMPORTANT SAFETY INSTRUCTIONS

READ ALL INSTRUCTIONS BEFORE USING THIS APPLIANCE

When using this appliance, basic safety precautions should always be followed including the following:

- ⚠ WARNING:** To reduce the risk of fire, electric shock and injury:
- **Do not leave the appliance unattended when connected to power source.** Remove the battery pack when not in use and before servicing.
 - **Do not expose to rain.** Store indoors.
 - **Do not allow appliance to be used as a toy.** Close attention is necessary when used by or near children.
 - **Use this appliance ONLY as described in the manual.** Use only recommended attachments.
 - **Do not use this appliance if it is showing signs of malfunction in any way.** If the appliance is not working correctly, has been dropped, damaged, left outdoors, or dropped into water, return it to a service center.
 - Do not handle the appliance with wet hands.
 - **Do not put any objects into the openings of the appliance.** Do not use the appliance with any opening blocked; keep free of dust, lint, hair and anything else that may reduce air flow.
 - Keep hair, loose clothing, fingers, and all body parts away from the openings and moving parts.
 - Turn off all controls before disconnecting from power source.
 - Use extra care when cleaning on stairs.

SAVETHESEINSTRUCTIONS

Additional Safety Warnings

- a) **Prevent unintentional starting.** Ensure the switch is in the off-position before connecting to battery pack, picking up or carrying the appliance. Carrying the appliance with your finger on the switch or energizing appliances that have the switch on invites accidents.
- b) **Disconnect the battery pack from the appliance before making any adjustments, changing accessories, or storing appliance.** Such preventive safety measures reduce the risk of starting the appliance accidentally.
- c) **Recharge only with the charger specified by the manufacturer.** A charger that is suitable for one type

of battery pack may create a risk of fire when used with another battery pack.

- d) **Use appliances only with specifically designated battery packs.** Use of any other battery packs may create a risk of injury and fire.
- e) **When battery pack is not in use, keep it away from other metal objects, like paper clips, coins, keys, nails, screws or other small metal objects, that can make a connection from one terminal to another.** Shorting the battery terminals together may cause burns or a fire.
- f) **Under abusive conditions, liquid may be ejected from the battery; avoid contact. If contact accidentally occurs, flush with water. If liquid contacts eyes, additionally seek medical help.** Liquid ejected from the battery may cause irritation or burns.
- g) **Do not use a battery pack or appliance that is damaged or modified.** Damaged or modified batteries may exhibit unpredictable behavior resulting in fire, explosion or risk of injury.
- h) **Do not expose a battery pack or appliance to fire or excessive temperature.** Exposure to fire or temperature above 130° C may cause explosion. The temperature of 130° C can be replaced by the temperature of 265° F.
- i) **Have servicing performed by a qualified repair person using only identical replacement parts.** This will ensure that the safety of the product is maintained.

SAVETHESEINSTRUCTIONS

Specific Safety Rules for Dust Extractors

- ⚠ WARNING:** To reduce the risk of fire, electric shock and injury:
- Do not pick up anything that is burning or smoking, such as cigarettes, matches or hot ashes.
 - Do not use without filter in place.

Supplemental Safety Warnings for Dust Extractors


- This dust extractor meets the EPA lead-related Renovations, Repair and Painting (RRP) Rule for HEPA vacuum only when used with the two DCS151H HEPA Filters. (included with DCV585).
- Contact the United States Environmental Protection Agency (EPA) for more information on their Renovations, Repair and Painting (RRP) Rule.
- This dust extractor is approved for use in OSHA Silica 1926.1153 dust collection applications when properly utilized per the OSHA 1926.1153 ruling.

- Do not use to vacuum combustible explosive materials, such as coal, grain, or other finely divided combustible material.
- Do not use to vacuum hazardous, toxic or carcinogenic materials, such as asbestos or pesticide, unless the vacuuming of the material is specifically identified in this instruction manual as an approved use.
- Never pick up explosive liquids (e.g. gasoline, diesel fuel, heating oil, paint thinner, etc.), acids or solvents.
- Static shocks are possible in dry areas or when the relative humidity of the air is low. This is only temporary and does not affect the use of the dust extractor.
- To avoid spontaneous combustion, empty the canister after every use.
- Some wood contains preservatives which can be toxic. Take extra care to prevent inhalation and skin contact when working with these materials. Request and follow any safety information available from your material supplier.
- **NEVER STAND OR SIT ON DUST EXTRACTOR.** Serious injury could occur if the dust extractor is tipped.
- When using with a manufacturer approved cart or trolley use caution when moving to avoid tip-over.
- When stacking, always place the dust extractor on the bottom.
- The handle is for transport only.
- Lift and carry the dust extractor by the handle only. If mounted on a manufacturer approved cart or trolley, transport using the cart or trolley handle only.

Additional Safety Information

 **WARNING: ALWAYS** use safety glasses. Everyday eyeglasses are NOT safety glasses. Also use face or dust mask if cutting operation is dusty. **ALWAYS WEAR CERTIFIED SAFETY EQUIPMENT:**




- ANSI Z87.1 eye protection (CAN/CSA Z94.3),
- ANSI S12.6 (S3.19) hearing protection,
- NIOSH/OSHA/MSHA respiratory protection.

 **WARNING:** Some dust created by power sanding, sawing, grinding, drilling, and other construction activities contains chemicals known to the State of California to cause cancer, birth defects or other reproductive harm. Some examples of these chemicals are:




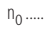
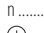









- lead from lead-based paints,
- crystalline silica from bricks and cement and other masonry products, and
- arsenic and chromium from chemically-treated lumber.

Your risk from these exposures varies, depending on how often you do this type of work. To reduce your exposure to these chemicals: work in a well ventilated area, and work with approved safety equipment, such as those dust masks that are specially designed to filter out microscopic particles.

- **Avoid prolonged contact with dust from power sanding, sawing, grinding, drilling, and other construction activities. Wear protective clothing and wash exposed areas with soap and water.** Allowing dust to get into your mouth, eyes, or lay on the skin may promote absorption of harmful chemicals.

-  **WARNING:** Use of this tool can generate and/or disperse dust, which may cause serious and permanent respiratory or other injury. Always use NIOSH/OSHA approved respiratory protection appropriate for the dust exposure. Direct particles away from face and body.
-  **WARNING: Always wear proper personal hearing protection that conforms to ANSI S12.6 (S3.19) during use.** Under some conditions and duration of use, noise from this product may contribute to hearing loss.
-  **CAUTION:** When not in use, place tool on a stable surface where it will not cause a tripping or falling hazard.
- **Air vents often cover moving parts and should be avoided.** Loose clothes, jewelry or long hair can be caught in moving parts.

The label on your tool may include the following symbols. The symbols and their definitions are as follows:


V	volts		or AC/DC... alternating or direct current
Hz	hertz		Class II Construction (double insulated)
min	minutes		Class I Construction (grounded)
— — — or DC.....	direct current		n ₀ no load speed
Ⓜ	Class I Construction (grounded)		n..... rated speed
... /min.....	per minute		Ⓧ..... earthing terminal
BPM.....	beats per minute		⚠..... safety alert symbol
IPM.....	impacts per minute		⚠..... visible radiation
RPM.....	revolutions per minute		⚠..... avoid staring at light
sfpn.....	surface feet per minute		Ⓜ..... wear respiratory protection
SPM.....	strokes per minute		Ⓧ..... wear eye protection
OPM.....	oscillations per minute		Ⓧ..... wear hearing protection
A.....	amperes		Ⓧ..... read all documentation
W.....	watts		IPXX..... IP symbol
~ or AC.....	alternating current		


BATTERIES AND CHARGERS


The battery pack is not fully charged out of the carton. Before using the battery pack and charger, read the safety instructions below and then follow charging procedures outlined. When ordering replacement battery packs, be sure to include the catalog number and voltage.

READ ALL INSTRUCTIONS

Important Safety Instructions for All Battery Packs

-  **WARNING:** Read all safety warnings, instructions, and cautionary markings for the battery pack, charger and product. Failure to follow the warnings and instructions may result in electric shock, fire and/or serious injury.
- Do not charge or use the battery pack in explosive atmospheres, such as in the presence of flammable liquids, gases or dust. Inserting or removing the battery pack from the charger may ignite the dust or fumes.
- When battery pack is not in use, keep it away from other metal objects, like paper clips, coins, keys, nails, screws, or other small metal objects, that can make a connection from one terminal to another. Shorting the battery terminals together may cause burns or a fire.
- NEVER force the battery pack into the charger. DO NOT modify the battery pack in any way to fit into a non-compatible charger as battery pack may rupture causing serious personal injury. Consult the chart at the end of this manual for compatibility of batteries and chargers.
- Charge the battery packs only in DEWALT chargers.
- DO NOT splash or immerse in water or other liquids.
- Do not store or use the tool and battery pack in locations where the temperature may reach or exceed 104 °F (40 °C) (such as outside sheds or metal buildings in summer). For best life store battery packs in a cool, dry location.
- NOTE: Do not store the battery packs in a tool with the trigger switch locked on. Never tape the trigger switch in the ON position.
- Do not incinerate the battery pack even if it is severely damaged or is completely worn out. The battery pack can explode in a fire. Toxic fumes and materials are created when lithium-ion battery packs are burned.
- If battery contents come into contact with the skin, immediately wash area with mild soap and water. If battery liquid gets into the eye, rinse water over the open eye for 15 minutes or until irritation ceases. If medical attention is needed, the battery electrolyte is composed of a mixture of liquid organic carbonates and lithium salts.
- Contents of opened battery cells may cause respiratory irritation. Provide fresh air. If symptoms persist, seek medical attention.

 **WARNING:** Burn hazard. Battery liquid may be flammable if exposed to spark or flame.

 **WARNING:** Fire hazard. Never attempt to open the battery pack for any reason. If the battery pack case is cracked or damaged, do not insert into the charger. Do not crush, drop or damage the battery pack. Do not use a battery pack or charger that has received a sharp blow, been dropped, run over or damaged in

any way (e.g., pierced with a nail, hit with a hammer, stepped on). Damaged battery packs should be returned to the service center for recycling.

Storage Recommendations

1. The best storage place is one that is cool and dry, away from direct sunlight and excess heat or cold.
2. For long storage, it is recommended to store a fully charged battery pack in a cool dry place out of the charger for optimal results.

NOTE: Battery packs should not be stored completely depleted of charge. The battery pack will need to be recharged before use.

Battery Pack Cleaning Instructions

1. Dirt and grease may be removed from the exterior of the battery using a cloth or soft non-metallic brush. Do not use water or any cleaning solutions.

The RBRC® Seal

The RBRC® (Rechargeable Battery Recycling Corporation) Seal on the nickel cadmium, nickel metal hydride or lithium-ion batteries (or battery packs) indicates that the costs to recycle these batteries (or battery packs) at the end of their useful life have already been paid by DEWALT. In some areas, it is illegal to place spent nickel cadmium, nickel metal hydride or lithium-ion batteries in the trash or municipal solid waste stream and the Call 2 Recycle® program provides an environmentally conscious alternative.

Call 2 Recycle, Inc., in cooperation with DEWALT and other battery users, has established the program in the United States and Canada to facilitate the collection of spent nickel cadmium, nickel metal hydride or lithium-ion batteries. Help protect our environment and conserve natural resources by returning the spent nickel cadmium, nickel metal hydride or lithium-ion batteries to an authorized DEWALT service center or to your local retailer for recycling. You may also contact your local recycling center for information on where to drop off the spent battery. RBRC® is a registered trademark of Call 2 Recycle, Inc.



Fuel Gauge Battery Packs (Fig. B)

Some DEWALT battery packs include a fuel gauge which consists of three green LED lights that indicate the level of charge remaining in the battery pack.

The fuel gauge is an indication of approximate levels of charge remaining in the battery pack according to the following indicators:

 75–100% charged

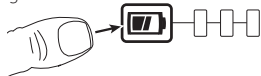
 51–74% charged

 < 50% charged

 Pack needs to be charged

To actuate the fuel gauge, press and hold the fuel gauge button. A combination of the three green LED lights will illuminate designating the level of charge left. When the level of charge in the battery is below the usable limit, the fuel gauge will not illuminate and the battery will need to be recharged.

Fig. B



NOTE: The fuel gauge is only an indication of the charge left on the battery pack. It does not indicate tool functionality and is subject to variation based on product components, temperature and end-user application.

For more information regarding fuel gauge battery packs, please contact 1-800-4-DEWALT (1-800-433-9258) or visit our website www.dewalt.com

Transportation



WARNING: Fire hazard. Do not store or carry the battery pack so that metal objects can contact exposed battery terminals. For example, do not place the battery pack in aprons, pockets, tool boxes, product kit boxes, drawers, etc., with loose nails, screws, keys, etc. **Transporting batteries can possibly cause fires if the battery terminals inadvertently come in contact with conductive materials such as keys, coins, hand tools and the like.** The US Department of Transportation Hazardous Material Regulations (HMR) actually prohibit transporting batteries in commerce or on airplanes in carry-on baggage UNLESS they are properly protected from short circuits. So when transporting individual battery packs, make sure that the battery terminals are protected and well insulated from materials that could contact them and cause a short circuit.

NOTE: LI-ION batteries should not be put in checked baggage.

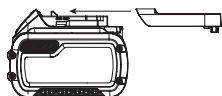
Shipping the DEWALT FLEXVOLT™ Battery

The DEWALT FLEXVOLT™ battery has two modes: **Use** and **Shipping**.

Use Mode: When the FLEXVOLT™ battery stands alone or is in a DEWALT 20V Max* product, it will operate as a 20V Max* battery. When the FLEXVOLT™ battery is in a 60V Max* or a 120V Max* (two 60V Max* batteries) product, it will operate as a 60V Max* battery.

Shipping Mode: When the cap is attached to the FLEXVOLT™ battery, the battery is in Shipping Mode.

Strings of cells are electrically disconnected within the pack resulting in three batteries with a lower Watt hour (Wh) rating as compared to one battery with a higher Watt hour rating. This increased quantity of three batteries with the lower Watt hour rating can exempt the pack from certain shipping regulations that are imposed upon the higher Watt hour batteries.



The battery label indicates two Watt hour ratings (see example). Depending on how the battery is shipped, the appropriate Watt hour rating must be used to determine the applicable shipping requirements. If utilizing the shipping cap, the pack will be considered 3 batteries at the Watt hour rating indicated for "Shipping". If shipping without the cap or in a tool, the pack will be considered one battery at the Watt hour rating indicated next to "Use".

Example of Use and Shipping Label Marking

USE: 120 Wh Shipping: 3 x 40 Wh

For example, Shipping Wh rating might indicate 3 x 40 Wh, meaning 3 batteries of 40 Watt hours each. The Use Wh rating might indicate 120 Wh (1 battery implied).

Important Safety Instructions for All Battery Chargers




WARNING: Read all safety warnings, instructions, and cautionary markings for the battery pack, charger and product. Failure to follow the warnings and instructions may result in electric shock, fire and/or serious injury.


- **DO NOT attempt to charge the battery pack with any chargers other than a DEWALT charger.** DEWALT charger and battery pack are specifically designed to work together.
- **These chargers are not intended for any uses other than charging DEWALT rechargeable batteries.** Any other uses may result in risk of fire, electric shock or electrocution.
- **Do not expose the charger to rain or snow.**
- **Pull by the plug rather than the cord when disconnecting the charger.** This will reduce the risk of damage to the electric plug and cord.
- **Make sure that the cord is located so that it will not be stepped on, tripped over or otherwise subjected to damage or stress.**
- **Do not use an extension cord unless it is absolutely necessary.** Use of improper extension cord could result in risk of fire, electric shock or electrocution.
- **When operating a charger outdoors, always provide a dry location and use an extension cord suitable for outdoor use.** Use of a cord suitable for outdoor use reduces the risk of electric shock.
- **An extension cord must have adequate wire size (AWG or American Wire Gauge) for safety.** The smaller the gauge number of the wire, the greater the capacity of the cable, that is, 16 gauge has more capacity than 18 gauge. An undersized cord will cause a drop in line voltage resulting in loss of power and overheating. When using more than one extension to make up the total length, be sure each individual extension contains at least the minimum wire size. The following table shows the correct size to use depending on cord length and nameplate ampere rating. If in doubt, use the next heavier gauge. The lower the gauge number, the heavier the cord.


Minimum Gauge for Cord Sets


Volts	Total Length of Cord in Feet (meters)					
	120 V	25 (7.6)	50 (15.2)	100 (30.5)	150 (45.7)	
240 V	50 (15.2)	100 (30.5)	200 (61.0)	300 (91.4)		
Ampere Rating		American Wire Gauge				
More Than	Not More Than					
0	6	18	16	16	14	
6	10	18	16	14	12	
10	12	16	16	14	12	
12	16	14	12	Not Recommended		

- **Do not place any object on top of the charger** *place the charger on a soft surface that might block the ventilation slots and result in excessive internal heat.* Place the charger in a position away from any heat source. The charger is ventilated through slots in the top and the bottom of the housing.
- **Do not operate the charger with a damaged cord or plug**—have them replaced immediately.
- **Do not operate the charger if it has received a sharp blow, been dropped or otherwise damaged in any way.** Take it to an authorized service center.
- **Do not disassemble the charger; take it to an authorized service center when service or repair is required.** Incorrect reassembly may result in a risk of electric shock, electrocution or fire.
- **Disconnect the charger from the outlet before attempting any cleaning.** This will reduce the risk of electric shock. Removing the battery pack will not reduce this risk.
- **NEVER attempt to connect 2 chargers together.**
- **The charger is designed to operate on standard 120V household electrical power. Do not attempt to use it on any other voltage.** This does not apply to the vehicular charger.

 **WARNING:** Shock hazard. Do not allow any liquid to get inside the charger. Electric shock may result.

 **WARNING:** Burn hazard. Do not submerge the battery pack in any liquid or allow any liquid to enter the battery pack. Never attempt to open the battery pack for any reason. If the plastic housing of the battery pack breaks or cracks, return to a service center for recycling.

 **CAUTION:** Burn hazard. To reduce the risk of injury, charge only DeWALT rechargeable battery packs. Other types of batteries may overheat and burst resulting in personal injury and property damage.

 **CAUTION:** Under certain conditions, with the charger plugged into the power supply, the charger can be shorted by foreign material. Foreign materials of a conductive nature, such as, but not limited to, grinding dust, metal chips, steel wool, aluminum foil or any buildup of metallic particles should be kept away from the charger cavities. Always unplug the charger from the power supply when there is no







battery pack in the cavity. Unplug the charger before attempting to clean.

Charging a Battery

NOTE: To ensure maximum performance and life of lithium-ion battery packs, charge the battery pack fully before first use.

1. Plug the charger into an appropriate outlet before inserting battery pack.
2. Connect the charger and battery pack, making sure the battery is fully seated. The (charging) light will blink continuously indicating that the charging process has started.
3. The completion of charge will be indicated by the light remaining ON continuously. The battery pack is fully charged and may be removed and used at this time or left in the charger.

NOTE: To remove the battery pack, some chargers require the battery pack release button to be pressed.

Indicators		
	Charging	
	Fully Charged	
	Hot/Cold Pack Delay*	

*The red light will continue to blink, but a yellow indicator light will be illuminated during this operation. Once the battery pack has reached an appropriate temperature, the yellow light will turn off and the charger will resume the charging procedure.

A charger will not charge a faulty battery pack. The charger refusing to light could indicate a problem with the charger or a faulty battery pack.

NOTE: If the charger refuses to light, take the charger and battery pack to be tested at an authorized service center.

Hot/Cold Pack Delay

When the charger detects a battery pack that is too hot or too cold, it automatically starts a Hot/Cold Pack Delay, suspending charging until the battery pack has reached an appropriate temperature. The charger then automatically switches to the pack charging mode. This feature ensures maximum battery pack life.

A cold battery pack may charge at a slower rate than a warm battery pack.

The DCB118 charger is equipped with an internal fan designed to cool the battery pack. The fan will turn on automatically when the battery pack needs to be cooled. Never operate the charger if the fan does not operate properly or if ventilation slots are blocked. Do not permit foreign objects to enter the interior of the charger.

Electronic Protection System


Li-Ion tools are designed with an Electronic Protection System that will protect the battery pack against overloading, overheating or deep discharge.

The tool will automatically turn off if the Electronic Protection System engages. If this occurs, place the lithium-ion battery pack on the charger until it is fully charged.

Important Charging Notes

- Longest life and best performance can be obtained if the battery pack is charged when the air temperature is between 65 °F – 75 °F (18 ° – 24 °C). DO NOT charge when the battery pack is below +40 °F (+4.5 °C), or above +104 °F (+40 °C). This is important and will prevent serious damage to the battery pack.
- The charger and battery pack may become warm to the touch while charging. This is a normal condition, and does not indicate a problem. To facilitate the cooling of the battery pack after use, avoid placing the charger or battery pack in a warm environment such as in a metal shed or an uninsulated trailer.
- If the battery pack does not charge properly:
 - Check operation of receptacle by plugging in a lamp or other appliance;
 - Check to see if receptacle is connected to a light switch which turns power off when you turn out the lights;
 - Move the charger and battery pack to a location where the surrounding air temperature is approximately 65 °F – 75 °F (18 ° – 24 °C);
 - If charging problems persist, take the tool, battery pack and charger to your local service center.
- The battery pack should be recharged when it fails to produce sufficient power on jobs which were easily done previously. DO NOT CONTINUE to use under these conditions. Follow the charging procedure. You may also charge a partially used pack whenever you desire with no adverse effect on the battery pack.
- Foreign materials of a conductive nature such as, but not limited to, grinding dust, metal chips, steel wool, aluminum foil, or any buildup of metallic particles should be kept away from charger cavities. Always unplug the charger from the power supply when there is no battery pack in the cavity. Unplug the charger before attempting to clean.
- Do not freeze or immerse the charger in water or any other liquid.

Charger Cleaning Instructions


 **WARNING:** Shock hazard. Disconnect the charger from the AC outlet before cleaning. Dirt and grease may be removed from the exterior of the charger using a cloth or soft non-metallic brush. Do not use water or any cleaning solutions.

Wall Mounting

These chargers are designed to be wall mountable or to sit upright on a table or work surface. If wall mounting, locate the charger within reach of an electrical outlet, and away from a corner or other obstructions which may impede air flow. Use the back of the charger as a template for the location of the mounting screws on the wall. Mount the charger securely using drywall screws (purchased

separately) at least 1" (25.4 mm) long, with a screw head diameter of 0.28–0.35" (7–9 mm), screwed into wood to an optimal depth leaving approximately 7/32" (5.5 mm) of the screw exposed. Align the slots on the back of the charger with the exposed screws and fully engage them in the slots.

COMPONENTS (FIG. A)

 **WARNING:** Never modify the power tool or any part of it. Damage or personal injury could result.

Refer to Figure A at the beginning of this manual for a complete list of components.


Intended Use

This dust extractor is designed for wet/dry applications and to operate on a DEWALT 60 V FLEXVOLT™ battery pack only. This dust extractor is for household and professional use. This product is NOT to be used for filtering of pathogens, for example Covid-19. Follow all local, state, and federal guidance on general cleaning practices.

DO NOT use in presence of flammable liquids or gases.

DO NOT let children come into contact with the appliance. Supervision is required when inexperienced operators use this appliance.

ASSEMBLY AND ADJUSTMENTS

 **WARNING:** To reduce the risk of serious personal injury, turn unit off and remove the battery pack before making any adjustments or removing/installing attachments or accessories. An accidental start-up can cause injury.


Attaching the Hose to the Dust Extractor (Fig. A)

To attach the hose to the dust extractor, press the hose release latch **15** and insert the proper end of the hose into the hose inlet. The hose must be inserted fully before the hose release latch is released.

To remove the hose, press the hose release latch and remove the hose. The hose must be fully removed before releasing the hose release latch.

The hose inlet plug **9** may be used to cover the hose inlet if the hose is removed for transportation, cleaning, etc.

OPERATION

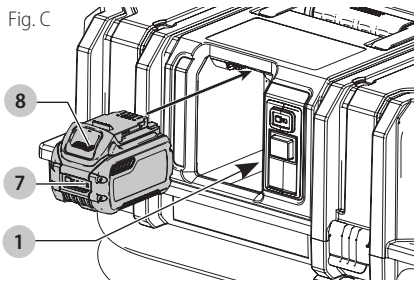
 **WARNING:** To reduce the risk of serious personal injury, turn unit off and remove the battery pack before making any adjustments or removing/installing attachments or accessories. An accidental start-up can cause injury.

Installing and Removing the Battery Pack (Fig. C)

NOTE: Make sure your battery pack **7** is fully charged.

- To install the battery pack into the dust extractor, insert/slide battery pack into battery port **11**. Make sure the battery pack is fully seated.

Fig. C

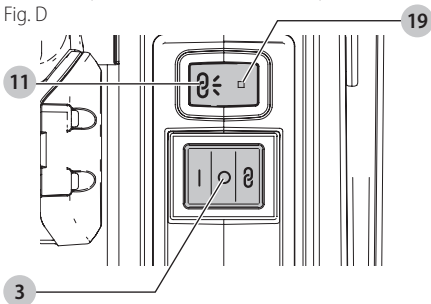


2. To remove the battery pack from the dust extractor, press and hold the battery release **8** on the battery pack and remove. To charge the pack, insert it into your DEWALT charger.

Using the Dust Extractor (Fig. A, D)

1. Attach the appropriate accessory to the hose **2**.
2. Insert the battery pack **7**.
3. To turn dust extractor on, press the three position switch **3** to the On (I) position.
4. To use in Wireless Tool Control™ mode press the three position switch to the Wireless Tool Control™ (Ⓚ) position. The trigger of the connected tool, or the button on the remote will control the dust extractor.
NOTE: Refer to **Pairing the Dust Extractor with a Tool using Wireless Tool Control™ Mode** to use the dust extractor with a Wireless Tool Control™ equipped tool or remote.
5. When finished, turn the dust extractor off by pressing the three position switch to the Off (O) position.

Fig. D



Wet Pick Up Applications (Fig. H)

The dust extractor is designed to perform as a wet/dry unit.

- Use separate filters for wet and dry pick up applications to avoid filter clogging.
- Water sense probes **27** will automatically shut off the dust extractor when the maximum fill level has been reached. Move the three position switch to the Off (O) position, remove the battery pack, and empty the tank before turning the dust extractor back on.
- It is recommended that the tank be emptied of any dry contents prior to being used for wet pick up to facilitate tank cleaning.
- When finished with a wet pick application, remove the filters and allow them to dry completely. This will avoid mildew gathering on the filters.

- Make sure the dust extractor is completely dry before switching back to dry pick up applications.

To Empty Tank (Fig. A, F, G)

WARNING: Before emptying the dust extractor, ALWAYS make sure the three position switch is in the off position and remove the battery pack.

CAUTION: Remove the dust extractor hose from any liquid before emptying the dust extractor.

1. Press the three position switch **3** to the Off (O) position and remove the battery.
NOTE: During wet pick up applications it is normal for a small amount of liquid to flow from the dust extractor hose when the dust extractor is shut off.
2. Unlatch tank latches **4** and remove dust extractor head **6**.
3. Empty contents of tank **16** into a suitable container or drain.

Connecting to Power Tools (Fig. A, E)

1. Choose the correct power tool adapter **26** to fit the power tool connection on the tool to be used, refer to **Optional Accessories** under **Maintenance**. Attach power tool adapter **26** to power tool.

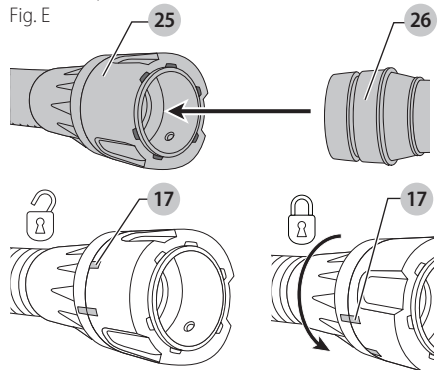
2. Your DEWALT construction dust extractor is fitted with the DEWALT AirLock® connection system. The AirLock® allows for a fast, secure connection between the dust extractor hose **2** and power tool. The AirLock® connector **25** connects directly to DEWALT compatible tools or through the use of an AirLock® adapter (available from your local DEWALT supplier). Refer to the **Optional Accessories** section for detail on available adapters.

NOTE: If using an adapter, ensure it is firmly attached to the tool outlet before following the steps below.

- a. Ensure the collar on the AirLock® connector is in the unlock position. (Refer to Figure E.) Align notches **17** on collar and AirLock® connector as shown for unlock and lock positions.
- b. Push the AirLock® connector onto the adapter connector point.
- c. Rotate the collar to the locked position.

NOTE: The ball bearings inside collar lock into slot and secure the connection. The power tool is now securely connected to the dust extractor.

Fig. E



Pairing the Dust Extractor with a Tool Using Wireless Tool Control™ Mode (Fig. A, D)

CAUTION: When the dust extractor is being controlled with the remote or paired power tool, it may start or stop without warning.

WARNING: Do not attach the remote strap to moving parts.

To Pair with a DEWALT Remote or Wireless Tool Control™ Tool

CAUTION: The dust extractor will turn on as soon as the power tool is paired.

1. Press the three position switch **3** to the Wireless Tool Control™ **0** position.
2. Press and hold the Wireless Tool Control™ pairing button **11** on the DCV585. The LED **19** will flash to indicate the DCV585 has entered pairing mode.
3. While continuing to hold the pairing button **11**, pull the trigger on the Wireless Tool Control™-equipped tool or press the button on the remote **14**.

CAUTION: When the dust extractor is being controlled with the remote or paired power tool, it may start or stop without warning.

4. The LED **19** will be steadily illuminated to indicate a successful pairing.

NOTE: Only one device can be paired to the DCV585 at a time. If the unit is already paired, the previously paired device will be overridden.

To Unpair with a Wireless Tool Control™ Tool or Remote

1. Press the three position switch **3** to the Wireless Tool Control™ **0** position.
2. Press and hold the Wireless Tool Control™ pairing button **11** on the DCV585. The LED **19** will flash to indicate DCV585 has entered pairing mode.
3. While continuing to hold the pairing button **11**, pull the trigger of the previously paired tool or press the button on the previously paired remote **14**.
4. The LED **19** will flash slowly to indicate a successful unpairing.

NOTE: Unpairing a device is not required to pair a new device with the DCV585.

REMOTE SPECIFICATIONS

Voltage	Vdc	3
Battery life		3 Years
Signal Range		≤30' (10 m)
FCC ID		YJ7DCV585
IC		90829-DCV585
Weight		0.60 oz (0.017 kg)

LED FLASH PATTERN

In pairing mode	-----
No device is paired	-----
Device is successfully paired	—————

Dust Extractor Cleaning

To Empty Tank (Fig. A, F-H)

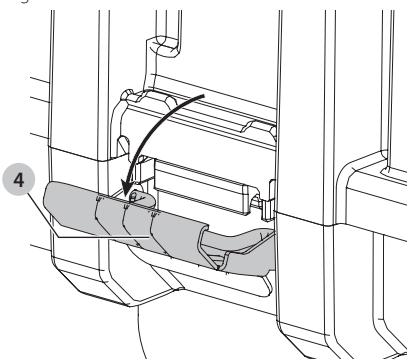
The sound of the motor changes and suction is reduced when the tank is full.

1. Press the three position switch **3** to the Off (O) position and remove the battery.

NOTE: Wait an adequate amount of time after shutting the dust extractor off to allow dust to settle.

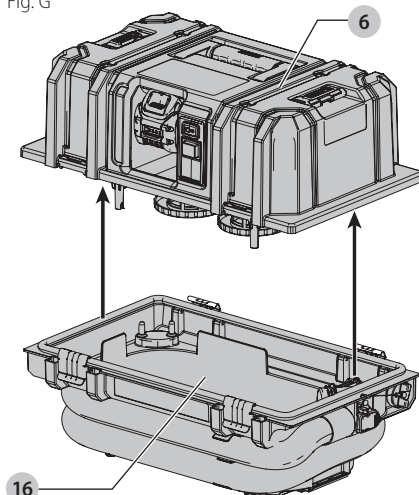
2. Unlatch the tank latches **4**.

Fig. F



3. Remove the dust extractor head **6** from the tank **16**.

Fig. G



4. Empty the contents of the tank into a suitable container.
5. Clean or change HEPA filters **18**. Refer to **HEPA Filter** section of this manual.

- Inspect machine for damage by foreign objects. Contact the nearest DeWALT authorized service center for replacement of damaged or missing parts.
- Replace dust extractor head onto the tank.

NOTE: The dust extractor head only fits in one orientation as shown in Fig G.
- Latch all four latches securely.

NOTE: Inspect water sense probes **27** during dust extractor cleaning. Water sense probes may become contaminated during operation. If contamination is present, clean water sense probes thoroughly with damp cloth to remove any visible contamination.

Stacking Using the DeWALT TSTAK®

Stacking Latches (Fig. A)

WARNING: When stacking, always place the dust extractor on the bottom of the stack.

The DEWALT TSTAK® stacking latches **10** allow for other TSTAK® products to securely stack one on top of the other for convenience and portability.

To use the TSTAK® stacking latches **10**, place a TSTAK® compatible unit on top of the dust extractor and flip up the two TSTAK® stacking latches so that they clip securely to the bottom of the unit.

HEPA Filter

WARNING: The filters must always be in place while vacuuming.

HEPA Filter Care

The HEPA filters included with this dust extractor are long life filters. To be effective in minimizing dust recirculation, especially in lead paint (EPA RRP Rule) applications, the filters MUST be installed correctly and be in good condition.

Automatic Filter Cleaning System

This dust extractor has a highly effective filter cleaning system which minimizes filter clogging. Every 20 seconds, both filters get automatically cleaned. The cleaning process alternates between the filters and continues through the life of the unit.

NOTE: It is normal to hear a clicking sound during this process.

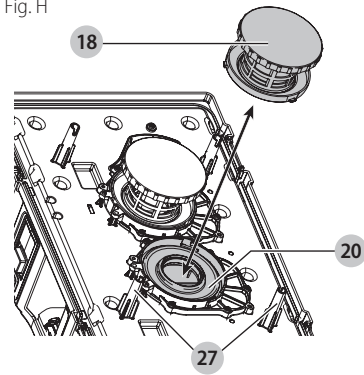
NOTE: After extended operation, the automatic filter cleaning system may not be effective. When this happens, the tank should be emptied and the filters may need to be cleaned or replaced.

To Remove Filters (Fig. A, H)

- Press the three position switch **3** to the Off (O) position and remove the battery.
- Release tank latches **4** and remove dust extractor head **6** from canister. Place dust extractor head on a level surface on its side.
- Turn each HEPA filter **18** counterclockwise, and carefully remove from dust extractor head, ensuring debris does not fall into mounting hole.

NOTE: Use care to not damage filter material.

Fig. H



- Inspect filters for wear, tears or other damage.

NOTE: If there is any doubt on the condition of the filters, they MUST be replaced. DO NOT continue use if filters are damaged.

WARNING: Never use compressed air or a brush to clean filters, otherwise damage to the filter membrane will occur which will allow dust to pass through the filter. If needed, rinse with room temperature water and let air dry. Cleaning of the filters is typically unnecessary. Even if the filter is covered with dust, the automatic filter cleaning system will maintain maximum performance and continue to function. If visual damage to the filter membrane exists, replace filters. Filters typically last between six and twelve months, depending on use and care.

To Install Filters (Fig. A, H)

WARNING: The filters must always be in place while vacuuming.

- Ensure filter seal **20** is in place and is not damaged or dirty.
- Line up the tabs on the HEPA filter **18** to the notches on the dust extractor head and using moderate force, push down and turn clockwise until the filter is secure.

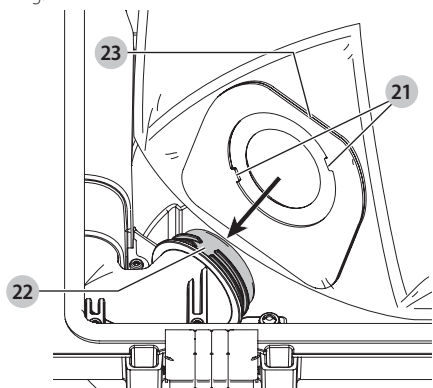
NOTE: Use care to not damage filter material.
- Place the dust extractor head **6** onto the tank **16** and secure it by closing the tank latches **4**.

Installing the Paper or Fleece Bag (Fig. A, G, I)

When vacuuming fine dust, you may also use an additional paper bag or fleece bag **12** to make emptying the tank **16** easier.

- Press the three position switch **3** to the Off (O) position and remove the battery.
- Unlatch the tank latches **4** and remove the dust extractor head **6** from the tank **16**.
- Attach the bag by passing the two tabs **21** on the bag opening past the two notches **22** on the dust extractor.
- Rotate the bag a quarter turn until the square edge **23** is facing upward.

Fig. I



5. Fit bag inside the tank ensuring it is not folded or pinched.
6. Replace dust extractor head onto the tank and latch securely.

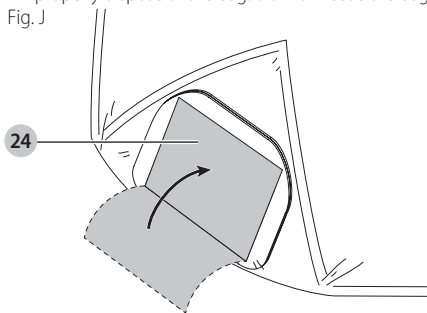
Removing and Disposing the Bag (Fig. A, G, J)

1. Press the three position switch **3** to the Off (O) position and remove the battery.
2. Unlatch the tank latches **4** and remove the dust extractor head **6** from the tank **16**.

NOTE: It is normal for there to be a small amount of dust in the tank even with the the bag properly installed.

3. Rotate the bag until the two tabs align with the two notches on the dust extractor and remove the bag.
4. Once the bag is removed it can be sealed for disposal.
 - a. Peel the backing from the adhesive seal **24**.
 - b. Press the adhesive seal over the opening and properly dispose of the bag. DO NOT reuse the bag.

Fig. J

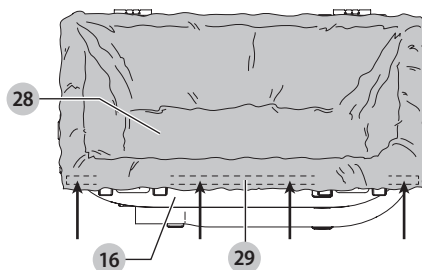


Installing the Plastic Liner (Fig. A, I, K)

1. Press the three position switch **3** to the Off (O) position and remove the battery.
2. Unlatch the tank latches **4** and remove the dust extractor head **6** from the tank **16**.
3. Attach the plastic liner **28** by passing the two tabs **21** on the bag opening past the two notches **22** on the dust extractor as shown in Fig. I.

4. Rotate the bag a quarter turn until the square edge **23** is facing upward.

5. Fold the plastic liner over the top edge of the tank. Fig. K



6. Replace dust extractor head onto the tank and latch securely.

Removing and Disposing the Plastic Liner (Fig. A, I, K)

1. Press the three position switch **3** to the Off (O) position and remove the battery.
2. Unlatch the tank latches **4** and remove the dust extractor head **6** from the tank **16**.

NOTE: It is normal for there to be a small amount of dust in the tank even with the the plastic liner properly installed.

3. Peel the backing from the adhesive tape **29** along the top edge the plastic liner and seal the liner.
4. Rotate the plastic liner until the two tabs align with the two notches on the dust extractor and remove the liner.
5. Peel the backing from the adhesive seal **24**, as shown in Fig. J.
6. Press the adhesive seal over the opening and properly dispose of the bag. DO NOT reuse the bag.

MAINTENANCE

⚠ WARNING: To reduce the risk of serious personal injury, turn unit off and remove the battery pack before making any adjustments or removing/ installing attachments or accessories. An accidental start-up can cause injury.

Cleaning

⚠ WARNING: Using a damp cloth, clean dust from air vents at least once a week. Wear proper ANSI Z87.1 (CAN/CSA Z94.3) eye protection and proper respiratory protection as required by OSHA or other governmental/provincial institutions for the application being performed.

⚠ WARNING: Never use solvents or other harsh chemicals for cleaning the non-metallic parts of the tool. These chemicals may weaken the plastic materials used in these parts. Use a cloth dampened only with water and mild soap.

Accessories



WARNING: Since accessories, other than those offered by DeWALT, have not been tested with this product, use of such accessories with this tool could be hazardous. To reduce the risk of injury, only DeWALT recommended accessories should be used with this product.

Recommended accessories for use with your tool are available at extra cost from your local dealer or authorized service center. If you need assistance in locating any accessory, please contact DeWALT, call 1-800-4-DeWALT (1-800-433-9258).

Replacement filters are available at extra cost at your local DeWALT service center.

Dust Collector

In the vacuum mode, the appliance can also function as a dust collector for power tool applications producing dust or debris.

IMPORTANT! The DWW9000 dust extraction adapter is designed to work with AirLock® Compatible DeWALT power tools. An additional adapter will be needed with non-compatible DeWALT tools.

Optional Accessories

DC5151H	HEPA filter: Captures 99.97% of all particles greater than or equal to 0.3 microns. Required when picking up lead paint debris.
DWE46100	5"–6" (127–152 mm) Cutting/tuckpointing shroud
DWE46101	5"–6" (127–152 mm) Cutting/tuckpointing shroud kit
D25301D	Dust extraction adapter
DWE46150	5" (127 mm) Cutting/tuckpointing shroud
DWE46152	5" (127 mm) Surfacing shroud
DWH050K	DWH050 Universal drilling dust extraction system
DWH052K	DWH052 1-1/8" Hex hammer dust collection
DWH053K	DWH053 SDS MAX and spline chipping dust collection
DWV9316	15' (4.57 m) Anti-Static Hose 1-1/4" hose
DWST17889	Cart
DWST17888	Trolley

The filter bags provide a clean, easy and quick way to dispose of the dust collected.

Paper filter bags: The DCV9401 filter bags are designed to capture many types of dust including drywall, concrete and wood. These bags should be disposed of once the airflow becomes restricted. DO NOT reuse bags.

	DCV9401	Disposable paper filter bag
--	---------	-----------------------------

Fleece filter bag: The DCV9402 fleece bag is designed to capture many types of dust including drywall, concrete and wood. This bag should be disposed of once the airflow becomes restricted. DO NOT reuse this bag. The fleece bag is ideal for heavier materials such as concrete and drywall dust where a paper filter bag may tear.

	DCV9402	Disposable fleece filter bag
---	---------	------------------------------

The DCV9400 disposable plastic liner is designed to seal the liner to the tank inlet without being pulled into the filter during use. The plastic disposable liner allows for easy cleanup and disposal of dust and keeps dust from escaping back into the atmosphere during emptying. Because this liner is specially designed not to be pulled into the filter, there will be a small amount of dust remaining in the tank.

	DCV9400	Disposable plastic collection liner
---	---------	-------------------------------------

Hose and Accessory Storage (Fig. A)

When the dust extractor is not in use, the hose can be wrapped around the appliance, on the tank, and secured with the hose clips **5** also located on the dust extractor.

Repairs

The charger and battery pack are not serviceable. There are no serviceable parts inside the charger or battery pack.



WARNING: To assure product SAFETY and RELIABILITY, repairs, maintenance and adjustment (including brush inspection and replacement, when applicable) should be performed by a DeWALT factory service center or a DeWALT authorized service center. Always use identical replacement parts.

Register Online

Thank you for your purchase. Register your product now for:

- **WARRANTY SERVICE:** Registering your product will help you obtain more efficient warranty service in case there is a problem with your product.
- **CONFIRMATION OF OWNERSHIP:** In case of an insurance loss, such as fire, flood or theft, your registration of ownership will serve as your proof of purchase.
- **FOR YOUR SAFETY:** Registering your product will allow us to contact you in the unlikely event a safety notification is required under the Federal Consumer Safety Act.

Register online at www.dewalt.com

Three Year Limited Warranty

DeWALT will repair or replace, without charge, any defects due to faulty materials or workmanship for three years from the date of purchase (two years for batteries). This warranty does not cover part failure due to normal wear or tool abuse. For further detail of warranty coverage and warranty repair information, visit www.dewalt.com or call 1-800-4-DeWALT (1-800-433-9258). This warranty does not apply to accessories or damage caused where repairs have been made or attempted by others. THIS LIMITED WARRANTY IS GIVEN IN LIEU OF ALL OTHERS, INCLUDING THE IMPLIED WARRANTY OF MERCHANTABILITY AND FITNESS FOR A PARTICULAR PURPOSE, AND EXCLUDES ALL INCIDENTAL OR CONSEQUENTIAL DAMAGES. Some states do not allow limitations on how long an implied warranty lasts or the exclusion or limitation of incidental or consequential damages, so these limitations may not apply to you. This warranty gives you specific legal rights and you may have other rights which vary in certain states or provinces.

In addition to the warranty DeWALT tools are covered by our:

1 YEAR FREE SERVICE

DeWALT will maintain the tool and replace worn parts caused by normal use, for free, any time during the first year after purchase.

2 YEARS FREE SERVICE ON DeWALT BATTERY PACKS

DC9071, DC9091, DC9096, DC9182, DC9280, DC9360, DCB120, DCB127, DCB201, DCB203BT, DCB207, DCB361

3 YEARS FREE SERVICE ON DeWALT BATTERY PACKS

DCB200, DCB203, DCB204, DCB204BT, DCB205, DCB205BT, DCB206, DCB230, DCB606, DCB609, DCB612

NOTE: Battery warranty voided if the battery pack is tampered with in any way. DeWALT is not responsible for any injury caused by tampering and may prosecute warranty fraud to the fullest extent permitted by law.

90 DAY MONEY BACK GUARANTEE

If you are not completely satisfied with the performance of your DeWALT Power Tool or Nailer for any reason, you can return it within 90 days from the date of purchase with a receipt for a full refund – no questions asked.

LATIN AMERICA: This warranty does not apply to products sold in Latin America. For products sold in Latin America, see country specific warranty information contained in the packaging, call the local company or see website for warranty information.

FREE WARNING LABEL REPLACEMENT: If your warning labels become illegible or are missing, call 1-800-4-DeWALT (1-800-433-9258) for a free replacement.

DeWALT®

Compliance Certificate

DeWALT Dust Extractor Vacuums (DCV585) are manufactured in compliance with Underwriters Laboratories (UL) 1017 and Canadian Standards Association (CSA) C22.2 No. 243-01 Standards.

These vacuums also meet the requirements of a HEPA vacuum as defined in the United States Environmental Protection Agency's (EPA) Renovation, Repair and Painting (RRP) Rule (40 CFR Part 745) when used with the DC5151H HEPA filter.





The DC5151H HEPA filter has been evaluated per IEST-RP-CC001.5,7.2 by an independent third party and confirmed that the filter is capable of capturing particles of 0.3 microns with 99.97% efficiency.

TROUBLESHOOTING

Problem	Possible Cause	Troubleshooting Steps
Motor does not run.	Switch is not in On (I) position.	Ensure three position switch is in On (I) position.
	Low battery voltage/poor battery connection.	Ensure battery is fully charged and fully inserted.
	Tank is full of liquid and sense circuit is tripped.	Empty tank.
Dust extractor stops running.	Thermal overload has been tripped.	1. Turn the dust extractor off and remove battery. 2. Empty the tank, if needed. 3. Allow the dust extractor to cool for 5 minutes. 4. Reinsert the battery and press the three position switch to the On (I) position to test. 5. If dust extractor will not restart, call 1-800-4DEWALT (1-800-433-9258).
	Tank is full of liquid and sense circuit is tripped.	Empty tank.
	Battery is discharged.	Insert fully charged battery.
	Battery is not fully inserted.	Remove and reinsert battery.
	Dust extractor is in Wireless Tool Control™ (Ⓟ) mode	Ensure three position switch is in the On (I) position or is properly paired with desired tool or remote.
Dust comes out of unit while using.	Filters not installed properly.	Remove and reinstall per proper procedure.
	Filters are damaged/torn.	Replace filters.
	Filter gaskets are damaged.	Contact DeWALT service center.
	Head not installed properly to tank.	Remove, reinstall and ensure latches are fully engaged.
	Head gasket damaged.	Contact DeWALT service center.
Dust extractor stops capturing dust.	Filters clogged.	Remove filters, tap clean and reinstall.
	Filters at end of service life.	Replace with new filters.
	Automatic filter cleaning no longer functional.	If filter cleaning system is not heard every 20 seconds, contact DeWALT service center.
	Tank full.	Turn unit off and empty tank.
	Hose is clogged.	Inspect and clear hose if clog is found.
	Hose is not fully connected to tank.	Reinsert and ensure hose latch is fully engaged.
	Hose is damaged.	Inspect hose for holes or tears. Replace if damage is found.
Dust extractor will not turn on by Wireless Tool Control™-equipped power tool or remote.	Dust extractor is not in Wireless Tool Control™ (Ⓟ) mode.	Move three position switch to Wireless Tool Control™ (Ⓟ) mode. Follow pairing steps. If LED is not illuminated after pairing with the 3-position switch in Wireless Tool Control™ (Ⓟ) mode, contact DeWALT service center.
	Remote/power tool is not paired to dust extractor.	Follow pairing steps.
	Remote/power tool is out of range of dust extractor.	Move dust extractor closer to remote/power tool.
	Wireless Tool Control™ remote coin cell is dead.	Replace coin cell and retry.
	Paired tool's battery is dead.	Ensure paired tool's battery is fully charged and fully inserted.
	Low battery voltage/poor battery connection.	Ensure battery is fully charged and fully inserted.
	Tank is full of liquid and sense circuit is tripped.	Empty tank.
Tool does not pair	Dust extractor is not in Wireless Tool Control™ (Ⓟ) mode.	Move three position switch to Wireless Tool Control™ (Ⓟ) mode. Follow pairing steps. If LED is not illuminated after pairing with the 3-position switch in Wireless Tool Control™ (Ⓟ) mode, contact DeWALT service center.
	Tool is not Wireless Tool Control™ enabled.	Confirm that tool is Wireless Tool Control™ enabled.

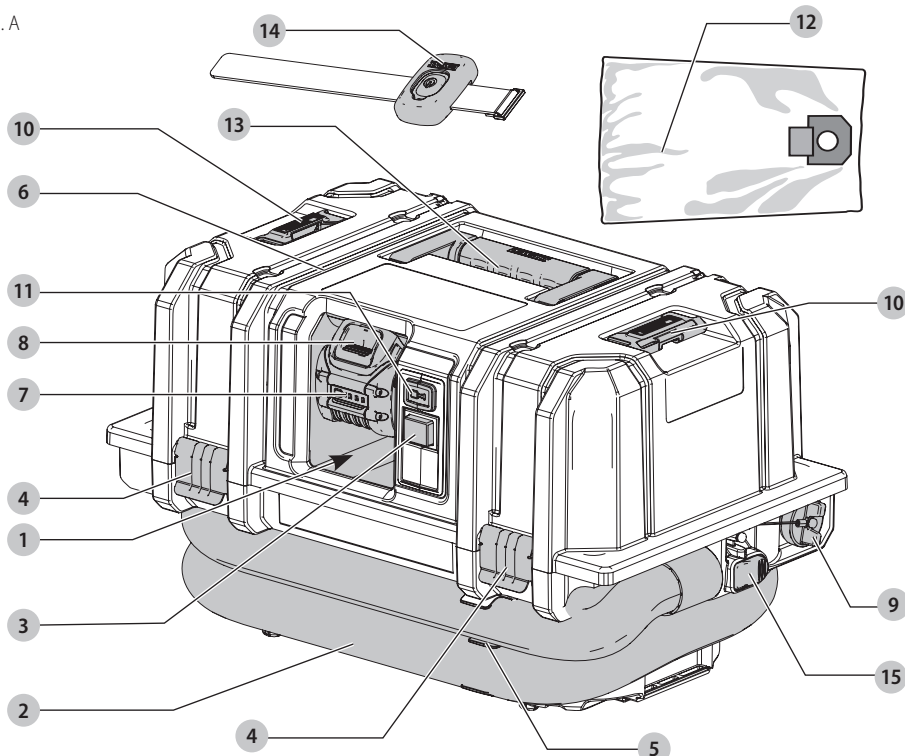
Définitions : symboles et termes d'alarmes sécurité

Ces guides d'utilisation utilisent les symboles et termes d'alarmes sécurité suivants pour vous prévenir de situations dangereuses et de risques de dommages corporels ou matériels.

-  **DANGER** : indique une situation dangereuse imminente qui, si elle n'est pas évitée, **entraînera la mort ou des blessures graves**.
-  **AVERTISSEMENT** : indique une situation potentiellement dangereuse qui, si elle n'est pas évitée, **pourrait entraîner la mort ou des blessures graves**.
-  **ATTENTION** : indique une situation potentiellement dangereuse qui, si elle n'est pas évitée, **pourrait entraîner des blessures légères ou modérées**.
-  (Si utilisé sans aucun terme) Indique un message propre à la sécurité.


AVIS : indique une pratique ne posant **aucun risque de dommages corporels** mais qui par contre, si rien n'est fait pour l'éviter, **pourrait poser des risques de dommages matériels**.

Fig. A



DESCRIPTION

- | | |
|---|--|
| 1 Port d'alimentation | 9 Bouchon d'entrée d'aspiration |
| 2 Extracteur de poussière boyau | 10 Verrous d'empilage DEWALT TSTAK ^{MD} |
| 3 Sélecteur à trois positions | 11 Bouton Wireless Tool Control ^{IMC} |
| 4 Attaches de retenue | 12 Tissu molletonné |
| 5 Pinces de boyau | 13 Poignée |
| 6 Tête de l'extracteur de poussière | 14 Wireless Tool Control ^{IMC} télécommande |
| 7 Bloc-piles (non inclus dans le DCV585B) | 15 Déclencheur de boyau |
| 8 Bouton de libération sur le bloc-piles | |

 **AVERTISSEMENT** : lire tous les avertissements de sécurité et toutes les directives. Le non-respect des avertissements et des directives pourrait se solder par un choc électrique, un incendie et/ou une blessure grave.

 **AVERTISSEMENT** : ne jamais modifier l'outil électrique ni aucun de ses composants, car il y a risques de dommages corporels ou matériels.

 **AVERTISSEMENT** : afin de réduire le risque de blessures, lire le mode d'emploi de l'outil.

Pour toute question ou remarque au sujet de cet outil ou de tout autre outil DEWALT, composez le numéro sans frais : 1-800-4-DEWALT (1-800-433-9258).

CONSIGNES DE SÉCURITÉ IMPORTANTES

LISEZ TOUTES LES INSTRUCTIONS AVANT D'UTILISER CET APPAREIL

Lorsque vous utilisez cet appareil, des consignes de sécurité élémentaires devraient toujours être prises, incluant les suivantes :

⚠ AVERTISSEMENT : afin de réduire le risque d'incendie, de choc électrique et de blessure :

- **Ne pas laisser l'appareil sans surveillance lorsqu'il est branché à une source d'alimentation.** Retirez le bloc-piles lorsque vous ne l'utilisez pas ou effectuez un entretien.
- **Ne pas exposer à la pluie.** Entrez l'appareil à l'intérieur.
- **Ne pas laisser l'appareil être utilisé comme jouet.** Une attention particulière est nécessaire lorsque l'appareil est utilisé par des enfants ou près des enfants.
- **Utilisez l'appareil SEULEMENT comme décrit dans le manuel.** Utilisez seulement les fixations recommandées.
- **Ne pas utiliser cet appareil s'il présente des signes de mauvais fonctionnement de quelque façon que ce soit.** Si l'outil ne fonctionne pas bien, a été échappé, endommagé, laissé à l'extérieur ou échappé dans l'eau, retournez-le dans un centre de services.
- Ne pas manipuler l'appareil avec les mains mouillées.
- **Ne pas mettre tout objet dans les ouvertures de l'appareil.** Ne pas utiliser l'appareil si une ouverture est bloquée; tenez à l'écart de la poussière, de la charpie ainsi que des cheveux et de tout ce qui peut réduire la circulation de l'air.
- Gardez vos cheveux, vos vêtements amples, vos doigts et toutes les parties du corps loin des ouvertures et des pièces en mouvement.
- Éteignez toutes les commandes avant de le débrancher de la source d'alimentation.
- Redoublez de prudence durant le nettoyage d'escaliers.

CONSERVEZ CES INSTRUCTIONS

Avertissements de sécurité supplémentaires

- a) **Prévention le démarrage intempestif. Assurez-vous que l'interrupteur est en position Arrêt avant de brancher le bloc-piles, ramassez ou transportez l'appareil.** Transporter un appareil avec votre doigt sur l'interrupteur ou mettre sous tension un appareil dont le commutateur de marche est fermé favorise les accidents.
- b) **Débranchez le bloc-piles de l'appareil avant d'effectuer tout ajustement, changer les accessoires ou ranger l'appareil.** Ces mesures de sécurité préventives réduisent le risque de démarrage accidentel de l'appareil.
- c) **Rechargez seulement avec le chargeur indiqué par le fabricant.** Un chargeur est approprié pour un type de bloc-piles et peut créer un risque d'incendie s'il est utilisé avec un bloc-piles d'un autre type.
- d) **Utilisez des appareils seulement avec des blocs-piles spécialement conçus.** Utiliser d'autres blocs-piles peut créer un risque de blessure ou d'incendie.
- e) **Lorsque vous n'utilisez pas le bloc-piles, gardez-le hors de portée d'autres objets métalliques, comme les trombones, les pièces de monnaie, les clés, les clous, les vis et autres petits objets métalliques qui peuvent connecter une borne à une autre.** Faire un court-circuit entre les bornes des piles peut entraîner des brûlures ou un incendie.
- f) **En conditions abusives, du liquide peut être éjecté des piles; évitez le contact. Si un contact se produit accidentellement, rincez avec de l'eau. Si du liquide entre en contact avec les yeux, consultez aussi un médecin.** Le liquide éjecté de la pile peut entraîner une irritation ou des brûlures.
- g) **Ne pas utiliser un bloc-piles ou un appareil qui est endommagé ou qui a été modifié.** Les piles endommagées ou modifiées peuvent avoir un comportement imprévisible entraînant un incendie, une explosion ou un risque de blessure.
- h) **Ne pas exposer le bloc-piles ou l'appareil au feu ou à une température excessive.** L'exposition au feu ou à une température au dessus de 130 °C peut entraîner une explosion. La température de 130 °C peut être remplacée par la température de 265 °F.
- i) **Pour les réparations, se référer à une personne qualifiée utilisant uniquement des pièces de rechange d'origine identiques.** Ceci assurera le maintien de la sécurité du produit.

CONSERVEZ CES INSTRUCTIONS

Règles de sécurité particulières pour extracteurs de poussière

AVERTISSEMENT : afin de réduire le risque d'incendie, de choc électrique et de blessure :

- Ne pas ramasser tout ce qui brûle ou fume comme des cigarettes, des allumettes ou des cendres chaudes.
- Ne pas utiliser sans le filtre en place.

Avertissements de sécurité supplémentaires pour extracteurs de poussière

- Le présent extracteur de poussière est conforme à la norme de l'EPA associée aux rénovation, réparations et peinture impliquant l'aspiration de matériaux comprenant du plomb lorsqu'utilisé avec les deux filtres HEPA DCS151H. (Compris avec le modèle DCV585).

Pour plus d'information sur le règlement concernant les rénovations, réparations et peinture impliquant l'aspiration de matériau comprenant du plomb (« RRP Rule », communiquez avec l'Agence de Protection de l'Environnement (EPA) américaine.

- Cet extracteur de poussière est approuvé pour l'utilisation dans des applications de collecte de poussière OSHA Silica 1926.1153 lorsqu'il est utilisé de façon appropriée selon la règle OSHA 1926.1153.
- Ne pas utiliser pour aspirer des matériaux explosifs ou combustibles, tels le charbon, les granules ou d'autres particules fines inflammables.
- Ne pas utiliser pour aspirer des matières dangereuses, toxiques ou cancérogènes, comme de l'amiante ou des pesticides, à moins de l'aspiration de cette matière soit spécifiquement identifiée dans ce guide d'utilisation comme une utilisation approuvée.
- Ne jamais aspirer de liquide explosif (par ex. l'essence, le carburant diesel, l'huile à chauffage, les diluants à peinture, etc.), les acides ou les solvants.
- Des décharges statiques sont possibles dans les aires sèches ou lorsque l'humidité relative de l'air est basse. Ceci est temporaire seulement et n'affecte pas l'utilisation de l'extracteur de poussière.
- Pour prévenir la combustion spontanée, videz le bac à poussière après chaque utilisation.
- Certains bois contiennent des produit de préservation pouvant être toxiques. Lors de travail avec ces matériaux, prenez des précautions pour prévenir l'inhalation et le contact avec la peau. Demandez et suivez les directives de sécurité disponibles chez votre fournisseur de matériaux.
- **NE JAMAIS MONTER OU S'ASSEOIR SUR UN EXTRACTEUR DE POUSSIÈRE.** Des blessures graves pourraient être subies si l'extracteur de poussière se renverse sur le côté.
- Lors d'utilisation avec un chariot approuvé par le fabricant ou autre système de déplacement, prenez des précautions pour éviter le renversement.
- Si empilé sur un chariot avec d'autres produits, toujours placer l'extracteur de poussière en dessous.

- La poignée est pour le transport seulement.
- Soulever et transporter l'extracteur de poussière par sa poignée seulement. Si monté sur un chariot approuvé par le fabricant ou autre système de déplacement, déplacer en utilisant la poignée du chariot (ou autre système) seulement.

Consigne de sécurité supplémentaire

AVERTISSEMENT : porter **SYSTEMATIQUEMENT** des lunettes de protection. Les lunettes courantes NE sont PAS des lunettes de protection. Utiliser aussi un masque antipoussières si la découpe doit en produire beaucoup. PORTER SYSTEMATIQUEMENT UN ÉQUIPEMENT DE SÉCURITÉ HOMOLOGUÉ :

- Protection oculaire ANSI Z87.1 (CAN/CSA Z94.3) ;
- Protection auditive ANSI S12.6 (S3.19) ;
- Protection des voies respiratoires NIOSH/OSHA/MSHA.

AVERTISSEMENT : les scies, meules, ponceuses, perceuses ou autres outils de construction peuvent produire des poussières contenant des produits chimiques reconnus par l'État californien pour causer cancers, malformations congénitales ou être nocifs au système reproducteur. Parmi ces produits chimiques, on retrouve :

- Le plomb dans les peintures à base de plomb ;
- La silice cristallisée dans les briques et le ciment, ou autres produits de maçonnerie ; et
- L'arsenic et le chrome dans le bois ayant subi un traitement chimique.

Le risque associé à de telles expositions varie selon la fréquence à laquelle on effectue ces travaux. Pour réduire toute exposition à ces produits : travailler dans un endroit bien aéré, en utilisant du matériel de sécurité homologué, tel un masque antipoussières spécialement conçu pour filtrer les particules microscopiques.

- **Limiter toute exposition prolongée avec les poussières provenant du ponçage, sciage, meulage, perçage ou toute autre activité de construction. Porter des vêtements de protection et nettoyer à l'eau savonneuse les parties du corps exposées.** Le fait de laisser la poussière pénétrer dans la bouche, les yeux ou la peau peut favoriser l'absorption de produits chimiques dangereux.

AVERTISSEMENT : cet outil peut produire et/ou répandre de la poussière susceptible de causer des dommages sérieux et permanents au système respiratoire. Utiliser systématiquement un appareil de protection des voies respiratoires homologué par le NIOSH ou l'OSHA. Diriger les particules dans le sens opposé au visage et au corps.

AVERTISSEMENT : pendant l'utilisation, porter systématiquement une protection auditive individuelle adéquate homologuée ANSI S12.6 (S3.19). Sous certaines conditions et suivant la durée

d'utilisation, le bruit émanant de ce produit pourrait contribuer à une perte de l'acuité auditive.



ATTENTION : lorsque vous ne l'utilisez pas, placez l'outil sur une surface stable là où cela n'entraînera pas un risque de trébuchement ou de chute.

- **Prendre des précautions à proximité des événements, car ils cachent des pièces mobiles.** Vêtements amples, bijoux ou cheveux longs risquent de rester coincés dans ces pièces mobiles.

L'étiquette apposée sur votre outil peut inclure les symboles suivants. Les symboles et leur définition sont indiqués ci-après :

V.....volts	W.....watts
Hz.....hertz	⤿ or AC.....courant alternatif
min.....minutes	⤿ or AC/DC.....courant alternatif ou continu
—=— or DC.....courant continu	⊞.....fabrication classe II (double isolation)
Ⓢ.....fabrication classe I (mis à la terre)	n ₀vitesse à vide
.../min.....par minute	n.....vitesse nominale
BPM.....battements par minute	⊕.....borne de terre
IPM.....impacts par minute	⚠.....symbole d'avertissement
RPM.....révolutions par minute	⚠.....radiation visible
sfp (plpm).....pieds linéaires par minute	⊕.....protection respiratoire
SPM (FPM).....fréquence par minute	⊕.....protection oculaire
OPM.....oscillations par minute	⊕.....protection auditive
A.....ampères	📄.....lire toute la documentation
IPXX.....symbole IP	

BLOCS-PILES ET CHARGEURS

Le bloc-piles n'est pas totalement chargé d'usine. Avant d'utiliser le bloc-piles et le chargeur, lire les consignes de sécurité ci-après puis suivre la procédure de chargement indiquée. Pour commander un bloc-piles de recharge, s'assurer d'en inclure le numéro de catalogue et la tension.

LIRE TOUTES LES CONSIGNES

Consignes importantes de sécurité

les blocs-piles



AVERTISSEMENT : lisez toutes les consignes de sécurité, les instructions et les symboles d'avertissements du bloc-piles, du chargeur et du produit. Tout manquement aux avertissements et instructions pose des risques de décharges électriques, d'incendie et/ou de blessures graves.

- **Ne pas recharger ou utiliser un bloc-piles en milieu déflagrant, en présence, par exemple, de poussières, gaz ou liquides inflammables.** Le fait d'insérer ou retirer un bloc-piles de son chargeur pourrait causer l'inflammation de poussières ou d'émanations.
- **Lorsque non utilisé, garder le bloc-piles éloigné de petits objets métalliques comme des trombones**

attache-feuilles, des pièces de monnaie, des clés, des clous et vis ou autres pièces qui pourraient causer-circuiter les bornes. Un court-circuit pourrait causer des brûlures ou un incendie.

- **NE JAMAIS forcer l'insertion d'un bloc-piles dans un chargeur. NE modifier un bloc-piles d'AUCUNE façon pour le faire rentrer dans un chargeur incompatible, car il pourrait se briser et causer des dommages corporels graves.** Consulter le tableau en dernière page de ce manuel pour connaître les compatibilités entre chargeurs et blocs-piles.

- Recharger les blocs-piles exclusivement dans des chargeurs DEWALT.
- **NE PAS** éclabousser le bloc-piles ou l'immerger dans l'eau ou dans tout autre liquide.
- **Ne pas entreposer ou utiliser l'appareil et le bloc-piles en présence de températures ambiantes pouvant excéder 40 °C (104 °F) (comme dans des hangars ou des bâtiments métalliques l'été).** Pour préserver leur durée de vie, entreposer les blocs-piles dans un endroit frais et sec.

REMARQUE : ne pas mettre un bloc-piles dans un outil dont la gâchette est verrouillée en position de marche. Ne jamais bloquer l'interrupteur en position de MARCHÉ.

- **Ne pas incinérer le bloc-piles même s'il est sévèrement endommagé ou complètement usagé, car il pourrait exploser et causer un incendie.** Pendant l'incinération des blocs-piles au lithium-ion, des vapeurs et matières toxiques sont dégagées.
- **En cas de contact du liquide de la pile avec la peau, rincer immédiatement au savon doux et à l'eau.** En cas de contact oculaire, rincer l'œil ouvert à l'eau claire une quinzaine de minutes ou jusqu'à ce que l'irritation cesse. Si des soins médicaux s'avéraient nécessaires, noter que l'électrolyte de la pile est composé d'un mélange de carbonates organiques liquides et de sels de lithium.
- **Le contenu des cellules d'une pile ouverte peut causer une irritation respiratoire.** En cas d'inhalation, exposer l'individu à l'air libre. Si les symptômes persistent, consulter un médecin.



AVERTISSEMENT : risques de brûlure. Le liquide de la pile peut s'enflammer s'il est exposé à des étincelles ou à une flamme.



AVERTISSEMENT : risques d'incendie. Ne jamais tenter d'ouvrir le bloc-piles pour quelque raison que ce soit. Si le boîtier du bloc-piles est fissuré ou endommagé, ne pas l'insérer dans un chargeur. Ne pas écraser, laisser tomber, ou endommager les bloc-piles. Ne pas utiliser un bloc-piles ou un chargeur qui a reçu un choc violent, ou si l'appareil est tombé, a été écrasé ou endommagé de quelque façon que ce soit (p. ex. percé par un clou, frappé d'un coup de marteau, piétiné). Les blocs-piles endommagés doivent être renvoyés à un centre de réparation pour y être recyclés.

Recommandations de stockage

1. Le lieu idéal de rangement est un lieu frais et sec, à l'abri de toute lumière solaire directe et de toute température excessive.
2. Pour un stockage prolongé, il est recommandé d'entreposer le bloc-piles pleinement chargé dans un lieu frais et sec, hors du chargeur pour optimiser les résultats.

REMARQUE : les blocs-piles ne devraient pas être entreposés complètement déchargés. Il sera nécessaire de recharger le bloc-piles avant réutilisation.

Instructions d'entretien du bloc-pile

1. Éliminer toute saleté ou graisse de la surface externe du bloc-pile à l'aide d'un chiffon ou d'une brosse non métallique douce. N'utiliser ni eau ni aucun nettoyant liquide.

Le sceau SRPRC^{MD}

Le sceau SRPRC^{MD} (Société de recyclage des piles rechargeables du Canada) apposé sur une pile au nickel-cadmium, à hydrure métallique de nickel ou au lithium-ion (ou un bloc-piles) indique que les coûts de recyclage de ces derniers en fin d'utilisation ont déjà été réglés par DeWALT. Dans certaines régions, la mise au rebut ou aux ordures municipales des piles au nickel-cadmium, à l'hydrure métallique de nickel ou au lithium-ion, est illégale ; le programme de l'Appel à Recycler^{MD} constitue donc une solution pratique et écologique.



Appel à Recycler Canada, Inc., en collaboration avec DeWALT et d'autres utilisateurs de piles, a mis sur pied de programme aux États-Unis et au Canada pour faciliter la collecte des piles au nickel-cadmium, à l'hydrure métallique de nickel ou au lithium-ion usagées. Aidez-nous à protéger l'environnement et à conserver nos ressources naturelles en renvoyant les piles au nickel-cadmium, à l'hydrure métallique de nickel ou au lithium-ion usagées à un centre de réparation autorisé DeWALT ou chez votre détaillant afin qu'elles y soient recyclées. On peut en outre se renseigner auprès d'un centre de recyclage local pour connaître d'autres sites les acceptant. SRPRC^{MD} est une marque déposée de l'Appel à Recycler Canada, Inc.

Témoin de Charge du Bloc-Piles (Fig. B)

DeWALT possède un témoin de charge qui consiste en trois voyants Del verts indiquant le niveau de charge du bloc-piles.

Le témoin de charge indique approximativement le niveau de charge restant dans le bloc-piles en fonction des voyants suivants :

Chargé de 75 à 100 %

Chargé de 51 à 74 %

Chargé de < 50 %

Le bloc-piles doit être rechargé

Pour activer le témoin de charge, maintenez appuyé le bouton du témoin de charge. Une combinaison des trois voyants Del verts s'allumera indiquant le niveau de charge. Lorsque le niveau de charge du bloc-pile atteint la limite minimale d'utilisation, le témoin de charge reste éteint et le bloc-piles doit être rechargé.

Fig. B



REMARQUE : le témoin de charge ne fait qu'indiquer le niveau de charge du bloc-piles. Il ne donne aucune indication quant au fonctionnement de l'outil. Son propre fonctionnement pourra aussi varier en fonction des composants produit, de la température et de l'application d'utilisation.

Pour plus d'informations quant au témoin de charge du bloc-piles, veuillez appeler le 1-800-4-DeWALT (1-800-433-9258) or visit our website www.dewalt.com.

Transport



AVERTISSEMENT : risques d'incendie. Au moment de ranger ou transporter le bloc-piles, veiller à protéger ses bornes à découvert de tout objet métallique. Par exemple, éviter de placer le bloc-piles dans un tablier, une poche, une boîte à outils ou un tiroir, etc. contenant des objets tels que clous, vis, clés, etc. **Le fait de transporter des blocs-piles comporte des risques d'incendie, car les bornes des piles pourraient entrer, par inadvertance, en contact avec des objets conducteurs, tels que : clés, pièces de monnaie, outils ou autres.**

La réglementation sur les produits dangereux (Hazardous Material Regulations) du département américain des transports interdit, en fait, le transport des blocs-piles dans les commerces ou dans les avions dans les bagages de cabine, À MOINS qu'ils ne soient correctement protégés de tout court-circuit. Aussi lors du transport individuel de blocs-piles, s'assurer que leurs bornes sont bien protégées et isolées de tout matériau pouvant entrer en contact avec elles et provoquer un court-circuit.

REMARQUE : il ne faut pas laisser de piles au LI-ION dans les bagages enregistrés.

Expédition du bloc-piles DeWALT FLEXVOLT^{MC}

Le bloc-piles DeWALT FLEXVOLT^{MC} possède deux modes :

Utilisation et Expédition.

Mode Utilisation : lorsque le bloc-piles FLEXVOLT^{MC} est par lui-même ou dans un produit DeWALT 20V max*, il

fonctionnera comme un bloc-piles de 20V max*. Lorsque le bloc-piles FLEXVOLT™ est dans un produit de 60V max* ou 120V max* (deux blocs-piles de 60V max*), il fonctionnera comme un bloc-piles de 60V max*.

Mode Expédition : lorsque

le capuchon est inséré sur le bloc-piles FLEXVOLT™, le bloc-piles est en mode Expédition. Les modules de cellules sont électriquement déconnectés du bloc le faisant correspondre à trois blocs-piles d'un wattheure (Wh) inférieur comparé à un bloc-piles de wattheure élevé. Ce passage à trois blocs-piles à un wattheure inférieur peut permettre au bloc-piles d'être exempté de suivre certaines directives d'expédition imposées sur les blocs-piles de wattheure supérieur.

L'étiquette du bloc-piles donne deux estimations de wattheures (se reporter à l'exemple). Selon comment le bloc-piles est expédié, l'estimation appropriée de wattheure doit être utilisée pour déterminer les modalités d'expédition lui correspondant. Si le capuchon d'expédition est utilisé, le bloc-piles sera considéré comme 3 blocs-piles au wattheure indiqué pour « Expédition ». S'il est expédié sans le capuchon ou dans un outil, le bloc-piles sera considéré comme un seul bloc-piles au wattheure indiqué à côté de « Utilisation ».

Exemple d'étiquetage d'utilisation et d'expédition

USE: 120 Wh Shipping: 3 x 40 Wh

Par exemple, le Wh de expédition pourra indiquer 3 x 40 Wh, ce qui correspond à 3 blocs-piles de 40 wattheures chacun. L'utilisation du Wh pourra indiquer 120 Wh (sous-entendu 1 bloc-piles).

Directives de sécurité importantes propres à tous les chargeurs de piles



AVERTISSEMENT : lisez toutes les consignes de sécurité, les instructions et les symboles d'avertissements du bloc-piles, du chargeur et du produit. Tout manquement aux avertissements et instructions pose des risques de décharges électriques, d'incendie et/ou de blessures graves.

- **NE PAS tenter de recharger le bloc-piles avec tout autre chargeur qu'une unité DeWALT.** Le chargeur DeWALT et son bloc-piles sont conçus spécialement pour fonctionner conjointement.
- **Ces chargeurs n'ont pas été conçus pour une utilisation autre que recharger les blocs-piles rechargeables DeWALT.** Toute autre utilisation comporte des risques d'incendie, de chocs électriques ou d'électrocution.
- **Protéger le chargeur de la pluie ou de la neige.**
- **Tirer sur la fiche plutôt que sur le cordon pour débrancher le chargeur.** Cela permet de réduire les risques d'endommager la fiche ou le cordon d'alimentation.
- **S'assurer que le cordon est protégé de manière à ce que personne ne marche ni ne trébuche dessus,**

ou à ce qu'il ne soit ni endommagé ni soumis à aucune tension.

- **N'utiliser une rallonge qu'en cas de nécessité absolue.** L'utilisation d'une rallonge inadéquate comporte des risques d'incendie, de chocs électriques ou d'électrocution.
- **Pour utiliser un chargeur à l'extérieur, le placer dans un endroit sec et utiliser une rallonge conçue pour l'extérieur.** L'utilisation d'une rallonge conçue pour l'extérieur réduit les risques de chocs électriques.
- **Pour la sécurité de l'utilisateur, utiliser une rallonge de calibre adéquat (AWG, American Wire Gauge [calibrage américain normalisé des fils électriques]).** Plus le calibre est petit, et plus sa capacité est grande. Un calibre 16, par exemple, a une capacité supérieure à un calibre 18. L'usage d'une rallonge de calibre insuffisant causera une chute de tension qui entraînera perte de puissance et surchauffe. Si plus d'une rallonge est utilisée pour obtenir une certaine longueur, s'assurer que chaque rallonge présente au moins le calibre de fil minimum. Le tableau ci-dessous illustre les calibres à utiliser selon la longueur de rallonge et l'intensité nominale indiquée sur la plaque signalétique. En cas de doute, utiliser le calibre suivant. Plus le calibre est petit, plus la rallonge peut supporter de courant.

Calibre minimum pour les cordons d'alimentation

Volts	Longueur totale du cordon d'alimentation en mètre (pieds)			
	7,6 (25)	15,2 (50)	30,5 (100)	45,7 (150)
120 V				
240 V	15,2 (50)	30,5 (100)	61,0 (200)	91,4 (300)
Amprès		AWG		
Plus que	Pas plus que			
0	6	18	16	14
6	10	18	16	14
10	12	16	16	14
12	16	14	12	Non recommandé

- **Ne poser aucun objet sur le chargeur. Ne pas mettre le chargeur sur une surface molle qui pourrait en bloquer la ventilation et provoquer une surchauffe interne.** Éloigner le chargeur de toute source de chaleur. Le chargeur dispose d'orifices d'aération sur le dessus et le dessous du boîtier.
- **Ne pas le faire fonctionner avec un cordon d'alimentation ou une fiche endommagée**—les remplacer immédiatement.
- **Ne pas utiliser le chargeur s'il a reçu un coup, fait une chute ou a été endommagé de quelque façon que ce soit.** Le ramener dans un centre de réparation agréé.
- **Ne pas démonter le chargeur. Pour tout service ou réparation, le rapporter dans un centre de réparation agréé.** Le fait de le réassembler de façon incorrecte comporte des risques de chocs électriques, d'électrocution et d'incendie.
- **Débrancher le chargeur du secteur avant tout entretien. Cela réduira tout risque de chocs électriques.** Le fait de retirer le bloc-piles ne réduira pas ces risques.

- **NE JAMAIS** tenter de connecter 2 chargeurs ensemble.
- **Le chargeur a été conçu pour être alimenté en courant électrique domestique standard de 120 volts. Ne pas tenter de l'utiliser avec toute autre tension.** Cela ne s'applique pas aux chargeurs de postes mobiles.

⚠️ AVERTISSEMENT : risques de chocs électriques. Ne laisser aucun liquide pénétrer dans le chargeur, des chocs électriques pourraient en résulter.

⚠️ AVERTISSEMENT : risques de brûlure. Ne submerger le bloc-piles dans aucun liquide et le protéger de toute infiltration de liquide. Ne jamais tenter d'ouvrir le bloc-piles pour quelque raison que ce soit. Si le boîtier plastique du bloc-piles est brisé ou fissuré, le retourner dans un centre de réparation pour y être recyclé.

⚠️ ATTENTION : risques de brûlure. Pour réduire tout risque de dommages corporels, ne recharger que des blocs-piles rechargeables DEWALT. Tout autre type de piles pourrait exploser et causer des dommages corporels et matériels.







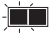


⚠️ ATTENTION : sous certaines conditions, lorsque le chargeur est connecté au bloc d'alimentation, des matériaux étrangers pourraient court-circuiter le chargeur. Les corps étrangers conducteurs tels que (mais pas limité à) poussières de rectification, débris métalliques, laine d'acier, feuilles d'aluminium, ou toute accumulation de particules métalliques doivent être maintenus à distance des orifices du chargeur. Débrancher systématiquement le chargeur lorsque le bloc-piles n'y est pas inséré. Débrancher systématiquement le chargeur avant tout entretien.

Chargement du bloc-piles

REMARQUE : afin d'assurer la performance et la vie maximales des blocs-piles au lithium-ion, chargez complètement le bloc-pile avant la première utilisation.

1. Branchez le chargeur dans une prise appropriée avant d'insérer le bloc-piles.
2. Branchez le chargeur et le bloc-piles en vous assurant que le bloc-piles est bien mis en place. Le voyant rouge (chargement) clignotera sans cesse indiquant que le processus de chargement est commencé.
3. La fin de la recharge sera indiquée par le voyant qui demeurera allumé de façon continue. Le bloc-piles est complètement chargé et peut être retiré utilisé à ce moment ou laissé dans le chargeur.

REMARQUE : pour retirer le bloc-piles, on doit appuyer sur le bouton de libération du bloc-piles sur certains chargeurs.

Indicators	
	Bloc-piles en Cours de Chargement  
	Bloc-piles Chargé  
	Suspension de Charge Contre le Chaud/Froid*  

*Le voyant rouge ne cessera de clignoter, mais un voyant jaune restera allumé pendant cette opération. Lorsque le bloc-piles aura repris une température appropriée, le voyant jaune s'éteindra et le chargeur reprendra sa procédure de charge.

Le chargeur ne chargera pas un bloc-piles défectueux. Un chargeur ne se mettant pas en fonction pourrait être défectueux or a faulty battery pack.

REMARQUE : si le chargeur ne se met pas en fonction, faites tester le chargeur et le bloc-piles à un centre de service autorisé.

Fonction de suspension de charge contre le chaud/froid

Lorsque le chargeur détecte un bloc-piles trop chaud ou trop froid, il démarre automatiquement la fonction de suspension de charge contre le chaud, suspendant le chargement jusqu'à ce que le bloc-piles ait repris une température appropriée. Le chargeur ensuite se remettra automatiquement en mode de chargement. Cette caractéristique assure aux blocs-piles une durée de vie maximale.

Un bloc-piles froid peut recharger moins vite qu'un bloc-piles chaud.

Le chargeur DCB118 est équipé d'un ventilateur interne destiné à refroidir le bloc-piles. Le ventilateur se mettra automatiquement en marche chaque fois que le bloc-piles aura besoin de se refroidir.

N'utilisez jamais le chargeur si le ventilateur ne fonctionne pas correctement ou si ses fentes d'aération sont bloquées. Protégez systématiquement l'intérieur du chargeur de tout objet étranger.

Système de protection électronique

Les appareils au Li-Ion sont équipés d'un système électronique de protection pour protéger les blocs-piles de toute surcharge, surchauffe ou fuite importante.

L'appareil s'arrêtera automatiquement dès que le système électronique de protection sera activé. Si c'était le cas, placez le bloc-piles au lithium-ion sur son chargeur jusqu'à ce qu'il soit complètement rechargé.


Remarques importantes concernant le chargement

1. Pour augmenter la durée de vie du bloc-piles et optimiser son rendement, le recharger à une température ambiante de 18 ° à 24 °C (65 °F à 75 °F). NE PAS charger lorsque le bloc-piles est en dessous de +4,5 °C (+40 °F) ou au-dessus de +40 °C (+104 °F). C'est important pour prévenir tout dommage sérieux au bloc-piles.
2. Le chargeur et son bloc-piles peuvent devenir chauds au toucher pendant la charge. C'est normal et ne représente en aucun cas une défaillance du produit. Pour faciliter le refroidissement du bloc-piles après utilisation, éviter de laisser le chargeur ou le bloc-piles dans un local où la température ambiante est élevée

comme dans un hangar métallique ou une remorque non isolée.

3. Si le bloc-piles ne se recharge pas correctement :
 - a. Vérifier le bon fonctionnement de la prise en y branchant une lampe ou tout autre appareil électrique.
 - b. Vérifier que la prise n'est pas contrôlée par un interrupteur qui coupe le courant lorsqu'on éteint les lumières.
 - c. Déplacer le chargeur et le bloc-piles dans un local où la température ambiante se trouve entre environ 18 ° et 24 °C (65 °F et 75 °F).
 - d. Si le problème persiste, amener l'outil, le bloc-piles et son chargeur dans un centre de réparation local.
4. Recharger le bloc-piles lorsqu'il ne produit plus assez de puissance pour effectuer un travail qu'il faisait facilement auparavant. **NE PAS CONTINUER** à l'utiliser dans ces conditions. Suivre la procédure de charge. Si nécessaire, il est aussi possible de recharger un bloc-piles partiellement déchargé sans effet nuisible sur le bloc-piles.
5. Les corps étrangers conducteurs tels que (mais pas limité à) poussières de rectification, débris métalliques, laine d'acier, feuilles d'aluminium, ou toute accumulation de particules métalliques doivent être maintenus à distance des orifices du chargeur. Débrancher systématiquement le chargeur lorsque le bloc-piles n'y est pas inséré. Débrancher systématiquement le chargeur avant tout entretien.
6. Ne pas congeler ou immerger le chargeur dans l'eau ou tout autre liquide.

Instructions d'entretien du chargeur

-  **AVERTISSEMENT** : risques de chocs électriques. *Débrancher le chargeur de la prise de courant alternatif avant tout entretien. Éliminer toute saleté ou graisse de la surface externe du chargeur à l'aide d'un chiffon ou d'une brosse non métallique douce. N'utiliser ni eau ni aucun nettoyant liquide.*

Installation murale

Ces chargeurs ont été conçus pour une installation murale ou pour être posés sur une table ou une surface de travail. Pour une fixation murale, installez le chargeur à proximité d'une prise électrique, et à l'écart de coins ou de toute autre obstruction au passage de l'air. Utilisez l'arrière du chargeur pour marquer l'emplacement des vis de montage sur le mur. Fixez soigneusement le chargeur à l'aide de vis autoforeuses (vendues séparément) d'au moins 25,4 mm (1 po) de long, et de diamètre de tête de 7-9 mm (0,28–0,35 po), que vous visserez dans le bois en laissant une longueur optimale d'environ 5,5 mm (7/32 po) exposée. Alignez les orifices à l'arrière du chargeur sur les vis exposées et insérez à fond ces dernières dans les orifices.

DESCRIPTION (FIG. A)

-  **AVERTISSEMENT** : ne jamais modifier l'outil électrique ni aucun de ses composants, car il y a risques de dommages corporels ou matériels.

Reportez-vous en Figure A au début de ce manuel pour obtenir la liste complète des composants.

Usage prévu

Cet extracteur de poussière est conçu pour applications sèches ou mouillées et pour fonctionner sur un bloc-piles DEWALT 60 V FLEXVOLT™ seulement. Cet extracteur de poussière est pour usage domestique ou professionnel.

Ce produit ne doit PAS être utilisé pour filtrer les agents pathogènes, tels que la Covid-19. Suivez toutes les directives locales, provinciales et fédérales sur les pratiques générales de nettoyage.

NE PAS utiliser en présence de liquides ou de gaz inflammables.

NE PAS laisser les enfants entrer en contact avec l'appareil. Une supervision est requise lorsque des opérateurs inexpérimentés utilisent cet appareil.

ASSEMBLAGE ET AJUSTEMENTS

-  **AVERTISSEMENT** : pour réduire le risque de blessures graves, éteindre l'outil et retirer le bloc-piles avant d'effectuer tout réglage et d'enlever ou d'installer tout accessoire. Un démarrage accidentel peut provoquer des blessures.

Fixation du boyau à l'extracteur de poussière (Fig. A)

Pour fixer le boyau à l'extracteur de poussière, appuyez sur le déclencheur de boyau **15** et insérez l'extrémité de tuyau appropriée dans l'entrée d'aspiration. Le boyau doit être inséré complètement dans l'orifice avant de relâcher l'enclencheur de boyau.

Pour retirer le boyau, appuyez sur le déclencheur de boyau et tirez sur le tuyau. Le boyau doit être retiré complètement avant de relâcher l'enclencheur de boyau.

Le bouchon d'entrée d'aspiration **9** peut être utilisé pour boucher l'entrée si le boyau est déposé durant les déplacements.

UTILISATION

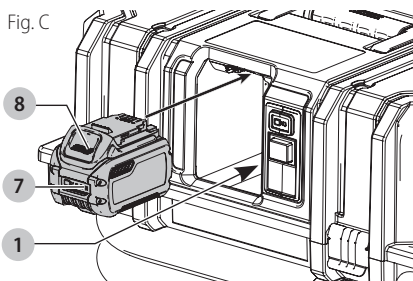
-  **AVERTISSEMENT** : pour réduire le risque de blessures graves, éteindre l'outil et retirer le bloc-piles avant d'effectuer tout réglage et d'enlever ou d'installer tout accessoire. Un démarrage accidentel peut provoquer des blessures.

Installation et retrait du bloc-piles (Fig. C)

REMARQUE : s'assurer que le bloc-piles **7** est complètement chargé.

1. Pour installer le bloc-piles dans l'extracteur de poussière, insérez le bloc-piles en le glissant dans le port d'alimentation **11**. Assurez-vous que le bloc-piles est complètement inséré/enclenché.

Fig. C



2. Pour retirer le bloc-piles de l'extracteur de poussière, appuyer et maintenir son bouton de libération sur le bloc-piles **8** et le tirer hors de l'extracteur. Pour recharger le bloc-piles, l'insérer dans votre chargeur DEWALT.

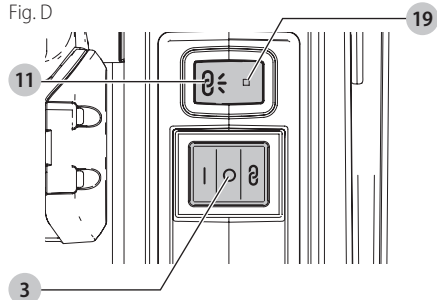
Utilisation de l'extracteur de poussière (Fig. A, D)

1. Fixez l'accessoire approprié au boyau **2**.
2. Insérez le bloc-piles **7**.
3. Pour mettre l'extracteur de poussière en marche, placez le sélecteur à trois positions **3** à la position 1 (« On »).
4. Pour utilisation en mode de commande à distance « Wireless Tool Control[™] », placez le sélecteur à la positions **8**. La gâchette de l'outil raccordé ou le bouton de la télécommande contrôlera le fonctionnement de l'extracteur de poussière.

REMARQUE : Pour utiliser l'extracteur de poussière avec une télécommande ou un outil muni de la commande Wireless Tool Control[™], se référer à **Appariement de l'extracteur de poussière à un outil utilisant le mode Wireless Tool Control[™]**.

5. Lorsque terminé, arrêtez l'extracteur de poussière en plaçant le sélecteur à trois positions sur « O » (Off).

Fig. D



Applications d'aspiration mouillées (Fig. H)

L'extracteur de poussière est conçu comme une unité à sec et mouillée.

- Pour éviter le blocage de filtre, utilisez des filtres séparés pour chaque type d'application.
- Les sondes de détection d'eau **27** éteindront automatiquement l'extracteur de poussière lorsque le niveau maximum aura été atteint. Placez le sélecteur à trois positions sur « O » (Off), retirez le bloc-piles et videz

le réservoir avant de remettre l'extracteur de poussière en fonction.

- Pour faciliter le nettoyage du bac à poussière, il est recommandé de le vider de tout contenu sec avant d'être utilisé pour l'aspiration de produits mouillés.
- Après avoir terminé les aspirations mouillées, déposez les filtres et laissez-les sécher complètement. Ceci prévient la formation de moisissures.
- Assurez-vous que l'extracteur de poussière est complètement sec avant de retourner à l'aspiration de matériaux secs.

Vidange du bac à poussière (Fig. A, F, G)

⚠ Avertissement : avant de vider l'extracteur de poussière, assurez-vous **TOUJOURS** que le sélecteur à trois positions est en position « O » avant de retirer le bloc-piles.

⚠ Attention : avant de vidanger l'extracteur de poussière, sortir son boyau du liquide.

1. Placez le sélecteur à trois positions **3** à la position « O » (Off) et sortir le bloc-piles de son logement.

REMARQUE : Après l'aspiration de produits mouillés, il sera normal qu'il se produise un léger écoulement de liquide du boyau.

2. Déclenchez les attaches de retenue **4** et retirez la tête de l'extracteur de poussière **6**.
3. Vidangez le contenu du réservoir **16** dans un contenant approprié ou dans un égout.

Connexion à un outil électrique (Fig. A, E)

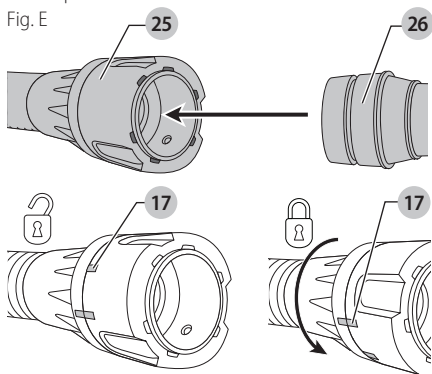
1. Choisissez le raccord d'outil **26** adapté à la connexion de l'outil électrique qui sera utilisé. Reportez-vous à la section **Accessoires en option** sous **Maintenance**. Rattachez le raccord d'outil **26** à l'outil électrique.
2. Votre extracteur de poussière de construction DEWALT est équipé d'un système de connexion AirLock[™] DEWALT. Le sas AirLock[™] permet une connexion sécuritaire et rapide entre le tuyau de l'extracteur de poussière **2** et l'outil électrique. Le connecteur AirLock[™] **25** se connecte directement sur des outils DEWALT compatibles ou en utilisant un adaptateur AirLock[™] (disponible chez votre fournisseur DEWALT local). Reportez-vous à la section **Accessoires en option** pour plus de détails sur les adaptateurs disponibles.

REMARQUE : lorsqu'un adaptateur est utilisé, s'assurer qu'il est fermement raccordé à la buse de l'outil avant de suivre les étapes suivantes.

- a. Vérifiez que le collier sur le connecteur AirLock[™] est sur la position déverrouillée (reportez-vous à la Figure F). Alignez les encoches **17** sur le collier et le connecteur AirLock[™], comme illustré, pour la position verrouillée ou déverrouillée.
- b. Enfoncez le connecteur AirLock[™] sur la buse de raccordement de l'adaptateur.
- c. Tournez le collier sur la position verrouillée.

REMARQUE : le roulement à billes à l'intérieur du collier s'enclenche dans l'encoche pour un raccordement sécuritaire. L'outil électrique est à

présent connecté de façon fiable à l'extracteur de poussière.



Appariement de l'extracteur de poussière à un outil utilisant le mode « Wireless Tool Control™ » (Fig. A, D)

ATTENTION : lorsque l'extracteur de poussière est commandé avec une télécommande ou apparié avec un outil électrique, il pourrait être mis en marche ou arrêté sans avertir les personnes à proximité.

AVERTISSEMENT : ne pas fixer la gaine de la télécommande à une pièce mobile.

Appariement à une télécommande ou un outil Wireless Tool Control™ DEWALT

ATTENTION : Le dépoussiéreur se mettra en marche dès que l'outil électrique sera apparié.

- Placez le sélecteur à trois positions **3** à la position **0** Wireless Tool Control™.
- Appuyez et maintenez le bouton Appairier **11** de Wireless Tool Control™ sur le DCV585. Le voyant DEL **19** clignotera pour indiquer que le DCV585 est entré en mode Appairier.
- Tout en continuant de maintenir le bouton Appairier **11**, appuyez sur la gâchette sur l'outil muni de Wireless Tool Control™ ou appuyez sur le bouton de la télécommande **14**.
- Le voyant DEL **19** demeurera allumé pour indiquer un appariement réussi.
- REMARQUE :** Un seul appareil à la fois peut être apparié au DCV585. Si l'unité est déjà appariée, l'appareil déjà apparié sera remplacé.

Pour désappairer avec une télécommande ou un outil Wireless Tool Control™

- Placez le sélecteur à trois positions **3** à la position **0** Wireless Tool Control™.
- Appuyez et maintenez le bouton Appairier **11** de Wireless Tool Control™ sur le DCV585. Le voyant DEL **19** clignotera pour indiquer que le DCV585 est entré en mode Appairier.

- Tout en continuant de maintenir le bouton Appairier **11**, appuyez sur la gâchette de l'appareil déjà apparié ou appuyez sur la télécommande **14** déjà appariée.
- Le voyant DEL **19** clignotera lentement indiquant que vous avez réussi à désappairier.

REMARQUE : Désappairer un appareil n'est pas requis pour appairer un nouvel appareil avec le DCV585.

FICHE TECHNIQUE DE LA TÉLÉCOMMANDE

Tension	Vdc	3
Durée de vie de la pile		3 ans
Plage du signal		10 m (≤30 pi)
FCC ID		YJ7DCV585
IC		90829-DCV585
Poids		0,017 kg (0,60 oz)

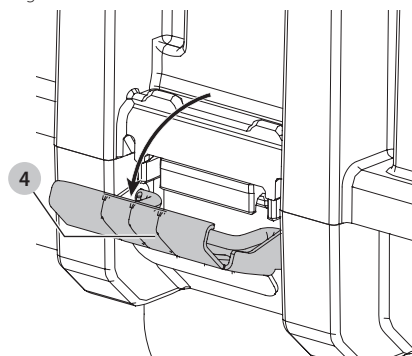
TYPES DE CLIGNOTEMENTS DES VOYANTS DEL

En mode Appairier	-----
Aucun appareil n'est apparié	-----
L'appareil a été apparié avec succès	—————

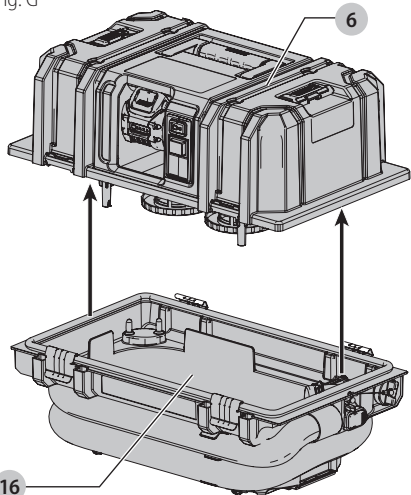
Nettoyage de l'extracteur de poussière Vidange du bac à poussière (Fig. A, F–H)

Lorsque le bac à poussière est plein, le son du moteur change et la succion s'estompe.

- Placez le sélecteur à trois positions **3** à la position « 0 » (Off) et sortez le bloc-piles de son logement.
REMARQUE : Après avoir arrêté l'extracteur de poussière, attendez une période de temps adéquate pour laisser la poussière se déposer dans le fond du bac.
- Déclenchez les attaches de retenue **4**.



3. Retirez la tête de l'extracteur de poussière **6** du bac **16**.
Fig. G



4. Vidangez le contenu du réservoir dans un contenant approprié.
5. Nettoyez ou remplacez les filtres HEPA **18**. Consultez la section **Filtres HEPA** du présent manuel.
6. Inspectez la machine pour détecter tout endommagement par objets étrangers. Pour tout remplacement de pièces endommagées ou manquantes, communiquez avec le Centre de service DEWALT autorisé le plus rapproché.
7. Reposez la tête de l'extracteur de poussière sur le bac.
REMARQUE : La tête de l'extracteur de poussière s'insère seulement dans un sens comme montré à la Figure G.
8. Enclenchez les quatre attaches solidement.
REMARQUE : Durant le nettoyage de l'extracteur de poussière, inspectez les sondes de détection d'eau **27**. Celles-ci pourraient se contaminer à l'emploi. Si c'est le cas, les nettoyer à fond avec un linge humide pour déposer toute accumulation de moisissure.

Empilage en utilisant les verrous d'empilage DEWALT TSTAK^{MD} (Fig. A)

AVERTISSEMENT : si empilé sur un chariot avec d'autres produits, toujours placer l'extracteur de poussière en dessous de l'empilage.

Les verrous d'empilage DEWALT TSTAK^{MD} **10** permettent d'empiler de façon sécuritaire d'autres produits TSTAK^{MD} pour le déplacement pratique de plusieurs produits. Pour se servir des verrous d'empilage TSTAK^{MD} **10**, placez une unité compatible TSTAK^{MD} sur le dessus de l'extracteur de poussière et relevez les deux verrous d'empilage TSTAK^{MD} pour retenir de façon sécuritaire le fond de l'unité supérieure.

Filtres HEPA

AVERTISSEMENT : les filtres doivent toujours être en place lors d'aspirations.

Soins des filtres HEPA

Les filtres HEPA compris avec cet extracteur de poussière sont des filtres longue durée. Pour être efficace à minimiser l'épandage de poussière, particulièrement dans les applications de peinture contenant du plomb (règlement EPA-RRP), le filtre DOIT ÊTRE en bon état et bien installé.

Système de nettoyage automatique de filtre

Cet extracteur de poussière possède un système de nettoyage de filtre très efficace qui minimise les blocages de filtre. Les deux filtres sont automatiquement nettoyés à toutes les 20 secondes. Le processus de nettoyage alterne d'un filtre à l'autre durant toute la vie de l'unité.

REMARQUE : Le son de cliquetis entendu durant ce processus est normal.

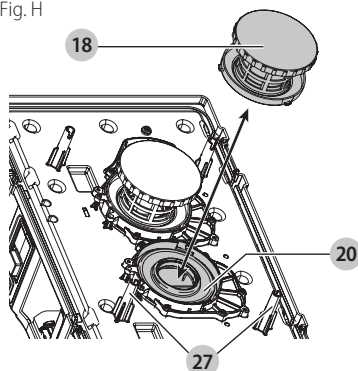
REMARQUE : Après une utilisation prolongée le système de nettoyage automatique pourrait devenir moins efficace. Si cela se produit, le bac à poussière devrait être vidé et les filtres nettoyés ou remplacés.

Dépose des filtres (Fig. A, H)

- Placez le sélecteur à trois positions **3** à la position « O » (Off) et sortir le bloc-piles de son logement.
- Déclenchez les attaches de retenue **4** et retirez la tête de l'extracteur de poussière **6** du bac. Placez la tête de l'extracteur de poussière sur son côté sur une surface plane.
- Tournez chaque filtre HEPA **18** en sens antihoraire et les déposer délicatement de la tête de l'extracteur en vous assurant qu'aucun débris ne tombe dans l'orifice de montage.

REMARQUE : Prenez soin de ne pas endommager les fibres du filtre.

Fig. H



- Inspectez les filtres pour détecter toute usure, déchirure ou autre dommage.

REMARQUE : En cas de tout doute sur la condition des filtres, ceux-ci DEVRONT être remplacés. NE PAS utiliser de filtres endommagés.

- ⚠ AVERTISSEMENT :** ne jamais utiliser d'air comprimé ou une brosse pour nettoyer les filtres, ces méthodes endommageraient la membrane des filtres et laisseraient échapper des poussières. S'il y a lieu, rincez à l'eau à la température de la pièce et laissez sécher. Le nettoyage des filtres est normalement non requis. Même si le filtre est recouvert de poussière, le système de nettoyage automatique maintiendra une performance maximale et peut être utilisé. Si la membrane du filtre a un endommagement visible, remplacez les filtres. Les filtres durent normalement entre six et douze mois, selon l'utilisation et l'entretien.

Repose des filtres (Fig. A, H)

- ⚠ AVERTISSEMENT :** les filtres doivent toujours être en place lors d'aspirations.

1. Assurez-vous que le joint d'étanchéité du filtre **20** est en place et qu'il n'est pas encrassé ou endommagé.
2. Alignez les languettes du filtre HEPA **18** sur les encoches de la tête de l'extracteur de poussière et poussez-le avec force modérée puis tournez-le en sens horaire pour le verrouiller.

REMARQUE : Prenez soin de ne pas endommager les fibres du filtre.

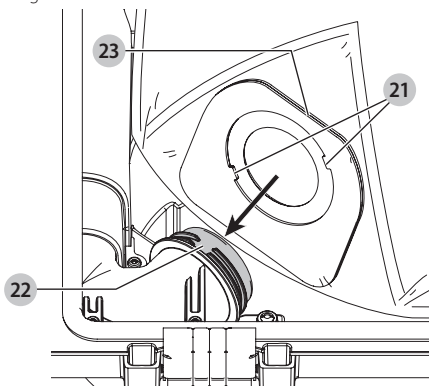
3. Placez la tête de l'extracteur de poussière **6** sur le bac **16** et enclenchez les attaches de fermeture **4**.

Installation du sac de papier ou sac molletonné (Fig. A, G, I)

Pour l'aspiration de particules fines, vous pouvez également utiliser un sac de papier ou de tissu molletonné **12** pour faciliter la vidange du bac **16**.

1. Placez le sélecteur à trois positions **3** à la position « O » (Off) et sortez le bloc-piles de son logement.
2. Désenclenchez les attaches du bac **4** et retirez la tête de l'extracteur de poussière **6** du bac **16**.
3. Fixez le sac en passant ses deux languettes **21** dans les encoches **22** de l'embouchure de sac.
4. Pivotez le sac un quart de tour jusqu'à ce que son arête droite **23** fait face vers le haut.

Fig. I



5. Ajustez le sac à l'intérieur du bac en vous assurant qu'il n'est pas plié ou pincé.

6. Reposez la tête de l'extracteur de poussière sur le bac et re-verrouillez ses attaches.

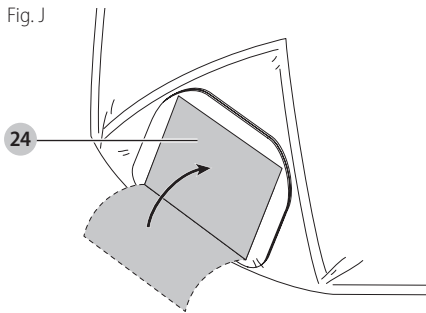
Dépose et disposition du sac (Fig. A, G, J)

1. Placez le sélecteur à trois positions **3** à la position « O » (Off) et sortez le bloc-piles de son logement.
2. Désenclenchez les attaches du bac **4** et retirez la tête de l'extracteur de poussière **6** du bac **16**.

REMARQUE : Il sera normal qu'une petite quantité de poussière s'accumule dans le bac même avec le sac bien installé.

3. Pivotez le sac jusqu'à ce que les deux languettes s'alignent sur les deux encoches de l'extracteur de poussière et déposez le sac.
4. Après l'avoir retiré de l'unité, il pourra être scellé pour disposition.
 - a. Pelez la pellicule de la partie de scellage adhésive **24**.
 - b. Appuyez la partie de scellage adhésive sur l'ouverture du sac et faites-en la disposition. NE PAS réutiliser le sac.

Fig. J

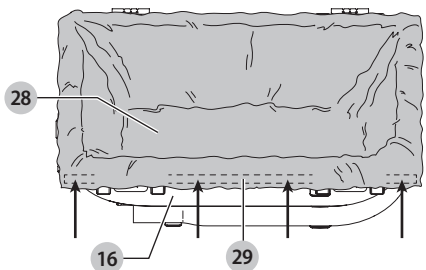


Installation de la doublure plastifiée (Fig. A, I, K)

1. Placez le sélecteur à trois positions **3** à la position « O » (Off) et sortez le bloc-piles de son logement.
2. Désenclenchez les attaches du bac **4** et retirez la tête de l'extracteur de poussière **6** du bac **16**.
3. Installez la doublure plastifiée **28** en passant ses deux languettes **21** dans les encoches **22** de l'embouchure de sac comme montré à la figure I.
4. Pivotez le sac un quart de tour jusqu'à ce que son arête droite **23** fait face vers le haut.

5. Pliez la doublure plastique sur l'arête supérieure du bac.

Fig. K



6. Reposez la tête de l'extracteur de poussière sur le bac et re-verrouillez ses attaches.

Dépose et disposition de la doublure plastifiée (Fig. A, I, K)

1. Placez le sélecteur à trois positions **3** à la position « O » (Off) et sortez le bloc-piles de son logement.
2. Désenclenchez les attaches du bac **4** et retirez la tête de l'extracteur de poussière **6** du bac **16**.
REMARQUE : Il sera normal qu'une petite quantité de poussière s'accumule dans le bac même avec la doublure plastique bien installée.
3. Pelez le dos du ruban adhésif **29** le long de l'arête de la doublure plastifiée et scellez la doublure.
4. Pivotez la doublure plastifiée jusqu'à ce que les deux languettes s'alignent sur les deux encoches de l'extracteur de poussière et déposez la doublure.
5. Pelez la pellicule de la partie de scellage adhésive **24** comme montré à la Figure J.
6. Appuyez la partie de scellage adhésive sur l'ouverture du sac et faites-en la disposition. NE PAS réutiliser le sac.

MAINTENANCE

⚠ AVERTISSEMENT : *pour réduire le risque de blessures graves, éteindre l'outil et retirer le bloc-piles avant d'effectuer tout réglage et d'enlever ou d'installer tout accessoire. Un démarrage accidentel peut provoquer des blessures.*

Nettoyage

⚠ AVERTISSEMENT : *à l'aide d'un linge humide, enlevez la poussière des événements au moins une fois par semaine. Portez toujours une protection oculaire et respiratoire ANSI Z87.1 (CAN/CSA Z94.3) conformément aux exigences de l'OSHA ou d'autres institutions gouvernementales/provinciales pour l'application étant effectuée.*

⚠ AVERTISSEMENT : *ne jamais utiliser de solvants ni d'autres produits chimiques puissants pour nettoyer les pièces non métalliques de l'outil. Ces produits chimiques peuvent affaiblir les matériaux de plastique utilisés dans ces pièces. Utiliser un chiffon humecté uniquement d'eau et de savon doux.*

Accessoires

⚠ AVERTISSEMENT : *puisque les accessoires autres que ceux offerts par DEWALT n'ont pas été testés avec ce produit, leur utilisation pourrait s'avérer dangereuse. Pour réduire le risque de blessures, utiliser exclusivement les accessoires DEWALT recommandés avec le présent produit.*

Les accessoires recommandés pour cet outil sont vendus séparément au centre de service de votre région. Pour obtenir de l'aide concernant l'achat d'un accessoire, communiquer avec DEWALT, composer le 1 800 433-9258 (1 800 4-DEWALT) ou visiter notre site Web : www.dewalt.com.

Des filtres de remplacement sont disponibles à un coût supplémentaire à votre Centre de service DEWALT local.

Système de dé poussiérage

En mode d'aspiration, l'appareil peut aussi fonctionner comme système de dé poussiérage pour des outils électriques dont l'utilisation produit de la poussière ou des débris.

IMPORTANT ! La buse de dé poussiérage DWV9000 a été conçue pour fonctionner avec les outils électriques DEWALT compatibles avec un système de dé poussiérage. Un adaptateur supplémentaire sera nécessaire avec les outils DEWALT non compatibles.

Accessoires en option

DCS151H	Filtre HEPA : Capture 99,97 % de toutes les particules supérieures ou égales à 0,3 micron. Requis pour aspirer les débris des peintures au plomb.
DWE46100	Carter de coupe/tronçonnage 127 mm–152 mm (5 po–6 po)
DWE46101	Kit de carter de coupe/tronçonnage 127 mm–152 mm (5 po–6 po)
D25301D	Adaptateur de dé poussiérage
DWE46150	Carter de coupe/tronçonnage 127 mm (5 po)
DWE46152	Coiffe de revêtement 127 mm (5 po)
DWH050K	Système universel de dé poussiérage de forage DWH050
DWH052K	Dépoussiéreur pour marteau perforateur de démolition 1-1/8 po DWH052
DWH053K	Dépoussiéreur de piquage de cannelures et SDS MAX DWH053
DWV9316	4,57 m (15 pi) Tuyau antistatique 1-1/4 po boyau
DWST17889	Chariot
DWST17888	Trolley

Les sacs-filtres permettent d'éliminer facilement, rapidement et proprement la poussière collectée.

Sacs-filtres papier : Les sacs-filtres DCV9401 ont été conçus pour retenir de nombreux types de poussières y compris celles du placoplâtre, du béton, et du bois. Ils permettent d'atteindre des niveaux de performance de filtration de 99,9 % à 2 microns. Ces sacs doivent être changés lorsque la circulation d'air est trop limitée. NE PAS réutiliser ces sacs.

	DCV9401	Sac-filtre papier jetable
---	---------	---------------------------

Sac-filtre molletonné : Le sac molletonné DCV9402 a été conçu pour retenir de nombreux types de poussières y compris celles du placoplâtre, du béton, et du bois. Il permet d'obtenir des niveaux de performance de filtrage de 95 % à 0,3 micron. Ce sac doit être remplacé lorsque la circulation d'air est trop limitée. NE PAS réutiliser ce sac. Ce sac molletonné est idéal pour des matériaux plus lourds comme la poussière du béton ou du placoplâtre, là où les sacs-filtres papier pourraient se déchirer.

	DCV9402	Sac plastique de récupération jetable
--	---------	---------------------------------------

Les doublures plastifiées jetables du DCV9400 sont conçues pour sceller la doublure à l'entrée du bac sans être aspirées dans le filtre lors de l'utilisation. La doublure

Accessoires en option

DCS151H	Filtere HEPA : Capture 99,97 % de toutes les particules supérieures ou égales à 0,3 micron. Requis pour aspirer les débris des peintures au plomb.
DWE46100	Carter de coupe/tronçonnage 127 mm–152 mm (5 po–6 po)
DWE46101	Kit de carter de coupe/tronçonnage 127 mm–152 mm (5 po–6 po)
D25301D	Adaptateur de dépoussiérage
DWE46150	Carter de coupe/tronçonnage 127 mm (5 po)
DWE46152	Coiffe de revêtement 127 mm (5 po)
DWH050K	Système universel de dépoussiérage de forage DWH050
DWH052K	Dépoussiéreur pour marteau perforateur de démolition 1-1/8 po DWH052
DWH053K	Dépoussiéreur de piquage de cannelures et SDS MAX DWH053
DWW9316	4,57 m (15 pi) Tuyau antistatique 1-1/4 po boyau
DWST17889	Chariot
DWST17888	Trolley

Les sacs-filtres permettent d'éliminer facilement, rapidement et proprement la poussière collectée.

Sacs-filtres papier : Les sacs-filtres DCV9401 ont été conçus pour retenir de nombreux types de poussières y compris celles du placoplâtre, du béton, et du bois. Ils permettent d'atteindre des niveaux de performance de filtration de 99,9 % à 2 microns. Ces sacs doivent être changés lorsque la circulation d'air est trop limitée. NE PAS réutiliser ces sacs.

	DCV9401	Sac-filtre papier jetable
--	---------	---------------------------


Sac-filtre molletonné : Le sac molletonné DCV9402 a été conçu pour retenir de nombreux types de poussières y compris celles du placoplâtre, du béton, et du bois. Il permet d'obtenir des niveaux de performance de filtrage de 95 % à 0,3 micron. Ce sac doit être remplacé lorsque la circulation d'air est trop limitée. NE PAS réutiliser ce sac. Ce sac molletonné est idéal pour des matériaux plus lourds comme la poussière du béton ou du placoplâtre, là où les sacs-filtres papier pourraient se déchirer.

	DCV9402	Sac plastique de récupération jetable
---	---------	---------------------------------------

Les doublures plastifiées jetables du DCV9400 sont conçues pour sceller la doublure à l'entrée du bac sans être aspirées dans le filtre lors de l'utilisation. La doublure plastifiée jetable facilite le nettoyage et la mise au rebut de la poussière et prévient l'échappement de poussières dans l'atmosphère lors de la vidange. Puisque cette doublure est spécialement conçue pour demeurer en place, sans être aspirée dans le filtre, une faible quantité de poussière demeurera dans le bac.

	DCV9400	Doublure de collecte jetable en plastique
---	---------	---

Stockage du tuyau et des accessoires (Fig. A)

Lorsque l'extracteur de poussière n'est pas en service, le boyau peut être enroulé autour du bac de l'appareil et maintenu par les pinces de boyau  situées sur l'extracteur de poussière.

Réparations

Le chargeur et le bloc-piles ne sont pas réparables. Le chargeur ou le bloc-piles ne comportent aucune pièce réparable.



AVERTISSEMENT : pour assurer la **SÉCURITÉ** et la **FIABILITÉ** du produit, les réparations, l'entretien et les réglages doivent être réalisés (cela comprend l'inspection et le remplacement du balai, le cas échéant) par un centre de réparation en usine DeWALT ou un centre de réparation agréé DeWALT. Toujours utiliser des pièces de rechange identiques.

Registre en ligne

Merci pour votre achat. Enregistrez dès maintenant votre produit :

- **RÉPARATIONS SOUS GARANTIE :** cette carte remplie vous permettra de vous prévaloir du service de réparations sous garantie de façon plus efficace dans le cas d'un problème avec le produit.
- **CONFIRMATION DE PROPRIÉTÉ :** en cas de perte provoquée par un incendie, une inondation ou un vol,

cette preuve de propriété vous servira de preuve auprès de votre compagnie d'assurances.

- **SÉCURITÉ:** l'enregistrement de votre produit nous permettra de communiquer avec vous dans l'éventualité peu probable de l'envoi d'un avis de sécurité régi par la loi fédérale américaine de la protection des consommateurs.

Registre en ligne à www.dewalt.com

Garantie limitée de trois ans

DeWALT réparera ou remplacera sans frais tout appareil défectueux pour cause de défaut de matériau ou de main-d'œuvre sur une période de trois ans à partir de la date d'achat de l'outil (deux ans pour les bloc-piles). Cette garantie ne couvre pas les pièces en panne pour cause d'abus ou d'usure normale de l'outil. Pour plus de détails au sujet de la couverture de la garantie et l'information de réparation sous garantie, visitez www.dewalt.com ou composez le 1-800-4-DeWALT (1-800-433-9258). Cette garantie ne s'applique pas aux accessoires ou dommages causés par des réparations effectuées ou tentées par d'autres. CETTE GARANTIE REMPLACE TOUTES LES AUTRES, INCLUANT LES GARANTIES IMPLICITES DE LA QUALITÉ MARCHANDE ET L'APTITUDE POUR UN BUT PARTICULIER, ET EXCLUT TOUS LES DOMMAGES ACCIDENTELS OU CONSÉCUTIFS. Certaines provinces ne permettent pas de limitation sur la durée de la garantie implicite ou l'exclusion ou la limitation de dommages indirects, alors ces limitations peuvent ne pas s'appliquer à vous. Cette garantie vous donne des droits légaux particuliers et vous pouvez avoir d'autres droits qui varient selon les états ou les provinces. En plus de la présente garantie, les outils, DeWALT sont couverts par notre

CONTRAT D'ENTRETIEN GRATUIT D'UN AN

DeWALT entretiendra l'outil et remplacera les pièces usées au cours d'une utilisation normale et ce, gratuitement, pendant une période d'un an à compter de la date d'achat.

CONTRAT D'ENTRETIEN GRATUIT DE DEUX ANS SUR LES BLOC-PILES DeWALT

DC9071, DC9091, DC9096, DC9182, DC9280, DC9360, DCB120, DCB127, DCB201, DCB203BT, DCB207, DCB361

CONTRAT D'ENTRETIEN GRATUIT DE TROIS ANS SUR LES BLOC-PILES DeWALT

DCB200, DCB203, DCB204, DCB204BT, DCB205, DCB205BT, DCB206, DCB230, DCB606, DCB609, DCB612

REMARQUE : la garantie de se produit sera annulée si le bloc-piles a été altéré de quelque façon que ce soit. DeWALT ne peut être tenu responsable de tout dommage corporel causé par l'altération du produit et pourra poursuivre toute fraude en matière de garantie dans toute l'étendue permise par la loi.

GARANTIE DE REMBOURSEMENT DE 90 JOURS

Si l'acheteur n'est pas entièrement satisfait, pour quelque raison que ce soit, du rendement de l'outil électrique ou de la cloueuse DeWALT, celui-ci peut le retourner, accompagné d'un reçu, dans les 90 jours à compter de la

date d'achat pour obtenir un remboursement intégral, sans aucun problème.

AMÉRIQUE LATINE : cette garantie ne s'applique aux produits vendus en Amérique latine. Pour ceux-ci, veuillez consulter les informations relatives à la garantie spécifique présente dans l'emballage, appeler l'entreprise locale ou consulter le site Web pour les informations relatives à cette garantie.

REPLACEMENT GRATUIT DES ÉTIQUETTES

D'AVERTISSEMENT : si les étiquettes d'avertissement deviennent illisibles ou sont manquantes, composer le 1-800-4-DeWALT (1-800-433-9258) pour en obtenir le remplacement gratuit.



Certificat de conformité

Les aspirateurs extracteurs de poussière DEWALT (DCV585) sont fabriqués conformément aux normes 1017 des Stations d'essais-Laboratoire du feu (Underwriters Laboratories, UL) et C22.2 N° 243-01 de l'Association canadienne de normalisation (CSA).

Ces aspirateurs sont aussi conformes aux spécifications des aspirateurs HEPA, comme défini par la norme Rénovation, Réparations et Peintures (40 CFR Part 745) de l'Agence de protection de l'environnement américaine (EPA) lorsqu'utilisés avec les filtres HEPA DC5151H.

Le filtre HEPA DC5151H a été testé selon la norme IEST-RP-CC001.5,7.2 par un laboratoire tiers indépendant et il a été confirmé qu'il peut retenir les particules de 0,3 microns à un rendement de 99,97 %.

DÉPANNAGE

Problème	Causes possibles	Étapes de dépannage
Le moteur ne fonctionne pas.	Le sélecteur n'est pas à la position « 1 » (On).	S'assurer que le commutateur à trois positions est à la position « 1 » (On).
	Tension de bloc-piles basse/mauvais contact des bornes.	S'assurer que le bloc-piles est pleinement rechargé et complètement inséré.
	Le réservoir est plein de liquide et le circuit de détection est déclenché.	Bac vide.
L'extracteur de poussière arrête de fonctionner.	La protection de surchauffe pour cause de surcharge s'est déclenchée.	<ol style="list-style-type: none"> 1. Placer le sélecteur de l'extracteur de poussière à la position « 0 » (Off) et déposer le bloc-piles. 2. Au besoin, vidanger le réservoir. 3. Laissez le dépoussiéreur se refroidir pendant 5 minutes. 4. Réinsérer le bloc-piles et placer le sélecteur à trois positions à la position « 1 » (On) pour faire un essai. 5. Si l'extracteur de poussière ne se remet pas en marche, composer 1-800-4DEWALT (1-800-433-9258).
	Le réservoir est plein de liquide et le circuit de détection est déclenché.	Bac vide.
	Le bloc-piles est déchargé.	Insérer un bloc-piles entièrement rechargé.
	Le bloc-piles n'est pas complètement inséré.	Déposer et réinsérer le bloc-piles.
	Le dépoussiéreur est en mode Wireless Tool Control™ (Ⓚ)	Assurez-vous que le sélecteur à trois positions est en position Marche (I) ou est bien apparié à la télécommande ou l'outil désiré.
De la poussière s'échappe de l'unité durant l'utilisation.	Les filtres ne sont pas bien installés.	Déposer et réinstaller en suivant la procédure appropriée.
	Les filtres sont endommagés ou tordus.	Remplacer les filtres.
	Les joints d'étanchéité des filtres sont endommagés.	Contactez un centre de service DeWALT.
	La tête n'est pas bien montée sur le bac.	Déposer et réinstaller en s'assurant que les attaches sont enclenchées.
	Le joint d'étanchéité de la tête est endommagé.	Contactez un centre de service DeWALT.
L'extracteur de poussière n'aspire plus la poussière.	Les filtres sont obstrués.	Déposer les filtres, les tapoter pour dégager la poussière et les réinstaller.
	Les filtres sont à la fin de leur vie utile.	Remplacer les filtres.
	Le système de nettoyage automatique des filtres ne fonctionne plus.	Si le cliquetis du système de nettoyage des filtres ne se produit plus à toutes les 20 secondes, contactez un centre de service DeWALT.
	Réservoir plein.	Arrêter l'unité et vidanger le réservoir.
	Le boyau est bloqué.	Inspecter et dégager le blocage si trouvé.
	Le boyau n'est pas complètement connecté au bac.	Réinsérer et s'assurer que la fixation du boyau est complètement engagée.
	Le boyau est endommagé.	Inspecter le boyau pour détecter toute perforation ou déchirure. Si endommagé, le remplacer.

DÉPANNAGE

Problème	Causes possibles	Étapes de dépannage
Le dépolvéiúeur ne se met pas en marche par une télécommande ou un outil électrique muni du système Wireless Tool Control™.	L'extracteur de poussière n'est pas en mode (0) « Wireless Tool Control™ ».	Placez le sélecteur à trois positions à la position (0) Wireless Tool Control™. Suivre la procédure d'appariement. Si le voyant DEL ne s'allume pas après l'appariement alors que le sélecteur à trois positions est en mode Wireless Tool Control™ (0), contactez un centre de service DeWALT.
	La télécommande ou l'outil électrique n'est pas apparié à l'extracteur de poussière.	Suivre la procédure d'appariement.
	La télécommande ou l'outil électrique est hors de la portée limite de l'extracteur de poussière.	Rapprocher l'extracteur de poussière de la télécommande (ou vice-versa)/de l'outil électrique.
	La pile « pièce de monnaie » de la télécommande Wireless Tool Control™ est à plat.	Remplacer la pile et réessayer.
	Le bloc-piles de l'outil apparié est déchargé.	S'assurer que le bloc-piles de l'outil apparié est pleinement rechargé et complètement inséré.
	Tension de bloc-piles basse/mauvais contact des bornes.	S'assurer que le bloc-piles est pleinement rechargé et complètement inséré.
	Le réservoir est plein de liquide et le circuit de détection est déclenché.	Bac vide.
L'outil ne s'apparie pas.	L'extracteur de poussière n'est pas en mode (0) « Wireless Tool Control™ ».	Placez le sélecteur à trois positions à la position (0) Wireless Tool Control™. Suivre la procédure d'appariement. Si le voyant DEL ne s'allume pas après l'appariement alors que le sélecteur à trois positions est en mode Wireless Tool Control™ (0), contactez un centre de service DeWALT.
	L'outil n'est pas muni du système Wireless Tool Control™.	Confirmer que l'outil est compatible « Wireless Tool Control™ ».

Definiciones: Símbolos y Palabras de Alerta de Seguridad

Este manual de instrucciones utiliza los siguientes símbolos y palabras de alerta de seguridad para alertarle de situaciones peligrosas y del riesgo de lesiones corporales o daños materiales.

! **PELIGRO:** Indica una situación de peligro inminente que, si no se evita, provocará **la muerte o lesiones graves**.

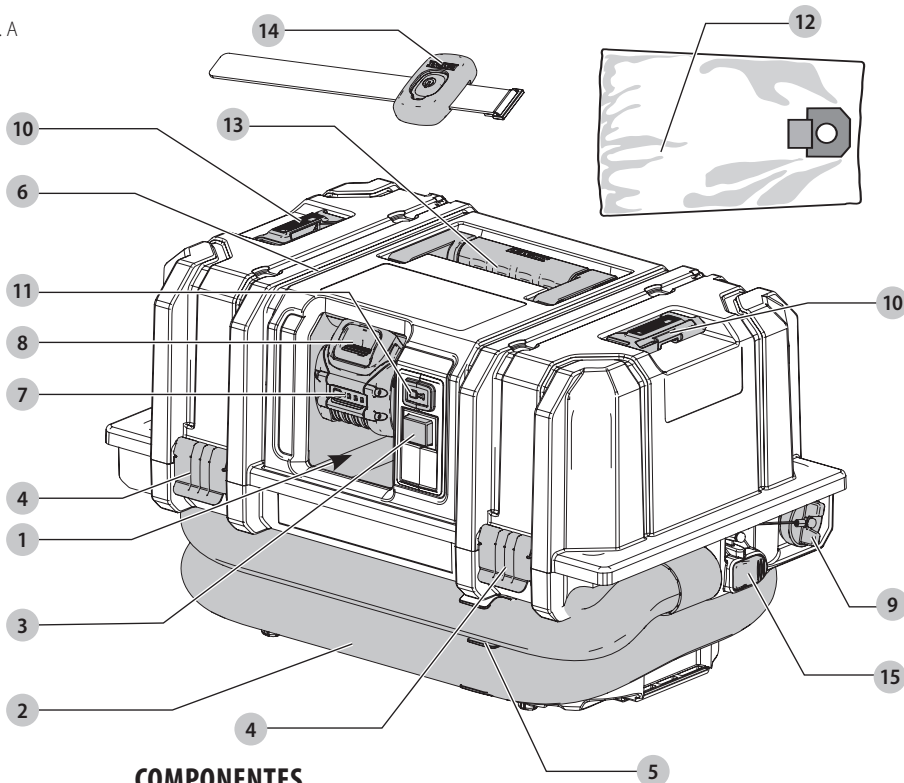
! **ADVERTENCIA:** Indica una situación de peligro potencial que, si no se evita, **podría provocar la muerte o lesiones graves**.

! **ATENCIÓN:** Indica una situación de peligro potencial que, si no se evita, **posiblemente provocaría lesiones leves o moderadas**.

! (Utilizado sin palabras) indica un mensaje de seguridad relacionado.

AVISO: Se refiere a una práctica **no relacionada a lesiones corporales** que de no evitarse **puede resultar en daños a la propiedad**.

Fig. A



COMPONENTES

- | | |
|---------------------------------------|--|
| 1 Puerto de la batería | 8 Botón de liberación en la batería |
| 2 Manguera del extractor de polvo | 9 Entrada de la manguera |
| 3 Interruptor de tres posiciones | 10 Seguros de apilamiento DEWALT TSTAK® |
| 4 Seguros del tanque | 11 Botón de conexión de Wireless Tool Control™ |
| 5 Sujetadores de manguera | 12 Bolsa de paño |
| 6 Cabeza del extractor de polvo | 13 Manija |
| 7 Batería (no incluido en el DCV585B) | 14 Control remoto de Wireless Tool Control™ |
| | 15 Liberación de la manguera |

! **ADVERTENCIA:** Lea todas las advertencias de seguridad e instrucciones. El incumplimiento de las advertencias e instrucciones puede provocar descargas eléctricas, incendios o lesiones graves.

! **ADVERTENCIA:** Nunca modifique la herramienta eléctrica, ni tampoco ninguna de sus piezas. Podría producir lesiones corporales o daños.

! **ADVERTENCIA:** Para reducir el riesgo de lesiones, lea el manual de instrucciones.

Si tiene alguna duda o algún comentario sobre ésta u otra herramienta DEWALT, llámenos al número gratuito: 1-800-4-DEWALT (1-800-433-9258).

Extractor de Polvo FLEXVOLT™ HEPA 60 V Máx* DCV585

INSTRUCCIONES DE SEGURIDAD IMPORTANTES

LEA TODAS LAS INSTRUCCIONES ANTES DE USAR ESTE APARATO

Cuando use este aparato, siempre se deben seguir las precauciones de seguridad básicas, incluyendo las siguientes:

- ⚠ ADVERTENCIA:** Para reducir el riesgo de incendios, descarga eléctrica, y lesiones:
- **No deje el aparato desatendido cuando esté conectado a la fuente de energía.** Retire el paquete de batería cuando no esté en uso y antes de dar servicio.
 - **No lo exponga a la lluvia.** Almacene en interiores.
 - **No permita que el aparato se use como un juguete.** Se necesita poner atención cuando sea usado por o cerca de niños.
 - **SÓLO use este aparato como se describe en este manual.** Use sólo accesorios recomendados.
 - **No use este aparato si muestra señales de falla de cualquier manera.** Si el aparato no funciona correctamente, se ha dejado caer, se dañó, se dejó en exteriores, o se dejó caer en agua, regréselo a un centro de servicio.
 - No maneje el aparato con las manos húmedas.
 - **No coloque ningún objeto en las aberturas del aparato.** No use el aparato con ninguna abertura bloqueada; manténgalo libre de polvo, pelusa, cabello y cualquier cosa que pueda reducir el flujo de aire.
 - Mantenga el cabello, ropa suelta, los dedos y todas las partes del cuerpo alejados de las aberturas y partes móviles.
 - Apague todos los controles antes de desconectar de la fuente de energía.
 - Tenga cuidado adicional cuando limpie en escaleras.

CONSERVE ESTAS INSTRUCCIONES

Advertencias de Seguridad Adicionales

- a) **Evite el arranque no intencional.** Asegure que el interruptor esté en la posición apagada antes de conectar al paquete de batería, recoger o transportar el aparato. Transportar el aparato con su dedo en el interruptor o energizar los aparatos que tengan el interruptor encendido puede provocar accidentes.

- b) **Desconecte el paquete de la batería del aparato antes de realizar cualquier ajuste, cambiar accesorios, o guardar el aparato.** Tales medidas preventivas de seguridad reducen el riesgo de encender el aparato por accidente.
- c) **Sólo recargue con el cargador especificado por el fabricante.** Un cargador que es adecuado para un tipo de paquete de batería puede crear un riesgo de incendio cuando se use con otro tipo de batería.
- d) **Use aparatos únicamente con los paquetes de batería designados específicamente.** El uso de cualquier otro paquete de batería puede crear un riesgo de lesiones e incendio.
- e) **Cuando el paquete de batería no esté en uso, manténgalo alejado de otros objetos metálicos, como sujetadores de papel, monedas, llaves, clavos, tornillos u otros objetos metálicos pequeños, que puedan hacer una conexión de una terminal a la otra.** Poner en corto las terminales de la batería puede causar quemaduras o un incendio.
- f) **Bajo condiciones abusivas, el líquido puede ser expulsado de la batería; evite el contacto. Si ocurre contacto accidentalmente, lave con agua. Si el líquido hace contacto con los ojos, busque ayuda médica adicional.** El líquido expulsado de la batería puede causar irritación o quemaduras.
- g) **No use un paquete de batería que esté dañado o modificado.** Las baterías dañadas o modificadas pueden presentar comportamiento imprevisto que resulte en incendio, explosión o riesgo de lesiones.
- h) **No exponga un paquete de batería o aparato a fuego o temperatura excesiva.** La exposición a fuego o temperatura mayor a 130°C puede causar una explosión. La temperatura de 130°C se puede reemplazar por la temperatura de 265°F.
- i) **Pida que el servicio sea realizado por una persona de reparación calificada usando únicamente partes de reemplazo idénticas.** Esto garantizará que se mantenga la seguridad del producto.

CONSERVE ESTAS INSTRUCCIONES

Reglas de Seguridad Específicas para Extractores de Polvo

- ⚠ ADVERTENCIA:** Para reducir el riesgo de incendios, descarga eléctrica, y lesiones:
- No recoja nada que esté encendido o humeando, tal como cigarrillos, cerillos, o cenizas calientes.
 - No lo use sin el filtro en su lugar.

Advertencias de Seguridad Suplementarias para Extractores de Polvo

- Este extractor de polvo cumple con la Regla de renovaciones, reparación y pintura (RRP) relacionadas con el plomo de la EPA para aspiradoras HEPA sólo cuando se utiliza con los dos filtros HEPA DC5151H. (incluido con DCV585).

Comuníquese con la Agencia de Protección Ambiental de los Estados Unidos (EPA) para obtener más información sobre su Regla de renovación, reparación y pintura (RRP).

- Este extractor de polvo está aprobado para su uso en aplicaciones de recolección de polvo OSHA Sílice 1926.1153 cuando se utiliza adecuadamente de acuerdo con la norma OSHA 1926.1153.
- No utilice para aspirar materiales explosivos combustibles, como carbón, grano u otro material combustible dividido finamente.
- No use para aspirar materiales peligrosos, tóxicos o cancerígenos, como asbesto o pesticidas, a menos que el aspirado del material esté específicamente identificado en este manual de instrucciones como un uso aprobado.
- Nunca recoja líquidos explosivos (por ejemplo, gasolina, combustible diesel, aceite de calefacción, diluyente de pintura, etc.), ácidos o solventes.
- Las descargas estáticas son posibles en áreas secas o cuando la humedad relativa del aire es baja. Esto es sólo temporal y no afecta el uso del extractor de polvo.
- Para evitar la combustión espontánea, vacíe el recipiente después de cada uso.
- Algunas maderas contienen conservadores que pueden ser tóxicos. Tenga mucho cuidado para evitar la inhalación y el contacto con la piel cuando trabaje con estos materiales. Solicite y siga cualquier información de seguridad disponible de su proveedor de materiales.
- NUNCA SE DEBE COLOCAR O SENTARSE SOBRE EL EXTRACTOR DE POLVO.** Podrían producirse lesiones graves si el extractor de polvo se inclina.
- Cuando lo use con un carro o carretilla aprobados por el fabricante, tenga cuidado al moverlo para evitar que se vuelque.
- Al apilar, siempre coloque el extractor de polvo en la parte inferior.
- La manija es sólo para transporte.
- Levante y transporte el extractor de polvo sólo por la manija. Si se monta en un carro o carretilla aprobados por el fabricante, transporte sólo por medio de la manija del carro o de la carretilla.

Instrucción Adicional de Seguridad



- ADVERTENCIA:** Use **SIEMPRE** lentes de seguridad. Los anteojos de diario **NO SON** lentes de seguridad. Utilice además una cubrebocas o mascarilla antipolvo si la operación de corte genera demasiado polvo. **SIEMPRE LLEVE EQUIPO DE SEGURIDAD CERTIFICADO:**
- protección ocular ANSI Z87.1 (CAN/CSA Z94.3),
 - protección auditiva ANSI S12.6 (S3.19),



- protección respiratoria NIOSH/OSHA/MSHA.
- ADVERTENCIA:** Algunas partículas de polvo generadas al lijar, serrar, esmerilar y taladrar con herramientas eléctricas, así como al realizar otras actividades de construcción, contienen químicos que el Estado de California sabe que pueden producir cáncer, defectos congénitos u otras afecciones reproductivas. Ejemplos de estos químicos son:
 - plomo de algunas pinturas en base a plomo,
 - polvo de sílice proveniente de ladrillos y cemento y otros productos de albañilería, y
 - arsénico y cromo provenientes de madera tratada químicamente.

Su riesgo de exposición a estos químicos varía, dependiendo de la frecuencia con la cual realiza usted este tipo de trabajo. Para reducir su exposición a estas sustancias químicas: trabaje en una zona bien ventilada y llevando equipos de seguridad aprobados, como mascarillas antipolvo especialmente diseñadas para filtrar partículas microscópicas.

- Evite el contacto prolongado con polvo generado por el lijado, aserrado, pulido, taladrado y otras actividades de construcción. Vista ropas protectoras y lave las áreas de la piel expuestas con agua y jabón.** Si permite que el polvo se introduzca en la boca u ojos o quede sobre la piel, puede favorecer la absorción de productos químicos peligrosos.



ADVERTENCIA: La utilización de esta herramienta puede generar polvo o dispersarlo, lo que podría causar daños graves y permanentes al sistema respiratorio, así como otras lesiones. Siempre use protección respiratoria aprobada por NIOSH (Instituto Nacional de Seguridad y Salud en el Trabajo) u OSHA (Administración de Seguridad y Salud en el Trabajo) apropiada para la exposición al polvo. Dirija las partículas en dirección contraria a la cara y el cuerpo.



ADVERTENCIA: Siempre lleve la debida protección auditiva personal en conformidad con ANSI S12.6 (S3.19) durante el uso de esta herramienta. Bajo algunas condiciones y duraciones de uso, el ruido producido por este producto puede contribuir a la pérdida auditiva.



ATENCIÓN: Cuando no esté en uso, coloque la herramienta sobre una superficie estable donde no cause un peligro de tropiezo o caída.

- Los orificios de ventilación suelen cubrir piezas en movimiento, por lo que también se deben evitar.** Las piezas en movimiento pueden atrapar prendas de vestir sueltas, joyas o el cabello largo.

La etiqueta de su herramienta puede incluir los siguientes símbolos. A continuación se indican los símbolos y sus definiciones:

V	voltios		Construcción de Clase I (tierra)
Hz	hertz	.. /min	por minuto
min	minutos	== or DC	direct current
		BPM	golpes por minuto

IPM.....	impactos por minuto	n ₀	velocidad sin carga
RPM.....	revoluciones por minuto	IPXX.....	símbolo IP
sfpm.....	pies de superficie por minuto	n.....	velocidad nominal
SPM.....	pasadas por minuto	⊕.....	terminal de conexión a tierra
OPM.....	oscilaciones por minuto	⚠.....	símbolo de advertencia de seguridad
A.....	amperios	☀.....	radiación visible
W.....	watios	☁.....	protección respiratoria
~ or AC.....	corriente alterna	👁.....	protección ocular
⎓ or AC/DC.....	corriente alterna o directa	👂.....	protección auditiva
☑.....	Construcción de Clase II (doble aislamiento)	📖.....	lea toda la documentación

- *Cargue las unidades de batería sólo en los cargadores designados por DeWALT.*
- **NO salpique con ni sumerja en agua u otros líquidos.**
- **No guarde ni use la herramienta y unidad de batería en lugares donde la temperatura pueda alcanzar o superar los 40 °C (104 °F), tales como cobertizos o construcciones de metal durante el verano.** Almacene las unidades de batería en lugares frescos y secos para maximizar su vida útil.
NOTA: No almacene las unidades de batería en la herramienta con el interruptor de gatillo en posición encendida fija. Nunca use cinta adhesiva para mantener el interruptor de gatillo en posición ENCENDIDA.
- **No incinere la unidad de batería, aunque esté completamente dañada o descargada. La unidad de batería puede explotar si se quema.** Cuando se queman unidades de batería de iones de litio, se producen gases y materiales tóxicos.
- **Si el contenido de la batería entra en contacto con la piel, lave el área de inmediato con agua y un jabón suave.** Si el líquido de la batería entra en contacto con sus ojos, enjuéguelos con agua y los ojos abiertos por 15 minutos o hasta que cese la irritación. Si se requiere de asistencia médica, el electrolito de la batería está compuesto por una mezcla de carbonatos orgánicos líquidos y sales de litio.
- **El contenido de los elementos abiertos de la batería puede causar irritación en el tracto respiratorio.** Salga al aire fresco. Si los síntomas persisten, busque asistencia médica.

BATERÍAS Y CARGADORES

La batería no viene completamente cargada de fábrica. Antes de utilizar la batería y el cargador, lea las siguientes instrucciones de seguridad y luego siga los procedimientos de carga indicados. Cuando pida baterías de repuesto, no olvide indicar el número de catálogo y el voltaje.

LEA TODAS LAS INSTRUCCIONES

Instrucciones de Seguridad Importantes Para Todas las Unidades de Batería

- **ADVERTENCIA:** Lea todas las advertencias de seguridad, instrucciones y marcas de precaución para el paquete de la batería, el cargador y el producto. No seguir las advertencias y las instrucciones puede provocar una descarga eléctrica, un incendio y/o lesiones graves.
- **No cargue o use la unidad de batería en atmósferas explosivas, como en presencia de líquidos, gases o polvos inflamables.** Puede que al insertar o sacar la unidad de batería del cargador se inflamen el polvo o los gases.
- **Cuando el paquete de batería no esté en uso, manténgalo alejado de otros objetos metálicos, como sujetadores de papel, monedas, llaves, clavos, tornillos, u otros objetos pequeños de metal que puedan hacer una conexión de una terminal a otra.** Conectar en corto circuito las terminales de la batería puede causar quemaduras o un incendio.
- **NUNCA fuerce la unidad de batería para que entre en el cargador. NO modifique la unidad de batería en ninguna forma para que entre en un cargador no compatible, pues puede producir una ruptura en la unidad de batería y causar lesiones corporales graves.** Consulte la tabla al final de este manual para ver la compatibilidad entre baterías y cargadores.

- **ADVERTENCIA:** Peligro de quemaduras. El líquido de la batería puede ser inflamable si se expone a chispas o llamas.
- **ADVERTENCIA:** Peligro de incendio. Nunca intente abrir la unidad de batería por ningún motivo. Si la caja exterior de la unidad de batería se triza o daña, no la introduzca en el cargador. No triture, deje caer o dañe la unidad de batería. No use una unidad de batería o un cargador que haya sido golpeado, dejado caer, atropellado o dañado en cualquier forma (por ejemplo, perforado por un clavo, golpeado con un martillo, pisado). Lleve sus unidades de batería dañadas al centro de servicio para que sean recicladas.

Recomendaciones de Almacenamiento

1. El mejor lugar de almacenamiento es uno que sea fresco y seco, lejos de la luz solar directa y del exceso de calor o frío.
 2. Para resultados óptimos durante tiempos prolongados de almacenamiento, se recomienda almacenar la unidad de batería completamente cargada en un lugar fresco y seco fuera del cargador.
- NOTA:** Las unidades de batería no deberían almacenarse completamente descargadas. La unidad de batería deberá recargarse antes de ser usada.

Instrucciones de Limpieza del Batería

1. Para limpiar la suciedad y grasa del exterior del cargador puede usarse un paño o cepillo suave no metálico. No use agua ni soluciones limpiadoras.

El sello RBRC®

El sello RBRC® (Rechargeable Battery Recycling Corporation) en las baterías (unidades de batería) de níquel cadmio, níquel e hidruro metálico o de iones de litio indica que el costo de reciclaje de estas baterías (o unidades de batería) al llegar al final de su vida de servicio ya ha sido pagado por DEWALT. En algunas áreas, es ilegal depositar baterías de níquel cadmio, níquel e hidruro metálico o de iones de litio gastadas en la basura o la corriente de residuos sólidos urbanos; el programa Call 2 Recycle® proporciona una alternativa ecológica.

Call 2 Recycle, Inc., en cooperación con DEWALT y otros usuarios de baterías, han establecido programas en los Estados Unidos y Canadá para facilitar la recolección de baterías de níquel cadmio, níquel e hidruro metálico o de iones de litio gastadas. Al llevar sus baterías de níquel cadmio, níquel e hidruro metálico y de iones de litio gastadas a un centro de servicio autorizado por DEWALT o al minorista local para que sean recicladas, ayuda a proteger el medio ambiente y a conservar recursos naturales.

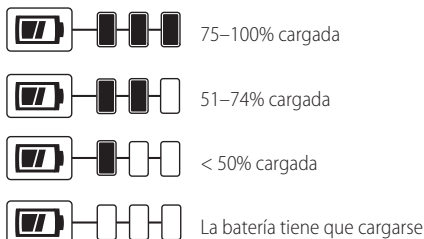
También puede comunicarse con el centro de reciclaje de su localidad para mayor información sobre dónde llevar sus baterías gastadas.

RBRC® es una marca comercial registrada de Call 2 Recycle, Inc.

Unidades de Batería con Indicador de Carga (Fig. B)

Algunas unidades de batería BOSTITCH/DEWALT incluyen un indicador de carga que consiste de tres luces LED verdes que indican el nivel de carga que queda en la unidad de batería.

El indicador de carga es una indicación de niveles aproximados de carga que quedan en la batería según los indicadores siguientes:



Para activar el indicador de carga, presione y sostenga el botón del indicador. Se iluminará una combinación de las tres luces LED verdes, que indicará el nivel de carga que queda. Cuando el nivel de carga está por debajo del nivel útil, el indicador no se iluminará, y la batería deberá recargarse.

Fig. B



NOTA: El indicador de carga es sólo eso: un indicador de la carga de la unidad de batería. No indica el nivel de funcionalidad de la herramienta y puede variar de acuerdo a las piezas del producto, la temperatura y la aplicación que el usuario le dé.

Para mayor información sobre unidades de batería con indicadores de carga, por favor llame al 1-800-4-DEWALT (1-800-433-9258) o visite nuestro sitio Web: www.dewalt.com

Transporte



ADVERTENCIA : Peligro de incendio. No guarde o transporte la batería de forma que los terminales expuestos de la misma puedan estar en contacto con objetos metálicos. Por ejemplo, no ponga la batería en delantales, bolsillos, cajas de herramientas, estuches de productos, cajones, etc., junto con clavos, tornillos, y llaves, etc. sueltas. **El transporte de baterías puede causar incendios si sus terminales inadvertidamente entran en contacto con materiales conductores como llaves, monedas, herramientas manuales y otros por el estilo.** El Reglamento sobre Materiales Peligrosos (HMR) del Departamento de Transporte de EE.UU. prohíbe transportar baterías comercialmente o en aviones en el equipaje de mano A MENOS que estén debidamente protegidas contra cortocircuitos. Por lo tanto, cuando transporte baterías individuales, asegúrese de que sus terminales estén protegidos y debidamente aislados de los materiales que pudieran entrar en contacto con ellos y provocar un cortocircuito.

NOTA: Las baterías de iones de LI-ION no deben colocarse dentro del equipaje registrado.

TRANSPORTE DE LA BATERÍA FLEXVOLT™ DE DEWALT

La batería FLEXVOLT™ de DEWALT tiene dos modalidades:

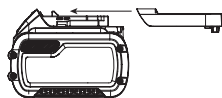
Uso y transporte.

Modalidad de uso: Cuando la batería FLEXVOLT™ está independiente o está en un producto DEWALT de 20 V Máx* funcionará como una batería de 20 V Máx*. Cuando la batería FLEXVOLT™ está en un producto de 60 V Máx* o 120 V Máx* (dos baterías de 60 V Máx*), funcionará como una batería de 60V Máx*.

Modalidad de transporte:

Cuando la batería FLEXVOLT™ tiene puesta la tapa, la batería está en modalidad de transporte.

Cadenas de celdas están desconectadas eléctricamente dentro de la unidad de batería, lo que resulta en tres baterías con una capacidad nominal de vatios hora (Wh) inferior comparada con una batería con una capacidad nominal de vatios hora superior. Esta mayor cantidad de tres baterías con una capacidad nominal de vatios-hora



menor puede hacer que la unidad de batería quede exenta de ciertos reglamentos de transporte que se imponen a las baterías con mayor capacidad nominal de vatios-hora. La etiqueta en la batería indica dos capacidades nominales de vatios-hora (ver el ejemplo). Dependiendo de cómo se transporta la batería, debe usarse la capacidad nominal de vatios-hora apropiada para determinar los requisitos de transporte aplicables. Si se utiliza la tapa de transporte, la unidad de batería será considerada tres baterías con la capacidad nominal de vatios-hora indicada para «Transporte». Si se transporta sin la tapa o en una herramienta, la unidad de batería será considerada una batería con la capacidad nominal de vatios-hora indicada al lado de «Uso».

Ejemplo de Marcado en Etiqueta de Uso y Transporte

USE: 120 Wh Shipping: 3 x 40 Wh

Por ejemplo, la capacidad nominal de Wh de Transporte puede indicar 3 x 40 Wh, lo que significa 3 baterías de 40 vatios-hora cada una. La capacidad nominal de Wh de Uso puede indicar 120 Wh (se implica 1 batería).

Instrucciones Importantes de Seguridad Para Todos los Cargadores de Baterías

⚠️ ADVERTENCIA: Lea todas las advertencias de seguridad, instrucciones y marcas de precaución para el paquete de la batería, el cargador y el producto. No seguir las advertencias y las instrucciones puede provocar una descarga eléctrica, un incendio y/o lesiones graves.

- **NO intente cargar el paquete de batería con ningún cargador diferente a un cargador DEWALT.** El cargador y el paquete de batería DEWALT están diseñados específicamente para funcionar juntos.
- **Estos cargadores no fueron diseñados para ser utilizados para más que cargar las baterías recargables DEWALT.** Cualquier otro uso puede producir riesgo de incendios, descargas eléctricas o electrocución.
- **No exponga el cargador a la lluvia o a la nieve.**
- **Tire del enchufe y no del cable cuando desconecte el cargador.** De esta forma se reduce el riesgo de daño al enchufe y cable.
- **Asegúrese de que el cable no sea ubicado de manera que podría ser pisado, causar que alguien tropiece con él o ser expuesto a otro tipo de daños y desgastes.**
- **No use un alargador a menos que sea absolutamente necesario.** El uso de un alargador incorrecto podría producir riesgo de incendios, descargas eléctricas o electrocución.
- **Cuando opere un cargador al exterior, hágalo siempre en un lugar seco y use un alargador apropiado para uso al exterior.** El uso de un alargador apropiado para uso al exterior reduce el riesgo de descarga eléctrica.
- **Los hilos del alargador deben ser de un calibre apropiado (AWG o American Wire Gauge) para**

su seguridad. Mientras menor sea el calibre del hilo, mayor la capacidad del cable. Es decir, un hilo calibre 16 tiene mayor capacidad que uno de 18. Un cable de un calibre insuficiente causará una caída en la tensión de la línea dando por resultado una pérdida de energía y sobrecalentamiento. Cuando se utilice más de un alargador para completar el largo total, asegúrese que los hilos de cada alargador tengan el calibre mínimo. La tabla siguiente muestra el tamaño correcto a utilizar, dependiendo de la longitud del cable y del amperaje nominal de la placa de identificación. Si tiene dudas sobre cuál calibre usar, use un calibre mayor. Cuanto menor sea el número del calibre, más resistente será el cable.

Calibre mínimo de conjuntos de cables

Voltios	Longitud total del cable en pies (metros)					
	25 (7,6)	50 (15,2)	100 (30,5)	150 (45,7)	200 (61,0)	
120 V						
240 V	50 (15,2)	100 (30,5)	200 (61,0)	300 (91,4)		
Amperaje nominal		AWG				
Más de	No Más de					
0	6	18	16	16	14	
6	10	18	16	14	12	
10	12	16	16	14	12	
12	16	14	12	No recomendado		

- **No coloque ningún objeto encima del cargador ni coloque a este sobre una superficie blanda que pudiera bloquear las ranuras de ventilación y resultar en un calor interno excesivo.** Coloque el cargador en un lugar alejado de cualquier fuente de calor. El cargador se ventila a través de las ranuras que se encuentran en la parte superior e inferior de la caja protectora.
- **No opere el cargador si su cable o enchufe están dañados—reemplácelos de inmediato.**
- **No opere el cargador si ha recibido un golpe agudo, si se ha caído o si ha sido dañado de alguna otra forma.** Llévelo a un centro de servicio autorizado.
- **No desarme el cargador; llévelo a un centro de servicio autorizado cuando deba ser reparado.** Si es reensamblado incorrectamente, puede causar descargas eléctricas, electrocución o incendios.
- **Desenchufe el cargador antes de intentar limpiarlo. Esto reducirá el riesgo de descargas eléctricas.** El retirar el paquete de baterías no reducirá este riesgo.
- **NUNCA intente conectar 2 cargadores entre sí.**
- **El cargador está diseñado para operar con una corriente eléctrica estándar residencial de 120 V. No intente usarlo con ningún otro voltaje.** Esto no aplica al cargador vehicular.

⚠️ ADVERTENCIA: Peligro de descarga eléctrica. No permita que ningún líquido se introduzca en el cargador. Puede producir descargas eléctricas.

⚠️ ADVERTENCIA: Peligro de quemaduras. No sumerja la unidad de batería en líquido de ningún tipo ni permita que se introduzca ningún tipo de líquido a la unidad de batería. Nunca intente abrir la unidad

de batería por ningún motivo. Si la caja plástica de la unidad de batería se triza o rompe, llévela a un centro de servicio para su reciclaje.



ATENCIÓN: Peligro de quemaduras. Para reducir el riesgo de lesiones, sólo cargue unidades de batería recargables marca CRAFTSMAN, DeWALT. Otros tipos de batería podrían sobrecalentarse y reventar lo que podría resultar en lesiones corporales y daños a su propiedad.



ATENCIÓN: Bajo ciertas condiciones, cuando el cargador está enchufado a una toma de corriente, el cargador puede hacer cortocircuito si entra en contacto con algún material ajeno. Los materiales ajenos de naturaleza conductora, como el polvo de esmerilado, las placas de metal, la lana de acero, el papel de aluminio y otros, o cualquier acumulación de partículas metálicas deberían mantenerse alejados de las cavidades del cargador. Desenchufe siempre el cargador cuando no haya una unidad de batería en su cavidad. Desenchufe el cargador antes de intentar limpiarlo.

Carga de la Batería

NOTA: Para garantizar el máximo desempeño y la vida útil de los paquetes de baterías de iones de litio, cargue la batería por completo antes del primer uso.

1. Conecte el cargador en un tomacorriente apropiado antes de insertar el paquete de batería.
2. Conecte el cargador y el paquete de baterías, asegurándose que la batería esté completamente asentada. La luz (carga) parpadeará continuamente indicando que el proceso de carga ha comenzado.
3. La terminación de la carga se indicará por la luz que permanece encendida continuamente. El paquete de batería está completamente cargado y se puede retirar y usar en este momento o dejarse en el cargador.

NOTA: Para retirar el paquete de la batería, algunos cargadores requieren que se presione el botón de liberación del paquete de batería.

Indicators	
	Unidad en Proceso de Carga
	Unidad Cargada
	Retraso por Unidad Caliente/ Fría*

*La luz roja continuará parpadearo, pero una luz indicadora amarilla estará iluminada durante esta operación. Una vez que la batería haya llegado a una temperatura apropiada, la luz amarilla se apagará y el cargador continuará con el procedimiento de carga.

Un cargador no cargará una batería defectuosa. El cargador que se niega a encenderse podría indicar un problema con el cargador.

NOTA: Si el cargador no quiere encender, lleve el cargador y el paquete de batería para que los prueben en un centro de servicio autorizado.

Retraso por Batería Caliente/Fría

Cuando el cargador detecta que una batería está demasiado caliente o demasiado fría, inicia automáticamente un Retraso por batería caliente/fría y suspende la carga hasta que la batería alcanza una temperatura adecuada. En ese momento, el cargador inicia automáticamente el modo de carga de la batería. Esta función garantiza la máxima duración de la batería.

Una batería fría puede cargar más lentamente que una batería caliente.

El cargador DCB118 está equipado con un ventilador interno diseñado para enfriar la batería. El ventilador se encenderá automáticamente cuando la batería tenga que enfriarse.

No opere nunca el cargador si el ventilador no funciona adecuadamente o si las ranuras de ventilación están obstruidas. No permita que entren objetos extraños dentro del cargador.

Sistema de protección electrónica

Las herramientas con baterías de iones de litio están diseñadas con un Sistema de protección electrónico que protegerá la batería contra la sobrecarga, el sobrecalentamiento o la descarga completa.

La herramienta se apagará automáticamente si el Sistema de protección electrónico se activa. Si esto ocurre, coloque la batería de iones de litio en el cargador hasta que esté totalmente cargada.

Notas Importantes Sobre la Carga

1. Se puede obtener una mayor duración y un mejor rendimiento si la unidad de batería se carga a una temperatura ambiente de 18 °– 24 °C (65 – 75 °F). NO cargue cuando el paquete de batería esté debajo de +4,5 °C (+40 °F), o arriba de +40 °C (+104 °F). Esto es importante y evitará causar daños graves a la batería.
2. Puede que el cargador y la unidad de batería se calienten ligeramente durante el proceso de carga. Esto es normal y no representa ningún problema. Para facilitar el enfriamiento de la unidad de batería después del uso, evite colocar el cargador o la unidad de batería en un lugar cálido, como un cobertizo metálico o un remolque sin aislamiento térmico.
3. Si la unidad de batería no se carga correctamente:
 - a. Verifique el funcionamiento de la toma enchufando una lámpara u otro aparato;
 - b. Revise que la toma de corriente no esté conectada a un interruptor de luz que corte la corriente cuando se corte la luz;
 - c. Mueva el cargador y la unidad de batería a un lugar donde la temperatura ambiental sea aproximadamente 18 – 24 °C (65 – 75 °F);
 - d. Si el problema de carga continúa, lleve la herramienta, unidad de batería y el cargador a su centro de servicio local.
4. La unidad de batería debería ser recargada cuando no sea capaz de producir suficiente potencia para trabajos que eran fácilmente realizados antes. NO

CONTINÚE usándola bajo estas circunstancias. Siga el procedimiento de carga. También puede cargar una unidad de batería que haya sido usada parcialmente cuando lo desee, sin dañarla.

- Los materiales ajenos conductores por naturaleza, tales como, pero sin limitarse a, el polvo del esmerilado, las virutas metálicas, la lana de acero, el papel de aluminio o cualquier acumulación de partículas metálicas deberían mantenerse alejados de las cavidades del cargador. Desenchufe siempre el cargador de la toma de corriente cuando no haya una unidad de batería en su cavidad. Desenchufe el cargador antes de intentar limpiarlo.
- No congele ni sumerja el cargador en agua o cualquier otro líquido.

Instrucciones de Limpieza del Cargador

⚠ ADVERTENCIA: *Riesgo de descarga eléctrica. Desconecte el cargador del tomacorriente de CA antes de limpiarlo. Para limpiar la suciedad y grasa del exterior del cargador puede usarse un paño o cepillo suave no metálico. No use agua ni soluciones limpiadoras.*

Montaje en la Pared

Estos cargadores están diseñados para montarse en la pared o colocarse en posición vertical sobre una mesa o superficie de trabajo. Si lo monta en la pared, coloque el cargador al alcance de una toma de corriente eléctrica y alejado de las esquinas u otras obstrucciones que puedan impedir el flujo de aire. Utilice la parte de atrás del cargador como plantilla para la ubicación de los tornillos de montaje en la pared. Monte el cargador firmemente utilizando tornillos para muro seco (comprados por separado) de un mínimo de 25,4 mm (1") de largo, con una cabeza de un diámetro de 7-9 mm (0,28–0,35"), atornillados en madera hasta una profundidad óptima dejando el tornillo expuesto aproximadamente 5,5 mm (7/32"). Alinee las ranuras en la parte trasera del cargador con los tornillos expuestos e introdúzcalos totalmente en las ranuras.

COMPONENTES (FIG. A)

⚠ ADVERTENCIA: *Nunca modifique la herramienta eléctrica, ni tampoco ninguna de sus piezas. Podría producir lesiones corporales o daños.*

Consulte la Figura A al principio de este manual para obtener una lista completa de los componentes.

Uso Debido

Este extractor de polvo está diseñado para aplicaciones húmedas/secas y para funcionar sólo con un paquete de baterías DEWALT 60 V FLEXVOLT™. Este extractor de polvo es para uso doméstico y profesional.

Este producto NO debe usarse para filtración de patógenos, por ejemplo Covid-19. Siga todas las pautas locales, estatales y federales sobre prácticas de limpieza general.

NO use en presencia de líquidos o gases inflamables.

NO permita que niños estén en contacto con el aparato. Se requiere supervisión cuando operadores sin experiencia operen este aparato.

MONTAJE Y AJUSTES

⚠ ADVERTENCIA: *Para reducir el riesgo de lesiones personales graves, apague la herramienta y retire el paquete de baterías antes de realizar ajustes o de retirar/installar dispositivos o accesorios. Un arranque accidental podría causar lesiones.*

Colocación de la Manguera en el Extractor de Polvo (Fig. A)

Para conectar la manguera al extractor de polvo, presione el seguro de liberación de la manguera **15** e inserte el extremo adecuado de la manguera en la entrada de la manguera. La manguera debe insertarse completamente antes de que se suelte el seguro de liberación.

Para retirar la manguera, presione el seguro de liberación de la manguera y retire la manguera. La manguera debe retirarse por completo antes de liberar el seguro de liberación de la manguera.

El tapón de entrada de la manguera **9** se puede usar para cubrir la entrada de la manguera si se quita la manguera para transportarla, limpiarla, etc.

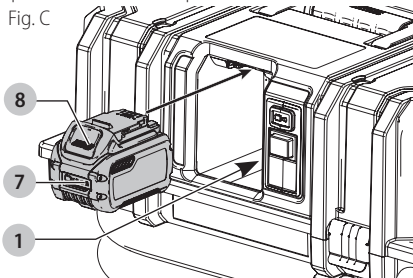
OPERACIÓN

⚠ ADVERTENCIA: *Para reducir el riesgo de lesiones personales graves, apague la herramienta y retire el paquete de baterías antes de realizar ajustes o de retirar/installar dispositivos o accesorios. Un arranque accidental podría causar lesiones.*

Instalación y Extracción de la Batería (Fig. C)

NOTA: Compruebe que la batería **7** esté totalmente cargada.

- Para instalar la batería en el extractor de polvo, inserte/deslice la batería en el puerto de la batería **1**. Asegúrese que la batería esté completamente asentada.

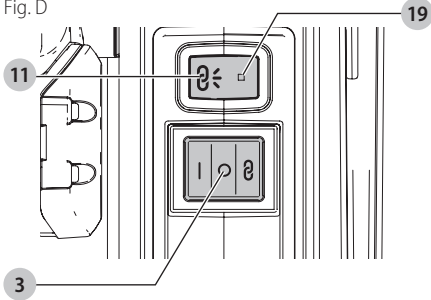


- Para extraer la batería del extractor de polvo, mantenga presionado la liberación de la batería **8** del paquete de batería y retírelo. Para cargar el paquete, insértelo en su cargador DEWALT.

Uso del Extractor de Polvo (Fig. A, D)

1. Conecte el accesorio apropiado a la manguera 2.
2. Inserte el paquete de batería 7.
3. Para encender el extractor de polvo, presione el interruptor de tres posiciones 3 a la posición de Encendido (I).
4. Para usar en el modo Wireless Tool Control™, presione las tres posiciones hacia la posición Wireless Tool Control™ (⊗). El gatillo de la herramienta conectada, o el botón en el control remoto controlará el extractor de polvo.
NOTA: Consulte **Conexión de Extractor de Polvo con una Herramienta Utilizando el Modo Wireless Tool Control™** para usar el extractor de polvo con una herramienta o control remoto equipado con Wireless Tool Control™.
5. Cuando termine, apague el extractor de polvo presionando el interruptor de tres posiciones a la posición de apagado (O).

Fig. D



Aplicaciones de Recolección Húmeda (Fig. H)

El extractor de polvo está diseñado para funcionar como una unidad húmeda/seca.

- Use filtros separados para aplicaciones de recolección húmedas y secas para evitar la obstrucción del filtro.
- Las sondas de detección de agua 27 apagarán automáticamente el extractor de polvo cuando se haya alcanzado el nivel máximo de llenado. Mueva el interruptor de tres posiciones a la posición Apagado (O), retire la batería y vacíe el tanque antes de volver a encender el extractor de polvo.
- Se recomienda vaciar el tanque de cualquier contenido seco antes de usarlo para recogerlo en húmedo para facilitar la limpieza del tanque.
- Cuando termine con una aplicación de selección húmeda, retire los filtros y deje que se sequen completamente. Esto evitará la acumulación de moho en los filtros.
- Asegúrese que el extractor de polvo esté completamente seco antes de volver a las aplicaciones de recolección en seco.

Para Vaciar el Tanque (Fig. A, F, G)



ADVERTENCIA: Antes de vaciar el extractor de polvo, SIEMPRE asegúrese que el interruptor de tres posiciones esté en la posición de apagado y extraiga el paquete de batería.



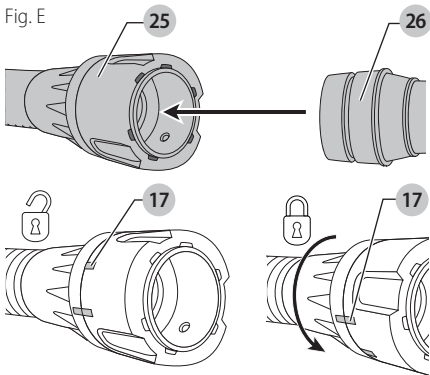
ATENCIÓN: Retire la manguera del extractor de polvo de cualquier líquido antes de vaciar el extractor de polvo.

1. Presione el interruptor de tres posiciones 3 a la posición de apagado (O) y retire la batería.
NOTA: Durante las aplicaciones de recolección húmeda, es normal que fluya una pequeña cantidad de líquido desde la manguera del extractor de polvo cuando el extractor de polvo se apaga.
2. Desconecte los seguros del tanque 4 y retire el cabezal del extractor de polvo 6.
3. Vacíe el contenido del tanque 16 en un recipiente o drenaje adecuado.

Conexión con las Herramientas Eléctricas (Fig. A, E)

1. Elija el adaptador correcto para la herramienta eléctrica 26 que se adapte a la conexión de la herramienta eléctrica en la herramienta que vaya a utilizarse, consulte la sección **Accesorios Opcionales** bajo **Mantenimiento**. Conecte el adaptador de la herramienta eléctrica 26 en la herramienta eléctrica.
2. Su extractor de polvo de construcción DEWALT está equipado con el sistema de conexión AirLock® DEWALT. El AirLock® permite una conexión rápida y segura entre la manguera de extracción de polvo 2 y la herramienta eléctrica. El conector AirLock® 25 conecta directamente con las herramientas compatibles DEWALT o mediante el uso de un adaptador AirLock® (disponible a través de su proveedor local de DEWALT). Consulte la sección **Accesorios Opcionales** para obtener información sobre los adaptadores disponibles.
NOTA: Si utiliza un adaptador asegúrese de que esté firmemente conectado al enchufe de la herramienta antes de seguir los pasos a continuación.
 - a. Asegúrese de que el collar en el conector AirLock® esté en la posición de desbloqueo. (Consulte la Figura F). Alinee las muescas 17 en el collar y el conector AirLock® como se muestra para las posiciones de desbloqueo y bloqueo.
 - b. Empuje el conector AirLock® hasta el punto del conector del adaptador.
 - c. Rote el collar hasta la posición de bloqueo.
NOTA: Los cojinetes de bola dentro del collar se bloquean en la ranura y aseguran la conexión. La herramienta eléctrica está ahora bien conectada al extractor de polvo.

Fig. E



Conexión de Extractor de Polvo con una Herramienta Utilizando el Modo Wireless Tool Control™ (Fig. A, D)

- ⚠ ATENCIÓN:** Cuando el extractor de polvo se controla con el control remoto o la herramienta eléctrica conectada, puede arrancar o parar sin previo aviso.
- ⚠ ADVERTENCIA:** No coloque la correa del control remoto en las partes móviles.

Para conectar con una herramienta DEWALT Remote o Wireless Tool Control™

⚠ PRECAUCIÓN: El extractor de polvo se encenderá tan pronto como se conecte la herramienta eléctrica.

1. Presione el interruptor de tres posiciones **3** a la posición Wireless Tool Control™ (0).
2. Presione y sostenga el botón de conexión Wireless Tool Control™ **11** en el DCV585. El LED **19** parpadeará para indicar que DCV585 ingresó en modo de conexión.
3. Mientras mantiene presionado el botón de conexión **11**, presione el gatillo de la herramienta equipada con Wireless Tool Control™ o presione el botón en el control remoto **14**.
4. El LED **19** se iluminará constantemente para indicar una conexión exitosa.
5. **NOTA:** Sólo se puede conectar un dispositivo al DCV585 a la vez. Si la unidad ya está conectada, se anulará el dispositivo conectado anteriormente.

Para desconectar con una herramienta Wireless Tool Control™ o control remoto

1. Presione el interruptor de tres posiciones **3** a la posición Wireless Tool Control™ (0).
2. Presione y sostenga el botón de conexión Wireless Tool Control™ **11** en el DCV585. El LED **19** parpadeará para indicar que DCV585 ingresó en modo de conexión.
3. Mientras mantiene presionado el botón de conexión **11**, jale el gatillo de la herramienta conectada anteriormente o presione el botón en el control remoto conectado anteriormente **14**.

4. El LED (19) parpadeará lentamente para indicar que se ha desconectado correctamente.

NOTA: No se requiere desconectar un dispositivo para conectar un nuevo dispositivo con el DCV585.

ESPECIFICACIONES REMOTAS

Voltaje	V _{dc}	3
Vida útil de la pila		3 Años
Alcance de la señal		10 m (≤30')
FCC ID		YJ7DCV585
IC		90829-DCV585
Peso		0,017 kg (0,60 oz)

PATRÓN DE PARPADEO LED

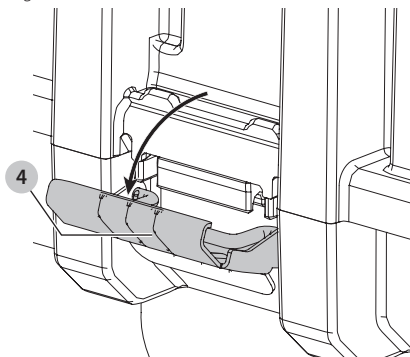
En modo de conexión	-----
No hay dispositivo conectado	-----
El dispositivo se conectó con éxito	—————

Limpieza del Extractor de Polvo

Para Vaciar el Tanque (Fig. A, F-H)

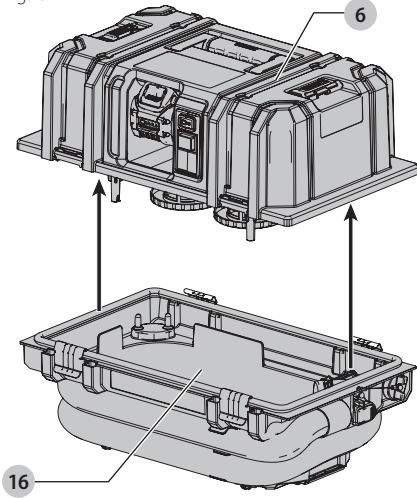
El sonido del motor cambia y la succión se reduce cuando el tanque está lleno.

1. Presione el interruptor de tres posiciones **3** a la posición de apagado (O) y retire la batería.
NOTA: Espere un tiempo adecuado después de apagar el extractor de polvo para permitir que el polvo se asiente.
2. Desconecte los seguros del tanque **4**.
Fig. F



3. Retire la cabeza del extractor de polvo **6** del tanque **16**.

Fig. G



- Vacíe el contenido del tanque en un recipiente adecuado.
- Limpie o cambie los filtros HEPA **18**. Consulte la sección **Filtro HEPA** de este manual.
- Revise la máquina en busca de daños por objetos extraños. Póngase en contacto con el centro de servicio autorizado de DEWALT más cercano para reemplazar las partes dañadas o faltantes.
- Vuelva a colocar el cabezal del extractor de polvo en el tanque.
NOTA: El cabezal extractor de polvo sólo encaja en una orientación como se muestra en la Fig. G.
- Cierre los cuatro seguros firmemente.
NOTA: Revise las sondas de detección de agua **27** durante la limpieza del extractor de polvo. Las sondas de detección de agua se pueden contaminar durante la operación. Si hay contaminación, limpie las sondas de detección de agua minuciosamente con un paño húmedo para eliminar cualquier contaminación visible.

Apilamiento Mediante Seguros de Apilamiento DEWALT TSTAK® (Fig. A)

! **ADVERTENCIA:** Al apilar, siempre coloque el extractor de polvo en la parte inferior de la pila.

Los seguros de apilamiento DEWALT TSTAK® **10** permiten que otros productos TSTAK® se apilen de manera segura uno arriba de otro para mayor comodidad y portabilidad. Para usar los seguros de apilamiento TSTAK® **10**, coloque una unidad compatible con TSTAK® encima del extractor de polvo y levante los dos seguros de apilamiento TSTAK® para que se conecten de manera segura en la parte inferior de la unidad.

Filtro HEPA

! **ADVERTENCIA:** Los filtros deben estar siempre en su lugar al aspirar.

Cuidado del Filtro HEPA

Los filtros HEPA incluidos con este extractor de polvo son filtros de larga duración. Para minimizar efectivamente la recirculación de polvo, especialmente en aplicaciones de pintura con plomo (regla de RRP de la EPA), los filtros DEBEN instalarse correctamente y estar en buenas condiciones.

Sistema Automático de Limpieza de Filtros

Este extractor de polvo tiene un sistema de limpieza de filtro altamente efectivo que minimiza la obstrucción del filtro. Cada 20 segundos, ambos filtros se limpian automáticamente. El proceso de limpieza alterna entre los filtros y continúa durante la vida útil de la unidad.

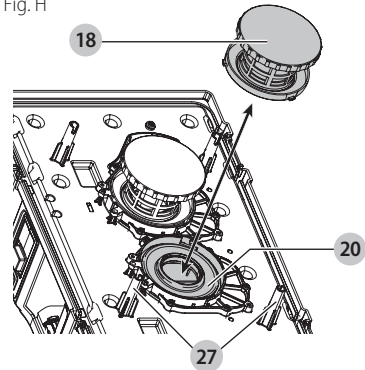
NOTA: Es normal escuchar un sonido de clic durante este proceso.

NOTA: Después de una operación prolongada, el sistema automático de limpieza del filtro puede no ser efectivo. Cuando esto sucede, el tanque debe vaciarse y puede necesitarse limpiar o reemplazar los filtros.

Para Retirar los Filtros (Fig. A, H)

- Presione el interruptor de tres posiciones **3** a la posición de apagado (O) y retire la batería.
- Suelte los seguros del tanque **4** y retire el cabezal del extractor de polvo **6** del recipiente. Coloque el cabezal del extractor de polvo en una superficie nivelada de lado.
- Gire cada filtro HEPA **18** en sentido contrario a las manecillas del reloj y retírelo cuidadosamente del cabezal extractor de polvo, asegurándose que los residuos no caigan en el orificio de montaje.

NOTA: Tenga cuidado de no dañar el material del filtro.
Fig. H



- Revise los filtros en busca de desgaste, roturas u otros daños.
NOTA: Si hay alguna duda sobre la condición de los filtros, se DEBEN reemplazar. NO continúe el uso si los filtros están dañados.

! **ADVERTENCIA:** Nunca use aire comprimido o un cepillo para limpiar los filtros; de lo contrario, se dañará la membrana del filtro, lo que permitirá que el polvo pase a través del filtro. Si es necesario, enjuague con agua a temperatura ambiente y deje que se

seque al aire. La limpieza de los filtros es típicamente innecesaria. Incluso si el filtro está cubierto de polvo, el sistema de limpieza automática del filtro mantendrá el máximo rendimiento y continuará funcionando. Si existe daño visual en la membrana del filtro, reemplace los filtros. Los filtros suelen durar entre seis y doce meses, según el uso y el cuidado.

Para Instalar Filtros (Fig. A, H)

⚠ ADVERTENCIA: Los filtros deben estar siempre en su lugar al aspirar.

1. Asegúrese que el sello del filtro **20** esté en su lugar y no esté dañado o sucio.
2. Alinee las pestañas del filtro HEPA **18** con las muescas del cabezal del extractor de polvo y, utilizando una fuerza moderada, empuje hacia abajo y gírelo en el sentido de las manecillas del reloj hasta que el filtro esté seguro.

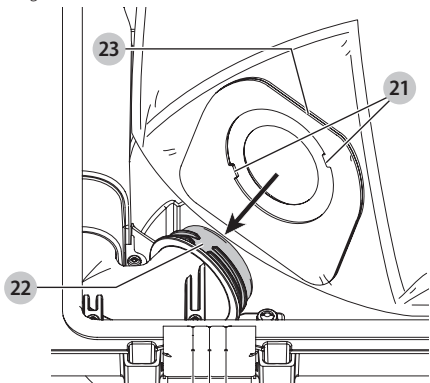
NOTA: Tenga cuidado de no dañar el material del filtro.

3. Coloque el cabezal de extracción de polvo **6** en el tanque **16** y asegúrelo cerrando los seguros del tanque **4**.

Instalación de Bolsa de Papel o Paño (Fig. A, G, I)

Al aspirar polvo fino, también puede usar una bolsa de papel adicional o una bolsa de paño **12** para facilitar el vaciado del tanque **16**.

1. Presione el interruptor de tres posiciones **3** a la posición de apagado (O) y retire la batería.
 2. Desconecte los seguros del tanque **4** y retire el cabezal del extractor de polvo **6** del tanque **16**.
 3. Coloque la bolsa pasando las dos lengüetas **21** en la abertura de la bolsa más allá de las dos muescas **22** en el extractor de polvo.
 4. Gire la bolsa un cuarto de vuelta hasta que el borde cuadrado **23** quede hacia arriba.
- Fig. I

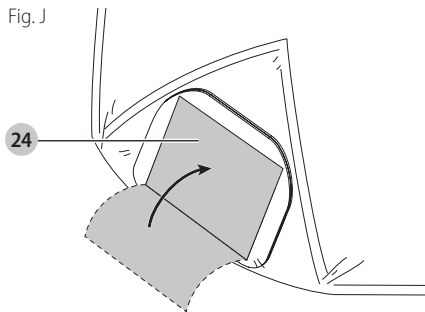


5. Coloque la bolsa dentro del tanque asegurándose que no esté doblada o atrapada.
6. Vuelva a colocar el cabezal del extractor de polvo en el tanque y asegure firmemente.

Retiro y Desecho de Bolsa (Fig. A, G, J)

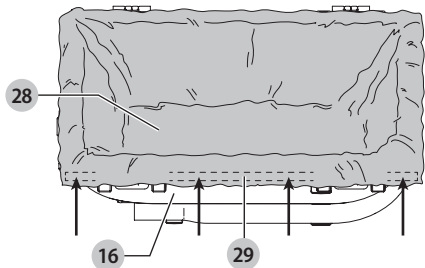
1. Presione el interruptor de tres posiciones **3** a la posición de apagado (O) y retire la batería.
 2. Desconecte los seguros del tanque **4** y retire el cabezal del extractor de polvo **6** del tanque **16**.
- NOTA:** Es normal que haya una pequeña cantidad de polvo en el tanque, incluso con la bolsa correctamente instalada.
3. Gire la bolsa hasta que las dos lengüetas se alineen con las dos muescas del extractor de polvo y retire la bolsa.
 4. Una vez que se retira la bolsa, se puede sellar para su eliminación.
 - a. Retire el respaldo del sello adhesivo **24**.
 - b. Presione el sello adhesivo sobre la abertura y deseche adecuadamente la bolsa. NO reutilice la bolsa.

Fig. J



Instalación del Revestimiento de Plástico (Fig. A, I, K)

1. Presione el interruptor de tres posiciones **3** a la posición de apagado (O) y retire la batería.
 2. Desconecte los seguros del tanque **4** y retire el cabezal del extractor de polvo **6** del tanque **16**.
 3. Coloque el revestimiento de plástico **28** pasando las dos lengüetas **21** en la abertura de la bolsa más allá de las dos muescas **22** en el extractor de polvo como se muestra en la Fig. I.
 4. Gire la bolsa un cuarto de vuelta hasta que el borde cuadrado **23** quede hacia arriba.
 5. Doble el revestimiento de plástico sobre el borde superior del tanque.
- Fig. K



6. Vuelva a colocar el cabezal del extractor de polvo en el tanque y asegure firmemente.

Desinstalación y Desecho del Revestimiento de Plástico (Fig. A, I, K)

1. Presione el interruptor de tres posiciones **3** a la posición de apagado (O) y retire la batería.
2. Desconecte los seguros del tanque **4** y retire el cabezal del extractor de polvo **6** del tanque **16**.
NOTA: Es normal que haya una pequeña cantidad de polvo en el tanque, incluso con el revestimiento de plástico instalado correctamente.
3. Desprenda el respaldo de la cinta adhesiva **29** a lo largo del borde superior del revestimiento de plástico y selle el revestimiento.
4. Gire el revestimiento de plástico hasta que las dos lengüetas se alineen con las dos muescas del extractor de polvo y retire el revestimiento.
5. Retire el respaldo del sello adhesivo **24** como se muestra en la Fig. J.
6. Presione el sello adhesivo sobre la abertura y deseche adecuadamente la bolsa. NO reutilice la bolsa.

MANTENIMIENTO

! **ADVERTENCIA:** Para reducir el riesgo de lesiones personales graves, apague la herramienta y retire el paquete de baterías antes de realizar ajustes o de retirar/instalar dispositivos o accesorios. Un arranque accidental podría causar lesiones.

Limpieza

! **ADVERTENCIA:** Con un paño húmedo, limpie el polvo de las rejillas de ventilación por lo menos una vez a la semana. Use protección adecuada para los ojos ANSI Z87.1 (CAN / CSA Z94.3) y protección respiratoria adecuada conforme lo requiera OSHA u otras instituciones gubernamentales/estatales para la aplicación que se realiza.

! **ADVERTENCIA:** Nunca utilice solventes ni otros químicos abrasivos para limpiar las piezas no metálicas de la herramienta. Estos productos químicos pueden debilitar los materiales plásticos utilizados en estas piezas. Utilice un paño humedecido sólo con agua y jabón neutro.

Accesorios

! **ADVERTENCIA:** Debido a que no se han probado con este producto otros accesorios que no sean los que ofrece DeWALT, el uso de dichos accesorios con esta herramienta podría ser peligroso. Para reducir el riesgo de lesiones, con este producto deben usarse sólo los accesorios recomendados por DeWALT.

Los accesorios que se recomiendan para utilizar con la herramienta están disponibles a un costo adicional en su distribuidor local o en un centro de mantenimiento autorizado. Si necesita ayuda para localizar algún accesorio, póngase en contacto con DeWALT, llame al 1-800-4-DeWALT (1-800-433-9258), o visite nuestro sitio web: www.dewalt.com.

Los filtros de reemplazo están disponibles a un costo adicional en su centro de servicio local DeWALT.

Colector de Polvo

En el modo de aspiradora, el aparato también puede funcionar como colector de polvo para aplicaciones de herramientas eléctricas que producen polvo o desechos.

¡IMPORTANTE! El adaptador de extracción de polvo DWV9000 está diseñado para funcionar con las herramientas eléctricas DeWALT compatibles con el sistema de extracción de polvo. Será necesario un adaptador adicional para el uso con las herramientas DeWALT.

Accesorios Opcionales

DC5151H	Filtro HEPA: Captura el 99,97 % de todas las partículas mayores o iguales a 0,3 micrones. Obligatorias al recoger desechos de pintura a base de plomo.
DWE46100	Cubierta protectora para rejuntar/cortar de 12 mm–152 mm (5"–6")
DWE46101	Kit de cubierta protectora para cortar/rejuntar de 127 mm–152 mm (5"–6")
D25301D	Adaptador de extracción de polvo
DWE46150	Cubierta protectora para rejuntar/cortar de 127 mm (5")
DWE46152	Aro de refuerzo de superficie de 127 mm (5")
DWH050K	DWH050 Sistema de extracción de polvo de perforación universal
DWH052K	DWH052 Recolección de polvo de martillo neumático de 1-1/8" Hexagonal
DWH053K	DWH053 SDS Recolección de polvo y astillas máxima
DWW9316	Manguera anti-estática de 4,57 m (15 pies) 1-1/4" manguera
DWST17889	Carro
DWST17888	Carretilla

Las bolsas de filtro proporcionan una forma limpia, fácil y rápida de deshacerse del polvo acumulado.

Bolsas de filtro de papel: Las bolsas para el filtro DCV9401 están diseñadas para captar muchos tipos diferentes de polvo, incluyendo el de muro seco, concreto y madera. Brindan una filtración de 99,9% en 2 micrones. Estas bolsas deben ser desechadas una vez que el flujo de aire empiece a disminuir. NO reutilice las bolsas.

	DCV9401	Bolsa desechable de filtro de papel
---	---------	-------------------------------------

Bolsa de filtro de lanilla: La bolsa de lanilla DCV9402 está diseñada para capturar muchos tipos de polvo incluyendo de yesería, hormigón y madera. Proporciona un rendimiento de filtración de 95% a 0,3 micrones. Esta bolsa debe ser

desechada una vez que el flujo de aire empiece a disminuir. NO reutilice esta bolsa. La bolsa de lanilla es ideal para materiales más pesados como el polvo de concreto y muro seco, los que podrían hacer que la bolsa de papel se raje.

	DCV9402	Bolsa desechable de filtro de lanilla
--	---------	---------------------------------------

El revestimiento de plástico desechable DCV9400 está diseñado para sellar el revestimiento a la entrada del tanque sin ser succionado hacia el filtro durante el uso. El revestimiento desechable de plástico permite una fácil limpieza y eliminación del polvo y evita que el polvo vuelva a la atmósfera durante el vaciado. Debido a que este revestimiento está especialmente diseñado para que no se introduzca en el filtro, quedará una pequeña cantidad de polvo en el tanque.

	DCV9400	Revestimiento de recolección de plástico desechable
--	---------	---

Almacenamiento de la Manguera y Accesorios (Fig. A)

Cuando el extractor de polvo no está en uso, la manguera puede enrollarse alrededor del aparato, en el tanque, y asegurarse con los sujetadores de manguera **5** también ubicados en el extractor de polvo.

Reparaciones

El Cargador y las unidades de batería no pueden ser reparados. El cargador y la unidad de batería no contienen piezas reparables.

⚠️ ADVERTENCIA: Para asegurar la **SEGURIDAD** y la **CONFIABILIDAD** del producto, las reparaciones, el mantenimiento y los ajustes (inclusive la inspección y el cambio de las escobillas, cuando proceda) deben ser realizados en un centro de mantenimiento en la fábrica u en un centro de mantenimiento autorizado. Utilice siempre piezas de repuesto idénticas.

Para reparación y servicio de sus herramientas eléctricas, favor de dirigirse al Centro de Servicio más cercano

CULIACAN, SIN

Bldv. Emiliano Zapata 5400-1 Poniente Col. (667) 717 89 99
San Rafael

GUADALAJARA, JAL

Av. La Paz #1779 - Col. Americana Sector (33) 3825 6978
Juárez

MEXICO, D.F.

Eje Central Lázaro Cárdenas No. 18 - Local (55) 5588 9377
D, Col. Obrera

MERIDA, YUC

Calle 63 #459-A - Col. Centro (999) 928 5038

MONTERREY, N.L.

Av. Francisco I. Madero 831 Poniente - Col. (818) 375 23 13
Centro

PUEBLA, PUE

17 Norte #205 - Col. Centro (222) 246 3714

QUERETARO, QRO

Av. San Roque 274 - Col. San Gregorio (442) 2 17 63 14

SAN LUIS POTOSI, SLP

Av. Universidad 1525 - Col. San Luis (444) 814 2383

TORREON, COAH

Bldv. Independencia, 96 Pte. - Col. Centro (871) 716 5265

VERACRUZ, VER

Prolongación Díaz Mirón #4280 - Col. (229) 921 7016
Remes

VILLAHERMOSA, TAB

Constitución 516-A - Col. Centro (993) 312 5111

PARA OTRAS LOCALIDADES:

Si se encuentra en México, por favor llame al (55) 5326 7100

Si se encuentra en U.S., por favor llame al 1-800-4-DEWALT (1-800-433-9258)

Póliza de Garantía

IDENTIFICACIÓN DEL PRODUCTO:

Sello o firma del Distribuidor.

Nombre del producto: _____

Mod./Cat.: _____

Marca: _____

Núm. de serie: _____

(Datos para ser llenados por el distribuidor)

Fecha de compra y/o entrega del producto: _____

Nombre y domicilio del distribuidor donde se adquirió el producto: _____

Este producto está garantizado por un año a partir de la fecha de entrega, contra cualquier defecto en su funcionamiento, así como en materiales y mano de obra empleados para su fabricación. Nuestra garantía incluye la reparación o reposición del producto y/o componentes sin cargo alguno para el cliente, incluyendo mano de obra, así como los gastos de transportación razonablemente erogados derivados del cumplimiento de este certificado. Para hacer efectiva esta garantía deberá presentar su herramienta y esta póliza sellada por el establecimiento comercial donde se adquirió el producto, de no contar con ésta, bastará la factura de compra.

Excepciones

Esta garantía no será válida en los siguientes casos:

- Cuando el producto se hubiese utilizado en condiciones distintas a las normales;
- Cuando el producto no hubiese sido operado de acuerdo con el instructivo de uso que se acompaña;

- Cuando el producto hubiese sido alterado o reparado por personas distintas a las enlistadas al final de este certificado.

Anexo encontrará una relación de sucursales de servicio de fábrica, centros de servicio autorizados y franquiciados en la República Mexicana, donde podrá hacer efectiva su garantía y adquirir partes, refacciones y accesorios originales.

Registro en Línea

Gracias por su compra. Registre su producto ahora para:

- **SERVICIO EN GARANTÍA:** Si completa esta tarjeta, podrá obtener un servicio en garantía más eficiente, en caso de que exista un problema con su producto.
- **CONFIRMACIÓN DE PROPIEDAD:** En caso de una pérdida que cubra el seguro, como un incendio, una inundación o un robo, el registro de propiedad servirá como comprobante de compra.
- **PARA SU SEGURIDAD:** Si registra el producto, podremos comunicarnos con usted en el caso improbable que se deba enviar una notificación de seguridad conforme a la Federal Consumer Safety Act (Ley Federal de Seguridad de Productos para el Consumidor).

Registro en línea en www.dewalt.com.

Garantía Limitada por Tres Años

DEWALT reparará o reemplazará, sin cargo, cualquier defecto debido a materiales o mano de obra defectuosos por tres años desde la fecha de compra (dos años para las baterías). Esta garantía no cubre falla de partes debido al desgaste normal o abuso de la herramienta. Para detalles adicionales de la cobertura de la garantía e información de reparación de garantía, visite www.dewalt.com o llame al 1-800-4-DEWALT (1-800-433-9258). Esta garantía no se aplica a accesorios o daño causado cuando otros hayan realizado o intentado reparaciones. ESTA GARANTÍA LIMITADA SE OTORGA EN LUGAR DE TODAS LAS DEMÁS, INCLUIDA LA GARANTÍA IMPLÍCITA DE COMERCIABILIDAD E IDONEIDAD PARA UN PROPÓSITO EN PARTICULAR, Y EXCLUYE TODOS LOS DAÑOS INCIDENTALES O EN CONSECUENCIA. Algunos estados no permiten limitaciones sobre la duración de una garantía implícita o la exclusión o limitación de daños incidentales o en consecuencia, por lo que estas limitaciones pueden no aplicarse en su caso. Esta garantía le da derechos legales específicos y puede tener otros derechos que varían en ciertos estados o provincias.

Además de la garantía, las herramientas DEWALT están cubiertas por:

1 AÑO DE SERVICIO GRATUITO

DEWALT mantendrá la herramienta y reemplazará las piezas gastadas por su uso normal, sin cobro, en cualquier momento durante un año a contar de la fecha de compra.

2 AÑOS DE SERVICIO GRATUITO PARA UNIDADES DE ALIMENTACIÓN DEWALT

DC9071, DC9091, DC9096, DC9182, DC9280, DC9360, DCB120, DCB127, DCB201, DCB203BT, DCB207, DCB361

3 AÑOS DE SERVICIO GRATUITO PARA UNIDADES DE ALIMENTACIÓN DEWALT

DCB200, DCB203, DCB204, DCB204BT, DCB205, DCB205BT, DCB206, DCB230, DCB606, DCB609, DCB612

NOTA: La garantía del producto quedará nula si la unidad de batería ha sido alterada de cualquier manera. DEWALT no es responsable de ninguna lesión causada por alteraciones y podría iniciar un procedimiento judicial por fraude de garantía hasta el máximo grado permisible por la ley.

GARANTÍA DE REEMBOLSO DE SU DINERO POR 90 DÍAS

Si no está completamente satisfecho con el desempeño de su máquina herramienta o clavadora DEWALT, cualquiera sea el motivo, podrá devolverlo hasta 90 días de la fecha de compra con su recibo y obtener el reembolso completo de su dinero – sin necesidad de responder a ninguna pregunta.

AMÉRICA LATINA: Esta garantía no se aplica a los productos que se venden en América Latina. Para los productos que se venden en América Latina, debe consultar la información de la garantía específica del país que viene en el empaque, llamar a la compañía local o visitar el sitio Web a fin de obtener esa información.

REEMPLAZO GRATUITO DE LAS ETIQUETAS DE ADVERTENCIAS:

Si sus etiquetas de advertencia se vuelven ilegibles o faltan, llame al 1-800-4-DEWALT (1-800-433-9258) para que se le reemplacen gratuitamente.

ESPECIFICACIONES

DCV585

60 V Máx*

DC 

Solamente para propósito de México:

Importado por: DEWALT. Tool Co. S.A. de C.V.
Avenida Antonio Dovalí Jaime, # 70 Torre B Piso 9
Colonia La Fe, Santa Fé
Código Postal : 01210
Delegación Alvaro Obregón
México D.F.
Tel. (52) 555-326-7100
R.F.C.: BDE810626-1W7

SOLUCIÓN DE PROBLEMAS

Problema	Causa posible	Pasos de Solución de problemas
El motor no opera.	El interruptor no está en la posición de encendido (I).	Asegúrese que el interruptor de tres posiciones esté en la posición de encendido (I).
	Bajo voltaje de la batería/conexión de la batería deficiente.	Asegúrese que la batería esté completamente cargada y completamente insertada.
	El tanque está lleno de líquido y el circuito de detección está disparado.	Vacíe el tanque.
El extractor de polvo deja de funcionar.	Se disparó la sobrecarga térmica.	<ol style="list-style-type: none"> 1. Apague el extractor de polvo y retire la batería. 2. Vacíe el tanque, si se necesita. 3. Permita que el extractor de polvo se enfríe durante 5 minutos. 4. Vuelva a insertar la batería y presione el interruptor de tres posiciones en la posición de Encendido (I) para probar. 5. Si el extractor de polvo no se reinicia, llame al 1-800-4DeWALT (1-800-433-9258).
	El tanque está lleno de líquido y el circuito de detección está disparado.	Vacíe el tanque.
	La batería está descargada.	Inserte la batería completamente cargada.
	La batería no está completamente insertada.	Retire y vuelva a insertar la batería.
	El extractor de polvo no está en el modo Wireless Tool Control™ (Ⓟ)	Asegúrese que el interruptor de tres posiciones esté en la posición On (I) o esté conectado adecuadamente con la herramienta o control remoto deseados.
El polvo sale de la unidad mientras se usa.	Los filtros no están instalados correctamente.	Retire y vuelva a instalar según el procedimiento adecuado.
	Los filtros están dañados/rasgados.	Reemplace los filtros.
	Las juntas del filtro están dañadas.	Póngase en contacto con el centro de servicio de DeWALT.
	El cabezal no está instalado correctamente en el tanque.	Retire, vuelva a instalar y asegúrese que los seguros estén completamente conectados.
	Junta de culata dañada.	Póngase en contacto con el centro de servicio de DeWALT.



Certificación de Cumplimiento

Las aspiradoras para extracción de polvo DeWALT (DCV585) se fabrican en cumplimiento de las normas 1017 de Underwriters Laboratories (UL) y C22.2 No. 243-01 de Canadian Standards Association (CSA).

Estas aspiradoras cumplen también con los requisitos de una aspiradora HEPA según se definen en la Norma de renovaciones, reparaciones y pintura relacionadas con el plomo (RRP) (40 CFR Sección 745) de la Agencia de Protección Ambiental de Estados Unidos (EPA) cuando se utilizan con el filtro HEPA DC5151H.

El filtro HEPA DC5151H ha sido evaluado conforme a IEST-RP-CC001.5,7.2 por un tercero independiente y confirmó que el filtro es capaz de capturar partículas de 0.3 micras con una eficiencia del 99,97%.

SOLUCIÓN DE PROBLEMAS

Problema	Causa posible	Pasos de Solución de problemas
El extractor de polvo deja de capturar el polvo.	Filtros obstruidos.	Retire los filtros, limpie y vuelva a instalar.
	Filtros al final de la vida útil.	Reemplace con nuevos filtros.
	La limpieza automática del filtro ya no funciona.	Si el sistema de limpieza del filtro no se escucha cada 20 segundos, comuníquese con el centro de servicio de DEWALT.
	Tanque lleno.	Apague la unidad y vacíe el tanque.
	La manguera está obstruida.	Revise y limpie la manguera si encuentra obstrucciones.
	La manguera no está completamente conectada al tanque.	Vuelva a colocarla y asegúrese que el seguro de la manguera esté completamente conectado.
	La manguera está dañada.	Revise la manguera respecto a orificios o rasgadas. Reemplace si se encuentra daño.
El extractor de polvo no se encenderá con la herramienta eléctrica o el control remoto equipados con Wireless Tool Control™.	El extractor de polvo no está en el modo Wireless Tool Control™ (⓪).	Mueva el interruptor de tres posiciones al modo Wireless Tool Control™ (⓪). Siga los pasos de conexión. Si el LED no se ilumina después de conectarse con el interruptor de 3 posiciones en el modo Wireless Tool Control™ (⓪), comuníquese con el centro de servicio de DEWALT.
	La herramienta remota/eléctrica no está conectada con el extractor de polvo.	Siga los pasos de conexión.
	La herramienta remota/eléctrica está fuera del alcance del extractor de polvo.	Mueva el extractor de polvo más cerca del control remoto/herramienta eléctrica.
	La celda de moneda del control remoto de Wireless Tool Control™ está descargada.	Reemplace la celda de la moneda y vuelva a intentarlo.
	La batería de la herramienta conectada está descargada.	Asegúrese que la batería de la herramienta conectada esté completamente cargada y completamente insertada.
	Bajo voltaje de la batería/conexión de la batería deficiente.	Asegúrese que la batería esté completamente cargada y completamente insertada.
	El tanque está lleno de líquido y el circuito de detección está disparado.	Vacíe el tanque.
La herramienta no se conecta.	El extractor de polvo no está en el modo Wireless Tool Control™ (⓪).	Mueva el interruptor de tres posiciones al modo Wireless Tool Control™ (⓪). Siga los pasos de conexión. Si el LED no se ilumina después de conectarse con el interruptor de 3 posiciones en el modo Wireless Tool Control™ (⓪), comuníquese con el centro de servicio de DEWALT.
	La herramienta no está habilitada para Wireless Tool Control™.	Confirme que la herramienta está habilitada con Wireless Tool Control™.

**Compatible battery packs and chargers / Blocs-piles et chargeurs compatibles /
Baterías y cargadores compatibles**

20V Max* Li-Ion	Battery Packs Blocs-piles Baterías	DCB200, DCB201, DCB203, DCB204, DCB204BT**, DCB205, DCB205BT**, DCB206, DCB208, DCB210, DCB230, DCB240, DCBP034
	Chargers Chargeurs Cargadores	DCB103, DCB104, DCB107, DCB112, DCB113, DCB115, DCB118, DCB132, DCB1102, DCB1104, DCB1106, DCB1112

60V Max* Li-Ion	Battery Packs Blocs-piles Baterías	DCB606, DCB609, DCB612
	Chargers Chargeurs Cargadores	DCB103, DCB104, DCB107, DCB112, DCB113, DCB115, DCB118, DCB1322, DCB1102, DCB1104, DCB1106, DCB1112

* Maximum initial battery voltage (measured without a workload) is 20, 60 or 120 volts. Nominal voltage is 18, 54 or 108. (120V Max* is based on using 2 DeWALT 60V Max* lithium-ion batteries combined.)

* La tension initiale maximum du bloc-piles (mesurée à vide) est de 20, 60 ou 120 volts. La tension nominale est de 18, 54 ou 108. (120 V max* se base sur l'utilisation combinée de 2 blocs-piles au lithium ion DeWALT de 60 V max*).

* El máximo voltaje inicial de la batería (medido sin carga de trabajo) es 20 o 60 voltios. El voltaje nominal es de 18, 54 o 108 V. (120 V Máx* se basan en el uso de 2 baterías de iones de litio DeWALT de 60 V Máx* combinadas.)

**BT - Bluetooth®

NOTE: The Bluetooth® word mark and logos are registered trademarks owned by the Bluetooth®, SIG, Inc. and any use of such marks by DeWALT is under license. Other trademarks and trade names are those of their respective owners.

REMARQUE : le mot servant de marque et les logos Bluetooth® sont des marques déposées appartenant à Bluetooth SIG, Inc. et toute utilisation de ces marques par DeWALT est sous licence. Les autres marques de commerce et noms commerciaux sont ceux de leurs détenteurs respectifs.

NOTA: La palabra y los logotipos de Bluetooth® son marcas registradas propiedad de Bluetooth®, SIG, Inc. y DeWALT utiliza dichas marcas bajo licencia. Otras marcas comerciales y nombres comerciales pertenecen a sus respectivos propietarios.



WARNING: Use of any other battery packs may create a risk of injury and fire.



AVERTISSEMENT : utiliser d'autres blocs-piles peut créer un risque de blessure ou d'incendie.



ADVERTENCIA: El uso de cualquier otro paquete de batería puede crear un riesgo de lesiones e incendio.

DeWALT Industrial Tool Co., 701 East Joppa Road, Towson, MD 21286
(DEC21) Part No. NA130704 DCV585 Copyright © 2018, 2019, 2020, 2021 DeWALT

The following are trademarks for one or more DeWALT power tools: the yellow and black color scheme, the "D" shaped air intake grill, the array of pyramids on the handgrip, the kit box configuration, and the array of lozenge-shaped humps on the surface of the tool.