

DEWALT®



**Instruction Manual
Guide D'utilisation
Manual de instrucciones**

DCH293

Heavy-Duty 20V Max* Cordless Rotary Hammer

Perceuse à percussion haute résistance sans fil 20 V max*

Rotomartillo inalámbrico de 20 V Máx* para trabajo pesado

www.DEWALT.com

**If you have questions or comments, contact us.
Pour toute question ou tout commentaire, nous contacter.
Si tiene dudas o comentarios, contáctenos.**

1-800-4-DEWALT

English (**original instructions**)

1

Français (*traduction de la notice d'instructions originale*)

12

Español (*traducido de las instrucciones originales*)

25

Definitions: Safety Alert Symbols and Words

This instruction manual uses the following safety alert symbols and words to alert you to hazardous situations and your risk of personal injury or property damage.



DANGER: Indicates an imminently hazardous situation which, if not avoided, **will** result in **death or serious injury**.



WARNING: Indicates a potentially hazardous situation which, if not avoided, **could** result in **death or serious injury**.



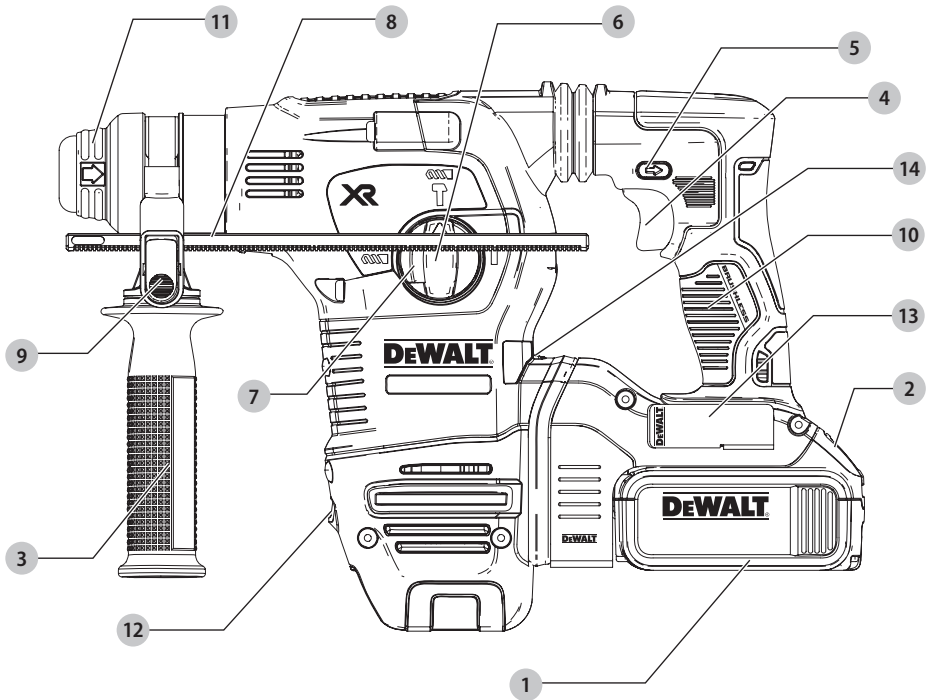
CAUTION: Indicates a potentially hazardous situation which, if not avoided, **may** result in **minor or moderate injury**.



(Used without word) Indicates a safety related message.

NOTICE: Indicates a practice **not related to personal injury** which, if not avoided, **may** result in **property damage**.

Fig. A



- | | |
|--|---------------------------|
| 1 Battery pack | 8 Depth rod |
| 2 Battery release button | 9 Depth rod adjust button |
| 3 Side handle | 10 Main handle |
| 4 Trigger switch | 11 Bit holder |
| 5 Forward/reverse control button (Lock-off button) | 12 Worklight |
| 6 Mode selector dial | 13 Utility hook |
| 7 Mode selector release button | 14 LED E-Clutch indicator |



WARNING! Read all safety warnings and all instructions. Failure to follow the warnings and instructions may result in electric shock, fire and/or serious injury.



WARNING: To reduce the risk of injury, read the instruction manual.

If you have any questions or comments about this or any DeWALT tool, call us toll free at: 1-800-4-DeWALT (1-800-433-9258).

GENERAL POWER TOOL SAFETY WARNINGS



WARNING! Read all safety warnings and all instructions. Failure to follow the warnings and instructions may result in electric shock, fire and/or serious injury.

SAVE ALL WARNINGS AND INSTRUCTIONS FOR FUTURE REFERENCE

The term "power tool" in the warnings refers to your mains-operated (corded) power tool or battery-operated (cordless) power tool.

1) Work Area Safety

- a) **Keep work area clean and well lit.** Cluttered or dark areas invite accidents.
- b) **Do not operate power tools in explosive atmospheres, such as in the presence of flammable liquids, gases or dust.** Power tools create sparks which may ignite the dust or fumes.
- c) **Keep children and bystanders away while operating a power tool.** Distractions can cause you to lose control.

2) Electrical Safety

- a) **Power tool plugs must match the outlet. Never modify the plug in any way. Do not use any adapter plugs with earthed (grounded) power tools.** Unmodified plugs and matching outlets will reduce risk of electric shock.
- b) **Avoid body contact with earthed or grounded surfaces such as pipes, radiators, ranges and refrigerators.** There is an increased risk of electric shock if your body is earthed or grounded.
- c) **Do not expose power tools to rain or wet conditions.** Water entering a power tool will increase the risk of electric shock.
- d) **Do not abuse the cord. Never use the cord for carrying, pulling or unplugging the power tool. Keep cord away from heat, oil, sharp edges or moving parts.** Damaged or entangled cords increase the risk of electric shock.
- e) **When operating a power tool outdoors, use an extension cord suitable for outdoor use.** Use of a cord suitable for outdoor use reduces the risk of electric shock.
- f) **If operating a power tool in a damp location is unavoidable, use a ground fault circuit interrupter (GFCI) protected supply.** Use of a GFCI reduces the risk of electric shock.

3) Personal Safety

- a) **Stay alert, watch what you are doing and use common sense when operating a power tool. Do not use a power tool while you are tired or under the influence of drugs, alcohol or medication.** A moment of inattention while operating power tools may result in serious personal injury.

- b) **Use personal protective equipment. Always wear eye protection.** Protective equipment such as dust mask, non-skid safety shoes, hard hat, or hearing protection used for appropriate conditions will reduce personal injuries.
- c) **Prevent unintentional starting. Ensure the switch is in the off position before connecting to power source and/or battery pack, picking up or carrying the tool.** Carrying power tools with your finger on the switch or energizing power tools that have the switch on invites accidents.
- d) **Remove any adjusting key or wrench before turning the power tool on.** A wrench or a key left attached to a rotating part of the power tool may result in personal injury.
- e) **Do not overreach. Keep proper footing and balance at all times.** This enables better control of the power tool in unexpected situations.
- f) **Dress properly. Do not wear loose clothing or jewelry. Keep your hair, clothing and gloves away from moving parts.** Loose clothes, jewelry or long hair can be caught in moving parts.
- g) **If devices are provided for the connection of dust extraction and collection facilities, ensure these are connected and properly used.** Use of dust collection can reduce dust-related hazards.

4) Power Tool Use and Care

- a) **Do not force the power tool. Use the correct power tool for your application.** The correct power tool will do the job better and safer at the rate for which it was designed.
- b) **Do not use the power tool if the switch does not turn it on and off.** Any power tool that cannot be controlled with the switch is dangerous and must be repaired.
- c) **Disconnect the plug from the power source and/or the battery pack from the power tool before making any adjustments, changing accessories, or storing power tools.** Such preventive safety measures reduce the risk of starting the power tool accidentally.
- d) **Store idle power tools out of the reach of children and do not allow persons unfamiliar with the power tool or these instructions to operate the power tool.** Power tools are dangerous in the hands of untrained users.
- e) **Maintain power tools. Check for misalignment or binding of moving parts, breakage of parts and any other condition that may affect the power tool's operation. If damaged, have the power tool repaired before use.** Many accidents are caused by poorly maintained power tools.
- f) **Keep cutting tools sharp and clean.** Properly maintained cutting tools with sharp cutting edges are less likely to bind and are easier to control.
- g) **Use the power tool, accessories and tool bits, etc. in accordance with these instructions, taking**

into account the working conditions and the work to be performed. Use of the power tool for operations different from those intended could result in a hazardous situation.

5) Battery Tool Use and Care

- Recharge only with the charger specified by the manufacturer.** A charger that is suitable for one type of battery pack may create a risk of fire when used with another battery pack.
- Use power tools only with specifically designated battery packs.** Use of any other battery packs may create a risk of injury and fire.
- When battery pack is not in use, keep it away from other metal objects, like paper clips, coins, keys, nails, screws, or other small metal objects, that can make a connection from one terminal to another.** Shorting the battery terminals together may cause burns or a fire.
- Under abusive conditions, liquid may be ejected from the battery; avoid contact. If contact accidentally occurs, flush with water. If liquid contacts eyes, additionally seek medical help.** Liquid ejected from the battery may cause irritation or burns.

6) Service

- Have your power tool serviced by a qualified repair person using only identical replacement parts.** This will ensure that the safety of the power tool is maintained.

Additional Safety Instructions for Rotary Hammers

- Wear ear protectors.** Exposure to noise can cause hearing loss.
- Use auxiliary handle(s), if supplied with the tool.** Loss of control can cause personal injury.
- Hold power tool by insulated gripping surfaces, when performing an operation where the cutting accessory may contact hidden wiring.** Cutting accessory contacting a "live" wire may make exposed metal parts of the power tool "live" and could give the operator an electric shock.
- Be certain that the material being drilled does not conceal electric or gas service and that their locations have been verified with the utility companies.**
- Use clamps or other practical way to secure and support the workpiece to a stable platform.** Holding the work by hand or against your body is unstable and may lead to loss of control.
- Wear safety goggles or other eye protection.** Hammering operations cause chips to fly. Flying particles can cause permanent eye damage. Wear a dust mask or respirator for applications that generate dust. Ear protection may be required for most applications.
- Keep a firm grip on the tool at all times. Do not attempt to operate this tool without holding it with both hands.** Operating this tool with one hand will result

in loss of control. Breaking through or encountering hard materials such as re-bar may be hazardous as well.

- Do not operate this tool for long periods of time. Vibration caused by hammer action may be harmful to your hands and arms. Use gloves to provide extra cushion and limit exposure by taking frequent rest periods.
- Do not recondition bits yourself. Chisel reconditioning should be done by an authorized specialist. Improperly reconditioned chisels could cause injury.
- Accessories and tool may get hot during operation. Wear gloves when handling them if performing heat producing applications such as hammerdrilling and drilling metals.
- Never lay the tool down until the bit has come to a complete stop. Moving bits could cause injury.
- Do not strike jammed bits with a hammer to dislodge them. Fragments of metal or material chips could dislodge and cause injury.
- Slightly worn chisels can be resharpened by grinding.
- Do not overheat the bit (discoloration) while grinding a new edge.** Badly worn chisels require reforging. Do not reharden and temper the chisel.

Additional Safety Information



WARNING: ALWAYS Use safety glasses. Everyday eyeglasses are NOT safety glasses. Also use face or dust mask if cutting operation is dusty. ALWAYS WEAR CERTIFIED SAFETY EQUIPMENT:

- ANSI Z87.1 eye protection (CAN/CSA Z94.3),
- ANSI S12.6 (S3.19) hearing protection,
- NIOSH/OSHA/MSHA respiratory protection.



WARNING: Some dust created by power sanding, sawing, grinding, drilling, and other construction activities contains chemicals known to the State of California to cause cancer, birth defects or other reproductive harm. Some examples of these chemicals are:

- lead from lead-based paints,
- crystalline silica from bricks and cement and other masonry products, and
- arsenic and chromium from chemically-treated lumber.

Your risk from these exposures varies, depending on how often you do this type of work. To reduce your exposure to these chemicals: work in a well ventilated area, and work with approved safety equipment, such as those dust masks that are specially designed to filter out microscopic particles.

- Avoid prolonged contact with dust from power sanding, sawing, grinding, drilling, and other construction activities. Wear protective clothing and wash exposed areas with soap and water.** Allowing dust to get into your mouth, eyes, or lay on the skin may promote absorption of harmful chemicals.



WARNING: Use of this tool can generate and/or disperse dust, which may cause serious and permanent respiratory or other injury. Always use NIOSH/OSHA approved respiratory protection

ENGLISH

appropriate for the dust exposure. Direct particles away from face and body.



WARNING: Always wear proper personal hearing protection that conforms to ANSI S12.6 (S3.19) during use. Under some conditions and duration of use, noise from this product may contribute to hearing loss.



CAUTION: When not in use, place tool on its side on a stable surface where it will not cause a tripping or falling hazard. Some tools with large battery packs will stand upright on the battery pack but may be easily knocked over.

- **Air vents often cover moving parts and should be avoided.** Loose clothes, jewelry or long hair can be caught in moving parts.

The label on your tool may include the following symbols. The symbols and their definitions are as follows:

V.....volts		or AC.....alternating current	
Hz.....hertz		or AC/DC... alternating or direct current	
min.....minutes			
	or DC.....direct current	Class II Construction (double insulated)
Class I Construction (grounded)	no load speed
.../min.....per minute	rated speed	
BPM.....beats per minute	earthing terminal	
IPM.....impacts per minute	safety alert symbol	
RPM.....revolutions per minute	visible radiation	
sfpm.....surface feet per minute	wear respiratory protection	
SPM.....strokes per minute	wear eye protection	
A.....amperes	wear hearing protection	
W.....watts			

BATTERIES AND CHARGERS

The battery pack is not fully charged out of the carton. Before using the battery pack and charger, read the safety instructions below and then follow charging procedures outlined. When ordering replacement battery packs, be sure to include the catalog number and voltage. Your tool uses a DeWALT charger. Be sure to read all safety instructions before using your charger. Consult the chart at the end of this manual for compatibility of chargers and battery packs.

READ ALL INSTRUCTIONS

Important Safety Instructions for All Battery Packs



WARNING: Read all safety warnings and all instructions for the battery pack, charger and power tool. Failure to follow the warnings and instructions may result in electric shock, fire and/or serious injury.

- **Do not charge or use the battery pack in explosive atmospheres, such as in the presence of flammable**

liquids, gases or dust. Inserting or removing the battery pack from the charger may ignite the dust or fumes.

- **NEVER force the battery pack into the charger. DO NOT modify the battery pack in any way to fit into a non-compatible charger as battery pack may rupture causing serious personal injury.** Consult the chart at the end of this manual for compatibility of batteries and chargers.
- Charge the battery packs only in designated DeWALT chargers.
- **DO NOT splash or immerse in water or other liquids.**
- **Do not store or use the tool and battery pack in locations where the temperature may reach or exceed 104 °F (40 °C) (such as outside sheds or metal buildings in summer).** For best life store battery packs in a cool, dry location.
- **NOTE: Do not store the battery packs in a tool with the trigger switch locked on. Never tape the trigger switch in the ON position.**
- **Do not incinerate the battery pack even if it is severely damaged or is completely worn out.** The battery pack can explode in a fire. Toxic fumes and materials are created when lithium ion battery packs are burned.
- **If battery contents come into contact with the skin, immediately wash area with mild soap and water.** If battery liquid gets into the eye, rinse water over the open eye for 15 minutes or until irritation ceases. If medical attention is needed, the battery electrolyte is composed of a mixture of liquid organic carbonates and lithium salts.
- **Contents of opened battery cells may cause respiratory irritation.** Provide fresh air. If symptoms persist, seek medical attention.



WARNING: Burn hazard. Battery liquid may be flammable if exposed to spark or flame.



WARNING: Fire hazard. Never attempt to open the battery pack for any reason. If the battery pack case is cracked or damaged, do not insert into the charger. Do not crush, drop or damage the battery pack. Do not use a battery pack or charger that has received a sharp blow, been dropped, run over or damaged in any way (e.g., pierced with a nail, hit with a hammer, stepped on). Damaged battery packs should be returned to the service center for recycling.

Transportation



WARNING: Fire hazard. Do not store or carry the battery pack so that metal objects can contact exposed battery terminals. For example, do not place the battery pack in aprons, pockets, tool boxes, product kit boxes, drawers, etc., with loose nails, screws, keys, etc. **Transporting batteries can possibly cause fires if the battery terminals inadvertently come in contact with conductive materials such as keys, coins, hand tools and the like.** The US Department of Transportation Hazardous Material Regulations (HMR) actually prohibit

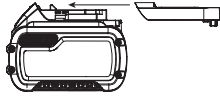
transporting batteries in commerce or on airplanes in carry-on baggage **UNLESS** they are properly protected from short circuits. So when transporting individual battery packs, make sure that the battery terminals are protected and well insulated from materials that could contact them and cause a short circuit.

Shipping the DeWALT FLEXVOLT™ Battery

The DeWALT FLEXVOLT™ battery has two modes: **Use and Shipping.**

Use Mode: When the FLEXVOLT™ battery stands alone or is in a DeWALT 20V Max* product, it will operate as a 20V Max* battery. When the FLEXVOLT™ battery is in a 60V Max* or a 120V Max* (two 60V Max* batteries) product, it will operate as a 60V Max* battery.

Shipping Mode: When the cap is attached to the FLEXVOLT™ battery, the battery is in Shipping Mode. Strings of cells are electrically disconnected within the pack resulting in three batteries with a lower Watt hour (Wh) rating as compared to one battery with a higher Watt hour rating. This increased quantity of three batteries with the lower Watt hour rating can exempt the pack from certain shipping regulations that are imposed upon the higher Watt hour batteries.



The battery label indicates two Watt hour ratings (see example). Depending on how the battery is shipped, the appropriate Watt hour rating must be used to determine the applicable shipping requirements. If utilizing the shipping cap, the pack will be considered 3 batteries at the Watt hour rating indicated for “Shipping”. If shipping without the cap or in a tool, the pack will be considered one battery at the Watt hour rating indicated next to “Use”.

Example of Use and Shipping Label Marking

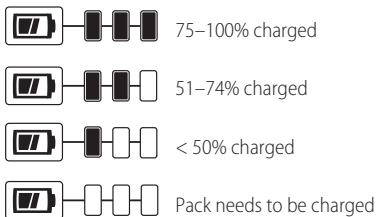
USE: 120 Wh Shipping: 3 x 40 Wh

Shipping Watt hour rating indicates 3 x 40 Wh, meaning 3 batteries of 40 Watt hours each. The Use Watt hour rating indicates 120 Watt hour (1 battery implied).

Fuel Gauge Battery Packs (Fig. B)

Some DeWALT battery packs include a fuel gauge which consists of three green LED lights that indicate the level of charge remaining in the battery pack.

The fuel gauge is an indication of approximate levels of charge remaining in the battery pack according to the following indicators:



To actuate the fuel gauge, press and hold the fuel gauge button. A combination of the three green LED lights will

illuminate designating the level of charge left. When the level of charge in the battery is below the usable limit, the fuel gauge will not illuminate and the battery will need to be recharged.

Fig. B



NOTE: The fuel gauge is only an indication of the charge left on the battery pack. It does not indicate tool functionality and is subject to variation based on product components, temperature and end-user application.

For more information regarding fuel gauge battery packs, please contact call 1-800-4-DeWALT (1-800-433-9258) or visit our website www.dewalt.com.

The RBRC® Seal

The RBRC® (Rechargeable Battery Recycling Corporation) Seal on the nickel cadmium, nickel metal hydride or lithium-ion batteries (or battery packs) indicates that the costs to recycle these batteries (or battery packs) at the end of their useful life have already been paid by DeWALT. In some areas, it is illegal to place spent nickel cadmium, nickel metal hydride or lithium-ion batteries in the trash or municipal solid waste stream and the Call 2 Recycle® program provides an environmentally conscious alternative.



Call 2 Recycle, Inc., in cooperation with DeWALT and other battery users, has established the program in the United States and Canada to facilitate the collection of spent nickel cadmium, nickel metal hydride or lithium-ion batteries. Help protect our environment and conserve natural resources by returning the spent nickel cadmium, nickel metal hydride or lithium-ion batteries to an authorized DeWALT service center or to your local retailer for recycling. You may also contact your local recycling center for information on where to drop off the spent battery. RBRC® is a registered trademark of Call 2 Recycle, Inc.

Important Safety Instructions for All Battery Chargers

⚠ WARNING: Read all safety warnings and all instructions for the battery pack, charger and power tool. Failure to follow the warnings and instructions may result in electric shock, fire and/or serious injury.

- **DO NOT attempt to charge the battery pack with any chargers other than the ones in this manual.** The charger and battery pack are specifically designed to work together.
- **These chargers are not intended for any uses other than charging DeWALT rechargeable batteries.** Any other uses may result in risk of fire, electric shock or electrocution.
- **Do not expose the charger to rain or snow.**

ENGLISH

- **Pull by the plug rather than the cord when disconnecting the charger.** This will reduce the risk of damage to the electric plug and cord.
- **Make sure that the cord is located so that it will not be stepped on, tripped over or otherwise subjected to damage or stress.**
- **Do not use an extension cord unless it is absolutely necessary.** Use of improper extension cord could result in risk of fire, electric shock or electrocution.
- **When operating a charger outdoors, always provide a dry location and use an extension cord suitable for outdoor use.** Use of a cord suitable for outdoor use reduces the risk of electric shock.
- **An extension cord must have adequate wire size (AWG or American Wire Gauge) for safety.** The smaller the gauge number of the wire, the greater the capacity of the cable, that is, 16 gauge has more capacity than 18 gauge. An undersized cord will cause a drop in line voltage resulting in loss of power and overheating. When using more than one extension to make up the total length, be sure each individual extension contains at least the minimum wire size. The following table shows the correct size to use depending on cord length and nameplate ampere rating. If in doubt, use the next heavier gauge. The lower the gauge number, the heavier the cord.

Minimum Gauge for Cord Sets

Volts		Total Length of Cord in Feet (meters)			
120 V		25 (7.6)	50 (15.2)	100 (30.5)	150 (45.7)
240 V		50 (15.2)	100 (30.5)	200 (61.0)	300 (91.4)
Ampere Rating		American Wire Gauge			
More Than	Not More Than				
0	6	18	16	16	14
6	10	18	16	14	12
10	12	16	16	14	12
12	16	14	12	Not Recommended	

- **Do not place any object on top of the charger or place the charger on a soft surface that might block the ventilation slots and result in excessive internal heat.** Place the charger in a position away from any heat source. The charger is ventilated through slots in the top and the bottom of the housing.
- **Do not operate the charger with a damaged cord or plug.**
- **Do not operate the charger if it has received a sharp blow, been dropped or otherwise damaged in any way.** Take it to an authorized service center.
- **Do not disassemble the charger; take it to an authorized service center when service or repair is required.** Incorrect reassembly may result in a risk of electric shock, electrocution or fire.
- **Disconnect the charger from the outlet before attempting any cleaning.** This will reduce the risk of electric shock. Removing the battery pack will not reduce this risk.

- **NEVER attempt to connect 2 chargers together.**
- **The charger is designed to operate on standard 120V household electrical power. Do not attempt to use it on any other voltage.** This does not apply to the vehicular charger.



WARNING: Shock hazard. Do not allow any liquid to get inside the charger. Electric shock may result.



WARNING: Burn hazard. Do not submerge the battery pack in any liquid or allow any liquid to enter the battery pack. Never attempt to open the battery pack for any reason. If the plastic housing of the battery pack breaks or cracks, return to a service center for recycling.



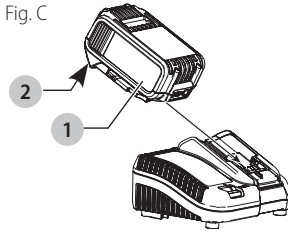
CAUTION: Burn hazard. To reduce the risk of injury, charge only DeWALT rechargeable battery packs. Other types of batteries may overheat and burst resulting in personal injury and property damage.

NOTICE: Under certain conditions, with the charger plugged into the power supply, the charger can be shorted by foreign material. Foreign materials of a conductive nature, such as, but not limited to, grinding dust, metal chips, steel wool, aluminum foil or any buildup of metallic particles should be kept away from the charger cavities. Always unplug the charger from the power supply when there is no battery pack in the cavity. Unplug the charger before attempting to clean.

Charging a Battery (Fig. C)

1. Plug the charger into an appropriate outlet before inserting battery pack.

Fig. C










2. Insert the battery pack 1 into the charger, making sure the battery pack is fully seated in the charger. The red (charging) light will blink continuously indicating that the charging process has started.
3. The completion of charge will be indicated by the red light remaining ON continuously. The battery pack is fully charged and may be used at this time or left in the charger. To remove the battery pack from the charger, push the battery release button 2 on the battery pack.

NOTE: To ensure maximum performance and life of lithium-ion battery packs, charge the battery pack fully before first use.

Charger Operation

Refer to the indicators below for the charge status of the battery pack.

DCB101	
 Charging	--- ---
 Fully Charged	—————
 Hot/Cold Pack Delay	---•---•---
 Problem Pack or Charger	••••••••••
DCB107, DCB112, DCB113, DCB115, DCB118, DCB132	
 Charging	--- ---
 Fully Charged	—————
 Hot/Cold Pack Delay*	--- ---

*DCB107, DCB112, DCB113, DCB115, DCB118, DCB132:

The red light will continue to blink, but a yellow indicator light will be illuminated during this operation. Once the battery pack has reached an appropriate temperature, the yellow light will turn off and the charger will resume the charging procedure.

The compatible charger(s) will not charge a faulty battery pack. The charger will indicate faulty battery pack by refusing to light or by displaying a problem pack or charger blink pattern.

NOTE: This could also mean a problem with a charger.

If the charger indicates a problem, take the charger and battery pack to be tested at an authorized service center.

Hot/Cold Pack Delay

When the charger detects a battery pack that is too hot or too cold, it automatically starts a Hot/Cold Pack Delay, suspending charging until the battery pack has reached an appropriate temperature. The charger then automatically switches to the pack charging mode. This feature ensures maximum battery pack life.

A cold battery pack will charge at a slower rate than a warm battery pack. The battery pack will charge at that slower rate throughout the entire charging cycle and will not return to maximum charge rate even if the battery pack warms.

The DCB118 charger is equipped with an internal fan designed to cool the battery pack. The fan will turn on automatically when the battery pack needs to be cooled.

Never operate the charger if the fan does not operate properly or if ventilation slots are blocked. Do not permit foreign objects to enter the interior of the charger.

Electronic Protection System

Li-Ion tools are designed with an Electronic Protection System that will protect the battery pack against overloading, overheating or deep discharge.

The tool will automatically turn off if the Electronic Protection System engages. If this occurs, place the lithium-ion battery pack on the charger until it is fully charged.

Wall Mounting

DCB107, DCB112, DCB113, DCB115, DCB118, DCB132

These chargers are designed to be wall mountable or to sit upright on a table or work surface. If wall mounting,

locate the charger within reach of an electrical outlet, and away from a corner or other obstructions which may impede air flow. Use the back of the charger as a template for the location of the mounting screws on the wall. Mount the charger securely using drywall screws (purchased separately) at least 1" (25.4 mm) long, with a screw head diameter of 0.28–0.35" (7–9 mm), screwed into wood to an optimal depth leaving approximately 7/32" (5.5 mm) of the screw exposed. Align the slots on the back of the charger with the exposed screws and fully engage them in the slots.

Charger Cleaning Instructions



WARNING: Shock hazard. Disconnect the charger from the AC outlet before cleaning. Dirt and grease may be removed from the exterior of the charger using a cloth or soft non-metallic brush. Do not use water or any cleaning solutions.

Important Charging Notes

- Longest life and best performance can be obtained if the battery pack is charged when the air temperature is between 65 °F and 75 °F (18 ° – 24 °C). DO NOT charge the battery pack in an air temperature below +40 °F (+4.5 °C), or above +104 °F (+40 °C). This is important and will prevent serious damage to the battery pack.
- The charger and battery pack may become warm to the touch while charging. This is a normal condition, and does not indicate a problem. To facilitate the cooling of the battery pack after use, avoid placing the charger or battery pack in a warm environment such as in a metal shed or an uninsulated trailer.
- If the battery pack does not charge properly:
 - Check operation of receptacle by plugging in a lamp or other appliance;
 - Check to see if receptacle is connected to a light switch which turns power off when you turn out the lights;
 - Move the charger and battery pack to a location where the surrounding air temperature is approximately 65 °F – 75 °F (18 ° – 24 °C);
 - If charging problems persist, take the tool, battery pack and charger to your local service center.
- The battery pack should be recharged when it fails to produce sufficient power on jobs which were easily done previously. DO NOT CONTINUE to use under these conditions. Follow the charging procedure. You may also charge a partially used pack whenever you desire with no adverse effect on the battery pack.
- Foreign materials of a conductive nature such as, but not limited to, grinding dust, metal chips, steel wool, aluminum foil, or any buildup of metallic particles should be kept away from charger cavities. Always unplug the charger from the power supply when there is no battery pack in the cavity. Unplug the charger before attempting to clean.

ENGLISH

6. Do not freeze or immerse the charger in water or any other liquid.

Storage Recommendations

1. The best storage place is one that is cool and dry, away from direct sunlight and excess heat or cold.
2. For long storage, it is recommended to store a fully charged battery pack in a cool dry place out of the charger for optimal results.

NOTE: Battery packs should not be stored completely depleted of charge. The battery pack will need to be recharged before use.

SAVE THESE INSTRUCTIONS FOR FUTURE USE

COMPONENTS (FIG. A)

WARNING: Never modify the power tool or any part of it. Damage or personal injury could result.

Refer to Figure A at the beginning of this manual for a complete list of components.

INTENDED USE

Your heavy-duty cordless rotary hammers are designed for professional concrete drilling and chiseling applications.

DO NOT use under wet conditions or in presence of flammable liquids or gases.

Your heavy-duty cordless rotary hammers are professional power tools.

DO NOT let children come into contact with the tool. Supervision is required when inexperienced operators use this tool.

ASSEMBLY AND ADJUSTMENTS

WARNING: To reduce the risk of serious personal injury, turn unit off and remove the battery pack before making any adjustments or removing/ installing attachments or accessories. An accidental start-up can cause injury.

Side Handle and Depth Rod (Fig. A, D)

WARNING: To reduce the risk of personal injury, ALWAYS operate the tool with the side handle properly installed. Failure to do so may result in the side handle slipping during tool operation and subsequent loss of control. Hold tool with both hands to maximize control.

The side handle **3** clamps to the front of the gear case and may be rotated 360° to permit right- or left-hand use. The side handle must be tightened sufficiently to resist the twisting action of the tool if the accessory binds or stalls. Be sure to grip the side handle at the far end to control the tool during a stall.

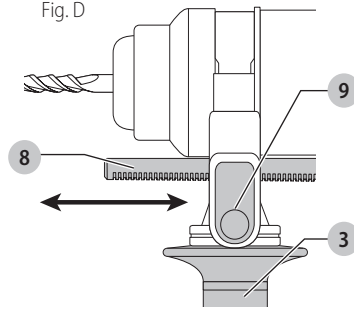
To loosen side handle, rotate counterclockwise.

To Adjust the Depth Rod (Fig. D)

1. Push in and hold the depth rod release button **9** on the side handle.

2. Move the depth rod **8** so the distance between the end of the rod and the end of the bit equals the desired drilling depth.

Fig. D



3. Release the button to lock rod into position. When drilling with the depth rod, stop when end of rod reaches surface of material.

Utility Hook (Fig. A, E)

WARNING: To reduce the risk of serious personal injury, DO NOT suspend tool overhead or suspend objects from the utility hook. DO NOT use the utility hook for tethering or securing the tool to a person or object during use.

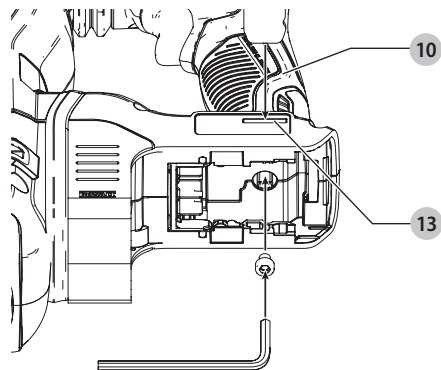
A utility hook **13** is fitted below the main handle **10** on the left side of the tool.

- To extend the utility hook pull it out from the side of the tool.
- To store the utility hook push it back flush with the side of the tool.

If desired, the utility hook **13** can be removed completely.

1. Push the utility hook into the flush position and remove the hex head screw located on the underside of the main handle.
2. Pull out the utility hook until it is free from the unit.
3. Re-insert the hex screw and tighten securely.

Fig. E



Bit and Bit Holder

WARNING: Burn Hazard. *ALWAYS* wear gloves when changing bits. Accessible metal parts on the tool and bits may get extremely hot during operation. Small bits of broken material may damage bare hands.

The hammerdrill can be fitted with different bits depending on the desired application. **Use sharp drill bits only.**

Bit Recommendations

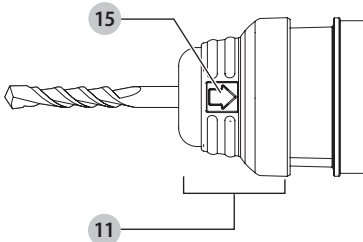
- For wood, use twist bits, spade bits, power auger bits or hole saws.
- For metal, use high-speed steel twist drill bits or hole saws. Use a cutting lubricant when drilling metals. The exceptions are cast iron and brass which should be drilled dry.
- For masonry, such as brick, cement, cinder block, etc., use carbide-tipped bits rated for percussion drilling.

SDS Plus Bit Holder (Fig. F)

NOTE: Special adapters are needed to use the SDS Plus bit holder with straight shank bits and hexagonal screwdriver bits. Refer to **Accessories**.

To insert a drill bit or other accessory:

1. Insert the shank of the bit about 19 mm (3/4") into SDS Plus tool holder **11**.
2. Push and rotate bit until it locks in place. The bit will be securely held.
3. To release bit, pull the sleeve **15** back and remove the bit.



OPERATION

WARNING: To reduce the risk of serious personal injury, turn unit off and remove the battery pack before making any adjustments or removing/installing attachments or accessories. An accidental start-up can cause injury.

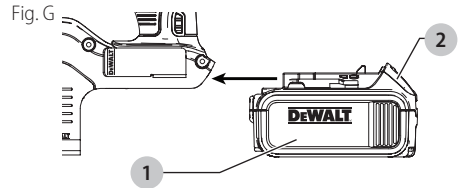
Installing and Removing the Battery Pack (Fig. G)

NOTE: For best results, make sure your battery pack is fully charged.

To install the battery pack **1** into the tool handle, align the battery pack with the rails inside the tool's handle and slide it into the handle until the battery pack is firmly seated in the tool and ensure that it does not disengage.

To remove the battery pack from the tool, press the release button **2** and firmly pull the battery pack out of the tool

handle. Insert it into the charger as described in the charger section of this manual.



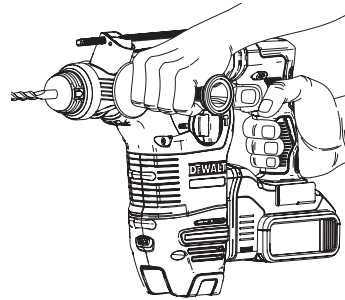
Proper Hand Position (Fig. H)

WARNING: To reduce the risk of serious personal injury, **ALWAYS** use proper hand position as shown.

WARNING: To reduce the risk of serious personal injury, **ALWAYS** hold securely in anticipation of a sudden reaction.

Proper hand position requires one hand on the side handle, with the other hand on the main handle. Hold tool firmly with both hands to control the twisting action of the drill.

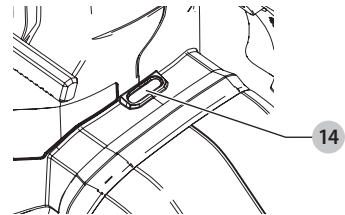
Fig. H



E-Clutch® System (Fig. I)

The DeWALT E-Clutch® system senses the motion of the tool and reduces the motor torque to a manageable level if necessary. The E-Clutch® indicator **14** will illuminate to indicate status.

Fig. I



Indicator	Diagnosis	Solution
OFF	Tool is functioning normally	Follow all warnings and instructions when operating the tool.
SOLID	E-Clutch® System has been activated (ENGAGED)	With the tool properly supported, release trigger. The tool will function normally when the trigger is depressed again and the indicator light will go out

ENGLISH




⚠ WARNING: Drill may stall if overloaded causing a sudden twist. Always expect the stall. Grip the drill firmly to control the twisting action and avoid injury.

Operation Modes (Fig. J)

⚠ WARNING: Do not select the operating mode when the tool is running.

⚠ CAUTION: Never use in Rotary Drilling or Rotary Hammering mode with a chisel bit in the bit holder. Personal injury and damage to the tool may result.

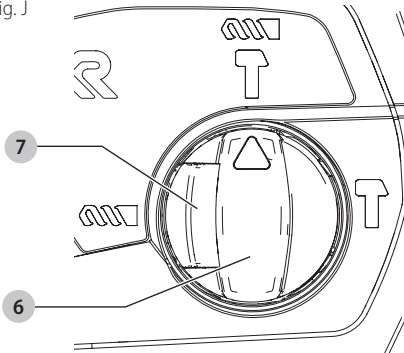
Your tool is equipped with a mode selector dial **6** to select the mode appropriate to desired operation.

Symbol	Mode	Application
	Rotary Drilling	Screwdriving Drilling into steel, wood and plastics
	Rotary Hammering	Drilling into concrete and masonry
	Hammering only	Light chipping

To select an operating mode:

1. Depress the mode selector release button **7**.
2. Rotate the mode selector dial so that the arrow points to the symbol corresponding for the desired mode.

Fig. J



NOTE: The arrow on the mode selector dial **6** must be pointing at a mode symbol at all times. There are no operable positions in between. It may be necessary to briefly run the motor after having changed from 'hammering only' to 'rotary' modes in order to align the gears.

Performing an Application (Fig. A, K)

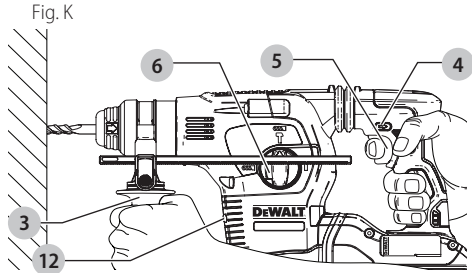
⚠ WARNING: TO REDUCE THE RISK OF PERSONAL INJURY, ALWAYS ensure workpiece is anchored or clamped firmly. If drilling thin material, use a wood "back-up" block to prevent damage to the material.

⚠ WARNING: Always wait until the motor has come to a complete standstill before changing the direction of rotation.

1. Choose and install the appropriate chuck, adapter, and/or bit onto to the tool. Refer to **Bit and Bit Holder**.

2. Using the mode selector dial **6**, select the mode appropriate to desired application. Refer to **Operation Modes**.
3. Adjust the side handle **3** as necessary.
4. Select the direction of rotation using the forward/reverse button **4**. When changing the position of the control button, be sure the trigger is released.
 - To select forward rotation, press the forward/reverse control button on the right side of the tool.
 - To select reverse, press the forward/reverse control button on the left side of the tool.

NOTE: The center position of the control button locks the tool in the off position.



5. Place the bit/chisel on the desired location.
6. Depress the trigger switch **5**. The farther you depress the trigger switch, the faster the tool will operate. For maximum tool life, use variable speed only for starting holes or fasteners.

NOTE: Depending on your tool, depressing the trigger switch activates a worklight **12** designed to illuminate the immediate work surface. Refer to **Components**. The worklight will automatically turn off shortly after the trigger switch is released. The worklight is not intended to be used as a flashlight.

7. To stop the hammer, release the switch.

Recommendations for Tool Operation

- Large (5/16" to 1/2" [7.9 mm to 12.7 mm]) holes in steel can be made easier if a pilot hole (5/32" to 3/16" [4 mm to 4.8 mm]) is drilled first.
- When drilling, always apply pressure in a straight line with the bit, but do not push hard enough to stall the motor or deflect the bit. A smooth even flow of material indicates the proper drilling rate.
- If drilling thin material or material that is prone to splinter, use a wood "back-up" block to prevent damage to the work piece.

⚠ WARNING:

- Do not use this tool to mix or pump easily combustible or explosive fluids (benzene, alcohol, etc.).
- Do not mix or stir inflammable liquids labelled accordingly.

MAINTENANCE



WARNING: To reduce the risk of serious personal injury, turn unit off and remove the battery pack before making any adjustments or removing/installing attachments or accessories. An accidental start-up can cause injury.

Cleaning



WARNING: Blow dirt and dust out of all air vents with clean, dry air at least once a week. To minimize the risk of eye injury, always wear ANSI Z87.1 approved eye protection when performing this.



WARNING: Never use solvents or other harsh chemicals for cleaning the non-metallic parts of the tool. These chemicals may weaken the plastic materials used in these parts. Use a cloth dampened only with water and mild soap. Never let any liquid get inside the tool; never immerse any part of the tool into a liquid.

Accessories



WARNING: Since accessories, other than those offered by DeWALT, have not been tested with this product, use of such accessories with this tool could be hazardous. To reduce the risk of injury, only DeWALT recommended accessories should be used with this product.

Various types of SDS Plus drill bits and chisels are available as an option. Accessories and attachments used must be regularly lubricated around the SDS Plus fitment.

Recommended accessories for use with your tool are available at extra cost from your local dealer or authorized service center. If you need assistance in locating any accessory, please contact DeWALT Industrial Tool Co., 701 East Joppa Road, Towson, MD 21286, call 1-800-4-DeWALT (1-800-433-9258) or visit our website: www.dewalt.com.

Repairs

The charger and battery pack are not serviceable.



WARNING: To assure product SAFETY and RELIABILITY, repairs, maintenance and adjustment (including brush inspection and replacement) should be performed by a DeWALT factory service center or a DeWALT authorized service center. Always use identical replacement parts.

Register Online

Thank you for your purchase. Register your product now for:

- **WARRANTY SERVICE:** Registering your product will help you obtain more efficient warranty service in case there is a problem with your product.
- **CONFIRMATION OF OWNERSHIP:** In case of an insurance loss, such as fire, flood or theft, your registration of ownership will serve as your proof of purchase.

- **FOR YOUR SAFETY:** Registering your product will allow us to contact you in the unlikely event a safety notification is required under the Federal Consumer Safety Act.

Register online at www.dewalt.com/register.

Three Year Limited Warranty

DeWALT will repair, without charge, any defects due to faulty materials or workmanship for three years from the date of purchase. This warranty does not cover part failure due to normal wear or tool abuse. For further detail of warranty coverage and warranty repair information, visit www.dewalt.com or call 1-800-4-DeWALT (1-800-433-9258). This warranty does not apply to accessories or damage caused where repairs have been made or attempted by others. This warranty gives you specific legal rights and you may have other rights which vary in certain states or provinces.

In addition to the warranty, DeWALT tools are covered by our:

2 YEAR FREE SERVICE

DeWALT will maintain the tool and replace worn parts caused by normal use, for free, any time during the first two years after purchase.

2 YEARS FREE SERVICE ON DEWALT BATTERY PACKS

DC9071, DC9091, DC9096, DC9182, DC9280, DC9360, DCB120, DCB127, DCB201, DCB203, DCB203BT, DCB207, DCB361

3 YEARS FREE SERVICE ON DEWALT BATTERY PACKS

DCB200, DCB204, DCB204BT, DCB205, DCB206, DCB606, DCB609

NOTE: Battery warranty voided if the battery pack is tampered with in any way. DeWALT is not responsible for any injury caused by tampering and may prosecute warranty fraud to the fullest extent permitted by law.

90 DAY MONEY BACK GUARANTEE

If you are not completely satisfied with the performance of your DeWALT Power Tool, Laser, or Nailer for any reason, you can return it within 90 days from the date of purchase with a receipt for a full refund – no questions asked.

LATIN AMERICA: This warranty does not apply to products sold in Latin America. For products sold in Latin America, see country specific warranty information contained in the packaging, call the local company or see website for warranty information.

FREE WARNING LABEL REPLACEMENT: If your warning labels become illegible or are missing, call 1-800-4-DeWALT (1-800-433-9258) for a free replacement.

Définitions : symboles et termes d'alarmes sécurité

Ces guides d'utilisation utilisent les symboles et termes d'alarmes sécurité suivants pour vous prévenir de situations dangereuses et de risques de dommages corporels ou matériels.



DANGER : indique une situation dangereuse imminente qui, si elle n'est pas évitée, **entraînera la mort ou des blessures graves**.



AVERTISSEMENT : indique une situation potentiellement dangereuse qui, si elle n'est pas évitée, **pourrait entraîner la mort ou des blessures graves**.



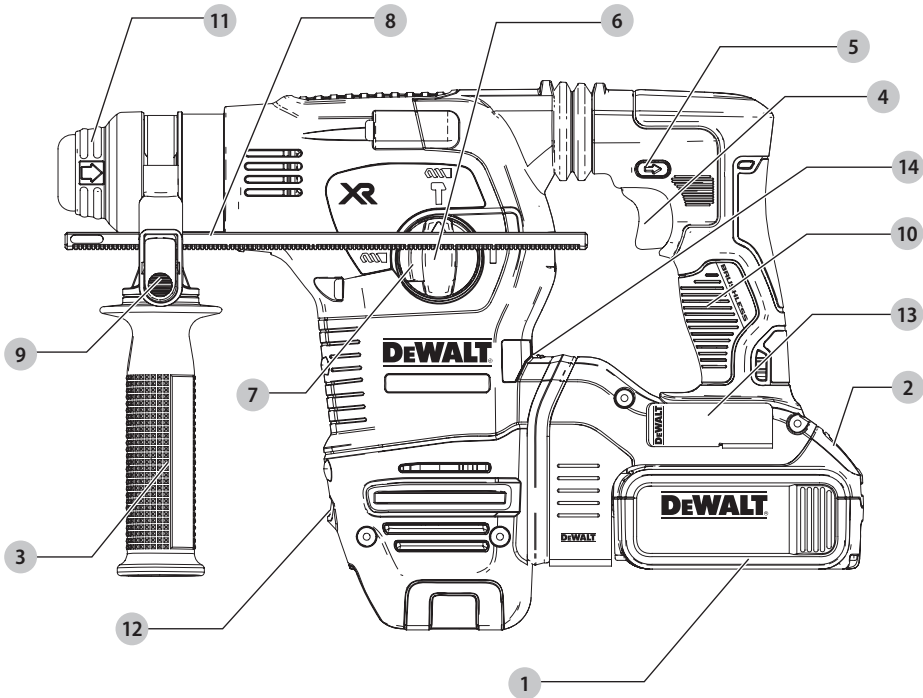
ATTENTION : indique une situation potentiellement dangereuse qui, si elle n'est pas évitée, **pourrait entraîner des blessures légères ou modérées**.



(Si utilisé sans aucun terme) Indique un message propre à la sécurité.

AVIS : indique une pratique ne posant **aucun risque de dommages corporels** mais qui par contre, si rien n'est fait pour l'éviter, **pourrait poser des risques de dommages matériels**.

Fig. A



- | | |
|---|--|
| 1 Bloc-piles | 7 Bouton de libération du sélecteur de mode |
| 2 Bouton de libération du bloc-piles | 8 Tige de profondeur |
| 3 Poignée latérale | 9 Bouton de réglage de la tige de profondeur |
| 4 Gâchette | 10 Poignée principale |
| 5 Bouton de marche avant/arrière (Bouton de verrouillage) | 11 Porte-embout |
| 6 Cadran de sélection de mode | 12 Lampe de travail |
| | 13 Crochet polyvalent |
| | 14 Voyant DEL E-Clutch |



AVERTISSEMENT! lire tous les avertissements de sécurité et toutes les directives. Le non-respect des avertissements et des directives pourrait se solder par un choc électrique, un incendie et/ou une blessure grave.



AVERTISSEMENT : afin de réduire le risque de blessures, lire le mode d'emploi de l'outil.

Pour toute question ou remarque au sujet de cet outil ou de tout autre outil DeWALT, composez le numéro sans frais : 1-800-4-DeWALT (1-800-433-9258).

AVERTISSEMENTS DE SÉCURITÉ GÉNÉRAUX POUR LES OUTILS ÉLECTRIQUES



AVERTISSEMENT! lire tous les avertissements de sécurité et toutes les directives. Le non-respect des avertissements et des directives pourrait se solder par un choc électrique, un incendie et/ou une blessure grave.

CONSERVER TOUS LES AVERTISSEMENTS ET TOUTES LES DIRECTIVES POUR UN USAGE ULTÉRIEUR

Le terme « outil électrique » cité dans les avertissements se rapporte à votre outil électrique à alimentation sur secteur (avec fil) ou par piles (sans fil).

1) Sécurité du lieu de travail

- Tenir l'aire de travail propre et bien éclairée.** Les lieux encombrés ou sombres sont propices aux accidents.
- Ne pas faire fonctionner d'outils électriques dans un milieu déflagrant, tel qu'en présence de liquides, de gaz ou de poussières inflammables.** Les outils électriques produisent des étincelles qui pourraient enflammer la poussière ou les vapeurs.
- Éloigner les enfants et les personnes à proximité pendant l'utilisation d'un outil électrique.** Une distraction pourrait en faire perdre la maîtrise à l'utilisateur.

2) Sécurité en matière d'électricité

- Les fiches des outils électriques doivent correspondre à la prise. Ne jamais modifier la fiche d'aucune façon. Ne jamais utiliser de fiche d'adaptation avec un outil électrique mis à la terre.** Le risque de choc électrique sera réduit par l'utilisation de fiches non modifiées correspondant à la prise.
- Éviter tout contact physique avec des surfaces mises à la terre comme des tuyaux, des radiateurs, des cuisinières et des réfrigérateurs.** Le risque de choc électrique est plus élevé si votre corps est mis à la terre.
- Ne pas exposer les outils électriques à la pluie ou à l'humidité.** La pénétration de l'eau dans un outil électrique augmente le risque de choc électrique.
- Ne pas utiliser le cordon de façon abusive. Ne jamais utiliser le cordon pour transporter, tirer ou débrancher un outil électrique. Tenir le cordon éloigné de la chaleur, de l'huile, des bords tranchants et des pièces mobiles.** Les cordons endommagés ou enchevêtrés augmentent les risques de choc électrique.
- Pour l'utilisation d'un outil électrique à l'extérieur, se servir d'une rallonge convenant à cette application.** L'utilisation d'une rallonge conçue pour l'extérieur réduira les risques de choc électrique.

- S'il est impossible d'éviter l'utilisation d'un outil électrique dans un endroit humide, brancher l'outil dans une prise ou sur un circuit d'alimentation dotés d'un disjoncteur de fuite à la terre (GFCI).** L'utilisation de ce type de disjoncteur réduit les risques de choc électrique.

3) Sécurité personnelle

- Être vigilant, surveiller le travail effectué et faire preuve de jugement lorsqu'un outil électrique est utilisé. Ne pas utiliser d'outil électrique en cas de fatigue ou sous l'influence de drogues, d'alcool ou de médicaments.** Un simple moment d'inattention en utilisant un outil électrique peut entraîner des blessures corporelles graves.
- Utiliser des équipements de protection individuelle. Toujours porter une protection oculaire.** L'utilisation d'équipements de protection comme un masque antipoussière, des chaussures antidérapantes, un casque de sécurité ou des protecteurs auditifs lorsque la situation le requiert réduira les risques de blessures corporelles.
- Empêcher les démarrages intempestifs. S'assurer que l'interrupteur se trouve à la position d'arrêt avant de relier l'outil à une source d'alimentation et/ou d'insérer un bloc-piles, de ramasser ou de transporter l'outil.** Transporter un outil électrique alors que le doigt repose sur l'interrupteur ou brancher un outil électrique dont l'interrupteur est à la position de marche risque de provoquer un accident.
- Retirer toute clé de réglage ou clé avant de démarrer l'outil.** Une clé ou une clé de réglage attachée à une partie pivotante de l'outil électrique peut provoquer des blessures corporelles.
- Ne pas trop tendre les bras. Conserver son équilibre en tout temps.** Cela permet de mieux maîtriser l'outil électrique dans les situations imprévues.
- S'habiller de manière appropriée. Ne pas porter de vêtements amples ni de bijoux. Garder les cheveux, les vêtements et les gants à l'écart des pièces mobiles.** Les vêtements amples, les bijoux ou les cheveux longs risquent de rester coincés dans les pièces mobiles.
- Si des composants sont fournis pour le raccordement de dispositifs de dépoussiérage et de ramassage, s'assurer que ceux-ci sont bien raccordés et utilisés.** L'utilisation d'un dispositif de dépoussiérage peut réduire les dangers engendrés par les poussières.

4) Utilisation et entretien d'un outil électrique

- Ne pas forcer un outil électrique. Utiliser l'outil électrique approprié à l'application.** L'outil électrique approprié effectuera un meilleur travail, de façon plus sûre et à la vitesse pour laquelle il a été conçu.

- b) **Ne pas utiliser un outil électrique dont l'interrupteur est défectueux.** Tout outil électrique dont l'interrupteur est défectueux est dangereux et doit être réparé.
- c) **Débrancher la fiche de la source d'alimentation et/ou du bloc-piles de l'outil électrique avant de faire tout réglage ou changement d'accessoire ou avant de ranger l'outil.** Ces mesures préventives réduisent les risques de démarrage accidentel de l'outil électrique.
- d) **Ranger les outils électriques hors de la portée des enfants et ne permettre à aucune personne n'étant pas familière avec un outil électrique ou son mode d'emploi d'utiliser cet outil.** Les outils électriques deviennent dangereux entre les mains d'utilisateurs inexpérimentés.
- e) **Entretien des outils électriques. Vérifier si les pièces mobiles sont mal alignées ou coincées, si des pièces sont brisées ou présentent toute autre condition susceptible de nuire au bon fonctionnement de l'outil électrique. En cas de dommage, faire réparer l'outil électrique avant toute nouvelle utilisation.** Beaucoup d'accidents sont causés par des outils électriques mal entretenus.
- f) **S'assurer que les outils de coupe sont aiguisés et propres.** Les outils de coupe bien entretenus et affûtés sont moins susceptibles de se coincer et sont plus faciles à maîtriser.
- g) **Utiliser l'outil électrique, les accessoires, les forets, etc. conformément aux présentes directives en tenant compte des conditions de travail et du travail à effectuer.** L'utilisation d'un outil électrique pour toute opération autre que celle pour laquelle il a été conçu est dangereuse.

5) Utilisation et entretien du bloc-piles

- a) **Ne recharger l'outil qu'au moyen du chargeur précisé par le fabricant.** L'utilisation d'un chargeur qui convient à un type de bloc-piles risque de provoquer un incendie s'il est utilisé avec un autre type de bloc-piles.
- b) **Utiliser les outils électriques uniquement avec les blocs-piles conçus à cet effet.** L'utilisation de tout autre bloc-piles risque de causer des blessures ou un incendie.
- c) **Lorsque le bloc-piles n'est pas utilisé, le tenir éloigné des objets métalliques, notamment des trombones, de la monnaie, des clés, des clous, des vis ou autres petits objets métalliques qui peuvent établir une connexion entre les deux bornes.** Le court-circuit des bornes du bloc-piles risque de provoquer des brûlures ou un incendie.
- d) **En cas d'utilisation abusive, le liquide peut gicler hors du bloc-piles; éviter tout contact avec ce liquide. Si un contact accidentel se produit, laver à grande eau. Si le liquide entre en contact avec les yeux, obtenir également des soins médicaux.** Le liquide qui gicle hors du bloc-piles peut provoquer des irritations ou des brûlures.

6) Réparation

- a) **Faire réparer l'outil électrique par un réparateur professionnel en n'utilisant que des pièces de rechange identiques.** Cela permettra de maintenir une utilisation sécuritaire de l'outil électrique.

Consignes de sécurité additionnelles propres aux marteaux rotatifs

- **Porter une protection auditive.** L'exposition au bruit peut causer une perte de l'acuité auditive.
- **Utiliser toute poignée auxiliaire fournie avec l'outil.** Toute perte de contrôle de l'outil poserait des risques de dommages corporels.
- **Tenir l'outil électrique par les surfaces de prise isolées pour effectuer un travail où un organe de coupe pourrait rencontrer des câblages cachés.** Tout contact de l'organe de coupe avec un fil sous tension mettra les parties métalliques exposées de l'outil électrique sous tension et électrocutera l'utilisateur.
- **S'assurer que le matériau à percer ne cache aucune alimentation en électricité ou en gaz, et que leur emplacement a été vérifié auprès des services correspondants.**
- **Utiliser des serre-joints ou tout autre moyen pour fixer et immobiliser le matériau sur une surface stable.** Tenir la pièce à la main ou contre son corps offre une stabilité insuffisante qui pourrait vous en faire perdre le contrôle.
- **Porter des lunettes de protection ou toute autre protection oculaire.** Le martelage produit des débris dans l'air. Et ces particules posent des risques de dommages oculaires permanents. Porter un masque anti-poussière ou un appareil de protection des voies respiratoires lors d'applications produisant de la poussière. Une protection auditive pourra être nécessaire pour la plupart des applications.
- **Maintenir systématiquement l'outil fermement. Ne jamais utiliser l'outil sans le maintenir à deux mains.** Le maintenir à une main provoquera la perte de contrôle de l'outil. Traverser soudainement une paroi ou rencontrer des matériaux durs, comme des armatures, pose également des risques.
- **Ne pas utiliser cet outil de façon prolongée.** Les vibrations causées par le martelage peuvent être nocives pour les mains ou les bras. Porter des gants pour amortir les chocs, et limiter le temps de travail en faisant des pauses fréquentes.
- **Ne pas réusinier les embouts soi-même.** Le réusinage des burins ne doit être effectué que par un spécialiste agréé. Des burins réusinés incorrectement posent des risques de dommages corporels.
- **Les accessoires et l'outil pourront chauffer pendant l'utilisation.** Porter des gants pendant leur utilisation pour effectuer des travaux produisant beaucoup de chaleur comme le perçage à percussion et le perçage des métaux.

- Attendre systématiquement l'arrêt complet de l'embout avant de déposer l'outil où que ce soit. Manipuler des embouts pose des risques de dommages corporels.
- Ne pas taper avec un marteau sur un embout grippé pour le déloger. Des fragments de métal ou des débris pourraient s'échapper et causer des dommages corporels.
- Des burins légèrement émoussés peuvent être affûtés par meulage.
- **Ne pas surchauffer l'embout (décoloration) pendant le réaffutage.** Les burins très émoussés doivent être résinés. Ne pas retremper ou traiter par recuit un burin.

Consigne de sécurité supplémentaire

AVERTISSEMENT : porter **SYSTEMATIQUEMENT** des lunettes de protection. Les lunettes courantes NE sont PAS des lunettes de protection. Utiliser aussi un masque antipoussières si la découpe doit en produire beaucoup. **PORTER SYSTEMATIQUEMENT UN ÉQUIPEMENT DE SÉCURITÉ HOMOLOGUÉ :**

- Protection oculaire ANSI Z87.1 (CAN/CSA Z94.3) ;
- Protection auditive ANSI S12.6 (S3.19) ;
- Protection des voies respiratoires NIOSH/OSHA/MSHA.

AVERTISSEMENT : les scies, meules, ponceuses, perceuses ou autres outils de construction peuvent produire des poussières contenant des produits chimiques reconnus par l'État californien pour causer cancers, malformations congénitales ou être nocifs au système reproducteur. Parmi ces produits chimiques, on retrouve :

- Le plomb dans les peintures à base de plomb ;
- La silice cristallisée dans les briques et le ciment, ou autres produits de maçonnerie ; et
- L'arsenic et le chrome dans le bois ayant subi un traitement chimique.

Le risque associé à de telles expositions varie selon la fréquence à laquelle on effectue ces travaux. Pour réduire toute exposition à ces produits : travailler dans un endroit bien aéré, en utilisant du matériel de sécurité homologué, tel un masque antipoussières spécialement conçu pour filtrer les particules microscopiques.

- **Limiter toute exposition prolongée avec les poussières provenant du ponçage, sciage, meulage, perçage ou toute autre activité de construction. Porter des vêtements de protection et nettoyer à l'eau savonneuse les parties du corps exposées.** Le fait de laisser la poussière pénétrer dans la bouche, les yeux ou la peau peut favoriser l'absorption de produits chimiques dangereux.

AVERTISSEMENT : cet outil peut produire et/ou répandre de la poussière susceptible de causer des dommages sérieux et permanents au système respiratoire. Utiliser systématiquement un appareil de protection des voies respiratoires homologué par le NIOSH ou l'OSHA. Diriger les particules dans le sens opposé au visage et au corps.

AVERTISSEMENT : pendant l'utilisation, porter systématiquement une protection auditive individuelle adéquate homologuée ANSI S12.6 (S3.19). Sous certaines conditions et suivant la durée d'utilisation, le bruit émanant de ce produit pourrait contribuer à une perte de l'acuité auditive.

ATTENTION : après utilisation, ranger l'outil sur son côté, sur une surface stable, là où il ne pourra ni faire trébucher ni faire chuter quelqu'un. Certains outils équipés d'un large bloc-piles peuvent tenir à la verticale sur celui-ci, mais manquent alors de stabilité.

- **Prendre des précautions à proximité des événements, car ils cachent des pièces mobiles.** Vêtements amples, bijoux ou cheveux longs risquent de rester coincés dans ces pièces mobiles.

L'étiquette apposée sur votre outil peut inclure les symboles suivants. Les symboles et leur définition sont indiqués ci-après :

V	volts	W	watts
Hz	hertz	~ or AC.....	courant alternatif
min	minutes	⎓ or AC/DC.....	courant alternatif ou continu
— — or DC.....	courant continu	□	fabrication classe II (double isolation)
Ⓢ	fabrication classe I (mis à la terre)	n ₀	vitesse à vide
.../min.....	par minute	n	vitesse nominale
BPM.....	battements par minute	⊕	borne de terre
IPM.....	impacts par minute	⚠	symbole d'avertissement
RPM.....	revolutions par minute	☠	radiation visible
sfpm	pieds linéaires par minute (plpm)	☎	protection respiratoire
SPM (FPM).....	fréquence par minute	☞	protection oculaire
A	ampères	👁	protection auditive

BLOCS-PILES ET CHARGEURS

Le bloc-piles n'est pas totalement chargé d'usine. Avant d'utiliser le bloc-piles et le chargeur, lire les consignes de sécurité ci-après puis suivre la procédure de chargement indiquée. Pour commander un bloc-piles de rechange, s'assurer d'en inclure le numéro de catalogue et la tension. Cet outil fonctionne avec un chargeur DeWALT. S'assurer de bien lire toutes les consignes de sécurité avant toute utilisation du chargeur. Consulter le tableau en fin de manuel pour connaître les compatibilités entre chargeurs et blocs-piles.

LIRE TOUTES LES CONSIGNES

Consignes importantes de sécurité les bloc-piles

AVERTISSEMENT : Lire toutes les instructions et toutes les consignes de sécurité propres au bloc-piles, au chargeur et à l'outil électrique. Tout manquement aux avertissements et instructions

FRANÇAIS

pose des risques de décharges électriques, d'incendie et/ou de blessures graves.

- **Ne pas recharger ou utiliser un bloc-piles en milieu déflagrant, en présence, par exemple, de poussières, gaz ou liquides inflammables.** Le fait d'insérer ou retirer un bloc-piles de son chargeur pourrait causer l'inflammation de poussières ou d'émanations.
- **NE JAMAIS forcer l'insertion d'un bloc-piles dans un chargeur. NE modifier un bloc-piles d'AUCUNE façon pour le faire rentrer dans un chargeur incompatible, car il pourrait se briser et causer des dommages corporels graves.** Consulter le tableau en dernière page de ce manuel pour connaître les compatibilités entre chargeurs et blocs-piles.
- Recharger les blocs-piles exclusivement dans des chargeurs DeWALT.
- **NE PAS** éclabousser le bloc-piles ou l'immerger dans l'eau ou dans tout autre liquide.
- **Ne pas entreposer ou utiliser l'appareil et le bloc-piles en présence de températures ambiantes pouvant excéder 40 °C (104 °F) (comme dans des hangars ou des bâtiments métalliques l'été).** Pour préserver leur durée de vie, entreposer les blocs-piles dans un endroit frais et sec.

REMARQUE : ne pas mettre un bloc-piles dans un outil dont la gâchette est verrouillée en position de marche. Ne jamais bloquer l'interrupteur en position de MARCHÉ.

- **Ne pas incinérer le bloc-piles même s'il est sévèrement endommagé ou complètement usagé, car il pourrait exploser et causer un incendie.** Pendant l'incinération des blocs-piles au lithium-ion, des vapeurs et matières toxiques sont dégagées.
- **En cas de contact du liquide de la pile avec la peau, rincer immédiatement au savon doux et à l'eau.** En cas de contact oculaire, rincer l'œil ouvert à l'eau claire une quinzaine de minutes ou jusqu'à ce que l'irritation cesse. Si des soins médicaux s'avèrent nécessaires, noter que l'électrolyte de la pile est composé d'un mélange de carbonates organiques liquides et de sels de lithium.
- **Le contenu des cellules d'une pile ouverte peut causer une irritation respiratoire.** En cas d'inhalation, exposer l'individu à l'air libre. Si les symptômes persistent, consulter un médecin.



AVERTISSEMENT : risques de brûlure. Le liquide de la pile peut s'enflammer s'il est exposé à des étincelles ou à une flamme.



AVERTISSEMENT : risques d'incendie. Ne jamais tenter d'ouvrir le bloc-piles pour quelque raison que ce soit. Si le boîtier du bloc-piles est fissuré ou endommagé, ne pas l'insérer dans un chargeur. Ne pas écraser, laisser tomber, ou endommager les blocs-piles. Ne pas utiliser un bloc-piles ou un chargeur qui a reçu un choc violent, ou si l'appareil est tombé, a été écrasé ou endommagé de quelque façon que ce soit (p. ex. percé par un clou, frappé d'un coup de marteau, piétiné). Les blocs-piles endommagés

doivent être renvoyés à un centre de réparation pour y être recyclés.

Transport



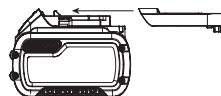
AVERTISSEMENT : risques d'incendie. Au moment de ranger ou transporter le bloc-piles, veiller à protéger ses bornes à découvert de tout objet métallique. Par exemple, éviter de placer le bloc-piles dans un tablier, une poche, une boîte à outils ou un tiroir, etc. contenant des objets tels que clous, vis, clés, etc. **Le fait de transporter des blocs-piles comporte des risques d'incendie, car les bornes des piles pourraient entrer, par inadvertance, en contact avec des objets conducteurs, tels que : clés, pièces de monnaie, outils ou autres.** La réglementation sur les produits dangereux (Hazardous Material Regulations) du département américain des transports interdit, en fait, le transport des blocs-piles dans les commerces ou dans les avions dans les bagages de cabine, À MOINS qu'ils ne soient correctement protégés de tout court-circuit. Aussi lors du transport individuel de blocs-piles, s'assurer que leurs bornes sont bien protégées et isolées de tout matériau pouvant entrer en contact avec elles et provoquer un court-circuit.

Expédition du bloc-piles DeWALT FLEXVOLT™

Le bloc-piles DeWALT FLEXVOLT™ possède deux modes : **Utilisation et Expédition.**

Mode Utilisation : lorsque le bloc-piles FLEXVOLT™ est par lui-même ou dans un produit DeWALT 20 v max*, il fonctionnera comme un bloc-piles de 20 v max*. Lorsque le bloc-piles FLEXVOLT™ est dans un produit de 60 v max* ou 120 v max* (deux blocs-piles de 60 v max*), il fonctionnera comme un bloc-piles de 60 v max*..

Mode Expédition : lorsque



le capuchon est inséré sur le bloc-piles FLEXVOLT™, le bloc-piles est en mode Expédition. Les modules de cellules sont électriquement déconnectés du bloc faisant correspondre à trois blocs-piles d'un wattheure (Wh) inférieur comparé à un bloc-piles de wattheure élevé. Ce passage à trois blocs-piles à un wattheure inférieur peut permettre au bloc-piles d'être exempté de suivre certaines directives d'expédition imposées sur les blocs-piles de wattheure supérieur.

L'étiquette du bloc-piles donne deux estimations de wattheures (se reporter à l'exemple). Selon comment le bloc-piles est expédié, l'estimation appropriée de wattheure doit être utilisée pour déterminer les modalités d'expédition lui correspondant. Si le capuchon d'expédition est utilisé, le bloc-piles sera considéré comme 3 blocs-piles au wattheure indiqué pour « Expédition ». S'il est expédié sans le capuchon ou dans un outil, le bloc-piles sera considéré comme un seul bloc-piles au wattheure indiqué à côté de « Utilisation ».

exemple d'étiquetage d'utilisation et d'expédition

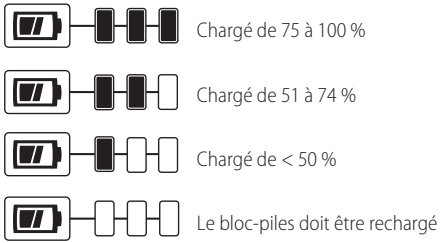
USE: 120 Wh Shipping: 3 x 40 Wh

Par exemple, le Wh de expédition pourra indiquer 3 x 40 Wh, ce qui correspond à 3 blocs-piles de 40 wattheures chacun. L'utilisation du Wh pourra indiquer 120 Wh (sous-entendu 1 bloc-piles).

Témoin de Charge du Bloc-Piles (Fig. B)

Certains blocs-piles DeWALT possèdent un témoin de charge qui consiste en trois voyants Del verts indiquant le niveau de charge du bloc-piles.

Le témoin de charge indique approximativement le niveau de charge restant dans le bloc-piles en fonction des voyants suivants :



Pour activer le témoin de charge, maintenez appuyé le bouton du témoin de charge. Une combinaison des trois voyants Del verts s'allumera indiquant le niveau de charge. Lorsque le niveau de charge du bloc-pile atteint la limite minimale d'utilisation, le témoin de charge reste éteint et le bloc-piles doit être rechargé.

Fig. B



REMARQUE : le témoin de charge ne fait qu'indiquer le niveau de charge du bloc-piles. Il ne donne aucune indication quant au fonctionnement de l'outil. Son propre fonctionnement pourra aussi varier en fonction des composants produit, de la température et de l'application d'utilisation.

Pour plus d'informations quant au témoin de charge du bloc-piles, veuillez appeler le 1-800-4-DeWALT (1-800-433-9258) ou vous rendre sur notre site www.dewalt.com.

Le sceau SRPRC®

Le sceau SRPRC® (Société de recyclage des piles rechargeables du Canada) apposé sur une pile au nickel-cadmium, à hydrure métallique de nickel ou au lithium-ion (ou un bloc-piles) indique que les coûts de recyclage de ces derniers en fin d'utilisation ont déjà été réglés par DeWALT. Dans certaines régions, la mise au rebut ou aux ordures municipales des piles au nickel-cadmium, à l'hydrure métallique de nickel ou au lithium-ion, est illégale ; le programme de l'Appel à Recycler® constitue donc une solution pratique et écologique.

Appel à Recycler Canada, Inc., en collaboration avec DeWALT et d'autres utilisateurs de piles, a mis sur pied de programme aux États-Unis et au Canada pour faciliter la collecte des piles au nickel-cadmium, à l'hydrure métallique de nickel ou au lithium-ion usagées. Aidez-nous à protéger



l'environnement et à conserver nos ressources naturelles en renvoyant les piles au nickel-cadmium, à l'hydrure métallique de nickel ou au lithium-ion usagées à un centre de réparation autorisé DeWALT ou chez votre détaillant afin qu'elles y soient recyclées. On peut en outre se renseigner auprès d'un centre de recyclage local pour connaître d'autres sites les acceptant.

SRPRC® est une marque déposée de l'Appel à Recycler Canada, Inc.

Directives de sécurité importantes propres à tous les chargeurs de piles



AVERTISSEMENT : Lire toutes les instructions et toutes les consignes de sécurité propres au bloc-piles, au chargeur et à l'outil électrique. Tout manquement aux avertissements et instructions pose des risques de décharges électriques, d'incendie et/ou de blessures graves.

- **NE PAS tenter de charger de bloc-piles avec des chargeurs autres que ceux décrits dans ce manuel.** Le chargeur et son bloc-piles ont été conçus tout spécialement pour fonctionner ensemble.
- **Ces chargeurs n'ont pas été conçus pour une utilisation autre que recharger les bloc-piles rechargeables DeWALT.** Toute autre utilisation comporte des risques d'incendie, de chocs électriques ou d'électrocution.
- **Protéger le chargeur de la pluie ou de la neige.**
- **Tirer sur la fiche plutôt que sur le cordon pour débrancher le chargeur.** Cela permet de réduire les risques d'endommager la fiche ou le cordon d'alimentation.
- **S'assurer que le cordon est protégé de manière à ce que personne ne marche ni ne trébuche dessus, ou à ce qu'il ne soit ni endommagé ni soumis à aucune tension.**
- **N'utiliser une rallonge qu'en cas de nécessité absolue.** L'utilisation d'une rallonge inadéquate comporte des risques d'incendie, de chocs électriques ou d'électrocution.
- **Pour utiliser un chargeur à l'extérieur, le placer dans un endroit sec et utiliser une rallonge conçue pour l'extérieur.** L'utilisation d'une rallonge conçue pour l'extérieur réduit les risques de chocs électriques.
- **Pour la sécurité de l'utilisateur, utiliser une rallonge de calibre adéquat (AWG, American Wire Gauge [calibrage américain normalisé des fils électriques]).** Plus le calibre est petit, et plus sa capacité est grande. Un calibre 16, par exemple, a une capacité supérieure à un calibre 18. L'usage d'une rallonge de calibre insuffisant causera une chute de tension qui entraînera perte de puissance et surchauffe. Si plus d'une rallonge est utilisée pour obtenir une certaine longueur, s'assurer que chaque rallonge présente au moins le calibre de fil minimum. Le tableau ci-dessous illustre les calibres à utiliser selon la longueur de rallonge et l'intensité nominale indiquée sur la plaque signalétique. En cas de doute, utiliser le calibre

FRANÇAIS

suivant. Plus le calibre est petit, plus la rallonge peut supporter de courant.

Calibre minimum pour les cordons d'alimentation

Volts		Longueur totale du cordon d'alimentation en mètre (pieds)			
120 V		7,6 (25)	15,2 (50)	30,5 (100)	45,7 (150)
240 V		15,2 (50)	30,5 (100)	61,0 (200)	91,4 (300)
Ampères		AWG			
Plus que	Pas plus que				
0	6	18	16	16	14
6	10	18	16	14	12
10	12	16	16	14	12
12	16	14	12	Non recommandé	

- **Ne poser aucun objet sur le chargeur. Ne pas mettre le chargeur sur une surface molle qui pourrait en bloquer la ventilation et provoquer une surchauffe interne.** Éloigner le chargeur de toute source de chaleur. Le chargeur dispose d'orifices d'aération sur le dessus et le dessous du boîtier.
- **Ne pas le faire fonctionner avec un cordon d'alimentation ou une fiche endommagée.**
- **Ne pas utiliser le chargeur s'il a reçu un coup, fait une chute ou a été endommagé de quelque façon que ce soit.** Le ramener dans un centre de réparation agréé.
- **Ne pas démonter le chargeur. Pour tout service ou réparation, le rapporter dans un centre de réparation agréé.** Le fait de le réassembler de façon incorrecte comporte des risques de chocs électriques, d'électrocution et d'incendie.
- **Débrancher le chargeur du secteur avant tout entretien. Cela réduira tout risque de chocs électriques.** Le fait de retirer le bloc-piles ne réduira pas ces risques.
- **NE JAMAIS tenter de connecter 2 chargeurs ensemble.**
- **Le chargeur a été conçu pour être alimenté en courant électrique domestique standard de 120 volts. Ne pas tenter de l'utiliser avec toute autre tension.** Cela ne s'applique pas aux chargeurs de postes mobiles.



AVERTISSEMENT : risques de chocs électriques. Ne laisser aucun liquide pénétrer dans le chargeur, des chocs électriques pourraient en résulter.



AVERTISSEMENT : risques de brûlure. Ne submerger le bloc-piles dans aucun liquide et le protéger de toute infiltration de liquide. Ne jamais tenter d'ouvrir le bloc-piles pour quelque raison que ce soit. Si le boîtier plastique du bloc-piles est brisé ou fissuré, le retourner dans un centre de réparation pour y être recyclé.



ATTENTION : risques de brûlure. Pour réduire tout risque de dommages corporels, ne recharger que des blocs-piles rechargeables DeWALT. Tout autre type de piles pourrait exploser et causer des dommages corporels et matériels.

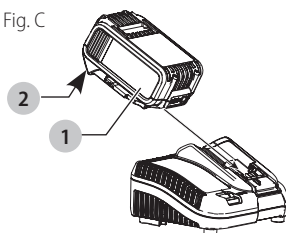
AVIS : sous certaines conditions, lorsque le chargeur est connecté au bloc d'alimentation, des matériaux étrangers pourraient court-circuiter le chargeur. Les

corps étrangers conducteurs tels que (mais pas limité à) poussières de rectification, débris métalliques, laine d'acier, feuilles d'aluminium, ou toute accumulation de particules métalliques doivent être maintenus à distance des orifices du chargeur. Débrancher systématiquement le chargeur lorsque le bloc-piles n'y est pas inséré. Débrancher systématiquement le chargeur avant tout entretien.

Chargement du bloc-piles (Fig. C)

1. Branchez le chargeur dans la prise appropriée avant d'y insérer le bloc-piles.

Fig. C



2. Insérer le bloc-piles 1 dans le chargeur, en vous assurant qu'il y est correctement calé. Le voyant rouge (charge) clignotera de façon continue indiquant que le cycle de chargement a commencé.
3. En fin de charge, le voyant rouge restera ALLUMÉ de façon continue. Le bloc-piles est alors complètement rechargé et peut être utilisé ou laissé dans le chargeur. Pour retirer le bloc-piles du chargeur, appuyez sur le bouton de libération du bloc-piles 2 sur le bloc-piles.

REMARQUE : pour assurer des performances optimales et une durée de vie maximale des blocs-piles au lithium-ion, recharger pleinement le bloc-piles avant toute utilisation initiale.

Utilisation du chargeur

Reportez-vous aux indications du tableau ci-dessous pour consulter le statut de charge du bloc-piles.

DCB101	
	Bloc-piles en Cours de Chargement — — — — —
	Bloc-piles Chargé —————
	Suspension de Charge Contre le Chaud/Froid — • — • — •
	Bloc-Pile ou Chargeur Défectueux • • • • •
DCB107, DCB112, DCB113, DCB115, DCB118, DCB132	
	Bloc-piles en Cours de Chargement — — — — —
	Bloc-piles Chargé —————
	Suspension de Charge Contre le Chaud/Froid* — — — — —————

*DCB107, DCB112, DCB113, DCB115, DCB118, DCB132: le voyant rouge ne cessera de clignoter, mais un voyant jaune restera allumé pendant cette opération. Lorsque

le bloc-piles aura repris une température appropriée, le voyant jaune s'éteindra et le chargeur reprendra sa procédure de charge.

Le chargeur ne pourront recharger des blocs-piles défectueux. Le chargeur indiquera qu'un bloc-piles est défectueux en refusant de s'allumer ou en affichant bloc-piles ou chargeur défectueux.

REMARQUE : cela pourra aussi indiquer un problème avec le chargeur.

Si le problème provient du chargeur, faites vérifier le chargeur et le bloc-piles chez un centre de réparation agréé.

Fonction de suspension de charge contre le chaud/ froid

Lorsque le chargeur détecte un bloc-piles trop chaud ou trop froid, il démarre automatiquement la fonction de suspension de charge contre le chaud, suspendant le chargement jusqu'à ce que le bloc-piles ait repris une température appropriée. Le chargeur ensuite se remettra automatiquement en mode de chargement. Cette caractéristique assure aux blocs-piles une durée de vie maximale.

Un bloc-piles froid se rechargera moins vite qu'un bloc-piles chaud. Le bloc-piles se rechargera à ce rythme plus lent tout au cours du cycle de charge et ne retournera pas à sa vitesse maximale de charge même s'il venait à se réchauffer.

Le chargeur DCB118 est équipé d'un ventilateur interne destiné à refroidir le bloc-piles. Le ventilateur se mettra automatiquement en marche chaque fois que le bloc-piles aura besoin de se refroidir.

N'utilisez jamais le chargeur si le ventilateur ne fonctionne pas correctement ou si ses fentes d'aération sont bloquées. Protégez systématiquement l'intérieur du chargeur de tout objet étranger.

Système de protection électronique

Les appareils au Li-Ion sont équipés d'un système électronique de protection pour protéger les blocs-piles de toute surcharge, surchauffe ou fuite importante.

L'appareil s'arrêtera automatiquement dès que le système électronique de protection sera activé. Si c'était le cas, placez le bloc-piles au lithium-ion sur son chargeur jusqu'à ce qu'il soit complètement rechargé.

Installation murale

DCB107, DCB112, DCB113, DCB115, DCB118, DCB132

Ces chargeurs ont été conçus pour une installation murale ou pour être posés sur une table ou une surface de travail. Pour une fixation murale, installez le chargeur à proximité d'une prise électrique, et à l'écart de coins ou de toute autre obstruction au passage de l'air. Utilisez l'arrière du chargeur pour marquer l'emplacement des vis de montage sur le mur. Fixez soigneusement le chargeur à l'aide de vis autoforeuses (vendues séparément) d'au moins 25,4 mm (1 po) de long, et de diamètre de tête de 7-9 mm (0,28-0,35 po), que vous visserez dans le bois en laissant une longueur optimale d'environ 5,5 mm (7/32 po) exposée. Alignez les orifices à l'arrière du chargeur sur les vis exposées et insérez à fond ces dernières dans les orifices.

Instructions d'entretien du chargeur



AVERTISSEMENT : risques de chocs électriques.

Débrancher le chargeur de la prise de courant alternatif avant tout entretien. Éliminer toute saleté ou graisse de la surface externe du chargeur à l'aide d'un chiffon ou d'une brosse non métallique douce. N'utiliser ni eau ni aucun nettoyeur liquide.

Remarques importantes concernant le chargement

1. Pour augmenter la durée de vie du bloc-piles et optimiser son rendement, le recharger à une température ambiante de 18 ° à 24 °C (65 °F à 75 °F). NE PAS recharger le bloc-piles à une température inférieure à + 4,5 °C (+ 40 °F) ou supérieure à + 40 °C (+ 104 °F). C'est important pour prévenir tout dommage sérieux au bloc-piles.
2. Le chargeur et son bloc-piles peuvent devenir chauds au toucher pendant la charge. C'est normal et ne représente en aucun cas une défaillance du produit. Pour faciliter le refroidissement du bloc-piles après utilisation, éviter de laisser le chargeur ou le bloc-piles dans un local où la température ambiante est élevée comme dans un hangar métallique ou une remorque non isolée.
3. Si le bloc-piles ne se recharge pas correctement :
 - a. Vérifier le bon fonctionnement de la prise en y branchant une lampe ou tout autre appareil électrique.
 - b. Vérifier que la prise n'est pas contrôlée par un interrupteur qui coupe le courant lorsqu'on éteint les lumières.
 - c. Déplacer le chargeur et le bloc-piles dans un local où la température ambiante se trouve entre environ 18 ° et 24 °C (65 °F et 75 °F).
 - d. Si le problème persiste, amener l'outil, le bloc-piles et son chargeur dans un centre de réparation local.
4. Recharger le bloc-piles lorsqu'il ne produit plus assez de puissance pour effectuer un travail qu'il faisait facilement auparavant. NE PAS CONTINUER à l'utiliser dans ces conditions. Suivre la procédure de charge. Si nécessaire, il est aussi possible de recharger un bloc-piles partiellement déchargé sans effet nuisible sur le bloc-piles.
5. Les corps étrangers conducteurs tels que (mais pas limité à) poussières de rectification, débris métalliques, laine d'acier, feuilles d'aluminium, ou toute accumulation de particules métalliques doivent être maintenus à distance des orifices du chargeur. Débrancher systématiquement le chargeur lorsque le bloc-piles n'y est pas inséré. Débrancher systématiquement le chargeur avant tout entretien.
6. Ne pas congeler ou immerger le chargeur dans l'eau ou tout autre liquide.

Recommandations de stockage

1. Le lieu idéal de rangement est un lieu frais et sec, à l'abri de toute lumière solaire directe et de toute température excessive.
2. Pour un stockage prolongé, il est recommandé d'entreposer le bloc-piles pleinement chargé dans un lieu frais et sec, hors du chargeur pour optimiser les résultats.

REMARQUE : les blocs-piles ne devraient pas être entreposés complètement déchargés. Il sera nécessaire de recharger le bloc-piles avant réutilisation.

CONSERVER CES CONSIGNES POUR UTILISATION ULTÉRIEURE

DESCRIPTION (FIG. A)

⚠ AVERTISSEMENT : ne jamais modifier l'outil électrique ni aucun de ses composants, car il y a des risques de dommages corporels ou matériels.

Reportez-vous en figure A au début de ce manuel pour obtenir la liste complète des composants.

USAGE PRÉVU

Votre marteau rotatif industriel sans fil a été conçu pour le perçage ou le burinage professionnel du béton.

NE PAS les utiliser en milieu ambiant humide ou en présence de liquides ou de gaz inflammables.

Ces marteaux rotatifs industriels sans fil sont des outils électriques de professionnels.

NE PAS le laisser à la portée des enfants. Une supervision est nécessaire auprès de tout utilisateur non expérimenté.

ASSEMBLAGE ET AJUSTEMENTS

⚠ AVERTISSEMENT : pour réduire le risque de blessures graves, éteindre l'outil et retirer le bloc-piles avant d'effectuer tout réglage et d'enlever ou d'installer tout accessoire. Un démarrage accidentel peut provoquer des blessures.

Poignée latérale et tige de profondeur (Fig. A, D)

⚠ AVERTISSEMENT : pour réduire tout risque de dommages corporels, utiliser **SYSTÉMATIQUEMENT** l'outil avec sa poignée latérale installée correctement. Tout manquement à cette directive pourrait faire que la poignée latérale glisse pendant l'utilisation de l'outil et en faire perdre le contrôle. Maintenir l'outil fermement à deux mains pour un contrôle optimal.

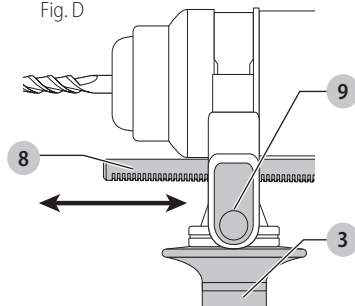
La poignée latérale **3** s'accroche à l'avant du carter d'engrenage et peut effectuer une rotation de 360° pour permettre d'être utilisée par un gaucher ou un droitier. La poignée latérale doit être suffisamment resserrée pour résister à toute torsion de l'outil si l'accessoire venait à caler ou se bloquer. Assurez-vous de bien saisir la poignée latérale à son extrémité pour conserver le contrôle de l'outil en cas d'arrêt brutal.

Pour desserrer la poignée latérale, tournez-la vers la gauche.

Réglage de la tige de profondeur (Fig. D)

1. Maintenez appuyé le bouton de dégagement **9** de la tige de profondeur sur la poignée latérale.
2. Déplacez la tige de profondeur **8** de façon à ce que la distance entre l'extrémité de la tige et celle de l'embout soit égale à la profondeur de perçage désirée.

Fig. D



3. Relâchez le bouton pour verrouiller la tige en position. Lorsque la tige de profondeur est utilisée pour le perçage, arrêtez l'outil lorsque l'extrémité de la tige touche la surface du matériau.

Crochet polyvalent (Fig. A, E)

⚠ AVERTISSEMENT : pour réduire tout risque de dommages corporels graves, NE PAS suspendre l'outil au-dessus de la tête, ou suspendre des objets au crochet polyvalent. NE PAS utiliser le crochet polyvalent pour arrimer ou fixer l'outil à une personne ou à un objet pendant son utilisation.

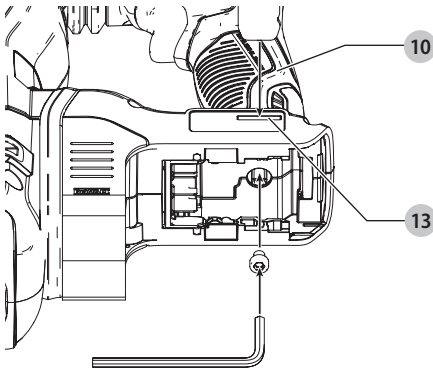
Un crochet polyvalent **13** est intégré sous la poignée principale **10** sur le côté gauche de l'outil.

- Pour utiliser le crochet polyvalent, tirez-le hors du flanc de l'outil.
- Pour entreposer le crochet polyvalent, repoussez-le contre le flanc de l'outil.

Le cas échéant, le crochet polyvalent **13** peut être complètement retiré.

1. Poussez le crochet polyvalent tout contre l'outil et retirez la vis à tête hexagonale située sous la poignée principale.
2. Sortez le crochet polyvalent entièrement de l'outil.
3. Réinsérez la vis hexagonale et resserrez-la soigneusement.

Fig. E



Embout et porte-embouts

AVERTISSEMENT : risques de brûlures. Utiliser **SYSTÉMATIQUEMENT** des gants pour changer les embouts. Les parties métalliques accessibles de l'outil et des embouts pourraient s'avérer brûlantes lors de l'utilisation. De petits débris de matériau pourraient aussi blesser les mains nues.

La perceuse à percussion peut recevoir différents embouts suivant l'application désirée. **Utilisez seulement des embouts bien affûtés.**

Embout recommandé

- Pour le bois, utilisez : mèches hélicoïdales, forets à trois pointes, mèches torsadées ou emporte-pièce.
- Pour le métal, utilisez : mèches hélicoïdales à vitesse rapide ou emporte-pièce. Utilisez un lubrifiant de coupe pour percer les métaux, à l'exception de la fonte et du laiton qui doivent être percés à sec.
- Pour la maçonnerie, comme la brique, le ciment, les blocs béton, etc., utilisez des mèches à pointe de carbure pour le perçage à percussion.

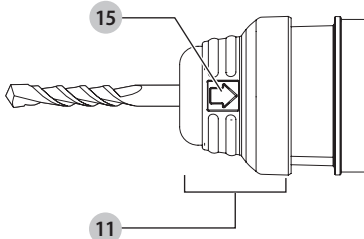
Porte-embout SDS Plus (Fig. F)

REMARQUE : des adaptateurs particuliers sont nécessaires pour utiliser le porte-embout SDS Plus avec les embouts à tige droite et les embouts de vissage hexagonaux. Se reporter à la section **Accessoires**.

Pour insérer une mèche ou tout autre accessoire :

1. Insérez la tige de l'embout d'environ 19 mm (3/4 po) dans le porte-embout SDS Plus **11**.
2. Poussez et faites tourner l'embout jusqu'à ce qu'il se verrouille en place. L'embout sera maintenu fermement.
3. Pour libérer l'embout, tirez le manchon **15** vers l'arrière puis retirez l'embout.

Fig. F



UTILISATION

AVERTISSEMENT : pour réduire le risque de blessures graves, éteindre l'outil et retirer le bloc-piles avant d'effectuer tout réglage et d'enlever ou d'installer tout accessoire. Un démarrage accidentel peut provoquer des blessures.

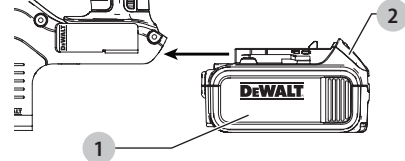
Installation et retrait du bloc-piles (Fig. G)

REMARQUE : pour des résultats optimaux, s'assurer que le bloc-piles est complètement chargé.

Pour installer le bloc-piles **1** dans la poignée de l'outil, alignez le bloc-piles sur les rails dans la poignée de l'outil et faites-le glisser fermement en place puis vérifiez qu'il ne s'en détachera pas.

Pour retirer le bloc-piles de l'outil, poussez sur le bouton de libération **2** et tirez fermement le bloc-piles hors de la poignée de l'outil. Insérez-le dans son chargeur comme décrit dans la section appropriée de ce manuel.

Fig. G



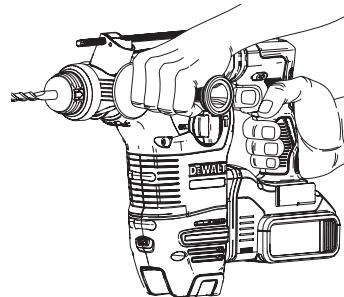
Position correcte des mains (Fig. H)

AVERTISSEMENT : pour réduire tout risque de dommages corporels graves, adopter **SYSTÉMATIQUEMENT** la position des mains illustrée.

AVERTISSEMENT : pour réduire tout risque de dommages corporels graves, maintenir **SYSTÉMATIQUEMENT** l'outil fermement pour anticiper toute réaction soudaine.

La position correcte des mains requiert une main sur la poignée latérale et l'autre sur la poignée principale. Maintenez fermement l'outil à deux mains pour contrôler l'action de torsion de la perceuse.

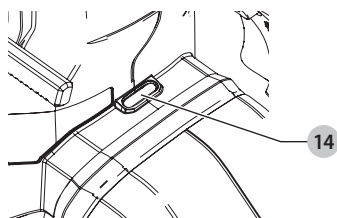
Fig. H



Système E-Clutch^{MD} (Fig. I)

Le système E-Clutch^{MD} DeWALT détecte le niveau d'activité de l'outil et ramène le couple du moteur à un régime raisonnable le cas échéant. Le voyant E-Clutch^{MD} **14** s'allumera pour indiquer le statut.

Fig. I



Voyants	Diagnostic	Solution
DÉSACTIVÉ	L'outil fonctionne normalement	Suivre les directives et consignes pendant l'utilisation de l'outil.
CONTINU	Le système E-Clutch ^{MD} a été activé (ENGAGÉ)	Alors que l'outil est soigneusement maintenu, relâcher la gâchette. L'outil fonctionnera normalement lorsqu'on réappuiera sur la gâchette et le voyant s'éteindra.

AVERTISSEMENT : la perceuse peut caler en cas de surcharge et causer une torsion soudaine. S'attendre systématiquement à un blocage. Maintenir fermement la perceuse pour contrôler toute torsion et éviter tout risque de dommages corporels.

Mode de fonctionnement (Fig. J)

AVERTISSEMENT : ne pas changer de mode de fonctionnement alors que l'outil tourne.

ATTENTION : ne jamais l'utiliser en mode de martelage rotatif ou perçage rotatif avec un burin dans le porte-embout, car cela pose des risques de dommages corporels ou matériels.

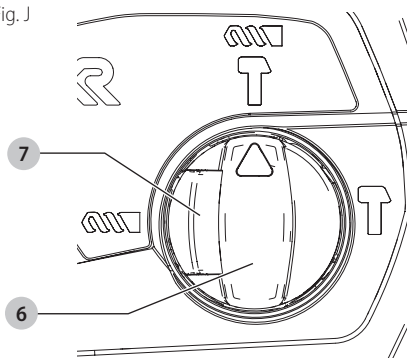
Votre outil est équipé d'un cadran de sélection de mode **6** pour choisir le mode approprié à l'utilisation désirée.

Symbole	Mode	Application
	Perforage rotatif	Vissage Perçage de l'acier, du bois et du plastique
	Martelage rotatif	Perçage du béton et de la maçonnerie
	Martelage seulement	Burinage léger

Pour choisir le mode de fonctionnement :

- Appuyez sur le bouton de libération du sélecteur de mode **7**.
- Tournez le cadran de sélection de mode de façon à ce que la flèche pointe sur le symbole correspondant au mode désiré.

Fig. J



REMARQUE : la flèche sur le cadran de sélection de mode **6** doit systématiquement pointer sur un symbole de mode. Il n'existe aucune position d'utilisation entre les symboles. Il pourra s'avérer nécessaire de faire tourner brièvement le moteur après être passé du mode « martelage seulement » aux modes « rotatifs » pour réaligner les pignons.

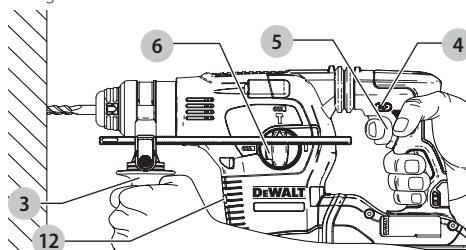
Travailler sur une application (Fig. A, K)

AVERTISSEMENT : POUR RÉDUIRE TOUT RISQUE DE DOMMAGES CORPORELS, s'assurer **SYSTÉMATIQUEMENT** que la pièce est ancrée ou arrimée solidement. Pour percer des matériaux fins, utiliser un morceau de bois « de renfort » pour éviter de les endommager.

AVERTISSEMENT : attendre systématiquement l'arrêt complet du moteur avant de changer la direction de rotation.

- Choisissez et installez le mandrin, l'adaptateur et/ou l'embout appropriés sur l'outil. Reportez-vous aux sections **Embouts et porte-embouts**.
 - À l'aide du cadran de sélection de mode **6**, choisissez le mode approprié à l'application désirée. Reportez-vous à la section **Mode de fonctionnement**.
 - Ajustez la poignée latérale **3**, le cas échéant.
 - Choisissez la direction de rotation à l'aide du bouton de marche avant/arrière **4**. Avant de changer la position du bouton de commande, assurez-vous que la gâchette est bien relâchée.
 - Pour choisir la marche avant, appuyez sur le bouton de marche avant/arrière sur le côté droit de l'outil.
 - Pour choisir la marche arrière, appuyez sur le bouton de marche avant/arrière sur le côté gauche de l'outil.
- REMARQUE :** la position centrale du bouton de commande verrouille l'outil en position d'arrêt.

Fig. K



- Placez l'embout/burin sur l'endroit désiré.
- Appuyez sur la gâchette **5**. Plus vous appuyez sur la gâchette, plus l'outil tourne rapidement. Pour maximiser la durée de vie de l'outil, utilisez la vitesse variable seulement pour démarrer le trou ou le vissage.
REMARQUE : suivant votre outil, appuyer sur la gâchette activera une lampe de travail **12** conçue pour illuminer la surface immédiate de travail. Reportez-vous à la section **Description**. La lampe s'éteint automatiquement peu après la désactivation de la gâchette. La lampe de travail n'a pas été conçue pour être utilisée comme une lampe torche.
- Pour arrêter le marteau, relâchez la gâchette.

Recommandations d'utilisation de l'outil

- Les trous larges [de 7,9 mm à 12,7 mm (5/16 po à 1/2 po)] dans l'acier peuvent être facilités si l'on perce d'abord un trou pilote [de 4 mm à 4,8 mm (5/32 po à 3/16 po)].
- Pour perforer, appliquez systématiquement une certaine pression tout en restant dans l'axe de l'embout, mais sans pousser excessivement pour éviter de bloquer le moteur ou dévier l'embout. Un jet fluide et régulier de débris sera indicateur d'une vitesse adéquate.
- Pour percer des matériaux fins enclins à éclater, utiliser un morceau de bois « de renfort » pour éviter de les endommager.



AVERTISSEMENT :

- ne pas utiliser l'outil pour mélanger ou pomper tout liquide facilement combustible ou explosif (benzène, alcool, etc.).
- Ne pas mélanger ou remuer des liquides classifiés inflammables.

MAINTENANCE



AVERTISSEMENT : pour réduire le risque de blessures graves, éteindre l'outil et retirer le bloc-piles avant d'effectuer tout réglage et d'enlever ou d'installer tout accessoire. Un démarrage accidentel peut provoquer des blessures.

Nettoyage



AVERTISSEMENT : enlever les saletés et la poussière hors des événements au moyen d'air comprimé propre et sec, au moins une fois par semaine. Pour minimiser le risque de blessure aux yeux, toujours porter une protection oculaire conforme à la norme ANSI Z87.1 lors du nettoyage.



AVERTISSEMENT : ne jamais utiliser de solvants ni d'autres produits chimiques puissants pour nettoyer les pièces non métalliques de l'outil. Ces produits chimiques peuvent affaiblir les matériaux de plastique utilisés dans ces pièces. Utiliser un chiffon humecté uniquement d'eau et de savon doux. Ne jamais laisser de liquide pénétrer dans l'outil et n'immerger aucune partie de l'outil dans un liquide.

Accessoires



AVERTISSEMENT : puisque les accessoires autres que ceux offerts par DeWALT n'ont pas été testés avec ce produit, leur utilisation pourrait s'avérer dangereuse. Pour réduire le risque de blessures, utiliser exclusivement les accessoires DeWALT recommandés avec le présent produit.

Il existe en option différents types d'embout de perçage et de burins SDS Plus. Les accessoires et embouts doivent être régulièrement lubrifiés autour de l'adaptateur SDS Plus.

Les accessoires recommandés pour cet outil sont vendus séparément au centre de service de votre région. Pour obtenir de l'aide concernant l'achat d'un accessoire, communiquer avec DeWALT Industrial Tool Co., 701 East Joppa Road, Towson, MD 21286 aux États-Unis; composer le 1 800 433-9258 (1 800 4-DeWALT) ou visiter notre site Web : www.dewalt.com.

Réparations

Le chargeur et le bloc-piles ne sont pas réparables.



AVERTISSEMENT : pour assurer la SÉCURITÉ et la FIABILITÉ du produit, les réparations, l'entretien et les réglages doivent être réalisés (cela comprend l'inspection et le remplacement du balai) par un centre de réparation en usine DeWALT ou un centre de réparation agréé DeWALT. Toujours utiliser des pièces de rechange identiques.

Registre en ligne

Merci pour votre achat. Enregistrez dès maintenant votre produit :

- RÉPARATIONS SOUS GARANTIE :** cette carte remplie vous permettra de vous prévaloir du service de réparations sous garantie de façon plus efficace dans le cas d'un problème avec le produit.
- CONFIRMATION DE PROPRIÉTÉ :** en cas de perte provoquée par un incendie, une inondation ou un vol, cette preuve de propriété vous servira de preuve auprès de votre compagnie d'assurances.
- SÉCURITÉ :** l'enregistrement de votre produit nous permettra de communiquer avec vous dans l'éventualité peu probable de l'envoi d'un avis de sécurité régi par la loi fédérale américaine de la protection des consommateurs.

Registre en ligne à www.dewalt.com/register.

Garantie limitée de trois ans

DeWALT réparera, sans frais, tout produit défectueux causé par un défaut de matériel ou de fabrication pour une période de trois ans à compter de la date d'achat. La présente garantie ne couvre pas les pièces dont la défectuosité a été causée par une usure normale ou l'usage abusif de l'outil. Pour obtenir de plus amples renseignements sur les pièces ou les réparations couvertes par la présente garantie, visiter le site www.dewalt.com ou composer le 1 800 433-9258 (1 800 4-DeWALT). Cette garantie ne s'applique pas aux accessoires et ne vise pas les dommages causés par des réparations effectuées par un

FRANÇAIS

tiers. Cette garantie confère des droits légaux particuliers à l'acheteur, mais celui-ci pourrait aussi bénéficier d'autres droits variant d'un état ou d'une province à l'autre.

En plus de la présente garantie, les outils DeWALT sont couverts par notre :

CONTRAT D'ENTRETIEN GRATUIT DEUX ANS

2 YEAR FREE SERVICE

DEWALT maintiendra l'outil et remplacera gratuitement toute pièce usagée suite à une utilisation normale, à tout moment pendant les deux années suivant la date d'achat.

CONTRAT D'ENTRETIEN GRATUIT DE DEUX ANS SUR LES BLOC-PILES DeWALT

DC9071, DC9091, DC9096, DC9182, DC9280, DC9360, DCB120, DCB127, DCB201, DCB203, DCB203BT, DCB207, DCB361

CONTRAT D'ENTRETIEN GRATUIT DE TROIS ANS SUR LES BLOC-PILES DeWALT

DCB200, DCB204, DCB204BT, DCB205, DCB206, DCB606, DCB609

REMARQUE : La garantie de ce produit sera annulée si le bloc-piles a été altéré de quelque façon que ce soit. DeWALT ne peut être tenu responsable de tout dommage corporel causé par l'altération du produit et pourra poursuivre toute fraude en matière de garantie dans toute l'étendue permise par la loi.

GARANTIE DE REMBOURSEMENT DE 90 JOURS

Si l'acheteur n'est pas entièrement satisfait, pour quelque raison que ce soit, du rendement de l'outil électrique, du laser ou de la cloueuse DeWALT, celui-ci peut le retourner, accompagné d'un reçu, dans les 90 jours à compter de la date d'achat pour obtenir un remboursement intégral, sans aucun problème.

AMÉRIQUE LATINE : cette garantie ne s'applique aux produits vendus en Amérique latine. Pour ceux-ci, veuillez consulter les informations relatives à la garantie spécifique présente dans l'emballage, appeler l'entreprise locale ou consulter le site Web pour les informations relatives à cette garantie.

REPLACEMENT GRATUIT DES ÉTIQUETTES

D'AVERTISSEMENT : si les étiquettes d'avertissement deviennent illisibles ou sont manquantes, composer le 1 800 433-9258 (1 800 4-DeWALT) pour en obtenir le remplacement gratuit.

Definiciones: Símbolos y palabras de alerta de seguridad

Este manual de instrucciones utiliza los siguientes símbolos y palabras de alerta de seguridad para alertarle de situaciones peligrosas y del riesgo de lesiones corporales o daños materiales.

! **PELIGRO:** Indica una situación de peligro inminente que, si no se evita, provocará **la muerte o lesiones graves**.

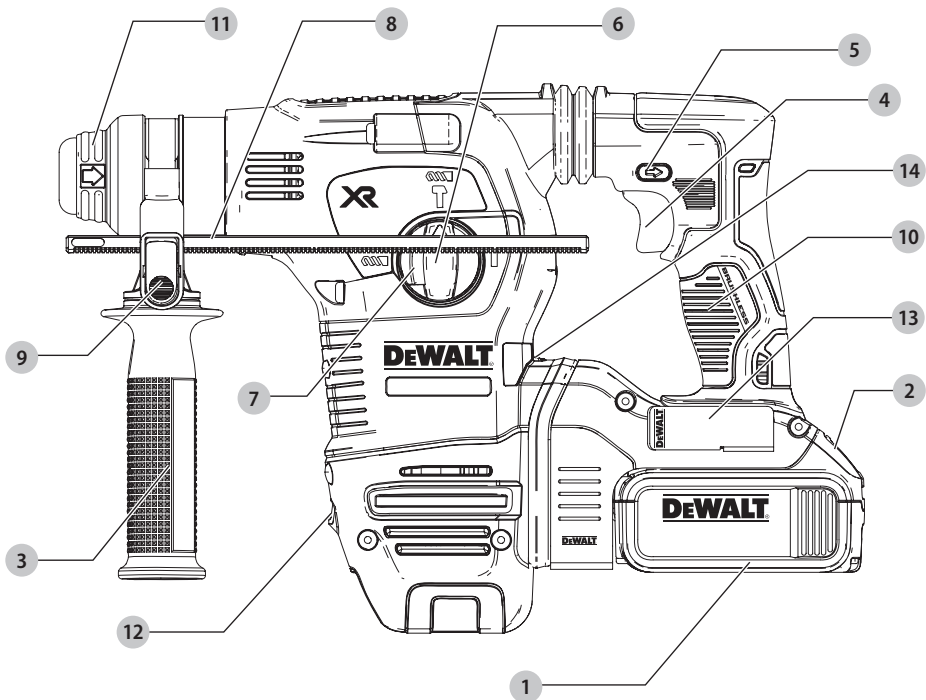
! **ADVERTENCIA:** Indica una situación de peligro potencial que, si no se evita, **podría** provocar **la muerte o lesiones graves**.

! **ATENCIÓN:** Indica una situación de peligro potencial que, si no se evita, **posiblemente** provocaría **lesiones leves o moderadas**.

! (Utilizado sin palabras) indica un mensaje de seguridad relacionado.

AVISO: Se refiere a una práctica **no relacionada a lesiones corporales** que de no evitarse **puede** resultar en **daños a la propiedad**.

Fig. A



- | | |
|---|--|
| 1 Batería | 8 Barra de profundidad |
| 2 Botón de liberación de la batería | 9 Botón de ajuste de la barra de profundidad |
| 3 Mango lateral | 10 Mango principal |
| 4 Interruptor de gatillo | 11 Portabrocas |
| 5 Botón de control de avance/retroceso (Botón de bloqueo) | 12 Luz de trabajo |
| 6 Dial selector de modalidad | 13 Gancho utilitario |
| 7 Botón de liberación del selector de modalidad | 14 Indicador LED de E-Clutch |

! **¡ADVERTENCIA!** Lea todas las advertencias de seguridad e instrucciones. El incumplimiento de las advertencias e instrucciones puede provocar descargas eléctricas, incendios o lesiones graves.

! **ADVERTENCIA:** Para reducir el riesgo de lesiones, lea el manual de instrucciones.

Si tiene alguna duda o algún comentario sobre ésta u otra herramienta DeWALT, llámenos al número gratuito: 1-800-4-DeWALT (1-800-433-9258).

ADVERTENCIAS GENERALES DE SEGURIDAD PARA HERRAMIENTAS ELÉCTRICAS

! **¡ADVERTENCIA!** Lea todas las advertencias de seguridad e instrucciones. El incumplimiento de las advertencias e instrucciones puede provocar descargas eléctricas, incendios o lesiones graves.

CONSERVE TODAS LAS ADVERTENCIAS E INSTRUCCIONES PARA FUTURAS CONSULTAS

El término "herramienta eléctrica" incluido en las advertencias hace referencia a las herramientas eléctricas operadas con corriente (con cable eléctrico) o a las herramientas eléctricas operadas con baterías (inalámbricas).

1) Seguridad en el Área de Trabajo

- Mantenga el área de trabajo limpia y bien iluminada.** Las áreas abarrotadas y oscuras propician accidentes.
- No opere las herramientas eléctricas en atmósferas explosivas, como ambientes donde haya polvo, gases o líquidos inflamables.** Las herramientas eléctricas originan chispas que pueden encender el polvo o los vapores.
- Mantenga alejados a los niños y a los espectadores de la herramienta eléctrica en funcionamiento.** Las distracciones pueden provocar la pérdida de control.

2) Seguridad Eléctrica

- No enchufes de la herramienta eléctrica deben adaptarse al tomacorriente. Nunca modifique el enchufe de ninguna manera. No utilice ningún enchufe adaptador con herramientas eléctricas con conexión a tierra.** Los enchufes no modificados y que se adaptan a los tomacorrientes reducirán el riesgo de descarga eléctrica.
- Evite el contacto corporal con superficies con descargas a tierra como, por ejemplo, tuberías, radiadores, cocinas eléctricas y refrigeradores.** Existe mayor riesgo de descarga eléctrica si su cuerpo está puesto a tierra.
- No exponga las herramientas eléctricas a la lluvia o a condiciones de humedad.** Si entra agua a una herramienta eléctrica, aumentará el riesgo de descarga eléctrica.
- No maltrate el cable. Nunca utilice el cable para transportar, tirar o desenchufar la herramienta eléctrica. Mantenga el cable alejado del calor, el aceite, los bordes filosos y las piezas móviles.** Los cables dañados o enredados aumentan el riesgo de descarga eléctrica.
- Al operar una herramienta eléctrica en el exterior, utilice un cable prolongador adecuado para tal uso.** Utilice un cable adecuado para uso en exteriores a fin de reducir el riesgo de descarga eléctrica.
- Si el uso de una herramienta eléctrica en un lugar húmedo es imposible de evitar, utilice**

un suministro protegido con un interruptor de circuito por falla a tierra (GFCI). El uso de un GFCI reduce el riesgo de descargas eléctricas.

3) Seguridad Personal

- Permanezca alerta, controle lo que está haciendo y utilice el sentido común cuando emplee una herramienta eléctrica. No utilice una herramienta eléctrica si está cansado o bajo el efecto de drogas, alcohol o medicamentos.** Un momento de descuido mientras se opera una herramienta eléctrica puede provocar lesiones personales graves.
- Utilice equipos de protección personal. Siempre utilice protección para los ojos.** En las condiciones adecuadas, el uso de equipos de protección, como máscaras para polvo, calzado de seguridad antideslizante, cascos o protección auditiva, reducirá las lesiones personales.
- Evite el encendido por accidente. Asegúrese de que el interruptor esté en la posición de apagado antes de conectarlo a la fuente de energía o paquete de baterías, o antes de levantar o transportar la herramienta.** Transportar herramientas eléctricas con el dedo apoyado en el interruptor o enchufar herramientas eléctricas con el interruptor en la posición de encendido puede propiciar accidentes.
- Retire la clavija de ajuste o la llave de tuercas antes de encender la herramienta eléctrica.** Una llave de tuercas o una clavija de ajuste que quede conectada a una pieza giratoria de la herramienta eléctrica puede provocar lesiones personales.
- No se estire. Conserve el equilibrio y párese adecuadamente en todo momento.** Esto permite un mejor control de la herramienta eléctrica en situaciones inesperadas.
- Use la vestimenta adecuada. No use ropas holgadas ni joyas. Mantenga el cabello, la ropa y los guantes alejados de las piezas en movimiento.** Las ropas holgadas, las joyas o el cabello largo pueden quedar atrapados en las piezas en movimiento.
- Si se suministran dispositivos para la conexión de accesorios con fines de recolección y extracción de polvo, asegúrese de que estén conectados y que se utilicen correctamente.** El uso de dispositivos de recolección de polvo puede reducir los peligros relacionados con el polvo.

4) Uso y Mantenimiento de la Herramienta Eléctrica

- No fuerce la herramienta eléctrica. Utilice la herramienta eléctrica correcta para el trabajo que realizará.** Si se la utiliza a la velocidad para la que fue diseñada, la herramienta eléctrica correcta permite trabajar mejor y de manera más segura.
- No utilice la herramienta eléctrica si no puede encenderla o apagarla con el interruptor.** Toda

herramienta eléctrica que no pueda ser controlada mediante el interruptor es peligrosa y debe repararse.

- c) **Desconecte el enchufe de la fuente de energía o el paquete de baterías de la herramienta eléctrica antes de realizar ajustes, cambiar accesorios o almacenar la herramienta eléctrica.** Estas medidas de seguridad preventivas reducen el riesgo de encender la herramienta eléctrica en forma accidental.
- d) **Guarde la herramienta eléctrica que no esté en uso fuera del alcance de los niños y no permita que otras personas no familiarizadas con ella o con estas instrucciones operen la herramienta.** Las herramientas eléctricas son peligrosas si son operadas por usuarios no capacitados.
- e) **Realice el mantenimiento de las herramientas eléctricas. Revise que no haya piezas en movimiento mal alineadas o trabadas, piezas rotas o cualquier otra situación que pueda afectar el funcionamiento de la herramienta eléctrica. Si encuentra daños, haga reparar la herramienta eléctrica antes de utilizarla.** Se producen muchos accidentes a causa de las herramientas eléctricas que carecen de un mantenimiento adecuado.
- f) **Mantenga las herramientas de corte afiladas y limpias.** Las herramientas de corte con mantenimiento adecuado y con los bordes de corte afilados son menos propensas a trabarse y son más fáciles de controlar.
- g) **Utilice la herramienta eléctrica, los accesorios y las brocas de la herramienta, etc. de acuerdo con estas instrucciones y teniendo en cuenta las condiciones de trabajo y el trabajo que debe realizarse.** El uso de la herramienta eléctrica para operaciones diferentes de aquellas para las que fue diseñada podría originar una situación peligrosa.

5) Uso y Mantenimiento de la Herramienta con Baterías

- a) **Recargue solamente con el cargador especificado por el fabricante.** Un cargador adecuado para un tipo de paquete de baterías puede originar riesgo de incendio si se utiliza con otro paquete de baterías.
- b) **Utilice herramientas eléctricas sólo con paquetes de baterías específicamente diseñados.** El uso de cualquier otro paquete de baterías puede producir riesgo de incendio y lesiones.
- c) **Cuando no utilice el paquete de baterías, manténgalo lejos de otros objetos metálicos como sujetapapeles, monedas, llaves, clavos, tornillos u otros objetos metálicos pequeños que puedan realizar una conexión desde un terminal al otro.** Los cortocircuitos en los terminales de la batería pueden provocar quemaduras o incendio.
- d) **En condiciones abusivas, el líquido puede ser expulsado de la batería. Evite su contacto. Si entra en contacto accidentalmente, enjuague**

con agua. Si el líquido entra en contacto con los ojos, busque atención médica. El líquido expulsado de la batería puede provocar irritación o quemaduras.

6) Mantenimiento

- a) **Solicite a una persona calificada en reparaciones que realice el mantenimiento de su herramienta eléctrica y que sólo utilice piezas de repuesto idénticas.** Esto garantizará la seguridad de la herramienta eléctrica.

Instrucciones de seguridad adicionales para rotomartillos

- **Use protectores auditivos.** La exposición al ruido puede causar pérdida auditiva.
- **Use el/los mango(s) auxiliar(es), si está(n) suministrado(s) con la herramienta.** Perder el control de la herramienta podría causar lesiones corporales.
- **Sostenga la herramienta eléctrica por sus superficies aislantes cuando realice una operación en la cual el accesorio para cortar pudiera entrar en contacto con instalaciones eléctricas ocultas.** Si el accesorio para cortar entra en contacto con un cable bajo tensión, podrían cargarse las partes metálicas de la herramienta expuestas a la corriente y producir una descarga eléctrica al operador.
- **Asegúrese de que el material que vaya a taladrar no oculte acometidas eléctricas o de gas y que sus posiciones hayan sido verificadas con las empresas de servicio público.**
- **Use abrazaderas u otra forma práctica de fijar y sujetar la pieza de trabajo a una plataforma estable.** El sujetar la pieza de trabajo con la mano o contra su cuerpo no proporciona estabilidad y puede causar una pérdida de control.
- **Use gafas protectoras u otra protección para los ojos.** Las operaciones de martilleo pueden hacer que salgan volando astillas. Las partículas volantes pueden ocasionar daño permanente a los ojos. Use una mascarilla antipolvo o un respirador para las aplicaciones que produzcan polvo. Puede que sea necesario utilizar una protección auditiva para la mayoría de las aplicaciones.
- **Agarre firmemente la herramienta en todo momento. No intente utilizar esta herramienta sin sujetarla con ambas manos.** El utilizar esta herramienta con una sola mano ocasionará la pérdida de control. Asimismo puede ser peligroso romper o encontrarse con materiales duros como barras de refuerzo.
- **No utilice esta herramienta durante períodos largos de tiempo.** La vibración causada por la acción del martillo puede ser perjudicial para las manos y los brazos. Utilice guantes para proporcionar protección extra y limite la exposición tomándose períodos de descanso con frecuencia.
- **No repare las brocas usted mismo.** La reparación de los cinceles debe ser realizada por un especialista autorizado.

ESPAÑOL

Los cinceles que no estén bien reparados pueden causar lesiones.

- Los accesorios y la herramienta pueden calentarse durante el funcionamiento. Use guantes cuando los maneje si realiza operaciones que produzcan calor, tales como taladrado con percusor y taladrado de metales.
- No ponga nunca la herramienta hacia abajo hasta que la broca se haya parado por completo. Las brocas en movimiento pueden causar lesiones.
- No golpee las brocas atascadas con un martillo para sacarlas. Pueden desprenderse fragmentos de metal o astillas de material y ocasionar lesiones.
- Los cinceles ligeramente desgastados pueden volver a afilarse.
- **No sobrecaliente la broca (decoloración) mientras la afila de nuevo.** Los cinceles muy desgastados requieren un reforjado. No reendurezca ni temple el cinzel.

Instrucción Adicional de Seguridad



ADVERTENCIA: Use **SIEMPRE** lentes de seguridad. Los anteojos de diario **NO SON** lentes de seguridad. Utilice además una cubrebocas o mascarilla antipolvo si la operación de corte genera demasiado polvo. **SIEMPRE LLEVE EQUIPO DE SEGURIDAD CERTIFICADO:**

- protección ocular ANSI Z87.1 (CAN/CSA Z94.3),
- protección auditiva ANSI S12.6 (S3.19),
- protección respiratoria NIOSH/OSHA/MSHA.



ADVERTENCIA: Algunas partículas de polvo generadas al lijar, serrar, esmerilar y taladrar con herramientas eléctricas, así como al realizar otras actividades de construcción, contienen químicos que el Estado de California sabe que pueden producir cáncer, defectos congénitos u otras afecciones reproductivas. Ejemplos de estos químicos son:

- plomo de algunas pinturas en base a plomo,
- polvo de sílice proveniente de ladrillos y cemento y otros productos de albañilería, y
- arsénico y cromo provenientes de madera tratada químicamente.

Su riesgo de exposición a estos químicos varía, dependiendo de la frecuencia con la cual realiza usted este tipo de trabajo. Para reducir su exposición a estas sustancias químicas: trabaje en una zona bien ventilada y llevando equipos de seguridad aprobados, como mascarillas antipolvo especialmente diseñadas para filtrar partículas microscópicas.

- **Evite el contacto prolongado con polvo generado por el lijado, aserrado, pulido, taladrado y otras actividades de construcción. Vista ropas protectoras y lave las áreas de la piel expuestas con agua y jabón.** Si permite que el polvo se introduzca en la boca u ojos o quede sobre la piel, puede favorecer la absorción de productos químicos peligrosos.



ADVERTENCIA: La utilización de esta herramienta puede generar polvo o dispersarlo, lo que podría causar daños graves y permanentes al sistema respiratorio, así como otras lesiones. Siempre use protección respiratoria aprobada por NIOSH (Instituto

Nacional de Seguridad y Salud en el Trabajo) u OSHA (Administración de Seguridad y Salud en el Trabajo) apropiada para la exposición al polvo. Dirija las partículas en dirección contraria a la cara y el cuerpo.



ADVERTENCIA: Siempre lleve la debida protección auditiva personal en conformidad con ANSI S12.6 (S3.19) durante el uso de esta herramienta. Bajo algunas condiciones y duraciones de uso, el ruido producido por este producto puede contribuir a la pérdida auditiva.



ATENCIÓN: Cuando no esté en uso, guarde la herramienta apoyada en un costado sobre una superficie estable, donde no interrumpa el paso o provoque una caída. Algunas herramientas con paquetes de baterías de gran tamaño pueden colocarse paradas sobre el paquete de baterías, pero pueden caerse fácilmente.

- **Los orificios de ventilación suelen cubrir piezas en movimiento, por lo que también se deben evitar.** Las piezas en movimiento pueden atrapar prendas de vestir sueltas, joyas o el cabello largo.

La etiqueta de su herramienta puede incluir los siguientes símbolos. A continuación se indican los símbolos y sus definiciones:

V	voltios	~ or AC	corriente alterna
Hz	hertz	⎓ or AC/DC ...	corriente alterna o directa
min	minutos	☐	Construcción de Clase II (doble aislamiento)
— — — or DC	direct current	n ₀	velocidad sin carga
Ⓢ	Construcción de Clase I (tierra)	n	velocidad nominal
... /min	por minuto	⊕	terminal de conexión a tierra
BPM	golpes por minuto	⚠	símbolo de advertencia de seguridad
IPM	impactos por minuto	☀	radiación visible
RPM	revoluciones por minuto	☎	protección respiratoria
sfp _m	pies de superficie por minuto	☞	protección ocular
SPM	pasadas por minuto	👂	protección auditiva
A	amperios		
W	vatios		

BATERÍAS Y CARGADORES

La batería no viene completamente cargada de fábrica. Antes de utilizar la batería y el cargador, lea las siguientes instrucciones de seguridad y luego siga los procedimientos de carga indicados. Cuando pida baterías de repuesto, no olvide indicar el número de catálogo y el voltaje.

Su herramienta utiliza un cargador DeWALT. Lea todas las instrucciones de seguridad antes de usar el cargador. Consulte la tabla al final de este manual para información sobre compatibilidad entre cargadores y baterías.

LEA TODAS LAS INSTRUCCIONES

Instrucciones de Seguridad Importantes Para Todas las Unidades de Batería



ADVERTENCIA: Lea todas las advertencias de seguridad y todas las instrucciones para la batería, el cargador y la herramienta eléctrica. No seguir las advertencias y las instrucciones puede provocar una descarga eléctrica, un incendio y/o lesiones graves.

- **No cargue o use la unidad de batería en atmósferas explosivas, como en presencia de líquidos, gases o polvos inflamables.** Puede que al insertar o sacar la unidad de batería del cargador se inflamen el polvo o los gases.
- **NUNCA fuerce la unidad de batería para que entre en el cargador. NO modifique la unidad de batería en ninguna forma para que entre en un cargador no compatible, pues puede producir una ruptura en la unidad de batería y causar lesiones corporales graves.** Consulte la tabla al final de este manual para ver la compatibilidad entre baterías y cargadores.
- Cargue las unidades de batería sólo en los cargadores designados por DeWALT.
- **NO salpique con ni sumerja en agua u otros líquidos.**
- **No guarde ni use la herramienta y unidad de batería en lugares donde la temperatura pueda alcanzar o superar los 40 °C (104 °F), tales como cobertizos o construcciones de metal durante el verano.** Almacene las unidades de batería en lugares frescos y secos para maximizar su vida útil.
NOTA: No almacene las unidades de batería en la herramienta con el interruptor de gatillo en posición encendida fija. Nunca use cinta adhesiva para mantener el interruptor de gatillo en posición ENCENDIDA.
- **No incinere la unidad de batería, aunque esté completamente dañada o descargada. La unidad de batería puede explotar si se quema.** Cuando se queman unidades de batería de iones de litio, se producen gases y materiales tóxicos.
- **Si el contenido de la batería entra en contacto con la piel, lave el área de inmediato con agua y un jabón suave.** Si el líquido de la batería entra en contacto con sus ojos, enjuáguelos con agua y los ojos abiertos por 15 minutos o hasta que cese la irritación. Si se requiere de asistencia médica, el electrolito de la batería está compuesto por una mezcla de carbonatos orgánicos líquidos y sales de litio.
- **El contenido de los elementos abiertos de la batería puede causar irritación en el tracto respiratorio.** Salga al aire fresco. Si los síntomas persisten, busque asistencia médica.



ADVERTENCIA: Peligro de quemaduras. El líquido de la batería puede ser inflamable si se expone a chispas o llamas.



ADVERTENCIA: Peligro de incendio. Nunca intente abrir la unidad de batería por ningún motivo. Si la caja exterior de la unidad de batería se triza o

daña, no la introduzca en el cargador. No triture, deje caer o dañe la unidad de batería. No use una unidad de batería o un cargador que haya sido golpeado, dejado caer, atropellado o dañado en cualquier forma (por ejemplo, perforado por un clavo, golpeado con un martillo, pisado). Lleve sus unidades de batería dañadas al centro de servicio para que sean recicladas.

Transporte



ADVERTENCIA: Peligro de incendio. No guarde o transporte la batería de forma que los terminales expuestos de la misma puedan estar en contacto con objetos metálicos. Por ejemplo, no ponga la batería en delantales, bolsillos, cajas de herramientas, estuches de productos, cajones, etc., junto con clavos, tornillos, y llaves, etc. sueltos. **El transporte de baterías puede causar incendios si sus terminales inadvertidamente entran en contacto con materiales conductores como llaves, monedas, herramientas manuales y otros por el estilo.** El Reglamento sobre Materiales Peligrosos (HMR) del Departamento de Transporte de EE.UU. prohíbe transportar baterías comercialmente o en aviones en el equipaje de mano A MENOS que estén debidamente protegidas contra cortocircuitos. Por lo tanto, cuando transporte baterías individuales, asegúrese de que sus terminales estén protegidos y debidamente aislados de los materiales que pudieran entrar en contacto con ellos y provocar un cortocircuito.

TRANSPORTE DE LA BATERÍA FLEXVOLT™ DE DeWALT

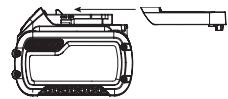
La batería FLEXVOLT™ de DeWALT tiene dos modalidades:

Uso y transporte.

Modalidad de uso: Cuando la batería FLEXVOLT™ está independiente o está en un producto DeWALT de 20 V Máx* funcionará como una batería de 20 V Máx*. Cuando la batería FLEXVOLT™ está en un producto de 60 V Máx* o 120 V Máx* (dos baterías de 60 V Máx*), funcionará como una batería de 60V Máx* .

Modalidad de transporte:

Cuando la batería FLEXVOLT™ tiene puesta la tapa, la batería está en modalidad de transporte.



Cadenas de celdas están desconectadas eléctricamente dentro de la unidad de batería, lo que resulta en tres baterías con una capacidad nominal de vatios hora (Wh) inferior comparada con una batería con una capacidad nominal de vatios hora superior. Esta mayor cantidad de tres baterías con una capacidad nominal de vatios-hora menor puede hacer que la unidad de batería quede exenta de ciertos reglamentos de transporte que se imponen a las baterías con mayor capacidad nominal de vatios-hora. La etiqueta en la batería indica dos capacidades nominales de vatios-hora (ver el ejemplo). Dependiendo de cómo se

ESPAÑOL

transporta la batería, debe usarse la capacidad nominal vatios-hora apropiada para determinar los requisitos de transporte aplicables. Si se utiliza la tapa de transporte, la unidad de batería será considerada tres baterías con la capacidad nominal de vatios-hora indicada para «Transporte». Si se transporta sin la tapa o en una herramienta, la unidad de batería será considerada una batería con la capacidad nominal de vatios-hora indicada al lado de «Uso».

EJEMPLO DE MARCADO EN ETIQUETA DE USO Y TRANSPORTE

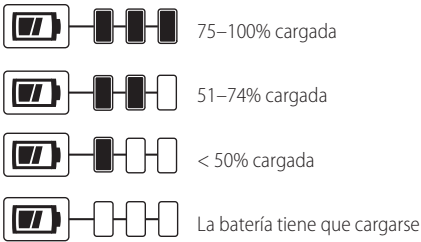
USE: 120 Wh Shipping: 3 x 40 Wh

La capacidad nominal de transporte vatios hora (Wh) indica 3 x 40 Wh, lo cual significa 3 baterías de 40 vatios hora cada una. La capacidad nominal de uso Wh indica 120 vatios hora (se implica una batería).

Unidades de Batería con Indicador de Carga (Fig. B)

Algunas unidades de batería DeWALT incluyen un indicador de carga que consiste de tres luces LED verdes que indican el nivel de carga que queda en la unidad de batería.

El indicador de carga es una indicación de niveles aproximados de carga que quedan en la batería según los indicadores siguientes:



Para activar el indicador de carga, presione y sostenga el botón del indicador. Se iluminará una combinación de las tres luces LED verdes, que indicará el nivel de carga que queda. Cuando el nivel de carga está por debajo del nivel útil, el indicador no se iluminará, y la batería deberá recargarse.

Fig. B



NOTA: El indicador de carga es sólo eso: un indicador de la carga de la unidad de batería. No indica el nivel de funcionalidad de la herramienta y puede variar de acuerdo a las piezas del producto, la temperatura y la aplicación que el usuario le dé.

Para mayor información sobre unidades de batería con indicadores de carga, por favor llame al 1-800-4-DeWALT (1-800-433-9258) o visite nuestro sitio Web: www.dewalt.com.

El sello RBRC®

El sello RBRC® (Rechargeable Battery Recycling Corporation) en las baterías (unidades de batería) de níquel cadmio, níquel e hidruro metálico o de iones de litio indica que el costo de reciclaje de estas baterías (o unidades de batería) al llegar al final de su vida de servicio ya ha sido pagado por DeWALT. En algunas áreas, es ilegal depositar baterías de níquel cadmio, níquel e hidruro metálico o de iones de litio gastadas en la basura o la corriente de residuos sólidos urbanos; el programa Call 2 Recycle® proporciona una alternativa ecológica.

Call 2 Recycle, Inc., en cooperación con DeWALT y otros usuarios de baterías, han establecido programas en los Estados Unidos y Canadá para facilitar la recolección de baterías de níquel cadmio, níquel e hidruro metálico o de iones de litio gastadas. Al llevar sus baterías de níquel cadmio, níquel e hidruro metálico y de iones de litio gastadas a un centro de servicio autorizado por DeWALT o al minorista local para que sean recicladas, ayuda a proteger el medio ambiente y a conservar recursos naturales. También puede comunicarse con el centro de reciclaje de su localidad para mayor información sobre dónde llevar sus baterías gastadas.

RBRC® es una marca comercial registrada de Call 2 Recycle, Inc.



Instrucciones Importantes de Seguridad Para Todos los Cargadores de Baterías

⚠️ ADVERTENCIA: Lea todas las advertencias de seguridad y todas las instrucciones para la batería, el cargador y la herramienta eléctrica. No seguir las advertencias y las instrucciones puede provocar una descarga eléctrica, un incendio y/o lesiones graves.

- **NO intente cargar la unidad de batería con otros cargadores que no sean los descritos en este manual.** El cargador y la unidad de batería fueron específicamente diseñados para trabajar en conjunto.
- **Estos cargadores no fueron diseñados para ser utilizados para más que cargar las baterías recargables DeWALT.** Cualquier otro uso puede producir riesgo de incendios, descargas eléctricas o electrocución.
- **No exponga el cargador a la lluvia o a la nieve.**
- **Tire del enchufe y no del cable cuando desconecte el cargador.** De esta forma se reduce el riesgo de daño al enchufe y cable.
- **Asegúrese de que el cable no sea ubicado de manera que podría ser pisado, causar que alguien tropiece con él o ser expuesto a otro tipo de daños y desgastes.**
- **No use un alargador a menos que sea absolutamente necesario.** El uso de un alargador incorrecto podría producir riesgo de incendios, descargas eléctricas o electrocución.
- **Cuando opere un cargador al exterior, hágalo siempre en un lugar seco y use un alargador**

apropiado para uso al exterior. El uso de un alargador apropiado para uso al exterior reduce el riesgo de descarga eléctrica.

- **Los hilos del alargador deben ser de un calibre apropiado (AWG o American Wire Gauge) para su seguridad.** Mientras menor sea el calibre del hilo, mayor la capacidad del cable. Es decir, un hilo calibre 16 tiene mayor capacidad que uno de 18. Un cable de un calibre insuficiente causará una caída en la tensión de la línea dando por resultado una pérdida de energía y sobrecalentamiento. Cuando se utilice más de un alargador para completar el largo total, asegúrese que los hilos de cada alargador tengan el calibre mínimo. La tabla siguiente muestra el tamaño correcto a utilizar, dependiendo de la longitud del cable y del amperaje nominal de la placa de identificación. Si tiene dudas sobre cuál calibre usar, use un calibre mayor. Cuanto menor sea el número del calibre, más resistente será el cable.

Calibre mínimo de conjuntos de cables

Voltios	Longitud total del cable en pies (metros)				
	120 V	25 (7,6)	50 (15,2)	100 (30,5)	150 (45,7)
240 V	50 (15,2)	100 (30,5)	200 (61,0)	300 (91,4)	
Amperaje nominal	AWG				
	Más de	Más de	Más de	Más de	Más de
0	6	18	16	16	14
6	10	18	16	14	12
10	12	16	16	14	12
12	16	14	12		Not Recommended

- **No coloque ningún objeto encima del cargador ni coloque a este sobre una superficie blanda que pudiera bloquear las ranuras de ventilación y resultar en un calor interno excesivo.** Coloque el cargador en un lugar alejado de cualquier fuente de calor. El cargador se ventila a través de las ranuras que se encuentran en la parte superior e inferior de la caja protectora.
- **No opere el cargador si su cable o enchufe están dañados.**
- **No opere el cargador si ha recibido un golpe agudo, si se ha caído o si ha sido dañado de alguna otra forma.** Llévelo a un centro de servicio autorizado.
- **No desarme el cargador; llévelo a un centro de servicio autorizado cuando deba ser reparado.** Si es reensamblado incorrectamente, puede causar descargas eléctricas, electrocución o incendios.
- **Desenchufe el cargador antes de intentar limpiarlo. Esto reducirá el riesgo de descargas eléctricas.** El retirar el paquete de baterías no reducirá este riesgo.
- **NUNCA** intente conectar 2 cargadores entre sí.
- **El cargador está diseñado para operar con una corriente eléctrica estándar residencial de 120 V. No intente usarlo con ningún otro voltaje.** Esto no aplica al cargador vehicular.



ADVERTENCIA: Peligro de descarga eléctrica. No permita que ningún líquido se introduzca en el cargador. Puede producir descargas eléctricas.



ADVERTENCIA: Peligro de quemaduras. No sumerja la unidad de batería en líquido de ningún tipo ni permita que se introduzca ningún tipo de líquido a la unidad de batería. Nunca intente abrir la unidad de batería por ningún motivo. Si la caja plástica de la unidad de batería se triza o rompe, llévela a un centro de servicio para su reciclaje.



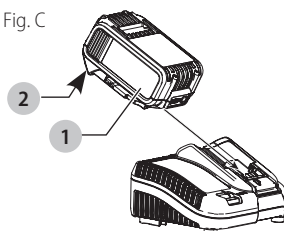
ATENCIÓN: Peligro de quemaduras. Para reducir el riesgo de lesiones, sólo cargue unidades de batería recargables marca DeWALT. Otros tipos de batería podrían sobrecalentarse y reventar lo que podría resultar en lesiones corporales y daños a su propiedad.

AVISO: Bajo ciertas condiciones, cuando el cargador está enchufado a una toma de corriente, el cargador puede hacer cortocircuito si entra en contacto con algún material ajeno. Los materiales ajenos de naturaleza conductora, como el polvo de esmerilado, las placas de metal, la lana de acero, el papel de aluminio y otros, o cualquier acumulación de partículas metálicas deberían mantenerse alejados de las cavidades del cargador. Desenchufe siempre el cargador cuando no haya una unidad de batería en su cavidad. Desenchufe el cargador antes de intentar limpiarlo.

Carga de una batería (Fig. C)

1. Enchufe el cargador en una toma de corriente apropiada antes de introducir la batería.

Fig. C













2. Inserte la batería 1 en el cargador, comprobando esté bien fija. La luz roja (de carga) parpadeará continuamente para indicar que se ha iniciado el proceso de carga.
3. La luz roja se quedará ENCENDIDA continuamente cuando se haya completado el proceso de carga. La batería estará entonces completamente cargada y podrá ser utilizada de inmediato o dejarse en el cargador. Para sacar la batería del cargador, presione el botón de liberación 2 de la batería.

NOTA: Para asegurar el máximo rendimiento y vida útil de las baterías de iones de litio, cargue la batería completamente antes de usarla por primera vez.

Funcionamiento del cargador

Consulte los indicadores a continuación relativos al estado de carga de la batería.

DCB101	
 Unidad en Proceso de Carga	— — — —
 Unidad Cargada	————
 Retraso por Unidad Caliente/Fría	— • — • — •
 Problema con la Batería o el Cargador	• • • • • • • •
DCB107, DCB112, DCB113, DCB115, DCB118, DCB132	
 Unidad en Proceso de Carga	— — — — 
 Unidad Cargada	———— 
 Retraso por Unidad Caliente/Fría*	— — — — ————— 

***DCB107, DCB112, DCB113, DCB115, DCB118, DCB132:** La luz roja continuará parpadeando, pero una luz indicadora amarilla estará iluminada durante esta operación. Una vez que la batería haya llegado a una temperatura apropiada, la luz amarilla se apagará y el cargador continuará con el procedimiento de carga.

El cargador no cargará una batería defectuosa. El cargador indicará que la unidad de batería es defectuosa al no iluminarse o al indicar que existe un problema con la unidad o el cargador.

NOTA: Esto también puede significar que hay un problema con el cargador.

Si el cargador indica un problema, lleve el cargador y la batería a un centro de servicio autorizado para que sean sometidos a pruebas.

Retraso por batería caliente/fría

Cuando el cargador detecta que una batería está demasiado caliente o demasiado fría, inicia automáticamente un Retraso por batería caliente/fría y suspende la carga hasta que la batería alcanza una temperatura adecuada. En ese momento, el cargador inicia automáticamente el modo de carga de la batería. Esta función garantiza la máxima duración de la batería.

Una batería fría se carga más lentamente que una batería caliente. La batería se cargará a ese ritmo más lento durante todo el ciclo de carga y no volverá a cargarse a la velocidad de carga máxima incluso si la batería se calienta.

El cargador DCB118 está equipado con un ventilador interno diseñado para enfriar la batería. El ventilador se encenderá automáticamente cuando la batería tenga que enfriarse.

No opere nunca el cargador si el ventilador no funciona adecuadamente o si las ranuras de ventilación están obstruidas. No permita que entren objetos extraños dentro del cargador.

Sistema de protección electrónica

Las herramientas con baterías de iones de litio están diseñadas con un Sistema de protección electrónico que protegerá la batería contra la sobrecarga, el sobrecalentamiento o la descarga completa.

La herramienta se apagará automáticamente si el Sistema de protección electrónico se activa. Si esto ocurre, coloque la batería de iones de litio en el cargador hasta que esté totalmente cargada.

Montaje en la pared

DCB107, DCB112, DCB113, DCB115, DCB118, DCB132:

Estos cargadores están diseñados para montarse en la pared o colocarse en posición vertical sobre una mesa o superficie de trabajo. Si lo monta en la pared, coloque el cargador al alcance de una toma de corriente eléctrica y alejado de las esquinas u otras obstrucciones que puedan impedir el flujo de aire. Utilice la parte de atrás del cargador como plantilla para la ubicación de los tornillos de montaje en la pared. Monte el cargador firmemente utilizando tornillos para muro seco (comprados por separado) de un mínimo de 25,4 mm (1") de largo, con una cabeza de un diámetro de 7-9 mm (0,28-0,35"), atornillados en madera hasta una profundidad óptima dejando el tornillo expuesto aproximadamente 5,5 mm (7/32"). Alinee las ranuras en la parte trasera del cargador con los tornillos expuestos e introdúzcalos totalmente en las ranuras.

Instrucciones de limpieza del cargador



ADVERTENCIA: *Riesgo de descarga eléctrica. Desconecte el cargador del tomacorriente de CA antes de limpiarlo. Para limpiar la suciedad y grasa del exterior del cargador puede usarse un paño o cepillo suave no metálico. No use agua ni soluciones limpiadoras.*

Notas importantes sobre la carga

- Se puede obtener una mayor duración y un mejor rendimiento si la unidad de batería se carga a una temperatura ambiente de 18–24 °C (65–75 °F). NO cargue la unidad de batería a una temperatura ambiental inferior a +4.5 °C (+40 °F) o superior a +40 °C (+104 °F). Esto es importante y evitará causar daños graves a la batería.
- Puede que el cargador y la unidad de batería se calienten ligeramente durante el proceso de carga. Esto es normal y no representa ningún problema. Para facilitar el enfriamiento de la unidad de batería después del uso, evite colocar el cargador o la unidad de batería en un lugar cálido, como un cobertizo metálico o un remolque sin aislamiento térmico.
- Si la unidad de batería no se carga correctamente:
 - Verifique el funcionamiento de la toma enchufando una lámpara u otro aparato;
 - Revise que la toma de corriente no esté conectada a un interruptor de luz que corte la corriente cuando se corte la luz;
 - Mueva el cargador y la unidad de batería a un lugar donde la temperatura ambiental sea aproximadamente 18–24 °C (65–75 °F);
 - Si el problema de carga continúa, lleve la herramienta, unidad de batería y el cargador a su centro de servicio local.

- La unidad de batería debería ser recargada cuando no sea capaz de producir suficiente potencia para trabajos que eran fácilmente realizados antes. NO CONTINÚE usándola bajo estas circunstancias. Siga el procedimiento de carga. También puede cargar una unidad de batería que haya sido usada parcialmente cuando lo desee, sin dañarla.
- Los materiales ajenos conductores por naturaleza, tales como, pero sin limitarse a, el polvo del esmerilado, las virutas metálicas, la lana de acero, el papel de aluminio o cualquier acumulación de partículas metálicas deberían mantenerse alejados de las cavidades del cargador. Desenchufe siempre el cargador de la toma de corriente cuando no haya una unidad de batería en su cavidad. Desenchufe el cargador antes de intentar limpiarlo.
- No congele ni sumerja el cargador en agua o cualquier otro líquido.

Recomendaciones de almacenamiento

- El mejor lugar de almacenamiento es uno que sea fresco y seco, lejos de la luz solar directa y del exceso de calor o frío.
- Para resultados óptimos durante tiempos prolongados de almacenamiento, se recomienda almacenar la unidad de batería completamente cargada en un lugar fresco y seco fuera del cargador.

NOTA: Las unidades de batería no deberían almacenarse completamente descargadas. La unidad de batería deberá recargarse antes de ser usada.

GUARDE ESTAS INSTRUCCIONES PARA VOLVER A CONSULTAR EN EL FUTURO

COMPONENTES (FIG. A)

⚠ ADVERTENCIA: Nunca modifique la herramienta eléctrica, ni tampoco ninguna de sus piezas. Podría producir lesiones corporales o daños.

Consulte la Figura A al principio de este manual para obtener una lista completa de los componentes.

USO DEBIDO

Los rotomartillos inalámbricos para trabajos pesados están diseñados para aplicaciones profesionales de taladrado de concreto y cincelado.

NO utilice la herramienta en condiciones de humedad o en presencia de líquidos o gases inflamables.

Los rotomartillos inalámbricos para trabajos pesados son herramientas eléctricas profesionales.

NO permita que los niños toquen la herramienta. Si el operador no tiene experiencia operando esta herramienta, su uso deberá ser supervisado.

MONTAJE Y AJUSTES

⚠ ADVERTENCIA: Para reducir el riesgo de lesiones personales graves, apague la herramienta y retire el paquete de baterías antes de realizar ajustes o de retirar/installar dispositivos o accesorios. Un arranque accidental podría causar lesiones.

Mango lateral y barra de profundidad

(Fig. A, D)

⚠ ADVERTENCIA: Para reducir el riesgo de lesión personal, opere **SIEMPRE** la herramienta con el mango lateral instalado adecuadamente. De lo contrario, el mango lateral puede deslizarse durante el funcionamiento de la herramienta y ocasionar la pérdida de control. Sostenga la herramienta con ambas manos para maximizar el control.

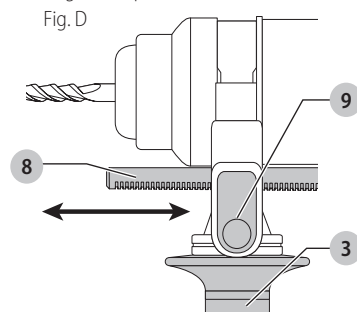
El mango lateral **3** se sujeta al lado delantero de la caja de engranajes y puede rotarse 360° para permitir su uso con la mano derecha e izquierda. El mango lateral debe ajustarse firmemente para que resista la acción de giro de la herramienta si el accesorio se atasca o se para. Asegúrese de agarrar el mango lateral por el extremo para controlar la herramienta durante una parada.

Para aflojar el mango lateral, gire en sentido antihorario.

Para ajustar la barra de profundidad

(Fig. D)

- Empuje y mantenga apretado el botón de liberación de la barra de profundidad **9** en el mango lateral.
- Mueva la barra de profundidad **8** de manera que la distancia entre el extremo de la barra y el extremo de la broca sea igual a la profundidad de taladrado deseada.



- Suelte el botón para bloquear la barra en posición. Cuando taladre con la barra de profundidad, pare cuando el extremo de la barra llegue a la superficie del material.

Gancho utilitario (Fig. A, E)

⚠ ADVERTENCIA: Para reducir el riesgo de lesión corporal grave, NO cuelgue la herramienta en alto ni cuelgue objetos del gancho utilitario. NO utilice el gancho utilitario para atar o asegurar la herramienta a una persona u objeto durante su uso.

Un gancho utilitario **13** se instala por debajo del mango principal **10** en el lado izquierdo de la herramienta.

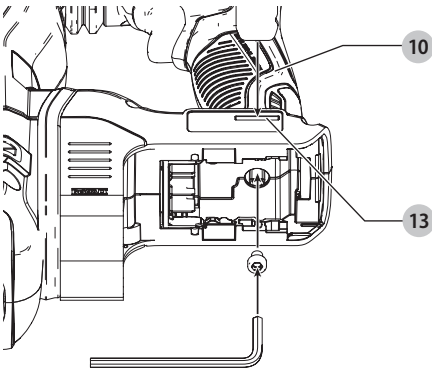
- Para extender el gancho utilitario sáquelo del lado de la herramienta.
- Para guardar el gancho utilitario empújelo hacia atrás al ras del lado de la herramienta.

Si lo desea, el gancho utilitario **13** puede retirarse completamente.

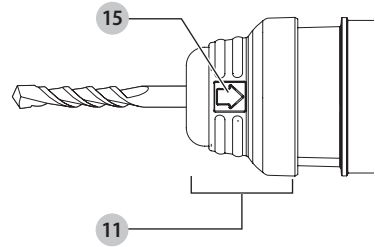
ESPAÑOL

1. Empuje el gancho utilitario en la posición al ras y retire el tornillo de cabeza hexagonal en la parte inferior del mango principal.
2. Saque el gancho utilitario hasta que esté libre de la unidad.
3. Vuelva a insertar el tornillo hexagonal y ajústelo firmemente.

Fig. E



3. Para soltar la broca, tire hacia atrás del manguito 15 y retírela. Fig. F



Broca y portabrocas

⚠️ ADVERTENCIA: Riesgo de quemaduras. Use **SIEMPRE** guantes al cambiar las brocas. Las partes metálicas de la herramienta accesibles y las brocas pueden calentarse mucho durante el funcionamiento. Los trozos pequeños de material roto pueden dañar las manos desnudas.

En el taladro percutor pueden instalarse diferentes brocas dependiendo de la aplicación deseada. Utilice **exclusivamente brocas afiladas**.

Recomendaciones de brocas

- Para madera, use brocas helicoidales, brocas de pala, brocas de taladro a motor o brocas huecas cilíndricas.
- Para metal, use brocas de taladro helicoidales de acero de alta velocidad o brocas huecas cilíndricas. Use un lubricante de corte al taladrar metales. Las excepciones son el hierro fundido y el latón, que deben ser taladrados en seco.
- Para albañilería, como ladrillo, cemento, bloque de hormigón, etc. use brocas de punta de carburo aptas para el taladrado por percusión.

Portabrocas SDS Plus (Fig. F)

NOTA: Se necesitan adaptadores especiales para utilizar el portabrocas SDS Plus con bocas de vástago recto y brocas de destornillador hexagonal. Consulte **Accesorios**.

Para insertar una broca u otro accesorio:

1. Inserte el vástago de la broca unos 19 mm (3/4") en el portaherramientas SDS Plus 11.
2. Empuje la broca y gírela hasta que se bloquee en su sitio. La broca quedará bien sujeta.

OPERACIÓN

⚠️ ADVERTENCIA: Para reducir el riesgo de lesiones personales graves, apague la herramienta y retire el paquete de baterías antes de realizar ajustes o de retirar/installar dispositivos o accesorios. Un arranque accidental podría causar lesiones.

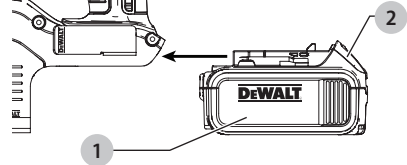
Cómo instalar y retirar la unidad de batería (Fig. G)

NOTA: Para mejores resultados, verifique que su unidad de batería esté completamente cargada.

Para instalar la unidad de batería 1 en el mango de la herramienta, alinee la unidad de batería con los rieles en el interior del mango de la herramienta y deslícela en el mango hasta que la unidad de batería quede firmemente insertada en la herramienta; verifique que ésta no se salga sola.

Para retirar la unidad de alimentación de la herramienta, presione los botones de liberación 2 y tire firmemente de la unidad de batería para sacarla del mango de la herramienta. Insértela en el cargador tal como se describe en la sección del cargador de este manual.

Fig. G



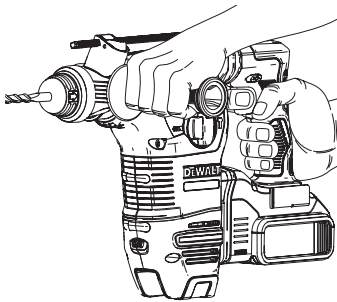
Posición adecuada de las manos (Fig. H)

⚠️ ADVERTENCIA: Para reducir el riesgo de lesión personal grave, tenga **SIEMPRE** las manos en una posición adecuada como se muestra.

⚠️ ADVERTENCIA: Para reducir el riesgo de lesión personal grave, sujete **SIEMPRE** bien en caso de que haya una reacción repentina.

Para tener una posición adecuada de las manos, ponga una mano en el mango lateral y la otra en el mango principal. Sujete la herramienta firmemente con ambas manos para controlar la acción de torsión del taladro.

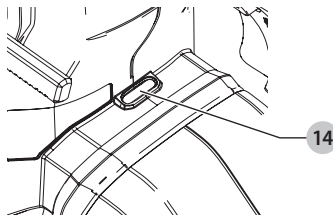
Fig. H



Sistema E-Clutch® (Fig. I)

El sistema E-Clutch® de DeWALT detecta el movimiento de la herramienta y reduce el par de torsión del motor a un nivel manejable si es necesario. El indicador del E-Clutch® **14** se iluminará para indicar el estado.

Fig. I



Indicador	Diagnóstico	Solución
APAGADO	La herramienta está funcionando normalmente	Siga todas las advertencias e instrucciones cuando opere la herramienta.
CONTINUO	El Sistema E-Clutch® ha sido activado (ENGRANADO)	Con la herramienta apoyada adecuadamente, suelte el gatillo. La herramienta funcionará normalmente cuando el gatillo se presione de nuevo y la luz del indicador se apagará.

ADVERTENCIA: El taladro puede atascarse si se sobrecarga y provocar una torsión repentina. Siempre anticipe que esto suceda. Sujete firmemente el taladro para controlar la acción de torsión y evitar lesiones.

Modalidades de funcionamiento (Fig. J)

ADVERTENCIA: No seleccione la modalidad de funcionamiento cuando la herramienta esté en funcionamiento.

ATENCIÓN: No la use nunca en modalidad de Taladrado rotativo o Martilleo rotativo con una broca de cincelar en el portabrocas. Pueden producirse lesiones corporales y daño a la herramienta.

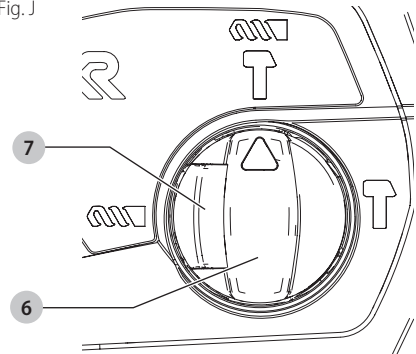
Su herramienta está equipada con un dial selector de modalidad **6** para seleccionar la modalidad apropiada para la operación deseada.

Símbolo	Modalidad	Aplicación
	Taladrado rotativo	Atornillado Taladrado en acero, madera y plásticos.
	Martilleo rotativo	Taladrado en concreto y mampostería
	Martilleo solamente	Corte por capas ligero

Para seleccionar una modalidad de funcionamiento:

1. Presione el botón de liberación del selector de modalidad **7**.
2. Rote el dial selector de modalidad para que la flecha apunte al símbolo correspondiente a la modalidad deseada.

Fig. J



NOTA: La flecha en el dial selector de modalidad **6** debe apuntar a un símbolo de modalidad en todo momento. No hay posiciones de funcionamiento entre las posiciones. Puede que sea necesario poner el motor en marcha brevemente después de haber cambiado de la modalidad de 'Martilleo solamente' a la de 'rotativo' para alinear los en ranajes.

Realización de una aplicación (Fig. A, K)

ADVERTENCIA: PARA REDUCIR EL RIESGO DE LESIONES CORPORALES COMPRUEBE, SIEMPRE que la pieza de trabajo esté asegurada o sujeta con abrazaderas firmemente. Si va a perforar un material delgado, use un bloque de madera como "respaldo" para evitar dañarlo.

ADVERTENCIA: Siempre espere hasta que el motor se haya parado por completo antes de cambiar la dirección de la rotación.

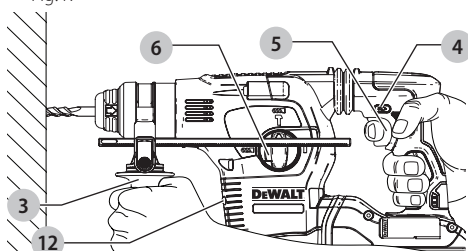
1. Elija e instale en la herramienta el mandril, adaptador y/o broca apropiados. Consulte **Broca y portabrocas**.
2. Utilizando el dial selector de modalidad **6**, seleccione la modalidad apropiada para la aplicación deseada. Consulte la sección **Modalidades de funcionamiento**.
3. Ajuste el mango lateral **3** según sea necesario.

ESPAÑOL

4. Seleccione la dirección de la rotación utilizando el botón de avance/retroceso **4**. Cuando cambie la posición del botón de control, asegúrese de que el gatillo esté suelto.
 - Para seleccionar la rotación de avance, presione el botón de control de avance/retroceso en el lado derecho de la herramienta.
 - Para seleccionar el retroceso, presione el botón de control de avance y retroceso en el lado izquierdo de la herramienta.

NOTA: La posición central del botón de control bloquea la herramienta en la posición de apagado.

Fig. K



5. Coloque la broca/cinzel en el lugar deseado.
6. Presione el interruptor de gatillo **5**. Cuando más presione el interruptor de gatillo, más rápido funcionará la herramienta. Para alargar la vida útil de la herramienta, utilice la velocidad variable solamente para perforar el comienzo de orificios o para establecer el lugar de inserción de sujetadores.

NOTA: Dependiendo de su herramienta, presionar el interruptor de gatillo activa una luz de trabajo **12** diseñada para iluminar la superficie de trabajo inmediata. Consulte la **Componentes**. La luz de trabajo se apaga automáticamente poco después de soltar el interruptor de gatillo. La luz de trabajo no está diseñada para utilizarse como linterna.
7. Para detener el martillo, suelte el interruptor.

Recomendaciones para el funcionamiento de la herramienta

- Pueden hacerse orificios grandes [de 7,9 mm a 12,7 mm (de 5/16" a 1/2")] en acero más fácilmente si se taladra primero un orificio guía [de 4 mm a 4,8 mm 5/32" a 3/16"] .
- Al taladrar, ejerza siempre presión en línea recta con la broca, pero no empuje tan fuerte como para que el motor se atasque o la broca se desvíe. Un flujo uniforme y suave de material indica que se taladra a la velocidad adecuada.
- Si va a taladrar un material delgado o un material propenso a astillarse, use un bloque de madera como "respaldo" para evitar dañar la pieza de trabajo.

ADVERTENCIA:

- No use esta herramienta para mezclar o bombear líquidos fácilmente combustibles o explosivos (bencina, alcohol, etc.).
- No mezcle o remueva líquidos inflamables etiquetados como tales.

MANTENIMIENTO

- ADVERTENCIA:** Para reducir el riesgo de lesiones personales graves, apague la herramienta y retire el paquete de baterías antes de realizar ajustes o de retirar/instalar dispositivos o accesorios. Un arranque accidental podría causar lesiones.

Limpeza

- ADVERTENCIA:** Sople la suciedad y el polvo de todos los conductos de ventilación con aire seco, al menos una vez por semana. Para reducir el riesgo de lesiones, utilice siempre protección para los ojos aprobada ANSI Z87.1 al realizar esta tarea.

- ADVERTENCIA:** Nunca utilice solventes ni otros químicos abrasivos para limpiar las piezas no metálicas de la herramienta. Estos productos químicos pueden debilitar los materiales plásticos utilizados en estas piezas. Utilice un paño humedecido sólo con agua y jabón neutro. Nunca permita que penetre líquido dentro de la herramienta ni sumerja ninguna de las piezas en un líquido.

Accesorios

- ADVERTENCIA:** Debido a que no se han probado con este producto otros accesorios que no sean los que ofrece DeWALT., el uso de dichos accesorios con esta herramienta podría ser peligroso. Para reducir el riesgo de lesiones, con este producto deben usarse sólo los accesorios recomendados por DeWALT.

Se ofrecen como opción varios tipos de brocas y cinceles SDS Plus. Los accesorios y acoplamientos utilizados deben lubricarse periódicamente alrededor del accesorio SDS Plus. Los accesorios que se recomiendan para utilizar con la herramienta están disponibles a un costo adicional en su distribuidor local o en un centro de mantenimiento autorizado. Si necesita ayuda para localizar algún accesorio, póngase en contacto con DeWALT Industrial Tool Co., 701 East Joppa Road, Towson, MD 21286, llame al 1-800-4-DeWALT (1-800-433-9258) o visite nuestro sitio web: www.dewalt.com.

Reparaciones

El cargador y las unidades de batería no pueden ser reparados.

- ADVERTENCIA:** Para asegurar la SEGURIDAD y la CONFIABILIDAD del producto, las reparaciones, el mantenimiento y los ajustes deben (inclusive inspección y cambio de carbones) ser realizados en un centro de mantenimiento en la fábrica DeWALT u en un centro de mantenimiento autorizado DeWALT. Utilice siempre piezas de repuesto idénticas.

Para reparación y servicio de sus herramientas eléctricas, favor de dirigirse al Centro de Servicio más cercano

CULIACAN, SIN

Blvd. Emiliano Zapata 5400-1 Poniente Col. (667) 717 89 99
San Rafael

GUADALAJARA, JAL

Av. La Paz #1779 - Col. Americana Sector (33) 3825 6978
Juárez

MEXICO, D.F.

Eje Central Lázaro Cárdenas No. 18 - Local (55) 5588 9377
D, Col. Obrera

MERIDA, YUC

Calle 63 #459-A - Col. Centro (999) 928 5038

MONTERREY, N.L.

Av. Francisco I. Madero 831 Poniente - Col. (818) 375 23 13
Centro

PUEBLA, PUE

17 Norte #205 - Col. Centro (222) 246 3714

QUERETARO, QRO

Av. San Roque 274 - Col. San Gregorio (442) 2 17 63 14

SAN LUIS POTOSI, SLP

Av. Universidad 1525 - Col. San Luis (444) 814 2383

TORREON, COAH

Blvd. Independencia, 96 Pte. - Col. Centro (871) 716 5265

VERACRUZ, VER

Prolongación Díaz Mirón #4280 - Col. (229) 921 7016
Remes

VILLAHERMOSA, TAB

Constitución 516-A - Col. Centro (993) 312 5111

PARA OTRAS LOCALIDADES:

**Si se encuentra en México, por favor llame al
(55) 5326 7100**

**Si se encuentra en U.S., por favor llame al
1-800-433-9258 (1-800 4-DEWALT)**

Póliza de Garantía

IDENTIFICACIÓN DEL PRODUCTO:

Sello o firma del Distribuidor.

Nombre del producto: _____

Mod./Cat.: _____

Marca: _____

Núm. de serie: _____

(Datos para ser llenados por el distribuidor)

Fecha de compra y/o entrega del producto:

Nombre y domicilio del distribuidor donde se adquirió
el producto:

Este producto está garantizado por un año a partir de la fecha de entrega, contra cualquier defecto en su funcionamiento, así como en materiales y mano de obra empleados para su fabricación. Nuestra garantía incluye la reparación o reposición del producto y/o componentes

sin cargo alguno para el cliente, incluyendo mano de obra, así como los gastos de transportación razonablemente erogados derivados del cumplimiento de este certificado.

Para hacer efectiva esta garantía deberá presentar su herramienta y esta póliza sellada por el establecimiento comercial donde se adquirió el producto, de no contar con ésta, bastará la factura de compra.

Excepciones

Esta garantía no será válida en los siguientes casos:

- Cuando el producto se hubiese utilizado en condiciones distintas a las normales;
- Cuando el producto no hubiese sido operado de acuerdo con el instructivo de uso que se acompaña;
- Cuando el producto hubiese sido alterado o reparado por personas distintas a las enlistadas al final de este certificado.

Anexo encontrará una relación de sucursales de servicio de fábrica, centros de servicio autorizados y franquiciados en la República Mexicana, donde podrá hacer efectiva su garantía y adquirir partes, refacciones y accesorios originales.

Registro en línea

Gracias por su compra. Registre su producto ahora para:

- **SERVICIO EN GARANTÍA:** Si completa esta tarjeta, podrá obtener un servicio en garantía más eficiente, en caso de que exista un problema con su producto.
- **CONFIRMATCIÓN DE PROPIEDAD:** En caso de una pérdida que cubra el seguro, como un incendio, una inundación o un robo, el registro de propiedad servirá como comprobante de compra.
- **PARA SU SEGURIDAD:** Si registra el producto, podremos comunicarnos con usted en el caso improbable que se deba enviar una notificación de seguridad conforme a la Federal Consumer Safety Act (Ley Federal de Seguridad de Productos para el Consumidor).

Registro en línea en www.dewalt.com/register.

Garantía limitada por tres años

DeWALT reparará, sin cargo, cualquier falla que surja de defectos en el material o la fabricación del producto, por hasta tres años a contar de la fecha de compra. Esta garantía no cubre fallas de las piezas causadas por su desgaste normal o abuso a la herramienta. Para mayores detalles sobre la cobertura de la garantía e información acerca de reparaciones realizadas bajo garantía, visítenos en www.dewalt.com o diríjase al centro de servicio más cercano. Esta garantía no aplica a accesorios o a daños causados por reparaciones realizadas o intentadas por terceros. Esta garantía le otorga derechos legales específicos, además de los cuales puede tener otros dependiendo del estado o la provincia en que se encuentre. Además de la garantía, las herramientas DeWALT están cubiertas por:

ESPAÑOL

2 AÑOS DE SERVICIO GRATUITO

DeWALT mantendrá la herramienta y reemplazará las piezas gastadas por el uso normal, gratuitamente, en cualquier momento durante los dos primeros años a partir de la fecha de compra.

2 AÑOS DE SERVICIO GRATUITO PARA UNIDADES DE ALIMENTACIÓN DEWALT

DC9071, DC9091, DC9096, DC9182, DC9280, DC9360, DCB120, DCB127, DCB201, DCB203, DCB203BT, DCB207, DCB361

3 AÑOS DE SERVICIO GRATUITO PARA UNIDADES DE ALIMENTACIÓN DEWALT

DCB200, DCB204, DCB204BT, DCB205, DCB206, DCB606, DCB609

NOTA: La garantía del producto quedará nula si la unidad de batería ha sido alterada de cualquier manera. DeWALT no es responsable de ninguna lesión causada por alteraciones y podría iniciar un procedimiento judicial por fraude de garantía hasta el máximo grado permisible por la ley.

GARANTÍA DE REEMBOLSO DE SU DINERO POR 90 DÍAS

Si no está completamente satisfecho con el desempeño de su máquina herramienta, láser o clavadora DeWALT, cualquiera sea el motivo, podrá devolverlo hasta 90 días de la fecha de compra con su recibo y obtener el reembolso completo de su dinero – sin necesidad de responder a ninguna pregunta.

AMÉRICA LATINA: Esta garantía no se aplica a los productos que se venden en América Latina. Para los productos que se venden en América Latina, debe consultar la información de la garantía específica del país que viene en el empaque, llamar a la compañía local o visitar el sitio Web a fin de obtener esa información.

REEMPLAZO GRATUITO DE LAS ETIQUETAS DE ADVERTENCIAS: Si sus etiquetas de advertencia se vuelven ilegibles o faltan, llame al 1-800-433-9258 (1-800-4-DeWALT) para que se le reemplacen gratuitamente.

ESPECIFICACIONES

DCH293 20 V Máx* 0–1000 rpm

Solamente para propósito de México:

Importado por: DeWALT Industrial Tool Co. S.A. de C.V.

Avenida Antonio Dovali Jaime, # 70 Torre B Piso 9

Colonia La Fe, Santa Fé

Código Postal : 01210

Delegación Álvaro Obregón

México D.F.

Tel. (52) 555-326-7100

R.F.C.: BDE810626-1W7







DeWALT BATTERY AND CHARGER SYSTEMS

**Chargers/Charge Time (Minutes)
Chargeurs/Durée de charge (Minutes)**

Cargadores de baterías/Tiempo de carga (Minutos)

Battery Cat #	Output Voltage	120 Volts														12 Volts	
		DC9000	DC9310	DC9320	DC8095	DCB101	DCB102	DCB103	DCB107	DCB112	DCB113	DCB114	DCB115	DCB118	DCB132	DCB119	DW0249
DCB606	60/20	X	X	X	X	100	100	100	272	170	140	X	90	60	90	X	X
DCB404	40	X	X	X	X	X	X	X	X	X	X	90	X	X	X	X	X
DCB406	40	X	X	X	X	X	X	X	X	X	X	130	X	X	X	X	X
DC9360	36	45	X	X	X	X	X	X	X	X	X	X	X	X	X	X	X
DCB361	36	45	X	X	X	X	X	X	X	X	X	X	X	X	X	X	X
DC9280	28	60	X	X	X	X	X	X	X	X	X	X	X	X	X	X	X
DW0242	24	X	X	X	X	X	X	X	X	X	X	X	X	X	X	X	60
DCB200	20	X	X	X	X	60	60	60	140	90	67	X	45	45/30**	45	90	X
DCB201	20	X	X	X	X	30	30	30	70	45	35	X	22	22	22	45	X
DCB203	20	X	X	X	X	35	35	35	90	60	45	X	30	30	30	60	X
DCB203BT*	20	X	X	X	X	35	35	35	90	60	45	X	30	30	30	60	X
DCB204	20	X	X	X	X	70	70	70	185	120	90	X	60	60/40**	60	120	X
DCB204BT*	20	X	X	X	X	70	70	70	185	120	90	X	60	60	60	120	X
DCB205	20	X	X	X	X	95	95	95	240	150	112	X	75	75/47**	75	150	X
DCB207	20	X	X	X	X	30	30	30	60	40	30	X	22	22	22	X	X
DC9182	18	X	40	40	X	X	X	40	X	X	X	X	X	X	X	X	40
DCB120	12	X	X	X	X	30	30	30	60	45	35	X	20	X	X	45	X
DCB127	12	X	X	X	X	35	35	35	90	60	50	X	30	X	X	60	X
DCB080	8	X	X	X	60	X	X	X	X	X	X	X	X	X	X	X	X

*BT - Bluetooth® **NOTE:** The Bluetooth® word mark and logos are registered trademarks owned by the Bluetooth®, SIG, Inc. and any use of such marks by DeWALT is under license. Other trademarks and trade names are those of their respective owners.

**Battery Datecode 201536 or later.

"X" Indicates that the battery pack is not compatible with that specific charger. All charge times are approximate. Actual charge time may vary. Read the instruction manual for more specific information.

"X" indique que le bloc-piles n'est pas compatible avec ce chargeur. Les durées de charge sont approximatives; la durée de charge réelle peut varier. Lire le manuel d'utilisation pour obtenir des renseignements plus précis.

Una "X" indica que el paquete de baterías no es compatible con ese determinado cargador. El tiempo de duración de carga es aproximado; la duración de carga real puede variar. Lea el manual de instrucciones para obtener información más precisa.

* Maximum initial battery voltage (measured without a workload) is 20 volts. Nominal voltage is 18.

* La tension initiale maximum du bloc-piles (mesurée à vide) est de 20 volts. La tension nominale est de 18.

* El máximo voltaje inicial de la batería (medido sin carga de trabajo) es 20 voltios. El voltaje nominal es de 18.

DeWALT Industrial Tool Co., 701 East Joppa Road, Towson, MD 21286
(AUG16) Part No. N486277 DCH293 Copyright © 2016 DeWALT

The following are trademarks for one or more DeWALT power tools: the yellow and black color scheme, the "D" shaped air intake grill, the array of pyramids on the handgrip, the kit box configuration, and the array of lozenge-shaped humps on the surface of the tool.