

DEWALT®



**Instruction Manual
Guide D'utilisation
Manual de instrucciones**

DCD1007

20V Max* 3-Speed Brushless Drill/Driver/Hammerdrill

Perceuses/visseuses/perceuses à percussion à

3 vitesses 20V max*

Taladro/Destornillador/Rotomartillo de 3 velocidades 20V Máx*

www.DEWALT.com

**If you have questions or comments, contact us.
Pour toute question ou tout commentaire, nous contacter.
Si tiene dudas o comentarios, contáctenos.**

1-800-4-DEWALT

English (**original instructions**)

5

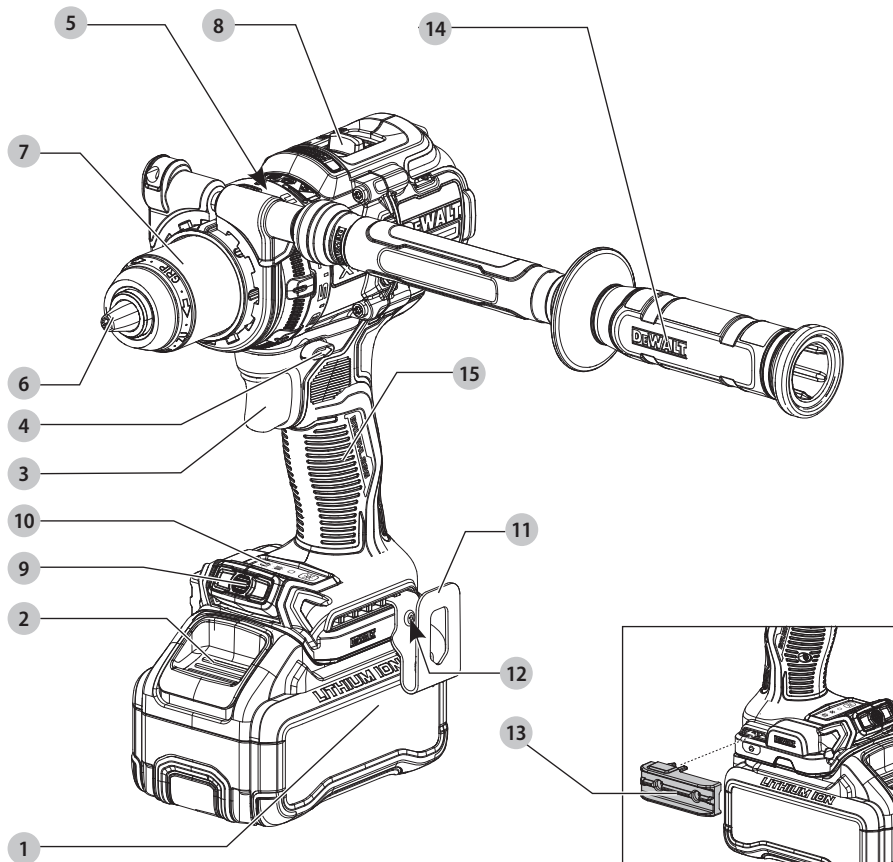
Français (*traduction de la notice d'instructions originale*)

15

Español (*traducido de las instrucciones originales*)

27

Fig. A



- 1 Battery pack
- 2 Battery release button
- 3 Variable speed trigger switch
- 4 Forward/reverse control button
- 5 Mode selection collar
- 6 Keyless chuck
- 7 Chuck sleeve
- 8 Speed selector
- 9 Pivoting LED Worklight
- 10 Worklight button
- 11 Belt hook
- 12 Mounting screw
- 13 Bit clip (Optional accessory)
- 14 Side handle
- 15 Main handle

- 1 Bloc-piles
- 2 Bouton de libération du bloc-piles
- 3 Gâchette de vitesse variable
- 4 Bouton de commande Avancer/Reculer
- 5 Collier de sélection du mode
- 6 Mandrin sans clé
- 7 Douille du mandrin
- 8 Sélecteur de vitesses
- 9 Lampe de travail à DEL pivotante
- 10 Interrupteur de la lampe de travail
- 11 Agrafe pour courroie
- 12 Vis de montage
- 13 Pince de la mèche (accessoire optionnel)
- 14 Poignée latérale
- 15 Poignée principale

- 1 Paquete de batería
- 2 Botón de liberación de batería
- 3 Gatillo de velocidad variable
- 4 Botón de control de avance/reversa
- 5 Collar de selección de modo
- 6 Mandril sin llave
- 7 Camisa del mandril
- 8 Selector de velocidad
- 9 Luz de trabajo LED giratoria
- 10 Interruptor de la luz de trabajo
- 11 Gancho de cinturón
- 12 Tornillo de montaje
- 13 Sujetador de broca (Accesorio opcional)
- 14 Empuñadura lateral
- 15 Empuñadura principal

Fig. B

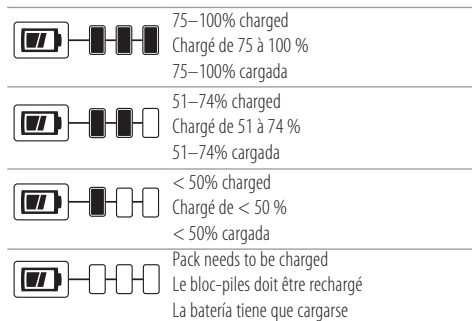


Fig. C

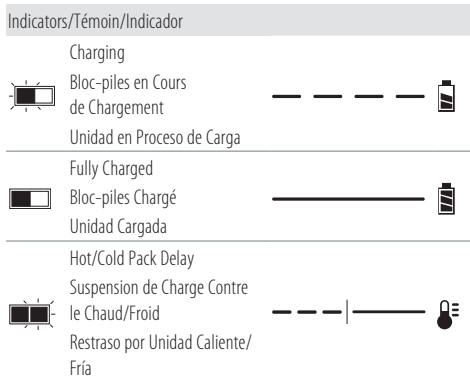


Fig. D

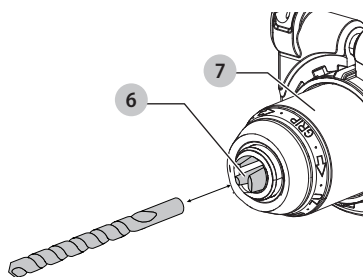


Fig. E

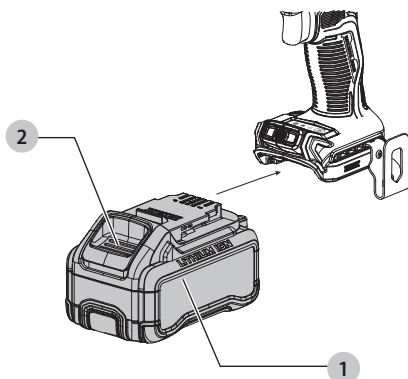


Fig. F1

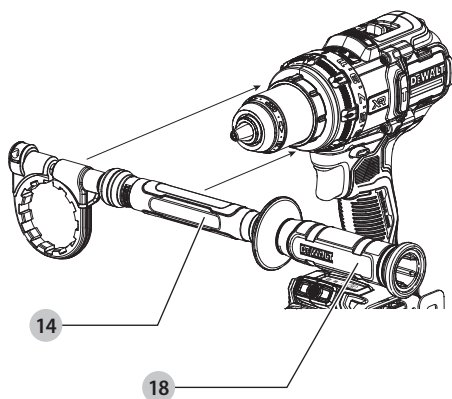


Fig. F2

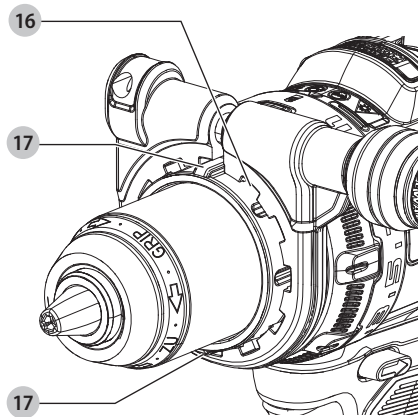
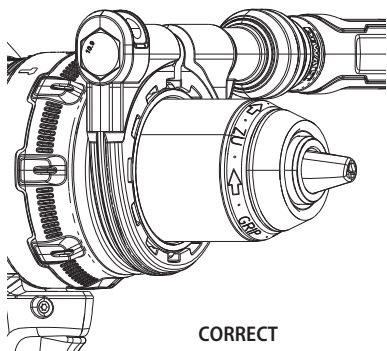
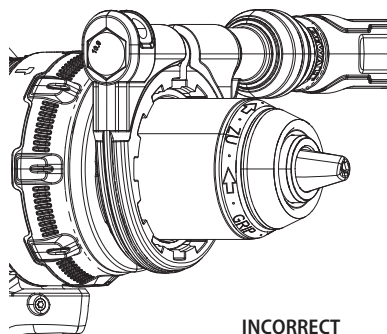


Fig. F3

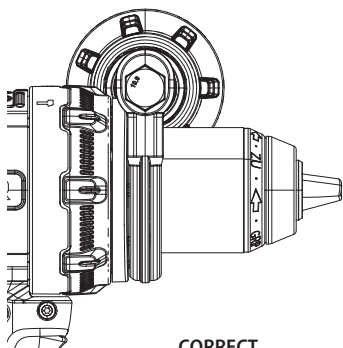


**CORRECT
CORRECTE
CORRECTA**

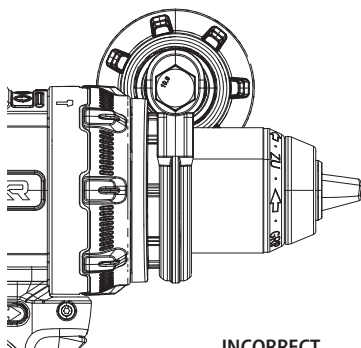


**INCORRECT
INCORRECTE
INCORRECTA**

Fig. F4



**CORRECT
CORRECTE
CORRECTA**



**INCORRECT
INCORRECTE
INCORRECTA**

Fig. G

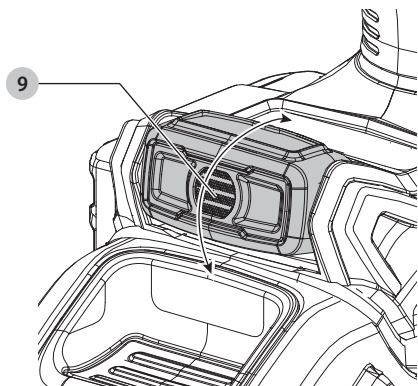
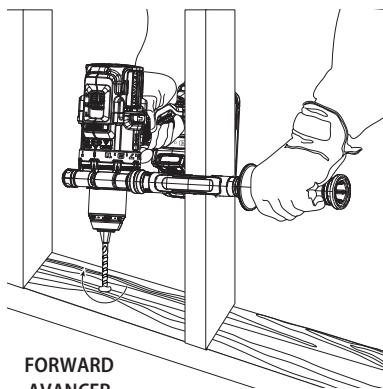
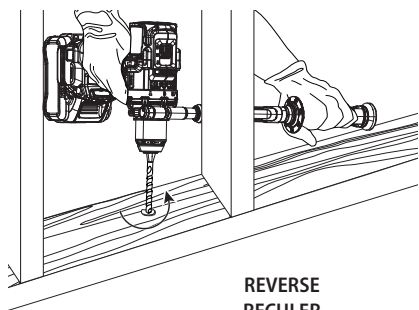


Fig. H



**FORWARD
AVANCER
AVANCE**

Fig. I



**REVERSE
RECULER
REVERSA**

Fig. J

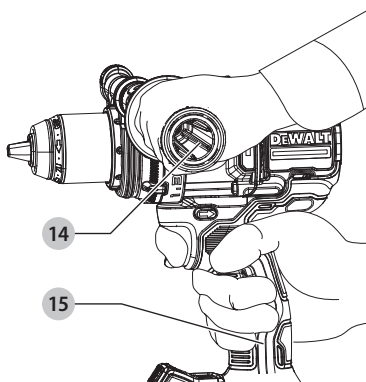


Fig. K

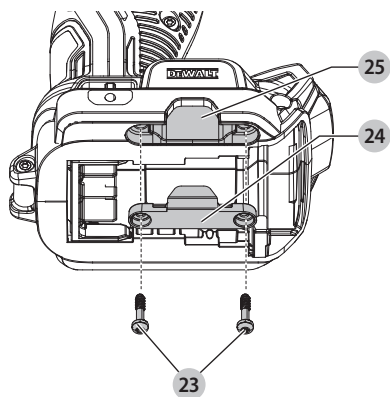
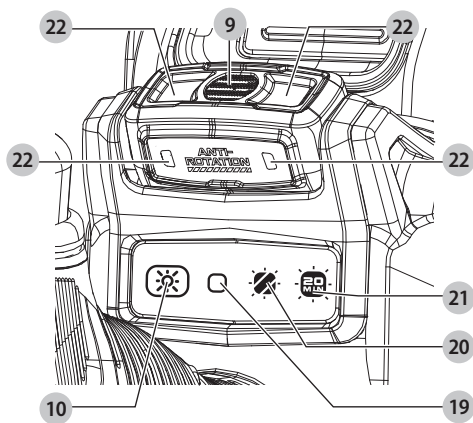


Fig. L





WARNING: Read all safety warnings and all instructions. Failure to follow the warnings and instructions may result in electric shock, fire and/or serious injury.



WARNING: To reduce the risk of injury, read the instruction manual.

Intended Use

This drill/driver/hammerdrill is designed for professional drilling and screwdriving and hammerdrilling applications.

DO NOT use under wet conditions or in presence of flammable liquids or gases.

DO NOT let children come into contact with the tool. Supervision is required when inexperienced operators use this tool.

Definitions: Safety Alert Symbols and Words

This instruction manual uses the following safety alert symbols and words to alert you to hazardous situations and your risk of personal injury or property damage.



DANGER: Indicates an imminently hazardous situation which, if not avoided, **will** result in **death or serious injury**.



WARNING: Indicates a potentially hazardous situation which, if not avoided, **could** result in **death or serious injury**.



CAUTION: Indicates a potentially hazardous situation which, if not avoided, **may** result in **minor or moderate injury**.



(Used without word) Indicates a safety related message.

NOTICE: Indicates a practice **not related to personal injury** which, if not avoided, **may** result in **property damage**.

GENERAL POWER TOOL SAFETY WARNINGS



WARNING: Read all safety warnings, instructions, illustrations and specifications provided with this power tool. Failure to follow all instructions listed below may result in electric shock, fire and/or serious injury.

SAVE ALL WARNINGS AND INSTRUCTIONS FOR FUTURE REFERENCE.

The term "power tool" in the warnings refers to your mains-operated (corded) power tool or battery-operated (cordless) power tool.

1) Work Area Safety

- Keep work area clean and well lit.** Cluttered or dark areas invite accidents.
- Do not operate power tools in explosive atmospheres, such as in the presence of flammable liquids, gases or dust.** Power tools create sparks which may ignite the dust or fumes.
- Keep children and bystanders away while operating a power tool.** Distractions can cause you to lose control.

2) Electrical Safety

- Power tool plugs must match the outlet. Never modify the plug in any way. Do not use any adapter plugs with earthed (grounded) power tools.** Unmodified plugs and matching outlets will reduce risk of electric shock.
- Avoid body contact with earthed or grounded surfaces, such as pipes, radiators, ranges and refrigerators.** There is an increased risk of electric shock if your body is earthed or grounded.
- Do not expose power tools to rain or wet conditions.** Water entering a power tool will increase the risk of electric shock.
- Do not abuse the cord. Never use the cord for carrying, pulling or unplugging the power tool. Keep cord away from heat, oil, sharp edges or moving parts.** Damaged or entangled cords increase the risk of electric shock.
- When operating a power tool outdoors, use an extension cord suitable for outdoor use.** Use of a cord suitable for outdoor use reduces the risk of electric shock.
- If operating a power tool in a damp location is unavoidable, use a ground fault circuit interrupter (GFCI) protected supply.** Use of a GFCI reduces the risk of electric shock.

3) Personal Safety

- Stay alert, watch what you are doing and use common sense when operating a power tool. Do not use a power tool while you are tired or under the influence of drugs, alcohol or medication.** A moment of inattention while operating power tools may result in serious personal injury.
- Use personal protective equipment. Always wear eye protection.** Protective equipment such as a dust mask, non-skid safety shoes, hard hat, or hearing protection used for appropriate conditions will reduce personal injuries.
- Prevent unintentional starting. Ensure the switch is in the off position before connecting to power source and/or battery pack, picking up or carrying the tool.** Carrying power tools with your finger on the switch or energizing power tools that have the switch on invites accidents.
- Remove any adjusting key or wrench before turning the power tool on.** A wrench or a key left attached to a rotating part of the power tool may result in personal injury.
- Do not overreach. Keep proper footing and balance at all times.** This enables better control of the power tool in unexpected situations.
- Dress properly. Do not wear loose clothing or jewelry. Keep your hair, clothing and gloves away from moving parts.** Loose clothes, jewelry or long hair can be caught in moving parts.
- If devices are provided for the connection of dust extraction and collection facilities, ensure these are connected and properly used.** Use of dust collection can reduce dust-related hazards.

- h) **Do not let familiarity gained from frequent use of tools allow you to become complacent and ignore tool safety principles.** A careless action can cause severe injury within a fraction of a second.

4) Power Tool Use and Care

- a) **Do not force the power tool. Use the correct power tool for your application.** The correct power tool will do the job better and safer at the rate for which it was designed.
- b) **Do not use the power tool if the switch does not turn it on and off.** Any power tool that cannot be controlled with the switch is dangerous and must be repaired.
- c) **Disconnect the plug from the power source and/or remove the battery pack, if detachable, from the power tool before making any adjustments, changing accessories, or storing power tools.** Such preventive safety measures reduce the risk of starting the power tool accidentally.
- d) **Store idle power tools out of the reach of children and do not allow persons unfamiliar with the power tool or these instructions to operate the power tool.** Power tools are dangerous in the hands of untrained users.
- e) **Maintain power tools and accessories. Check for misalignment or binding of moving parts, breakage of parts and any other condition that may affect the power tool's operation. If damaged, have the power tool repaired before use.** Many accidents are caused by poorly maintained power tools.
- f) **Keep cutting tools sharp and clean.** Properly maintained cutting tools with sharp cutting edges are less likely to bind and are easier to control.
- g) **Use the power tool, accessories and tool bits, etc. in accordance with these instructions, taking into account the working conditions and the work to be performed.** Use of the power tool for operations different from those intended could result in a hazardous situation.
- h) **Keep handles and grasping surfaces dry, clean and free from oil and grease.** Slippery handles and grasping surfaces do not allow for safe handling and control of the tool in unexpected situations.

5) Battery Tool Use and Care

- a) **Recharge only with the charger specified by the manufacturer.** A charger that is suitable for one type of battery pack may create a risk of fire when used with another battery pack.
- b) **Use power tools only with specifically designated battery packs.** Use of any other battery packs may create a risk of injury and fire.
- c) **When battery pack is not in use, keep it away from other metal objects, like paper clips, coins, keys, nails, screws or other small metal objects, that can make a connection from one terminal to another.** Shorting the battery terminals together may cause burns or a fire.

- d) **Under abusive conditions, liquid may be ejected from the battery; avoid contact. If contact accidentally occurs, flush with water. If liquid contacts eyes, additionally seek medical help.** Liquid ejected from the battery may cause irritation or burns.
- e) **Do not use a battery pack or tool that is damaged or modified.** Damaged or modified batteries may exhibit unpredictable behavior resulting in fire, explosion or risk of injury.
- f) **Do not expose a battery pack or tool to fire or excessive temperature.** Exposure to fire or temperature above 265 °F (130 °C) may cause explosion.
- g) **Follow all charging instructions and do not charge the battery pack or tool outside the temperature range specified in the instructions.** Charging improperly or at temperatures outside the specified range may damage the battery and increase the risk of fire.

6) Service

- a) **Have your power tool serviced by a qualified repair person using only identical replacement parts.** This will ensure that the safety of the power tool is maintained.
- b) **Never service damaged battery packs.** Service of battery packs should only be performed by the manufacturer or authorized service providers.

DRILL/IMPACT DRILL SAFETY WARNINGS

1) Safety Instructions for All Operations

- a) **Wear ear protectors when impact drilling.** Exposure to noise can cause hearing loss.
- b) **Use the auxiliary handle(s).** Loss of control can cause personal injury.
- c) **Brace the tool properly before use.** This tool produces a high output torque and without properly bracing the tool during operation, loss of control may occur resulting in personal injury.
- d) **Hold the power tool by insulated gripping surfaces, when performing an operation where the cutting accessory or fasteners may contact hidden wiring.** Cutting accessory or fastener contacting a "live" wire may make exposed metal parts of the power tool "live" and could give the operator an electric shock.

2) Safety Instructions When Using Long Drill Bits

- a) **Never operate at higher speed than the maximum speed rating of the drill bit.** At higher speeds, the bit is likely to bend if allowed to rotate freely without contacting the workpiece, resulting in personal injury.
- b) **Always start drilling at low speed and with the bit tip in contact with the workpiece.** At higher speeds, the bit is likely to bend if allowed to rotate freely without contacting the workpiece, resulting in personal injury.

- c) **Apply pressure only in direct line with the bit and do not apply excessive pressure.** Bits can bend causing breakage or loss of control, resulting in personal injury.

Additional Safety Warnings for Drills

- **Do not operate this tool for long periods of time.**
Vibration caused by the operating action of this tool may cause permanent injury to fingers, hands, and arms. Use gloves to provide extra cushion, take frequent rest periods, and limit daily time of use.
- **Hammer bits and tools get hot during operation.**
Wear gloves when touching them.

Additional Safety Information

WARNING: Never modify the power tool or any part of it. Damage or personal injury could result.

WARNING: ALWAYS use safety glasses. Everyday eyeglasses are NOT safety glasses. Also use face or dust mask if cutting operation is dusty. ALWAYS WEAR CERTIFIED SAFETY EQUIPMENT:

- ANSI Z87.1 eye protection (CAN/CSA Z94.3),
- ANSI S12.6 (S3.19) hearing protection,
- NIOSH/OSHA/MSHA respiratory protection.

WARNING: Some dust created by power sanding, sawing, grinding, drilling, and other construction activities contains chemicals known to the State of California to cause cancer, birth defects or other reproductive harm. Some examples of these chemicals are:

- lead from lead-based paints,
- crystalline silica from bricks and cement and other masonry products, and
- arsenic and chromium from chemically-treated lumber.

Your risk from these exposures varies, depending on how often you do this type of work. To reduce your exposure to these chemicals: work in a well ventilated area, and work with approved safety equipment, such as those dust masks that are specially designed to filter out microscopic particles.

- **Wear protective clothing and wash exposed areas with soap and water.** Allowing dust to get into your mouth, eyes, or lay on the skin may promote absorption of harmful chemicals. Direct particles away from face and body.
- **Use the appropriate dust extractor vacuum to remove the vast majority of static and airborne dust.** Failure to remove static and airborne dust could contaminate the working environment or pose an increased health risk to the operator and those in close proximity.
- **Use clamps or other practical ways to secure and support the workpiece to a stable platform.** Holding the work by hand or against your body is unstable and may lead to loss of control and injury.
- **Air vents often cover moving parts and should be avoided.** Loose clothes, jewelry or long hair can be caught in moving parts.



CAUTION: When not in use, place tool on its side on a stable surface where it will not cause a tripping or falling hazard. Some tools with large battery packs will stand upright on the battery pack but may be easily knocked over.

The label on your tool may include the following symbols. The symbols and their definitions are as follows:

V.....volts	or AC/DC.....alternating or direct current
Hz.....hertzClass II Construction (double insulated)
min.....minutes	n ₀no load speed
— — or DC.....direct current	n.....rated speed
.....Class I Construction (grounded)	PSI.....pounds per square inch
.../min.....per minuteearthing terminal
BPM.....beats per minutesafety alert symbol
IPM.....impacts per minutevisible radiation—do not stare into the light
OPM.....oscillations per minutewear respiratory protection
RPM.....revolutions per minutewear eye protection
sfpm.....surface feet per minutewear hearing protection
SPM.....strokes per minuteread all documentation
A.....amperesdo not expose to rain
W.....watts	
Wh.....watt hours	
Ah.....amp hours	
~ or AC.....alternating current	

BATTERIES AND CHARGERS

The battery pack is not fully charged out of the carton. Before using the battery pack and charger, read the safety instructions below and then follow charging procedures outlined. When ordering replacement battery packs, be sure to include the catalog number and voltage.

READ ALL INSTRUCTIONS

Important Safety Instructions for All Battery Packs



WARNING: Read all safety warnings, instructions, and cautionary markings for the battery pack, charger and product. Failure to follow the warnings and instructions may result in electric shock, fire and/or serious injury.

- **Do not charge or use the battery pack in explosive atmospheres, such as in the presence of flammable liquids, gases or dust.** Inserting or removing the battery pack from the charger may ignite the dust or fumes.
- **NEVER force the battery pack into the charger. DO NOT modify the battery pack in any way to fit into a non-compatible charger as battery pack may rupture causing serious personal injury.** Consult the chart at the end of this manual for compatibility of batteries and chargers.
- **Charge the battery packs only in DeWALT chargers.**
- **DO NOT splash or immerse in water or other liquids.**
- **DO NOT allow water or any liquid to enter battery pack.**

- **Do not store or use the tool and battery pack in locations where the temperature may reach or exceed 104 °F (40 °C) (such as outside sheds or metal buildings in summer).** For best life store battery packs in a cool, dry location.

NOTE: Do not store the battery packs in a tool with the trigger switch locked on. Never tape the trigger switch in the ON position.

- **Do not incinerate the battery pack even if it is severely damaged or is completely worn out.** The battery pack can explode in a fire. Toxic fumes and materials are created when lithium-ion battery packs are burned.
- **Do not expose a battery pack or appliance to fire or excessive temperature.** Exposure to fire or temperature above 265 °F (130 °C) may cause explosion.
- **Follow all charging instructions and do not charge the battery pack or appliance outside of the temperature range specified in the instructions.** Charging improperly or at temperatures outside of the specified range may damage the battery and increase the risk of fire.
- **If battery contents come into contact with the skin, immediately wash area with mild soap and water.** If battery liquid gets into the eye, rinse water over the open eye for 15 minutes or until irritation ceases. If medical attention is needed, the battery electrolyte is composed of a mixture of liquid organic carbonates and lithium salts.
- **Contents of opened battery cells may cause respiratory irritation.** Provide fresh air. If symptoms persist, seek medical attention.
- **Battery liquid may be flammable if exposed to spark or flame.**
- **Never attempt to open the battery pack for any reason. If the battery pack case is cracked or damaged, do not insert into the charger.** Do not crush, drop or damage the battery pack. Do not use a battery pack or charger that has received a sharp blow, been dropped, run over or damaged in any way (e.g., pierced with a nail, hit with a hammer, stepped on). Damaged battery packs should be returned to the service center for recycling.

Storage Recommendations

The best storage place is one that is cool and dry, away from direct sunlight and excess heat or cold. Store the fully charged battery pack out of the charger.

Battery Pack Cleaning Instructions

Dirt and grease may be removed from the exterior of the battery pack using a cloth or soft non-metallic brush. Do not use water or any cleaning solutions.

Fuel Gauge Battery Packs (Fig. B)

Some battery packs include a fuel gauge. When the fuel gauge button is pressed and held, the LED lights will indicate the approximate level of charge remaining. This does not indicate tool functionality and is subject to variation based on product components, temperature, and end-user application.

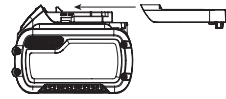
Transportation



WARNING: Fire hazard. Do not store, carry, or transport the battery pack so that metal objects can contact exposed battery terminals. For example, do not place the battery pack in aprons, pockets, tool boxes, product kit boxes, drawers, etc., with loose nails, screws, keys, coins, hand tools, etc. When transporting individual battery packs, make sure that the battery terminals are protected and well insulated from materials that could contact them and cause a short circuit. **NOTE: Li-ion battery packs should not be put in checked baggage on airplanes and must be properly protected from short circuits if they are in carry-on baggage.**

Shipping the DeWALT FLEXVOLT® Battery Pack

The DeWALT FLEXVOLT® battery pack has a battery cap that should be used when shipping the battery pack.



Attach the cap to the battery pack to ready it for shipping. This converts the battery pack to three separate 20V batteries. The three batteries have the Watt hour rating labeled "Shipping" on the battery pack. If shipping without the cap or in a tool, the pack is one battery at the Watt hour rating labeled "Use."

Example battery pack label:

USE: 120 Wh SHIPPING: 3 x 40 Wh

In this example, the battery pack is three batteries with 40 Watt hours each when using the cap. Otherwise, the battery pack is one battery with 120 Watt hours.

The RBRC® Seal

Please take your spent battery packs to an authorized DeWALT service center or to your local retailer for recycling. In some areas, it is illegal to place spent battery packs in the trash. You may also contact your local recycling center for information on where to drop off the spent battery pack. Do not place in curbside recycling. For more information visit www.call2recycle.org or call the toll-free number in the RBRC® Seal.

RBRC® is a registered trademark of Call 2 Recycle, Inc.



Important Safety Instructions for All Battery Chargers



WARNING: Read all safety warnings, instructions, and cautionary markings for the battery pack, charger and product. Failure to follow the warnings and instructions may result in electric shock, fire and/or serious injury.

- **DO NOT attempt to charge the battery pack with any chargers other than a DeWALT charger.** DeWALT chargers and battery packs are specifically designed to work together.

- **These chargers are not intended for any uses other than charging DeWALT rechargeable battery packs.** Charging other types of battery packs may cause them to overheat and burst, resulting in personal injury, property damage, fire, electric shock or electrocution.
- **Do not expose the charger to rain or snow.**
- **Do not allow water or any liquid to enter charger.**
- **Pull by the plug rather than the cord when disconnecting the charger.** This will reduce the risk of damage to the electric plug and cord.
- **Make sure that the cord is located so that it will not be stepped on, tripped over or otherwise subjected to damage or stress.**
- **Do not use an extension cord unless it is absolutely necessary.** Use of improper extension cord could result in risk of fire, electric shock or electrocution.
- **When operating a charger outdoors, always provide a dry location and use an extension cord suitable for outdoor use.** Use of a cord suitable for outdoor use reduces the risk of electric shock.
- **An extension cord must have adequate wire size (AWG or American Wire Gauge) for safety.** The smaller the gauge number of the wire, the heavier the cord and thus the greater its capacity. An undersized cord will cause a drop in line voltage resulting in loss of power and overheating. The following table shows the correct size to use depending on total length of all extension cords plugged together, and nameplate ampere rating. If in doubt, use the next heavier gauge.

Minimum Gauge for Cord Sets

Volts		Total Length of Cord in Feet (meters)			
		25 (7.6)	50 (15.2)	100 (30.5)	150 (45.7)
Ampere Rating		American Wire Gauge			
More Than	Not More Than				
0	6	18	16	16	14
6	10	18	16	14	12
10	12	16	16	14	12
12	16	14	12	Not Recommended	

- **Do not place any object on top of the charger or place the charger on a soft surface that might block the ventilation slots and result in excessive internal heat.** Place the charger in a position away from any heat source. The charger is ventilated through slots in the top and the bottom of the housing.
- **Do not operate the charger with a damaged cord or plug.** Have them replaced immediately.
- **Do not operate the charger if it has received a sharp blow, been dropped or otherwise damaged in any way.** Take it to an authorized service center.
- **Do not disassemble the charger; take it to an authorized service center when service or repair is required.** Incorrect reassembly may result in a risk of electric shock, electrocution or fire.
- **The charger is designed to operate on standard 120V household electrical power. Do not attempt to use it on any other voltage.** This does not apply to the vehicular charger.

- **Foreign materials of a conductive nature, such as, but not limited to, grinding dust, metal chips, steel wool, aluminum foil or any buildup of metallic particles should be kept away from the charger cavities and ventilation slots.**
- **Always unplug the charger from the power supply when there is no battery pack in the cavity.**

Charging a Battery (Fig. A, C)

1. Plug the charger into an appropriate outlet.
2. Insert and fully seat battery pack **1**. The red charging light(s) will continuously blink while charging.
3. Charging is complete when the red charging light(s) remain(s) continuously ON. Battery pack can be left in charger or removed.



WARNING: Only charge batteries in air temperature over 40 °F (4.5 °C) and below 104 °F (40 °C).

4. Charger will not charge a faulty battery pack, which may be indicated by the charging light(s) staying OFF. Take charger and battery pack to an authorized service center if light(s) stay(s) OFF.

NOTE: Refer to label near charging light(s) on charger for blink patterns. Older chargers may have additional information and/or may not have a yellow indicator light.

NOTE: To remove the battery pack, some chargers require the battery pack release button **2** to be pressed.

Hot/Cold Pack Delay

When the charger detects a battery pack that is too hot or too cold, it automatically starts a Hot/Cold Pack Delay, suspending charging until the battery pack has reached an appropriate temperature. The charger then automatically switches to the pack charging mode. This feature ensures maximum battery pack life.

A cold battery pack may charge at a slower rate than a warm battery pack.

The hot/cold pack delay will be indicated by the red light(s) continuing to blink but with the yellow light continuously ON. Once the battery pack has reached an appropriate temperature, the yellow light will turn OFF and the charger will resume the charging procedure.

DCB118 and DCB1112 Chargers

The DCB118 and DCB1112 chargers are equipped with an internal fan designed to cool the battery pack. The fan will turn on automatically when the battery pack needs to be cooled.

Never operate the charger if the fan does not operate properly or if ventilation slots are blocked. Do not permit foreign objects to enter the interior of the charger.


Electronic Protection System

Li-ion tools are designed with an Electronic Protection System that will protect the battery pack against overloading, overheating or deep discharge. The tool will automatically turn off and the battery pack will need to be recharged.

Important Charging Notes

- Longest life and best performance can be obtained if the battery pack is charged when the air temperature is between 65 °F – 75 °F (18 °C – 24 °C). DO NOT charge when the battery pack is below 40 °F (4.5 °C), or above 104 °F (40 °C). This is important and will prevent serious damage to the battery pack.
- The charger and battery pack may become warm to the touch while charging. This is a normal condition, and does not indicate a problem. To facilitate the cooling of the battery pack after use, avoid placing the charger or battery pack in a warm environment such as in a metal shed or an uninsulated trailer.
- If the battery pack does not charge properly:
 - Check operation of receptacle by plugging in a lamp or other appliance;
 - Check to see if receptacle is connected to a light switch which turns power off when you turn out the lights;
 - If charging problems persist, take the tool, battery pack and charger to your local service center.
- You may charge a partially used pack whenever you desire with no adverse effect on the battery pack.

Charger Cleaning Instructions


-  **WARNING:** Shock hazard. Disconnect the charger from the AC outlet before cleaning. Dirt and grease may be removed from the exterior of the charger using a cloth or soft non-metallic brush. Do not use water or any cleaning solutions.

Wall Mounting


Some DEWALT chargers are designed to be wall mountable or to sit upright on a table or work surface. If wall mounting, locate the charger within reach of an electrical outlet, and away from a corner or other obstructions which may impede air flow. Use the back of the charger as a template for the location of the mounting screws on the wall. Mount the charger securely using drywall screws (purchased separately) at least 1" (25.4 mm) long, with a screw head diameter of 0.28–0.35" (7–9 mm), screwed into wood to an optimal depth leaving approximately 7/32" (5.5 mm) of the screw exposed. Align the slots on the back of the charger with the exposed screws and fully engage them in the slots.


SAVE THESE INSTRUCTIONS FOR FUTURE USE

ASSEMBLY AND ADJUSTMENTS

-  **WARNING:** To reduce the risk of serious personal injury, turn unit off and remove the battery pack before making any adjustments or removing/installing attachments or accessories. An accidental start-up can cause injury.

Torque (Fig. H, I)

-  **WARNING:** This is a high-torque drill. To reduce the risk of serious personal injury, ALWAYS hold tool firmly with both hands in the proper position for operation as shown.

-  **WARNING:** NEVER brace the tool against the battery pack.


- Torque is the twisting action the drill produces in regards to the rotating bit. As the drill bit meets resistance in the material being drilled, the motor responds by adjusting the output torque to meet the requirement up to the maximum capacity of the motor and gear system.
- The bit rotates clockwise when the tool is in the forward position and counterclockwise when the tool is in the reverse position.
- The tool reaction torque is in the opposite direction.

ANTI-ROTATION System (Fig. L)

Your tool is equipped with the DEWALT ANTI-ROTATION System. This feature senses the motion of the tool and shuts the tool down if necessary. The red LED indicator **22** illuminates when the ANTI-ROTATION System is engaged.

INDICATOR	DIAGNOSIS	SOLUTION
OFF	Tool is functioning normally	Follow all warnings and instructions when operating the tool.
SOLID RED	ANTI-ROTATION System has been activated (ENGAGED)	With the tool properly supported, release trigger. The tool will function normally when the trigger is depressed again and the indicator light will go out.


Side Handle (Fig. F1–F4)


-  **WARNING:** To reduce the risk of personal injury, ALWAYS operate the tool with the side handle properly installed. Failure to do so may result in the side handle slipping during tool operation and subsequent loss of control. Hold tool with both hands to maximize control.

The side handle **14** clamps to the front of the gear case and may be installed in multiple positions to permit right- or left-hand use. After the side handle is rotated into position, it should be pushed rearward until the slots **16** on the lip of the side handle are aligned and fully engaged with the projecting tabs **17** on the top and bottom of the gear case. The side handle is then securely clamped by turning the handle grip **18** clockwise until tight. Be sure to grip the side handle at the far end on the handle grip to control the tool during a stall.

IMPORTANT: Figures F3 and F4 illustrate correct and incorrect installation of the side handle.

Installing a Bit or Accessory into a Keyless Chuck (Fig. D)

-  **WARNING:** Do not attempt to tighten drill bits (or any other accessory) by gripping the front part of the chuck and turning the tool on. Damage to the chuck and personal injury may result. Always lock off trigger switch and disconnect tool from power source when changing accessories.

-  **WARNING:** Always ensure the bit is secure before starting the tool. A loose bit may eject from tool causing possible personal injury.

WARNING: The keyless chuck is unlocked after the first click in the counterclockwise direction with the chuck sleeve. Operation in the unlocked condition may cause unintentional opening of the keyless chuck.

To insert a drill bit or other accessory, follow these steps.



1. Turn tool off and remove battery pack.
2. Grasp the black sleeve of the chuck with one hand and use the other hand to secure the tool. Rotate the sleeve counterclockwise far enough to accept the desired accessory.
3. Insert the accessory about 3/4" (19 mm) into the chuck ⑥ and tighten securely by grasping and rotating the chuck sleeve ⑦ clockwise with one hand while holding the tool with the other. When the chuck is nearly tightened you will hear a clicking sound. Continue tightening as far as you can. Your tool is equipped with an automatic spindle lock mechanism. This allows you to open and close the chuck with one hand.
4. Be sure to tighten the chuck with one hand on the chuck sleeve and one hand holding the tool for maximum tightness. When tightening, do not turn in the counterclockwise direction.
5. To release the accessory, repeat steps 1 and 2 above.

Mode Selection (Fig. A)

The mode selection collar ⑤ can be used to select the correct operating mode depending upon the planned application.

To select, rotate the collar until the desired symbol aligns with the arrow.

WARNING: When the mode selection collar is in the drill or hammerdrill positions, the drill will not clutch. The drill may stall if overloaded, causing a sudden twist.

Symbol	Mode
	Drilling
1-11	Screwdriving (higher number = greater torque)
	Hammerdrilling

Speed Selection (Fig. A)

The tool features three speed settings for greater versatility.

NOTE: Do not change speeds when the tool is running. Always allow the tool to come to a complete stop before changing speed.

- To select speed 1 (highest torque setting), turn the tool off and permit it to stop. Slide the speed selector ⑧ all the way forward.
- Speed 2 (middle torque and speed setting) is in the middle position.
- Speed 3 (highest speed setting) is to the rear.

If the tool does not change speeds, confirm that the speed selector is completely engaged in the forward or back position.

If trouble shifting gears persists, depress and release the trigger switch and try again.

OPERATION

WARNING: To reduce the risk of serious personal injury, turn unit off and remove the battery pack before making any adjustments or removing/installing attachments or accessories. An accidental start-up can cause injury.

Installing and Removing the Battery Pack (Fig. E)

WARNING: Ensure the tool/appliance is in the off position before inserting the battery pack.

NOTE: For best results, make sure your battery pack is fully charged.

1. To install the battery pack ① into the tool handle, align the battery pack with the rails inside the tool's handle and slide it into the handle until the battery pack is firmly seated in the tool and ensure that it does not disengage.
2. To remove the battery pack from the tool, press the battery pack release button ② and firmly pull the battery pack out of the tool handle. Insert it into the charger as described in the charger section of this manual.

Proper Hand Position (Fig. J)

WARNING: To reduce the risk of serious personal injury, ALWAYS use proper hand position as shown.

WARNING: To reduce the risk of serious personal injury, ALWAYS hold securely in anticipation of a sudden reaction.

Proper hand position requires one hand on the main handle ⑬, with the other hand on the side handle ⑭ to control the twisting action of the drill.

Variable Speed Trigger and Forward/Reverse Control Button (Fig. A)

The tool is turned on and off by pulling and releasing the variable speed trigger switch ③. The farther the trigger switch is depressed, the higher the speed of the tool. Your tool is equipped with a brake. The chuck will stop as soon as the trigger switch is fully released.

A forward/reverse control button ④ determines the rotational direction of the tool and also serves as a lock-off button.

- To select forward rotation (clockwise), release the trigger switch and depress the forward/reverse control button on the right side of the tool.
- To select reverse (counterclockwise), depress the forward/reverse control button on the left side of the tool.

NOTE: The center position of the control button locks the tool in the off position. When changing the position of the control button, be sure the trigger is released.

NOTE: Continuous use in variable speed range is not recommended. It may damage the switch and should be avoided.

NOTE: The first time the tool is run after changing the direction of rotation, you may hear a click on start-up. This is normal and does not indicate a problem.

Pivoting LED Worklight (Fig. G, L)

The pivoting LED worklight **9** capsule is physically adjustable via three detent positions. The pivoting LED worklight **9** and the worklight button **10** are located on the foot of the tool. The worklight is activated when the trigger is depressed. The Off **19**, On **20** and 20 minute modes **21** can be changed by pressing the worklight button **10** on the foot of the tool. If the trigger switch remains depressed, the worklight will remain on in On and 20 minute modes.

When in the On setting, the beam will automatically turn off 20 seconds after the trigger switch is released.

20 Minute Mode

The high setting is the 20 minute mode **21**. The worklight will run for 20 minutes after the trigger switch is released. Two minutes before the worklight will shut off, it will flash twice and then dim. To avoid the worklight shutting off, lightly tap the trigger switch.



WARNING: While using the worklight in On or 20 minute mode, do not stare at the light or place the drill in a position which may cause anyone to stare into the light. Serious eye injury could result.



CAUTION: When using the tool as a worklight, be sure it is secured on a stable surface where it will not cause a tripping or falling hazard.



CAUTION: Remove all accessories from the chuck before using the drill as a worklight. Personal injury or property damage could result.

Performing an Application (Fig. A)



WARNING: To reduce the risk of personal injury, ALWAYS ensure workpiece is anchored or clamped firmly.



WARNING: Always wait until the motor has come to a complete standstill before changing the direction of rotation.

Prior to Performing Work

- Set the speed selector **8**. Refer to **Speed Selection**.
- Install the appropriate bit or accessory into the chuck. Refer to **Installing a Bit or Accessory into a Keyless Chuck**.



- WARNING:**
- Do not use this tool to mix or pump easily combustible or explosive fluids (benzine, alcohol, etc.).
 - Do not mix or stir flammable liquids labeled accordingly.

Screwdriving

Your tool has a clutch with adjustable torque for driving and removing a wide array of fastener shapes and sizes. The numbers 1–11 on the mode selection collar **5** are used to set a torque range for screwdriving. The higher the number on the collar, the higher the torque and the larger the fastener which can be driven.

1. Turn the mode selection collar **5** to the desired position. Refer to **Mode Selection**.

2. Pull the trigger switch applying pressure in a straight line with the bit until the fastener is seated at the desired depth in the workpiece.

Recommendations for Screwdriving

- Start with lower torque settings, then advance to higher torque settings to avoid damage to the workpiece or fastener.
- Make some practice runs in scrap or on unseen areas of the workpiece to determine the proper position of the mode selection collar.

Drilling

1. Turn the mode selection collar **5** to the drill symbol. Refer to **Mode Selection**.

2. Place drill bit in contact with the workpiece.

NOTE: Use sharp drill bits only. For WOOD, use twist drill bits, spade bits, auger bits, self-feed bits, or hole saws. For METAL, use twist drill bits, step bits, carbide hole cutters or hole saws. Drill bits should be optimized for METAL cutting with appropriate coatings and cutting edges.

3. Pull the trigger switch applying pressure in a straight line with the bit until it reaches the desired depth.



WARNING: TO REDUCE THE RISK OF PERSONAL INJURY, ALWAYS ensure workpiece is anchored or clamped firmly. If drilling thin material, use a wood "back-up" block to prevent damage to the material.

4. Always apply pressure in a straight line with the bit. Use enough pressure to keep drill biting, but do not push hard enough to stall the motor or deflect the bit.
5. Hold tool firmly with both hands to control the twisting action of the drill.
6. IF DRILL STALLS, it is usually because it is being overloaded or improperly used. RELEASE TRIGGER IMMEDIATELY, remove drill bit from work, and determine cause of stalling. DO NOT CLICK TRIGGER ON AND OFF IN AN ATTEMPT TO START A STALLED DRILL — THIS CAN DAMAGE THE DRILL.
7. To minimize stalling or breaking through the material, reduce pressure on drill and ease the bit through the last fractional part of the hole.
8. Keep the motor running when pulling the bit back out of a drilled hole. This will help prevent jamming.

Drilling in Metal

Start drilling with slow speed and increase to full power while applying firm pressure on the tool. A smooth even flow of metal chips indicates the proper drilling rate. Use a cutting lubricant when drilling metals. The exceptions are cast iron and brass which should be drilled dry.

NOTE: Large holes (5/16" to 1/2" [7.9 mm to 13 mm]) in steel can be made easier if a pilot hole (5/32" to 3/16" [4 mm to 5 mm]) is drilled first.

NOTE: When using a cutting lubricant, be sure not to get the lubricant on the tool.

Drilling in Wood

Start drilling with slow speed and increase to full power while applying firm pressure on the tool. If nails are likely to be encountered, appropriate drill bits capable of

withstanding nail strikes should be used. Work that is apt to splinter should be backed up with a block of wood.

Hammerdrilling


IMPORTANT: Use carbide-tipped or masonry bits rated for percussion drilling only.

1. Select the desired speed/torque range using the speed selector **8** to match the speed and torque to the planned operation. Turn the mode selection collar **5** to the hammerdrill symbol.
2. Pull the trigger, applying just enough pressure on the hammer to keep it from bouncing excessively or "rising" off the bit.

Recommendations for Hammerdrilling


- Too much force will cause slower drilling speeds, overheating, and a lower drilling rate.
- A smooth even flow of material indicates the proper drilling rate.
- Drill straight, keeping the bit at a right angle to the work. Do not exert side pressure on the bit when drilling as this will cause clogging of the bit flutes and a slower drilling speed.
- When drilling deep holes, if the hammer speed starts to drop off, pull the bit partially out of the hole with tool still running to help clear debris from the hole.


MAINTENANCE

 **WARNING:** To reduce the risk of serious personal injury, turn unit off and remove the battery pack before making any adjustments or removing/installing attachments or accessories. An accidental start-up can cause injury.


Your DEWALT power tool has been designed to operate over a long period of time with a minimum of maintenance. Continuous satisfactory operation depends upon proper tool care and regular cleaning.

Cleaning

 **WARNING:** Blow dirt and dust out of all air vents with clean, dry air at least once a week. To minimize the risk of eye injury, always wear ANSI Z87.1 approved eye protection when performing this procedure.

 **WARNING:** Never use solvents or other harsh chemicals for cleaning the non-metallic parts of the tool. These chemicals may weaken the plastic materials used in these parts. Use a cloth dampened only with water and mild soap. Never let any liquid get inside the tool; never immerse any part of the tool into a liquid.

Accessories

 **WARNING:** Since accessories, other than those offered by DEWALT, have not been tested with this product, use of such accessories with this product could be hazardous. To reduce the risk of injury, only DEWALT recommended accessories should be used with this product.

Recommended accessories for use with your product are available at extra cost from your local dealer or authorized

service center. If you need assistance in locating any accessory, please contact DEWALT. Call **1-800-4-DEWALT (1-800-433-9258)** or visit our website: www.dewalt.com.

Maximum Recommended Capacities

DCD1007

WOOD

Auger	1–1/2"
Paddle	1–1/2"
Twist	1"
Self-feed	3–5/8"
Hole saw	5"

SHEET METAL

Twist	1/2"
Hole saw	4"
Step bit	#9 (1–1/8")


PLATE STEEL

Carbide tipped hole cutter	1"
----------------------------	----

MASONRY

Carbide percussion bit	1/2"
------------------------	------

Tool Connect™ Chip (Fig. K)

 **WARNING:** To reduce the risk of serious personal injury, turn unit off and remove the battery pack before making any adjustments or removing/installing attachments or accessories. An accidental start-up can cause injury.

Your tool is Tool Connect™ Chip ready and has a location for installation of a Tool Connect™ Chip.

Tool Connect™ Chip is an optional application for your smart device (such as a smart phone or tablet) that connects the device to utilize the mobile application for inventory management functions.


Refer to **Tool Connect™ Chip Instruction Sheet** for more information.

Installing the Tool Connect™ Chip

1. Remove the retaining screws **23** that hold the Tool Connect™ Chip protective cover **24** into the tool.
2. Remove the protective cover and insert the Tool Connect™ Chip into the empty pocket **25**.
3. Ensure that the Tool Connect™ Chip is flush with the housing. Secure it with the retaining screws and tighten the screws.
4. Refer to **Tool Connect™ Chip Instruction Sheet** for further instructions.

Belt Hook and Bit Clip (Fig. A)

Optional Accessories

 **WARNING:** To reduce the risk of serious personal injury, **ONLY** use the tool's belt hook to hang the tool from a work belt. **DO NOT** use the belt hook for tethering or securing the tool to a person or object during use. **DO NOT** suspend tool overhead or suspend objects from the belt hook.



WARNING: To reduce the risk of serious personal injury, ensure the screw holding the belt hook is secure.

IMPORTANT: When attaching or replacing the belt hook or bit clip, use only the screw **12** that is provided. Be sure to securely tighten the screw.

The belt hook **11** and bit clip **13** can be attached to either side of the tool using only the screw **12** provided, to accommodate left- or right-handed users. If the belt hook or bit clip is not desired at all, they can be removed from the tool.

To move the belt hook or bit clip, remove the screw that holds it in place then reassemble on the opposite side. Be sure to securely tighten the screw.

Repairs

The worklight is not serviceable. The light bulb cannot be replaced by the user.

The charger and batteries are not serviceable. There are no serviceable parts inside the charger or battery pack.



WARNING: To assure product SAFETY and RELIABILITY, repairs, maintenance and adjustment (including brush inspection and replacement, when applicable) should be performed by a factory service center or an authorized service center. Always use identical replacement parts.

Register Online

Thank you for your purchase. Register your product now for:

- **WARRANTY SERVICE:** Registering your product will help you obtain more efficient warranty service in case there is a problem with your product.
- **CONFIRMATION OF OWNERSHIP:** In case of an insurance loss, such as fire, flood or theft, your registration of ownership will serve as your proof of purchase.
- **FOR YOUR SAFETY:** Registering your product will allow us to contact you in the unlikely event a safety notification is required under the Federal Consumer Safety Act.

Register online at www.dewalt.com/account-login.


Three-Year Limited Warranty

For warranty terms, go to www.dewalt.com/support/warranty.

To request a written copy of the warranty terms, contact: Customer Service at DEWALT Industrial Tool Co., 701 East Joppa Road, Towson, MD 21286 or call **1-800-4-DEWALT (1-800-433-9258)**.

LATIN AMERICA: This warranty does not apply to products sold in Latin America. For products sold in Latin America, see country-specific warranty information contained in the packaging, call the local company or see website for warranty information.

FREE WARNING LABEL REPLACEMENT: If your warning labels become illegible or are missing, call **1-800-4-DEWALT (1-800-433-9258)** for a free replacement.

 **AVERTISSEMENT :** lisez tous les avertissements de sécurité et toutes les instructions. Ne pas suivre les avertissements et les instructions peut entraîner un choc électrique, un incendie et/ou des blessures graves.

 **AVERTISSEMENT :** pour réduire le risque de blessure, lisez le guide d'utilisation.

Utilisation prévue


Ces perceuses/visseuses/perceuses à percussion sont conçues pour des applications de perçage, de vissage et de perçage à percussion professionnelles.


NE PAS utiliser en conditions mouillées ou en présence de liquides ou de gaz inflammables.


NE PAS laisser les enfants entrer en contact avec l'outil. Une supervision est requise lorsque des utilisateurs inexpérimentés utilisent cet outil.

Définitions: symboles et mentions d'alerte de sécurité

Cette notice d'utilisation utilise les symboles et les mentions d'alerte de sécurité suivants afin de vous alerter sur les situations dangereuses et les risques de blessures ou de dégâts matériels.

 **DANGER:** indique une situation de risque imminent qui engendre, si elle n'est pas évitée, la mort ou de graves blessures.


 **AVERTISSEMENT:** indique une situation de risque potentiel qui pourrait engendrer, si elle n'est pas évitée, la mort ou de graves blessures.

 **ATTENTION:** indique une situation de risque potentiel qui peut engendrer, si elle n'est pas évitée, des blessures bénignes ou modérées.

 (Utilisé sans mention) Indique un message lié à la sécurité.

REMARQUE: indique une pratique n'entraînant aucun risque de blessures mais qui, si elle n'est pas évitée, peut entraîner des dommages matériels.

AVERTISSEMENTS GÉNÉRAUX SUR LA SÉCURITÉ DES OUTILS

 **AVERTISSEMENT :** lisez tous les avertissements de sécurité, toutes les instructions, les illustrations et les caractéristiques fournis avec cet outil électrique. Ne pas suivre toutes les instructions comprises aux présentes peut conduire à un choc électrique, un incendie et/ou des blessures graves.

CONSERVER TOUS LES AVERTISSEMENTS ET TOUTES LES DIRECTIVES POUR UN USAGE ULTÉRIEUR.

Le terme « outil électrique » cité dans les avertissements se rapporte à votre outil électrique à alimentation sur secteur (avec fil) ou par piles (sans fil).

1) Sécurité du lieu de travail

- Tenir l'aire de travail propre et bien éclairée.**
Les lieux encombrés ou sombres sont propices aux accidents.

- Ne pas faire fonctionner d'outils électriques dans un milieu déflamant, tel qu'en présence de liquides, de gaz ou de poussières inflammables.**
Les outils électriques produisent des étincelles qui pourraient enflammer la poussière ou les vapeurs.
- Éloigner les enfants et les personnes à proximité pendant l'utilisation d'un outil électrique.** Une distraction pourrait en faire perdre la maîtrise à l'utilisateur.

2) Sécurité en matière d'électricité

- Les fiches des outils électriques doivent correspondre à la prise. Ne jamais modifier la fiche d'aucune façon. Ne jamais utiliser de fiche d'adaptation avec un outil électrique mis à la terre.** Le risque de choc électrique sera réduit par l'utilisation de fiches non modifiées correspondant à la prise.
- Éviter tout contact physique avec des surfaces mises à la terre comme des tuyaux, des radiateurs, des cuisinières et des réfrigérateurs.** Le risque de choc électrique est plus élevé si votre corps est mis à la terre.
- Ne pas exposer les outils électriques à la pluie ou à l'humidité.** La pénétration de l'eau dans un outil électrique augmente le risque de choc électrique.
- Ne pas utiliser le cordon de façon abusive. Ne jamais utiliser le cordon pour transporter, tirer ou débrancher un outil électrique. Tenir le cordon éloigné de la chaleur, de l'huile, des bords tranchants et des pièces mobiles.** Les cordons endommagés ou enchevêtrés augmentent les risques de choc électrique.
- Pour l'utilisation d'un outil électrique à l'extérieur, se servir d'une rallonge convenant à cette application.** L'utilisation d'une rallonge conçue pour l'extérieur réduira les risques de choc électrique.
- S'il est impossible d'éviter l'utilisation d'un outil électrique dans un endroit humide, brancher l'outil dans une prise ou sur un circuit d'alimentation dotés d'un disjoncteur de fuite à la terre (GFCI).** L'utilisation de ce type de disjoncteur réduit les risques de choc électrique.

3) Sécurité personnelle

- Être vigilant, surveiller le travail effectué et faire preuve de jugement lorsqu'un outil électrique est utilisé. Ne pas utiliser d'outil électrique en cas de fatigue ou sous l'influence de drogues, d'alcool ou de médicaments.** Un simple moment d'inattention en utilisant un outil électrique peut entraîner des blessures corporelles graves.
- Utiliser des équipements de protection individuelle. Toujours porter une protection oculaire.** L'utilisation d'équipements de protection comme un masque antipoussière, des chaussures antidérapantes, un casque de sécurité ou des protecteurs auditifs lorsque la situation le requiert réduira les risques de blessures corporelles.

- c) **Empêcher les démarrages intempestifs. S'assurer que l'interrupteur se trouve à la position d'arrêt avant de relier l'outil à une source d'alimentation et/ou d'insérer un bloc-piles, de ramasser ou de transporter l'outil.** Transporter un outil électrique alors que le doigt repose sur l'interrupteur ou brancher un outil électrique dont l'interrupteur est à la position de marche risque de provoquer un accident.
- d) **Retirer toute clé de réglage ou clé avant de démarrer l'outil.** Une clé ou une clé de réglage attachée à une partie pivotante de l'outil électrique peut provoquer des blessures corporelles.
- e) **Ne pas trop tendre les bras. Conserver son équilibre en tout temps.** Cela permet de mieux maîtriser l'outil électrique dans les situations imprévues.
- f) **S'habiller de manière appropriée. Ne pas porter de vêtements amples ni de bijoux. Garder les cheveux, les vêtements et les gants à l'écart des pièces mobiles.** Les vêtements amples, les bijoux ou les cheveux longs risquent de rester coincés dans les pièces mobiles.
- g) **Si des composants sont fournis pour le raccordement de dispositifs de dépoussiérage et de ramassage, s'assurer que ceux-ci sont bien raccordés et utilisés.** L'utilisation d'un dispositif de dépoussiérage peut réduire les dangers engendrés par les poussières.
- h) **Ne pas laisser votre connaissance acquise suite l'utilisation fréquente des outils vous permettre de baisser la garde et ignorer les principes de sécurité de l'outil.** Un acte irréfléchi peut causer une blessure grave en une fraction de seconde.

4) Utilisation et entretien d'un outil électrique

- a) **Ne pas forcer un outil électrique. Utiliser l'outil électrique approprié à l'application.** L'outil électrique approprié effectuera un meilleur travail, de façon plus sûre et à la vitesse pour laquelle il a été conçu.
- b) **Ne pas utiliser un outil électrique dont l'interrupteur est défectueux.** Tout outil électrique dont l'interrupteur est défectueux est dangereux et doit être réparé.
- c) **Débranchez la fiche de la prise électrique et, si amovible, retirez le bloc-piles de l'outil avant d'effectuer tout ajustement, changement et entreposage de celui-ci.** Ces mesures préventives réduisent les risques de démarrage accidentel de l'outil électrique.
- d) **Ranger les outils électriques hors de la portée des enfants et ne permettre à aucune personne n'étant pas familière avec un outil électrique ou son mode d'emploi d'utiliser cet outil.** Les outils électriques deviennent dangereux entre les mains d'utilisateurs inexpérimentés.
- e) **Gardez les poignées et surfaces d'emprise propres et libres de tout produit lubrifiant. Vérifier si les pièces mobiles sont mal alignées ou coincées, si des pièces sont brisées ou présentent toute**

autre condition susceptible de nuire au bon fonctionnement de l'outil électrique. En cas de dommage, faire réparer l'outil électrique avant toute nouvelle utilisation. Beaucoup d'accidents sont causés par des outils électriques mal entretenus.

- f) **S'assurer que les outils de coupe sont aiguisés et propres.** Les outils de coupe bien entretenus et affûtés sont moins susceptibles de se coincer et sont plus faciles à maîtriser.
- g) **Utiliser l'outil électrique, les accessoires, les forets, etc. conformément aux présentes directives en tenant compte des conditions de travail et du travail à effectuer.** L'utilisation d'un outil électrique pour toute opération autre que celle pour laquelle il a été conçu est dangereuse.
- h) **Garder vos mains et les surfaces de prise sèches, propres et libres de graisse et de poussière.** Les mains et les surfaces de prise glissante ne permettent pas la manutention et le contrôle sécuritaires de l'outil dans les situations imprévues.

5) Utilisation et entretien du bloc-piles

- a) **Ne recharger l'outil qu'au moyen du chargeur précisé par le fabricant.** L'utilisation d'un chargeur qui convient à un type de bloc-piles risque de provoquer un incendie s'il est utilisé avec un autre type de bloc-piles.
- b) **Utiliser les outils électriques uniquement avec les bloc-piles conçus à cet effet.** L'utilisation de tout autre bloc-piles risque de causer des blessures ou un incendie.
- c) **Lorsque le bloc-piles n'est pas utilisé, le tenir éloigné des objets métalliques, notamment des trombones, de la monnaie, des clés, des clous, des vis ou autres petits objets métalliques qui peuvent établir une connexion entre les deux bornes.** Le court-circuit des bornes du bloc-piles risque de provoquer des brûlures ou un incendie.
- d) **En cas d'utilisation abusive, le liquide peut gicler hors du bloc-piles; éviter tout contact avec ce liquide. Si un contact accidentel se produit, laver à grande eau. Si le liquide entre en contact avec les yeux, obtenir également des soins médicaux.** Le liquide qui gicle hors du bloc-piles peut provoquer des irritations ou des brûlures.
- e) **Ne pas utiliser de bloc-piles ou outil qui a été endommagé ou modifié.** Les unités endommagées ou modifiées peuvent avoir une réaction imprévisible résultant en un incendie, une explosion ou un potentiel de blessure.
- f) **Ne pas exposer de bloc-piles ou l'outil aux flammes ou à des températures excessives.** L'exposition aux flammes ou à une température au-dessus de 130 °C (265 °F) pourrait causer une explosion.
- g) **Suivre toutes les instructions de recharge et ne recharger pas le bloc-piles ou l'outil à des températures hors de la plage de température indiquée dans les instructions.** Une recharge non

conforme ou à une température hors des limites spécifiées peut endommager les piles et augmenter le risque d'incendie.

6) Réparation

- Faire réparer l'outil électrique par un réparateur professionnel en n'utilisant que des pièces de rechange identiques.** Cela permettra de maintenir une utilisation sécuritaire de l'outil électriques.
- Ne jamais réparer des blocs-piles endommagés.** La réparation de blocs-piles doit seulement être effectuée par le fabricant ou les fournisseurs de service autorisés.

PERCEUSE/PERCEUSES À PERCUSSION CONSIGNES DE SÉCURITÉ

1) Consignes de sécurité pour toutes les opérations

- Veillez à porter des protections auditives pendant l'utilisation.** L'exposition au bruit peut engendrer une perte de l'ouïe.
- Utiliser la/les poignée(s) auxiliaire(s).** Une perte de contrôle de l'outil pourrait occasionner des dommages corporels.
- Bien caler l'outil avant utilisation.** Cet outil produit un couple de sortie élevé et sans caler correctement l'outil pendant le fonctionnement, une perte de contrôle peut se produire et entraîner des blessures.
- Tenez l'outil électrique par les surfaces de prise isolées lorsque vous effectuez une tâche où l'accessoire de coupe ou les fixations peut entrer en contact avec le câblage dissimulé.** L'accessoire de coupe ou les fixations entrant en contact avec un câble « sous tension » peuvent exposer les pièces métalliques de l'outil électrique « sous tension » et pourraient donner un choc électrique à l'utilisateur.

2) Consignes de sécurité lors de l'utilisation de longues mèches

- Ne jamais utiliser une vitesse plus élevée que la cote de vitesse maximale de la mèche.** À des vitesses plus élevées, la mèche risque de plier si on la laisse tourner librement sans entrer en contact la pièce de travail, entraînant une blessure corporelle.
- Démarrez toujours le perçage à la vitesse inférieure et avec la pointe de la mèche en contact avec la pièce de travail.** À des vitesses plus élevées, la mèche risque de plier si on la laisse tourner librement sans entrer en contact la pièce de travail, entraînant une blessure corporelle.
- Appliquez de la pression seulement en ligne directe avec la mèche et n'appliquez pas de pression excessive.** Les mèches peuvent plier causant un bris ou une perte de contrôle, entraînant une blessure corporelle.

Avertissements de sécurité supplémentaires pour les perceuses

- Ne pas utiliser cet outil durant de longues périodes.** La vibration causée par l'action du fonctionnement de cet outil peut causer des blessures permanentes aux doigts, aux mains et aux bras. Utilisez des gants pour offrir un coussin supplémentaire, prenez des pauses fréquentes et limitez la durée d'utilisation quotidienne.
- Les mèches des perceuses et les outils deviennent chauds durant l'utilisation.** Portez des gants lorsque vous les touchez.

Renseignements de sécurité supplémentaires



ATTENTION : ne jamais modifier l'outil électrique ou toute pièce celui-ci. Cela pourrait entraîner des dommages matériels ou des blessures corporelles.



ATTENTION : TOUJOURS utiliser des lunettes de sécurité. Les lunettes de tous les jours NE SONT PAS des lunettes de sécurité. De plus, utilisez un masque facial ou cache-poussière si l'opération de coupe est poussiéreuse. **PORTEZ TOUJOURS UN ÉQUIPEMENT DE SÉCURITÉ CERTIFIÉ :**

- Protection oculaire ANSI Z87.1 (CAN/CSA Z94.3),
- Protection auditive ANSI S12.6 (S3.19),
- Protection respiratoire NIOSH/OSHA/MSHA.



AVERTISSEMENT : certaines poussières créées par le ponçage mécanique, le sciage, l'aiguillage, le perçage et autres activités de construction contiennent des produits chimiques reconnus dans l'État de la Californie pour causer le cancer et des anomalies congénitales ou autres effets nuisibles sur la reproduction. Certains exemples de ces produits chimiques sont :

- le plomb provenant des peintures à base de plomb,
- la silice cristallisée provenant des briques, du ciment et d'autres produits de la maçonnerie ainsi que
- l'arsenic et le chrome provenant du bois de construction traité chimiquement.

Notre risque à ces expositions varie selon la fréquence dont vous effectuez ce type de travail. Pour réduire votre exposition à ces produits chimiques : travaillez dans un endroit bien aéré et travaillez avec un équipement de sécurité approuvé, comme les masques anti-poussière spécialement conçus pour filtrer les particules microscopiques.














- **Portez des vêtements protecteurs et lavez vos zones exposées avec du savon et de l'eau.** Permettre à la poussière d'entrer dans votre bouche, vos yeux ou la laisser sur la peau peut favoriser l'absorption des produits chimiques dangereux. Dirigez les particules loin du visage et du corps.
- **Utilisez le dépoussiéreur approprié pour enlever la grande majorité de la statique et de la poussière en suspension.** Ne pas enlever la statique et la poussière en suspension pourrait contaminer l'environnement de travail ou représenter un risque accru pour la santé de l'utilisateur et ceux qui sont à proximité.
- **Utilisez des serres de fixation ou un autre dispositif de fixation permettant de soutenir et de retenir la**

pièce sur une plate-forme stable. Tenir la pièce avec la main ou contre le corps rend la pièce instable et risque de provoquer une perte de maîtrise de l'outil.

- **Les événements couvrent souvent des pièces qui se déplacent et doivent être évités.** Des vêtements amples, les bijoux ou les cheveux longs peuvent se coincer dans des pièces qui déplacent.

ATTENTION : lorsque vous ne l'utilisez pas, placez l'outil sur le côté sur une surface stable là où cela n'entraînera pas un risque de trébuchement ou de chute. Certains outils avec de gros blocs-piles se tiendront debout sur le bloc-piles, mais ils peuvent facilement être renversés.

L'étiquette sur votre outil peut inclure les symboles suivants. Voici ces symboles et leur signification :

V	volts		Fabrication de classe II (double isolation)
Hz	hertz	n_0	vitesse à vide
min	minutes	n	vitesse nominale
 ou CC	courant continu	PSI	livres par pouce carré
	Fabrication de classe I (relié à la terre)		borne de terre
.../min	par minute		symbole d'alerte de sécurité
BPM	battements par minute		rayonnement visible – ne regardez pas la lumière
IPM	impacts par minute		portez une protection respiratoire
OPM	oscillations par minute		portez une protection oculaire
TR/MIN	tours par minute		portez des protections auditives
sfpm	pieds surface par minute		lisez toute la documentation
SPM	coups par minute		ne pas exposer à la pluie
A	ampères		
W	watts		
Wh	watts/heure		
Ah	ampères/heure		
 ou CA	courant alternatif		
 ou CA/CC	courant alternatif ou continu		

Piles et chargeurs

Le bloc-piles n'est pas entièrement chargé lorsqu'il sort de la boîte. Avant d'utiliser le bloc-piles et le chargeur, lisez attentivement les instructions de sécurité suivantes, puis suivez les procédures de chargement énoncées. Lorsque vous commandez des blocs-piles de remplacement, assurez-vous d'inclure le numéro du catalogue et la tension.

LISEZ TOUTES LES INSTRUCTIONS

CONSIGNES DE SÉCURITÉ IMPORTANTES POUR LES BLOCS-PILES

AVERTISSEMENT : lisez toutes les consignes de sécurité, les instructions et les symboles d'avertissements du bloc-piles, du chargeur et du produit. Ne pas suivre les avertissements et les

instructions peut entraîner un choc électrique, un incendie et/ou des blessures graves.

- **Ne pas charger ou utiliser le bloc-piles en atmosphères explosibles comme la présence de liquides inflammables, de gaz ou de poussière.** Insérer ou retirer la pile du bloc-piles peut enflammer la poussière ou les vapeurs.
- **Ne JAMAIS forcer le bloc-piles dans le chargeur. NE PAS modifier le bloc-piles de quelque façon que ce soit dans un chargeur non compatible puisque le bloc-piles peut se briser causant une blessure corporelle.** Consultez le tableau à la fin de ce guide pour la compatibilité des blocs-piles et des chargeurs.
- **Chargez les blocs-piles seulement dans les chargeurs DeWALT.**
- **NE PAS** éclabousser ou immerger dans l'eau ou tout autre liquide.
- **NE PAS** laisser l'eau ou tout liquide entre dans le bloc-piles.
- **Ne pas entreposer ou utiliser l'outil et le bloc-piles dans des endroits où la température peut atteindre ou excéder 40 °C (104 °F) (comme les remises extérieures ou les édifices en métal durant l'été).** Pour une meilleure durée de vie, entreposez le bloc-piles dans un endroit frais et sec.
- **REMARQUE** : ne pas ranger les blocs-piles dans un outil avec la gâchette verrouillée. Ne jamais coller la gâchette avec du ruban adhésif en position Marche.
- **Ne pas brûler le bloc-piles même s'il est gravement endommagé ou est entièrement usé.** Le bloc-piles peut exploser au cours d'un incendie. Des vapeurs et des matières toxiques sont produites lorsque les blocs-piles au lithium-ion sont brûlés.
- **Ne pas exposer de bloc-piles ou l'outil aux flammes ou à des températures excessives.** L'exposition aux flammes ou à une température au-dessus de 130 °C (265 °F) pourrait causer une explosion.
- **Suivez les instructions de recharge et ne chargez pas le bloc-piles ou l'appareil en hors de la plage de températures indiquée dans les instructions.** Charger de façon inappropriée ou hors de températures de la plage indiquée peut endommager la pile et augmenter le risque d'incendie.
- **Si le liquide des piles entre en contact avec la peau, lavez immédiatement avec de l'eau et du savon doux.** Si le liquide vient en contact avec les yeux, rincez à l'eau courante durant 15 minutes, ou jusqu'à ce que l'irritation cesse, en gardant les yeux ouverts. Pour information de consultation médicale, l'électrolyte des piles est composé d'un mélange organique liquide et de sels de lithium.
- **Le contenu des piles peut causer une irritation respiratoire.** Faites circuler de l'air frais. Si les symptômes persistent, consultez un médecin.
- **Le liquide des piles peut être inflammable s'il est exposé aux étincelles ou aux flammes.**
- **Ne jamais tenter d'ouvrir le bloc-piles pour quelque raison que ce soit. Si le boîtier du bloc-piles est fendu ou endommagé, ne pas l'insérer dans le chargeur. Ne pas écraser, échapper ou endommager le bloc-piles. Ne pas**

se servir d'un bloc-piles ou chargeur qui a subi un impact, a été échappé, renversé par un véhicule ou endommagé d'une façon ou d'une autre (par ex. perforé par un clou, frappé par un marteau, sur lequel on a marché). Les blocs-piles endommagés devraient être amenés/expédiés au centre de service pour recyclage.

Exemple d'étiquette de bloc-piles :

UTILISATION : 120 Wh Expédition : 3 x 40 Wh

Dans cet exemple, le bloc-piles est trois piles de 40 wattheures chacune lorsque vous utilisez le couvercle. Sinon, le bloc-piles est 120 wattheures.

Recommandations d'entreposage

Le meilleur lieu pour l'entreposage est un endroit frais et sec loin de la lumière directe du soleil et de la chaleur ou du froid excessif. Entreposez le bloc-piles entièrement chargé hors du chargeur.

Instructions de nettoyage du bloc-piles

La saleté et la graisse peuvent être retirées des surfaces extérieures du bloc-piles à l'aide d'un linge ou d'une brosse souple non métallique. Ne pas utiliser d'eau ou de solution nettoyante.

Blocs-piles du niveau de la jauge de carburant (Fig. B)

Certains blocs-piles incluent une jauge de carburant. Lorsque vous appuyez et maintenez, les voyants DEL indiqueront le niveau approximatif de charge restante. Cela n'indique pas la fonctionnalité de l'outil et peut varier selon les accessoires utilisés, la température et l'utilisation de l'utilisateur final.

Transport

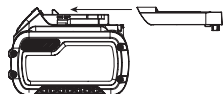


AVERTISSEMENT : danger d'incendie. Ne pas entreposer ou transporter le bloc-piles de manière à ce que des objets métalliques puissent entrer en contact avec les bornes des piles exposées. Par exemple, ne pas placer le bloc-piles dans des tabliers, des poches, des coffres à outils, des boîtes d'ensembles de produits, des tiroirs, etc. avec des clous, des vis, des clés, les pièces de monnaie, les outils à main, etc. Lorsque vous transportez des blocs-piles individuels, assurez-vous que leurs bornes sont protégées et bien isolées de tout matériel avec lequel elles pourraient entrer en contact et causer un court-circuit.

REMARQUE : les blocs-piles Li-Ion ne doivent pas être mises dans des bagages enregistrés sur les avions et doivent être bien protégées contre les courts-circuits si elles sont dans des bagages à main.

Expédier la bloc-pile FLEXVOLT® de DEWALT

Le bloc-piles FLEXVOLT® de DEWALT a un couvercle des piles qui doit être utilisé lorsque vous expédiez le bloc-piles.



Fixez le couvercle au bloc-piles afin qu'il soit prêt pour l'expédition. Cela convertit le bloc-piles en trois piles 20V séparés. Les trois piles ont un taux de wattheures sur le bloc-piles étiqueté « Expédition ». Si vous l'expédiez sans le capuchon ou dans un outil, le bloc est une pile au taux de wattheures étiquetée « Utiliser ».

Le sceau RBRC®

Veillez apporter vos blocs-piles usagés à un centre de service agréé DEWALT ou à votre détaillant local pour le recyclage. Dans certaines régions, il est illégal de mettre les blocs-piles usagés à la poubelle. Vous pouvez aussi contacter votre centre de recyclage local pour des informations sur les endroits où déposer le bloc-piles usagé. Ne pas mettre dans la collecte sélective. Pour de plus amples renseignements, visitez www.call2recycle.org ou appelez au numéro sans frais dans le sceau RBRC®. RBRC® est une marque de commerce déposée de Call 2 Recycle, Inc.



Consignes de sécurité importantes pour tous les chargeurs de piles



AVERTISSEMENT : lisez toutes les consignes de sécurité, les instructions et les symboles d'avertissements du bloc-piles, du chargeur et du produit. Ne pas suivre les avertissements et les instructions peut entraîner un choc électrique, un incendie et/ou des blessures graves.

- **NE PAS tenter de charger le bloc-piles avec un chargeur autre qu'un chargeur DEWALT.** Les chargeurs et les blocs-piles DEWALT sont spécifiquement conçus pour fonctionner ensemble.
- **Ces chargeurs ne sont pas destinés à d'autres utilisations que la charge des blocs-piles rechargeables DEWALT.** Les autres types de chargement de blocs-piles peuvent causer la surchauffe et l'éclatement de ceux-ci, entraînant une blessure corporelle, des dommages matériels, un choc électrique ou une électrocution.
- **Ne pas exposer le chargeur à la pluie ou la neige.**
- **Ne pas laisser l'eau ou tout liquide entrer dans le chargeur.**
- **Tirez la fiche au lieu du cordon lorsque vous débranchez le chargeur.** Cela réduira le risque d'endommager la fiche et le cordon électriques.
- **Assurez-vous de ne pas placer le cordon là où il pourrait faire trébucher les passants ou être endommagé de quelque façon que ce soit.**
- **Ne pas utiliser une rallonge à moins que ce ne soit absolument nécessaire.** L'utilisation d'une rallonge inadéquate pourrait entraîner un risque d'incendie ou une électrocution.
- **Lors de l'utilisation d'un chargeur à l'extérieur, gardez-le toujours au sec et utilisez une rallonge appropriée pour l'extérieur.** L'utilisation d'une rallonge appropriée pour l'extérieur réduit le risque de choc électrique.

- **Une rallonge doit avoir un calibre de fil (AWG ou calibre américain normalisé des fils) approprié pour la sécurité.** Plus le numéro de calibre du fil est petit, plus le cordon est lourd et par conséquent plus sa capacité est grande. Un cordon de taille inférieure entraînera une chute de tension de secteur ce qui causera une perte de puissance et une surchauffe. Le tableau suivant affiche la bonne taille à utiliser selon longueur totale des de toutes les rallonges branchées ensemble et l'intensité nominale de la plaque signalétique. En cas de doute, utilisez le calibre le plus lourd suivant.

Calibre minimum pour rallonges électriques

Volts		Longueur totale de la rallonge en pieds (mètres)			
120V		25 (7,6)	50 (15,2)	100 (30,5)	150 (45,7)
Courant nominal		AWG (American Wire Gauge ou calibre américain normalisé des fils)			
Plus de	Pas plus de				
0	6	18	16	16	14
6	10	18	16	14	12
10	12	16	16	14	12
12	16	14	12	Non recommandé	

- **Ne pas placer tout objet sur le dessus du chargeur ou placer le chargeur sur une surface molle qui pourrait bloquer les fentes de ventilation et entraîner une chaleur interne excessive.** Placez le chargeur loin de toute source de chaleur. Le chargeur est ventilé grâce aux fentes du dessus et du bas du boîtier.
- **Ne pas utiliser le chargeur avec un cordon endommagé.** Faites-les remplacer immédiatement.
- **Ne pas utiliser le chargeur s'il a reçu un choc violent, s'il a été échappé ou est autrement endommagé de quelque façon que ce soit.** Apportez-le dans un centre de services autorisé.
- **Ne pas démonter le chargeur; apportez-le dans un centre de services autorisé lorsqu'un entretien ou une réparation est nécessaire.** Un mauvais réassemblage peut entraîner un danger de choc électrique, une électrocution ou un incendie.
- **Le chargeur est conçu pour fonctionner sur une alimentation électrique domestique 120V. Ne pas essayer de l'utiliser sur toute autre tension.** Cette consigne ne concerne pas le chargeur pour véhicule.
- **Les matières étrangères conductrices telles, mais sans s'y limiter, les poussières de meulage, les copeaux métalliques, la laine d'acier, le papier d'aluminium ou toute accumulation de particules métalliques devraient être éloignées des ouvertures du chargeur et des fentes de ventilation.**
- **Débranchez toujours le chargeur de l'alimentation lorsqu'il n'y a aucun bloc-piles à l'intérieur.**

Charger une pile (Fig. A, C)

1. Branchez le chargeur dans une prise appropriée.
2. Insérez et appuyez complètement le bloc-piles ①. Le(s) voyant(s) de chargement rouge clignotera(ont) de façon continue durant le chargement.

3. Le chargement est terminé lorsque le(s) voyant(s) de chargement rouge demeure(nt) allumé(s) de façon continue. Le bloc-piles peut être laissé dans le chargeur ou retiré.



AVERTISSEMENT : chargez seulement le bloc-piles si la température de l'air est au-dessus de 4,5 °C (40 °F) et sous 40 °C (104 °F).

4. Le chargeur ne chargera pas un bloc-piles défectueux, ce qui peut être indiqué par le(s) voyant(s) de chargement qui reste(nt) éteint(s). Apportez le chargeur et le bloc-piles dans un centre de services autorisé si le(s) voyant(s) reste(nt) éteint(s).

REMARQUE : consultez l'étiquette près du (des) voyant(s) de chargement sur le chargeur pour les modèles de clignotement. Les vieux chargeurs peuvent avoir des renseignements supplémentaires et/ou peuvent ne pas avoir un voyant jaune.

REMARQUE : pour retirer le bloc-piles, on doit appuyer sur le bouton de libération du bloc-piles ② sur certains chargeurs.

Délai en cas de bloc chaud ou froid

Lorsque le chargeur détecte un bloc-piles qui est trop chaud ou trop froid, il démarre automatiquement le délai pour le bloc chaud/froid, suspendant la recharge jusqu'à ce que la température du bloc-piles ait atteint une température appropriée. Le chargeur passe alors automatiquement en mode de chargement du bloc-piles. Cette fonction assure une durée de vie maximale du bloc-piles.

Un bloc-piles froid peut se charger à une vitesse plus lente qu'un bloc-piles chaud.

Le délai en cas de bloc chaud ou froid sera indiqué par le(s) voyant(s) rouge continuant à clignoter, mais avec le voyant jaune allumé de façon continue. Lorsque le bloc-piles a atteint une température appropriée, le voyant jaune s'éteindra et le chargeur reprendra la procédure de chargement.

DCB118 et DCB1112 Chargers

Les chargeurs DCB118 et DCB1112 sont munis d'un ventilateur interne conçu pour refroidir le bloc-piles. Le ventilateur se mettra automatiquement en marche chaque fois que le bloc-piles aura besoin de se refroidir.

N'utilisez jamais le chargeur si le ventilateur ne fonctionne pas correctement ou si ses fentes d'aération sont bloquées. Protégez systématiquement l'intérieur du chargeur de tout objet étranger.

Système de protection électronique

Les outils Li-Ion sont conçus avec un système de protection électronique qui protégera le bloc-piles contre une surcharge, une surchauffe et une importante décharge. L'outil s'éteint automatiquement et le bloc-piles doit être rechargé.

Remarques importantes sur la charge

1. Pour augmenter la durée de vie du bloc-piles et optimiser son rendement, le recharger à une température ambiante de 18 °C à 24 °C (65 °F à 75 °F). NE PAS charger lorsque le bloc-piles est en dessous

de 4,5 °C (40 °F) ou au-dessus de 40 °C (104 °F). C'est important pour prévenir tout dommage sérieux au bloc-piles.

- Le chargeur et le bloc-piles peuvent devenir chauds au toucher durant le chargement. C'est un état normal et cela n'indique pas un problème. Pour faciliter le refroidissement du bloc-piles après l'utilisation, évitez de placer le chargeur ou le bloc-piles dans un environnement chaud comme une remise en métal ou une remorque non isolée.
- Si le bloc-piles ne charge pas de adéquatement :
 - Vérifiez le fonctionnement de la prise en branchant une lampe ou un autre appareil;
 - Vérifiez si la prise d'alimentation est connectée à un interrupteur de lumière qui s'éteint lorsque vous éteignez les lumières;
 - Si les problèmes de chargement persistent, apportez l'outil, le bloc-piles et le chargeur dans votre centre de services local.
- Vous pouvez charger un bloc partiellement utilisé au moment désiré sans effet indésirable sur le bloc-piles.

Instructions de nettoyage du chargeur

AVERTISSEMENT : danger de choc électrique. Débranchez le chargeur de la prise CA avant de nettoyer. La saleté et la graisse peuvent être retirées des surfaces extérieures du chargeur à l'aide d'un linge ou d'une brosse souple non métallique. Ne pas utiliser d'eau ou de solution nettoyante.

Montage mural

Certains chargeurs DEWALT sont conçus pour pouvoir être installés au mur ou être placés verticalement sur une table ou une surface de travail. Pour la fixation au mur, placez le chargeur près d'une prise de courant et loin d'un coin ou d'autres obstructions qui peuvent nuire à la circulation de l'air. Utilisez la base du chargeur comme modèle pour l'emplacement des vis de montage sur le mur. Fixez solidement le chargeur à l'aide de vis pour cloison sèche (achetées séparément) d'au moins 25,4 mm (1 po) de longueur avec tête de diamètre de 7 mm à 9 mm (0,28 à 0,35 po) vissées dans du bois à une profondeur optimale en laissant exposée une partie de vis d'environ 5,5 mm (7/32 po). Alignez les fentes au dos du chargeur avec les vis exposées et insérez-les entièrement dans les fentes.

CONSERVER TOUS LES AVERTISSEMENTS POUR UN USAGE ULTÉRIEUR.

ASSEMBLAGE ET AJUSTEMENTS

AVERTISSEMENT : afin de réduire le risque de blessure corporelle grave, éteignez l'outil et retirez le bloc-piles avant d'effectuer tout ajustement ou de retirer/installer des pièces ou des accessoires, lorsque vous remplacez ou avant de nettoyer. Un démarrage accidentel peut causer des blessures.

Couple (Fig. H, I)

AVERTISSEMENT : C'est une perceuse à couple élevé. Afin de réduire le risque de blessure corporelle grave, tenez toujours l'outil solidement avec les deux mains dans la position appropriée pour l'utilisation comme illustré.

AVERTISSEMENT : N'appuyez JAMAIS l'outil contre le bloc-piles.

- Le couple est le mouvement de torsion produit par la perceuse lorsque la mèche est en rotation. Lorsque la mèche de la perceuse se heurte à une résistance dans le matériau étant percé, le moteur répond en ajustant le couple de sortie afin de répondre aux exigences de la capacité maximum du moteur et du système d'engrenage.
- La mèche tourne dans le sens des aiguilles d'une montre lorsque l'outil est en position de marche avant et dans le sens contraire des aiguilles d'une montre lorsque l'outil est en position de marche arrière.
- Le couple de réaction de l'outil est dans la direction opposée.

Système ANTI-ROTATION (Fig. L)

Votre outil est équipé du système ANTI-ROTATION DEWALT. Cette fonction détecte le mouvement de l'outil et éteint l'outil au besoin. Le voyant à DEL rouge **22** s'allume lorsque le système ANTI-ROTATION est enclenché.

VOYANT	DIAGNOSTIC	SOLUTION
ÉTEINT	L'outil fonctionne normalement	Suivez tous les avertissements et toutes les instructions lorsque vous utilisez l'outil.
ROUGE FIXE	Le système ANTI-ROTATION a été activé (ENCLENCHE)	Avec l'outil bien soutenu, relâchez la gâchette. L'outil fonctionnera normalement lorsque vous appuyez à nouveau sur la gâchette et que le voyant s'éteint

Poignée latérale (Fig. F1–F4)

AVERTISSEMENT : afin de réduire le risque de blessure corporelle, utilisez **TOUJOURS** l'outil avec la poignée latérale bien installée et serrée. Ne pas le faire peut entraîner le glissement de la poignée latérale durant le fonctionnement de l'outil et une perte de contrôle subséquente. Tenez l'outil avec les deux mains pour maximiser le contrôle.

La poignée latérale **14** se fixe sur le devant du boîtier d'engrenages et peut être installée dans de multiples positions pour utilisation droitier ou gaucher. Une fois la poignée latérale tournée en place, elle doit être poussée vers l'arrière jusqu'à ce que les fentes **16** sur le bord de la poignée latérale soient alignées et entièrement engagées avec les languettes en saillie **17** sur le dessus et le dessous du boîtier d'engrenages. La poignée latérale est alors fixée de façon sécuritaire en tournant le manche **18** dans le sens des aiguilles d'une montre jusqu'à le serrer. Veillez à saisir la poignée latérale par l'extrémité éloignée du manche pour contrôler l'outil s'il cale.

IMPORTANT : les Figures F3 et F4 illustrent l'installation correcte et incorrecte de la poignée latérale.

Installer une mèche ou un accessoire dans un mandrin (Fig. D)



AVERTISSEMENT : ne pas tenter de serrer les mèches (ou tout autre accessoire) en saisissant la partie avant du mandrin et en mettant l'outil en marche. Cela pourrait entraîner des dommages au mandrin ou des blessures corporelles. Verrouillez toujours la gâchette et débranchez l'outil de la source d'alimentation lorsque vous changez des accessoires.



AVERTISSEMENT : assurez-vous toujours que la mèche est bien serrée avant de démarrer l'outil. Une mèche desserrée peut s'éjecter de l'outil causant une possible blessure corporelle.



AVERTISSEMENT : le mandrin sans clé est déverrouillé après le premier clic dans le sens inverse des aiguilles d'une montre avec le manchon du mandrin. L'utilisation d'un mandrin déverrouillé peut entraîner une ouverture involontaire du mandrin sans clé.

Pour insérer une mèche ou un autre accessoire, suivez ces étapes.

1. Éteignez l'outil et retirez le bloc-piles.
2. Saisissez la douille arrière du mandrin avec une main et utilisez l'autre main pour sécuriser l'outil. Tournez la douille dans le sens contraire des aiguilles d'une montre assez loin pour accueillir l'accessoire désiré.
3. Insérez l'accessoire d'environ 19 mm (3/4 po) dans le mandrin 6 et serrez fermement en saisissant et en tournant la douille du mandrin 7 dans le sens des aiguilles d'une montre avec une main en tenant l'outil avec l'autre. Lorsque le mandrin est presque serré, vous entendrez un son de clic. Continuez à serrer autant que possible. Votre outil est muni d'un mécanisme de verrouillage de la tige automatique. Cela vous permet d'ouvrir et de fermer le mandrin avec une main.
4. Assurez-vous de visser le mandrin avec une main sur le manchon du mandrin et une main tenant l'outil pour un serrement maximum. Lors du serrage, ne tournez pas dans le sens inverse des aiguilles d'une montre.
5. Pour libérer l'accessoire, répétez les étapes 1 et 2 ci-dessus.

Sélection du mode (Fig. A)

Le collier de sélection du mode 5 peut être utilisé pour sélectionner le bon mode de fonctionnement selon l'application prévue.

Pour sélectionner, tournez le collier jusqu'à ce que le symbole désiré s'aligne avec la flèche.



AVERTISSEMENT : lorsque Le collier de sélection du mode est en position de perçage ou de perçage à percussion, la perceuse n'embrayera pas. La perceuse peut bloquer si elle est surchargée, causant une torsion soudaine.

Symbol	Mode
	Perçage
1-11	Vissage (numéro élevé = couple plus grand)
	Perçage à percussion

Sélection de la vitesse (Fig. A)

L'outil a trois réglages de vitesses pour une plus grande polyvalence.

REMARQUE : ne pas changer les vitesses lorsque l'outil fonctionne. Laissez toujours l'outil s'arrêter complètement avant de changer de vitesse.

- Pour sélectionner la vitesse 1 (réglage de couple élevé), éteignez l'outil et laissez-le s'arrêter. Glissez le sélecteur de vitesse 8 complètement vers l'avant.
- La vitesse 2 (réglage de vitesse et de couple moyen) est à la position du milieu.
- La vitesse 3 (réglage de vitesse élevée) est à l'arrière.

Si l'outil ne change pas de vitesses, assurez-vous que le sélecteur de vitesses est entièrement engagé en position avant ou arrière.

Si le problème de changement de vitesse persiste, appuyez et relâchez une fois la gâchette, puis réessayez.

FONCTIONNEMENT



AVERTISSEMENT : afin de réduire le risque de blessure corporelle grave, éteignez l'outil et retirez le bloc-piles avant de transporter, d'effectuer tout ajustement, de nettoyer, de réparer ou de retirer/installer des pièces ou des accessoires. Un démarrage accidentel peut causer des blessures.

Installation et retrait du bloc-piles (Fig. E)



AVERTISSEMENT : assurez-vous que l'outil/appareil est en position d'arrêt avant d'insérer la batterie.

REMARQUE : pour une meilleure performance, assurez-vous que le bloc-piles est complètement chargé.

1. Pour installer le bloc-piles 1 dans l'outil, alignez le bloc-piles avec les glissières à l'intérieur de la poignée de l'outil et glissez-le dans la poignée jusqu'à ce que le bloc-piles soit bien placé dans l'outil et assurez-vous qu'il est enclenché.
2. Pour retirer le bloc-piles de l'outil, appuyez sur le bouton de libération 2 et tirez-le fermement hors de la poignée de l'outil. Insérez-le dans le chargeur comme indiqué dans la section du chargeur du présent manuel.

Position correcte des mains (Fig. J)



AVERTISSEMENT : pour réduire tout risque de dommages corporels graves, adopter **SYSTÉMATIQUEMENT** la position des mains illustrée.



AVERTISSEMENT : pour réduire tout risque de dommages corporels graves, maintenir **SYSTÉMATIQUEMENT** l'outil fermement pour anticiper toute réaction soudaine.

La position correcte des mains requiert une main sur la poignée principale **15**, et l'autre sur la poignée latérale **14** pour contrôler le mouvement de torsion de la perceuse.

Gâchette de vitesse variable et bouton de commande Avancer/Reculer (Fig. A)

L'outil est mis en marche ou éteint en appuyant et en relâchant la gâchette de vitesse variable **3**. Plus vous appuyez sur la gâchette, plus la vitesse de la perceuse sera élevée. Votre outil est muni d'un frein. Le mandrin s'arrêtera lorsque vous aurez relâché complètement la gâchette.

Un bouton de commande Avancer/Reculer **4** détermine le sens de rotation de l'outil et sert aussi de bouton de verrouillage.

- Pour sélectionner la rotation vers l'avant (sens des aiguilles d'une montre), relâchez la gâchette et appuyez sur le bouton de commande Avancer/Reculer à droite de l'outil.
- Pour sélectionner la rotation vers l'arrière (sens contraire des aiguilles d'une montre), appuyez sur le bouton de commande Avancer/Reculer à gauche de l'outil.

REMARQUE : la position centrale du bouton de commande verrouille l'outil en position éteint. Lorsque vous changez la position du bouton de commande, assurez de relâcher la gâchette.

REMARQUE : une utilisation continue à une gamme de vitesses variable n'est pas recommandée. Cela peut endommager la gâchette et doit être évité.

REMARQUE : la première fois que l'outil fonction après un changement de sens de rotation, vous pourriez entendre un clic lors du démarrage. C'est normal et cela n'indique pas un problème.


Lampe de travail à DEL pivotante (Fig. G, L)

La lampe de travail à DEL pivotante **9** est réglable physiquement par trois crans. La lampe de travail à DEL pivotante **9** et son bouton **10** sont situés sur le pied de l'outil. La lampe de travail est activée lorsque vous appuyez sur la gâchette. Les modes Arrêt **19**, Marche **20** et 20 minutes **21** peuvent être modifiés en appuyant sur le bouton de la lampe de travail **10** sur le pied de l'outil. Si la gâchette demeure enfoncée, la lampe de travail reste allumée dans les modes Marche et 20 minutes.

En mode Marche, le faisceau s'éteindra automatiquement 20 secondes après que vous ayez relâché la gâchette.

Mode 20 minutes

Le réglage le plus élevé est le mode 20 minutes **21**. La lampe de travail fonctionnera pendant 20 minutes après que vous ayez appuyé sur le commutateur. Deux minutes avant que la lampe de travail s'éteigne, elle clignotera deux fois, puis s'affaiblira. Pour éviter que la lampe de travail s'éteigne, touchez légèrement le commutateur.

 **AVERTISSEMENT :** lorsque vous utilisez le mode Marche ou 20 minutes, ne pas fixer la lumière ou placer la perceuse dans une position qui pourrait

entraîner quelqu'un à fixer la lumière. Cela peut causer une grave blessure oculaire.



ATTENTION : lorsque vous utilisez l'outil comme lampe de travail, assurez-vous qu'il soit sécurisé sur une surface stable qui n'entraînera pas de risque de trébucher ou de tomber.



ATTENTION : retirez tous les accessoires du mandrin avant d'utiliser la perceuse comme lampe de travail. Cela pourrait causer une blessure corporelle ou des dommages matériels.

Exécuter une application (Fig. A)



AVERTISSEMENT : afin de réduire le risque de blessure corporelle, assurez-vous TOUJOURS que la pièce de travail est solidement fixée ou serrée.



AVERTISSEMENT : attendez toujours jusqu'à ce que le moteur s'arrête complètement avant de changer le sens de la rotation.

Avant d'effectuer un travail

- Réglez le sélecteur de vitesses **8**. Consultez la section **Sélection de vitesse**.
- Installez la mèche ou l'accessoire approprié dans le mandrin. Consultez **Installer une mèche ou un accessoire dans le mandrin sans clé**.



AVERTISSEMENT :

- Ne pas utiliser cet outil pour mélanger ou pomper des liquides facilement combustibles ou explosifs (benzène, alcool, etc.).
- Ne pas mélanger des liquides inflammables portant une étiquette en conséquence.

Vissage

Votre outil a un embraye à couple ajustable pour enfoncer et retirer une vaste gamme de formes et de tailles de fixations. Les numéros 1–11 sur la bague de sélection du mode **5** sont utilisés pour régler une plage de couple pour le vissage. Plus le numéro du collier est élevé, plus le couple sera élevé et plus la fixation pouvant être enfoncée sera grande.

1. Tournez le collier de sélection du mode **5** à la position désirée. Consultez **Sélection du mode**.
2. Appuyez sur la gâchette en appliquant de la pression en ligne droite avec la mèche jusqu'à ce que la fixation soit placée à la profondeur désirée dans la pièce de travail.

Recommandations pour le vissage

- Commencez par des réglages de couples moins élevés, puis avancez vers les réglages de couples plus élevés afin d'éviter d'endommager la pièce de travail ou la fixation.
- Effectuez des essais dans des zones à éliminer ou non visibles de la pièce de travail pour déterminer la bonne position du collier de sélection du mode.

Perçage

1. Tournez le collier de sélection du mode **5** vers le symbole de la perceuse. Consultez **Sélection du mode**.
2. Mettez la mèche en contact avec la pièce de travail.

REMARQUE : utilisez seulement des mèches affûtées. Pour le BOIS, utilisez des mèches hélicoïdales, des mèches à trois pointes, des mèches de tarière, des

mèches à auto-avance ou des scies à trous. Pour le MÉTAL, utilisez des mèches hélicoïdales, pas à pas, des emporte-pièce en carbure ou des scies à cloche. Les mèches doivent être optimisées pour couper le MÉTAL et dotées des revêtements et bords de coupe appropriés.

- Appuyez sur la gâchette en appliquant la pression en ligne droite par rapport à la mèche jusqu'à ce qu'elle atteigne la profondeur désirée.



AVERTISSEMENT : AFIN DE RÉDUIRE LE RISQUE DE BLESSURES CORPORELLES, ASSUREZ-VOUS TOUJOURS que la pièce à travailler est fixée ou serrée solidement. Si vous percez dans un matériau mince, utilisez un bloc « d'appoint » en bois afin d'éviter d'endommager le matériau.

- Appliquez toujours de la pression en ligne droite avec la mèche. Utilisez suffisamment de pression pour maintenir le perçage avec la mèche, mais ne poussez pas trop pour ne pas étouffer le moteur ou dévier la mèche.
- Tenez l'outil fermement avec les deux mains pour contrôler le mouvement de torsion de la perceuse.
- SI LA PERCEUSE BLOQUE, c'est généralement parce qu'elle est surchargée ou utilisée de façon inappropriée. RELÂCHEZ IMMÉDIATEMENT LA GÂCHETTE, retirez la mèche du travail et déterminez la cause du blocage. NE PAS APPUYER NI RELÂCHER LA GÂCHETTE DANS LE BUT DE DÉMARRER UNE PERCEUSE BLOQUÉE : CELA PEUT ENDOMMAGER LA PERCEUSE.
- Pour minimiser le blocage ou le bris du matériau, réduisez la pression sur la perceuse et facilitez le passage de la mèche dans la dernière partie du trou.
- Gardez le moteur en marche lorsque vous sortez la mèche du trou percé. Cela aidera à prévenir le blocage.

Percer dans le métal

Commencez le perçage avec une vitesse lente et augmentez à pleine puissance pendant que vous appliquez une pression ferme sur l'outil. Un flot régulier des copeaux métalliques indique une vitesse de perçage appropriée. Utilisez un lubrifiant de coupe lorsque vous percez des métaux. Les exceptions sont la fonte et le laiton qui doivent être percés à sec.

REMARQUE : les gros trous (7,9 mm à 13 mm [5/16 po à 1/2 po]) dans l'acier peuvent être faits plus facilement si un trou de départ (4 mm à 5 mm [5/32 po à 3/16 po]) d'abord percé.

REMARQUE : lorsque vous utilisez un lubrifiant de coupe, assurez-vous de ne pas mettre le lubrifiant sur l'outil.

Percer dans le bois

Commencez le perçage avec une vitesse lente et augmentez à pleine puissance pendant que vous appliquez une pression ferme sur l'outil. S'il existe un risque de rencontrer des clous, des mèches adaptées capables de supporter les heurts avec les clous doivent être utilisées. Le travail qui a tendance à se fendre doit être soutenu avec un bloc de bois.

Perçage à percussion

IMPORTANT : utilisez seulement des mèches de maçonnerie ou à pointe en carbure classées pour le perçage à percussion.

- Sélectionnez la plage de vitesse/couple désirée à l'aide du sélecteur de vitesses **8** pour faire correspondre la vitesse et le couple à l'utilisation prévue. Tournez le collier de sélection du mode **5** vers le symbole de perçage à percussion.
- Appuyez sur la gâchette en appliquant juste assez de pression sur la perceuse pour l'empêcher de rebondir de façon excessive ou d'élever la mèche.

Recommandations pour le perçage à percussion

- Trop de force causera des vitesses de perçage plus lentes, de la surchauffe et un niveau de perçage inférieur.
- Un flot de matériau régulier indique une vitesse de perçage appropriée.
- Percez directement en gardant la mèche à angle droit par rapport au travail. Ne pas exercer de pression sur les côtés de la mèche lorsque vous percez puisque cela peut causer une obstruction des cannelures de la mèche et une vitesse de perçage plus lente.
- Lorsque vous percez des trous profonds, si la vitesse du marteau diminue, tirez la mèche partiellement hors du trou avec l'outil encore en marche pour aider à enlever les débris du trou.

ENTRETIEN



AVERTISSEMENT : afin de réduire le risque des blessures corporelles graves, arrêtez l'appareil et, retirez le blocs-piles avant d'effectuer tout réglage ou de retirer/installer des pièces ou des accessoires. Un démarrage accidentel peut causer des blessures.

Votre chariot DEWALT a été conçu pour fonctionner sur une longue période avec un minimum d'entretien. Un fonctionnement satisfaisant continu dépend de l'entretien approprié et d'un nettoyage régulier de l'outil.

Nettoyage



AVERTISSEMENT : enlever les saletés et la poussière hors des événements au moyen d'air comprimé propre et sec, au moins une fois par semaine. Pour minimiser le risque de blessure aux yeux, toujours porter une protection oculaire conforme à la norme ANSI Z87.1 lors du nettoyage.



AVERTISSEMENT : ne jamais utiliser de solvants ni d'autres produits chimiques puissants pour nettoyer les pièces non métalliques de l'outil. Ces produits chimiques peuvent affaiblir les matériaux de plastique utilisés dans ces pièces. Utilisez un chiffon humecté uniquement d'eau et de savon doux. Ne jamais laisser de liquide pénétrer dans l'outil et n'immerger aucune partie de l'outil dans un liquide.

Accessoires



AVERTISSEMENT : les accessoires autres que DEWALT n'ayant pas été testés avec ce produit, leur utilisation avec cet outil peut s'avérer dangereuse. Pour réduire le risque de blessure, seuls les accessoires recommandés par DEWALT doivent être utilisés avec ce produit.

Les accessoires recommandés pour utilisation avec cet outil sont disponibles à un coût supplémentaire chez votre

détaillant local ou dans un centre de services autorisé. Si vous avez besoin d'aide pour localiser un accessoire, contactez DEWALT. Appelez au 1-800-4-DEWALT (1-800-433-9258) ou consultez notre site web : www.dewalt.com.

Capacités maximales recommandées

DCD1007

BOIS

Tarière	1-1/2 po
Palette	1-1/2 po
Hélicoïdale	1 po
Auto-avance	3-5/8 po
Scie cloche	5 po

TÔLE

Hélicoïdale	1/2 po
Scie cloche	4 po
Mèche pas à pas	# 9 (1-1/8 po)

ACIER EN PLAQUE

Emporte-pièce à pointe en carbure	1 po
-----------------------------------	------

MAÇONNERIE

Foret à percussion en carbure	1/2 po
-------------------------------	--------

Puce Tool Connect™ (Fig. K)

AVERTISSEMENT : afin de réduire le risque de blessure corporelle, éteignez l'appareil et retirez le bloc-piles avant d'effectuer tout ajustement ou de retirer/installer des pièces ou des accessoires. Un déclenchement accidentel du démarrage peut causer des blessures.

Votre outil est compatible à la puce Tool Connect™ et il a un emplacement pour l'installation de la puce Tool Connect™.

Cette puce Tool Connect™ est une application optionnelle pour votre appareil intelligent (comme un téléphone intelligent ou une tablette) qui connecte l'appareil afin d'utiliser l'application mobile pour des fonctions de gestion de l'inventaire.

Consultez la *Feuille d'instructions de la puce Tool Connect™* pour plus de renseignements.

Installer la puce Tool Connect™

1. Retirez la vis de retenue **23** qui maintient le couvercle de protection de la puce Tool Connect™ **24** dans l'outil.
2. Retirez le couvercle de protection et insérez la puce Tool Connect™ dans la poche vide **25**.
3. Assurez-vous que la puce Tool Connect™ est égale au boîtier. Fixez-la avec les vis de retenue et serrez les vis.
4. Consultez la *Feuille d'instructions de la puce Tool Connect™* pour des instructions supplémentaires.

Crochet de ceinture et range mèche (Fig. A)

Accessoire en option

AVERTISSEMENT : pour réduire tout risque de dommages corporels graves, suspendre le crochet

de ceinture de l'outil UNIQUEMENT à une ceinture porte-outils. Pendant l'utilisation, NE PAS utiliser le crochet de ceinture pour arrimer l'outil à une personne ou à un objet. NE PAS suspendre l'outil au-dessus de la tête, ou suspendre des objets au crochet de ceinture.



AVERTISSEMENT : pour réduire tout risque de dommages corporels graves, s'assurer que la vis maintenant le crochet de ceinture est bien resserrée.

IMPORTANT : pour rattacher ou remplacer le crochet de ceinture ou le range mèche, utiliser systématiquement la vis **12** fournie à cet effet. S'assurer de resserrer fermement la vis.

Le crochet de ceinture **11** et le range mèche **13** peuvent être rattachés de l'un ou l'autre côté de l'outil à l'aide seulement de la vis **12** fournie, pour accommoder un gaucher ou un droitier. Si vous ne désirez pas utiliser le crochet ou le range mèche, ils peuvent être complètement retirés de l'outil.

Pour déplacer le crochet de ceinture ou le range mèche, retirez la vis les maintenant en place puis réassemblez-les sur le côté opposé. Assurez-vous de resserrer fermement la vis.

Réparations

La lampe n'est pas réparable. L'ampoule ne peut pas être remplacée par l'utilisateur.

Le chargeur et le bloc-piles ne sont pas réparables. Le chargeur ou le bloc-piles ne comportent aucune pièce réparable.



AVERTISSEMENT : pour assurer la SÉCURITÉ et la FIABILITÉ du produit, les réparations, l'entretien et les réglages doivent être réalisés (cela comprend l'inspection et le remplacement du balai, le cas échéant) par un centre de réparation en usine DEWALT ou un centre de réparation agréé DEWALT. Toujours utiliser des pièces de rechange identiques.

Enregistrez-vous en ligne

Nous vous remercions de votre achat. Enregistrez votre produit maintenant pour :

- **SERVICE DE GARANTIE :** l'enregistrement de votre produit en ligne vous aide à obtenir un service de garantie efficace au cas où vous auriez un problème avec votre produit.
- **CONFIRMATION DE PROPRIÉTÉ :** en cas de pertes liées aux assurances telles qu'un incendie, une inondation ou un vol, votre enregistrement de propriété servira de preuve de votre achat.
- **POUR VOTRE SÉCURITÉ :** l'enregistrement de votre produit nous permet de vous contacter dans le cas peu probable d'une notification de sécurité requise selon le Federal Consumer Safety Act.

Inscrivez-vous en ligne sur www.dewalt.com/account-login.

Garantie limitée de trois ans

Pour les conditions de la garantie, consultez le site

www.dewalt.com/support/warranty.

Pour demander une copie écrite des conditions de la garantie, contactez : service à la clientèle chez DEWALT Industrial Tool Co., 701 East Joppa Road, Towson, MD 21286 ou appelez le **1-800-4-DeWALT (1-800-433-9258)**.

AMÉRIQUE LATINE : la présente garantie ne s'applique pas aux produits vendus en Amérique Latine. Pour les produits vendus en Amérique Latine, consultez les renseignements sur la garantie particulière au pays comprise dans l'emballage, appelez l'entreprise locale ou consultez le site Web pour les renseignements complets sur la garantie.

REPLACEMENT DES ÉTIQUETTES D'AVERTISSEMENT

GRATUIT : si vos étiquettes d'avertissement deviennent illisibles ou sont manquantes, appelez au **1-800-4-DeWALT (1-800-433-9258)** pour un remplacement gratuit.



ADVERTENCIA: Lea todas las advertencias de seguridad e instrucciones. El incumplimiento de las advertencias e instrucciones puede provocar descargas eléctricas, incendios o lesiones graves.



ADVERTENCIA: Para reducir el riesgo de lesiones, lea el manual de instrucciones.

Uso Pretendido

Estos taladros/destornilladores/rotomartillos están diseñados para aplicaciones profesionales de perforación, atornillado y martillado.

NO use bajo condiciones húmedas o en presencia de líquidos o gases inflamables.

NO permita que niños estén en contacto con la herramienta. Se requiere supervisión cuando operadores sin experiencia operen esta herramienta.

Definiciones: Símbolos y Palabras de

Alerta de Seguridad

Las siguientes definiciones describen el nivel de gravedad de cada palabra de advertencia. Lea el manual de la herramienta eléctrica y preste atención a estos símbolos.



PELIGRO: Indica una situación de peligro inminente que, si no se evita, **provocará la muerte o lesiones graves.**



ADVERTENCIA: Indica una situación de peligro potencial que, si no se evita, **podría provocar la muerte o lesiones graves.**



ATENCIÓN: Indica una situación de peligro potencial que, si no se evita, **posiblemente provocaría lesiones leves o moderadas.**



(Utilizado sin palabras) Indica un mensaje de seguridad relacionado.

AVISO: Se refiere a una práctica **no relacionada a lesiones corporales** que de no evitarse **puede** resultar en **daños a la propiedad.**

ADVERTENCIAS GENERALES DE SEGURIDAD PARA HERRAMIENTAS ELÉCTRICAS



ADVERTENCIA: Lea todas las advertencias de seguridad, instrucciones, ilustraciones y especificaciones incluidas con esta herramienta eléctrica. La falla en seguir todas las instrucciones siguientes puede resultar en descarga eléctrica, incendio y/o lesiones serias.

CONSERVE TODAS LAS ADVERTENCIAS E INSTRUCCIONES PARA FUTURAS CONSULTAS.

El término "herramienta eléctrica" incluido en las advertencias hace referencia a las herramientas eléctricas operadas con corriente (con cable eléctrico) o a las herramientas eléctricas operadas con baterías (inalámbricas).

1) Seguridad en el Área de Trabajo

- Mantenga el área de trabajo limpia y bien iluminada.** Las áreas abarrotadas y oscuras propician accidentes.

- No opere las herramientas eléctricas en atmósferas explosivas, como ambientes donde haya polvo, gases o líquidos inflamables.** Las herramientas eléctricas originan chispas que pueden encender el polvo o los vapores.
- Mantenga alejados a los niños y a los espectadores de la herramienta eléctrica en funcionamiento.** Las distracciones pueden provocar la pérdida de control.

2) Seguridad Eléctrica

- Los enchufes de la herramienta eléctrica deben adaptarse al tomacorriente. Nunca modifique el enchufe de ninguna manera. No utilice ningún enchufe adaptador con herramientas eléctricas con conexión a tierra.** Los enchufes no modificados y que se adaptan a los tomacorrientes reducirán el riesgo de descarga eléctrica.
- Evite el contacto corporal con superficies con descargas a tierra como, por ejemplo, tuberías, radiadores, cocinas eléctricas y refrigeradores.** Existe mayor riesgo de descarga eléctrica si su cuerpo está puesto a tierra.
- No exponga las herramientas eléctricas a la lluvia o a condiciones de humedad.** Si entra agua a una herramienta eléctrica, aumentará el riesgo de descarga eléctrica.
- No maltrate el cable. Nunca utilice el cable para transportar, tirar o desenchufar la herramienta eléctrica. Mantenga el cable alejado del calor, el aceite, los bordes filosos y las piezas móviles.** Los cables dañados o enredados aumentan el riesgo de descarga eléctrica.
- Al operar una herramienta eléctrica en el exterior, utilice un cable prolongador adecuado para tal uso.** Utilice un cable adecuado para uso en exteriores a fin de reducir el riesgo de descarga eléctrica.
- Si el uso de una herramienta eléctrica en un lugar húmedo es imposible de evitar, utilice un suministro protegido con un interruptor de circuito por falla a tierra (GFCI).** El uso de un GFCI reduce el riesgo de descargas eléctricas.

3) Seguridad Personal

- Permanezca alerta, controle lo que está haciendo y utilice el sentido común cuando emplee una herramienta eléctrica. No utilice una herramienta eléctrica si está cansado o bajo el efecto de drogas, alcohol o medicamentos.** Un momento de descuido mientras se opera una herramienta eléctrica puede provocar lesiones personales graves.
- Utilice equipos de protección personal. Siempre utilice protección para los ojos.** En las condiciones adecuadas, el uso de equipos de protección, como máscaras para polvo, calzado de seguridad antideslizante, cascos o protección auditiva, reducirá las lesiones personales.
- Evite el encendido por accidente. Asegúrese de que el interruptor esté en la posición de**

apagado antes de conectarlo a la fuente de energía o paquete de baterías, o antes de levantar o transportar la herramienta. Transportar herramientas eléctricas con el dedo apoyado en el interruptor o enchufar herramientas eléctricas con el interruptor en la posición de encendido puede propiciar accidentes.

- d) **Retire la clavija de ajuste o la llave de tuercas antes de encender la herramienta eléctrica.** Una llave de tuercas o una clavija de ajuste que quede conectada a una pieza giratoria de la herramienta eléctrica puede provocar lesiones personales.
- e) **No se estire. Conserve el equilibrio y párese adecuadamente en todo momento.** Esto permite un mejor control de la herramienta eléctrica en situaciones inesperadas.
- f) **Use la vestimenta adecuada. No use ropas holgadas ni joyas. Mantenga el cabello, la ropa y los gantes alejados de las piezas en movimiento.** Las ropas holgadas, las joyas o el cabello largo pueden quedar atrapados en las piezas en movimiento.
- g) **Si se suministran dispositivos para la conexión de accesorios con fines de recolección y extracción de polvo, asegúrese de que estén conectados y que se utilicen correctamente.** El uso de dispositivos de recolección de polvo puede reducir los peligros relacionados con el polvo.
- h) **No permita que la familiaridad obtenida a partir del uso frecuente de herramientas le permitan volverse descuidado e ignorar los principios de seguridad de la herramienta.** Una acción descuidada puede causar lesiones severas en una fracción de segundo.

4) Uso y Mantenimiento de la Herramienta Eléctrica

- a) **No fuerce la herramienta eléctrica. Utilice la herramienta eléctrica correcta para el trabajo que realizará.** Si se la utiliza a la velocidad para la que fue diseñada, la herramienta eléctrica correcta permite trabajar mejor y de manera más segura.
- b) **No utilice la herramienta eléctrica si no puede encenderla o apagarla con el interruptor.** Toda herramienta eléctrica que no pueda ser controlada mediante el interruptor es peligrosa y debe repararse.
- c) **Desconecte el enchufe de la fuente de alimentación y/o retire la batería, o paquete si es desmontable, de la herramienta eléctrica antes de realizar cualquier ajuste, cambiar accesorios o almacenar herramientas eléctricas.** Estas medidas de seguridad preventivas reducen el riesgo de encender la herramienta eléctrica en forma accidental.
- d) **Guarde la herramienta eléctrica que no esté en uso fuera del alcance de los niños y no permita que otras personas no familiarizadas con ella o con estas instrucciones operen la herramienta.** Las herramientas eléctricas son peligrosas si son operadas por usuarios no capacitados.

- e) **Dé mantenimiento a las herramientas eléctricas y accesorios. Revise que no haya piezas en movimiento mal alineadas o trabadas, piezas rotas o cualquier otra situación que pueda afectar el funcionamiento de la herramienta eléctrica. Si encuentra daños, haga reparar la herramienta eléctrica antes de utilizarla.** Se producen muchos accidentes a causa de las herramientas eléctricas que carecen de un mantenimiento adecuado.
- f) **Mantenga las herramientas de corte afiladas y limpias.** Las herramientas de corte con mantenimiento adecuado y con los bordes de corte afilados son menos propensas a trabarse y son más fáciles de controlar.
- g) **Utilice la herramienta eléctrica, los accesorios y las brocas de la herramienta, etc. de acuerdo con estas instrucciones y teniendo en cuenta las condiciones de trabajo y el trabajo que debe realizarse.** El uso de la herramienta eléctrica para operaciones diferentes de aquéllas para las que fue diseñada podría originar una situación peligrosa.
- h) **Mantenga las manijas y superficies de sujeción secas, limpias y libres de aceite y grasa.** Las manijas y superficies de sujeción resbalosas no permiten el manejo y control seguros de la herramienta en situaciones inesperadas.

5) Uso y Mantenimiento de la Herramienta con Baterías

- a) **Recargue solamente con el cargador especificado por el fabricante.** Un cargador adecuado para un tipo de paquete de baterías puede originar riesgo de incendio si se utiliza con otro paquete de baterías.
- b) **Utilice herramientas eléctricas sólo con paquetes de baterías específicamente diseñados.** El uso de cualquier otro paquete de baterías puede producir riesgo de incendio y lesiones.
- c) **Cuando no utilice el paquete de baterías, manténgalo lejos de otros objetos metálicos como sujetapapeles, monedas, llaves, clavos, tornillos u otros objetos metálicos pequeños que puedan realizar una conexión desde un terminal al otro.** Los cortocircuitos en los terminales de la batería pueden provocar quemaduras o incendio.
- d) **En condiciones abusivas, el líquido puede ser expulsado de la batería. Evite su contacto. Si entra en contacto accidentalmente, enjuague con agua. Si el líquido entra en contacto con los ojos, busque atención médica.** El líquido expulsado de la batería puede provocar irritación o quemaduras.
- e) **No use un paquete de batería o herramienta que estén dañados o modificados.** Las baterías dañadas o modificadas pueden presentar un comportamiento impredecible que resulte en incendios, explosión o riesgo de lesiones.
- f) **No exponga un paquete de batería o una herramienta a fuego o temperatura excesiva.** La

exposición a fuego o temperaturas mayores a 130 °C (265 °F) pueden causar una explosión.

- g) **Siga todas las instrucciones de carga y no cargue el paquete de batería o la herramienta fuera del rango de temperatura especificado en las instrucciones.** Cargar inadecuadamente o en una temperatura fuera del rango de temperatura especificado puede dañar la batería e incrementar el riesgo de incendio.

6) Mantenimiento

- a) **Solicite a una persona calificada en reparaciones que realice el mantenimiento de su herramienta eléctrica y que sólo utilice piezas de repuesto idénticas.** Esto garantizará la seguridad de la herramienta eléctrica.
- b) **Nunca dé servicio a paquetes de batería dañados.** El servicio de paquetes de batería sólo debe ser realizado por el fabricante o proveedores de servicio autorizados.

TALADRO/ROTOMARTILLOS ADVERTENCIAS DE SEGURIDAD

1) Instrucciones de seguridad para todas las operaciones

- a) **Use protectores auditivos durante el uso.** La exposición al ruido puede causar pérdida de audición.
- b) **Utilice el (los) mango(s) auxiliares.** Perder el control de la herramienta podría causar lesiones corporales.
- c) **Sujete la herramienta correctamente antes de usarla.** Esta herramienta produce un alto par de salida y, sin sujetarla adecuadamente durante la operación, se puede perder el control y provocar lesiones personales.
- d) **Sostenga la herramienta eléctrica por las superficies de sujeción aisladas, cuando realice una operación en la que el accesorio de corte o sujetadores puedan hacer contacto con cableado oculto.** Los accesorios de corte o sujetador que hagan contacto con cable "vivo" pueden tener partes de metal expuestas de la herramienta eléctrica "viva" y podrían dar al operador una descarga eléctrica.

2) Instrucciones de seguridad al usar brocas largas

- a) **Nunca opere a mayor velocidad que la velocidad máxima de la broca.** A velocidades más altas, es probable que la broca se doble si se permite que gire libremente sin entrar en contacto con la pieza de trabajo, lo que ocasionaría lesiones personales.
- b) **Siempre comience a taladrar a baja velocidad y con la punta de la broca en contacto con la pieza de trabajo.** A velocidades más altas, es probable que la broca se doble si se permite que gire libremente sin entrar en contacto con la pieza de trabajo, lo que ocasionaría lesiones personales.
- c) **Aplique presión sólo en línea recta con la broca y no aplique una presión excesiva.** Las brocas pueden

doblarse y causar roturas o pérdida de control, lo que puede ocasionar lesiones personales.

Advertencias de Seguridad Adicionales para Taladros

- **No opere esta herramienta por largos períodos de tiempo.** La vibración causada por la acción de operación de esta herramienta puede causar lesiones permanentes en los dedos, las manos y los brazos. Use guantes para proporcionar un acojinamiento adicional, tome descansos frecuentes y limite el tiempo de uso diario.
- **Las brocas y herramientas de rotomartillo se calientan durante la operación.** Use guantes cuando los toque.

Información de Seguridad Adicional



ADVERTENCIA: Nunca modifique la herramienta eléctrica o ninguna parte de ella. Podría resultar en daño o lesiones personales.



ADVERTENCIA: SIEMPRE use gafas de seguridad. Las gafas de uso diario NO son gafas de seguridad. También use una careta o máscara de polvo si la operación de corte produce polvo. SIEMPRE USE EQUIPO DE SEGURIDAD CERTIFICADO:

- Protección para los ojos ANSI Z87.1 (CAN/CSA Z94.3),
- Protección auditiva ANSI S12.6 (S3.19),
- Protección respiratoria NIOSH/OSHA/MSHA.



ADVERTENCIA: Algún polvo creado por lijado, aserrado, pulido, perforación eléctricos y otras actividades de construcción contienen químicos conocidos por el Estado de California como causantes de cáncer, defectos de nacimiento u otros daños reproductivos. Algunos ejemplos de estos químicos son:

- plomo a partir de pinturas a base de plomo,
- sílice cristalino de ladrillos y cemento y otros productos de mampostería, y
- arsénico y cromo a partir de madera tratada químicamente.












Su riesgo a partir de estas exposiciones varía, dependiendo de qué tan a menudo realice este tipo de trabajo. Para reducir su exposición a estos químicos: trabaje en un área bien ventilada, y trabaje con equipo de seguridad aprobado, tal como máscaras de polvo que estén diseñadas específicamente para filtrar partículas microscópicas.

- **Use ropa de protección y lave las áreas expuestas con agua y jabón.** Permitir que el polvo entre en su boca, ojos, o que quede sobre la piel puede promover la absorción de químicos peligrosos. Dirija las partículas lejos de la cara y el cuerpo.
- **Use la aspiradora de extracción de polvo adecuada para retirar la mayoría de polvo estático y transportado por aire.** La falla en retirar el polvo estático y transportado por aire podría contaminar el ambiente de trabajo y presentar un riesgo de salud mayor al operador y personas en las cercanías.

- **Utilice abrazaderas u otra forma práctica para asegurar y sostener la pieza de trabajo sobre una plataforma estable. Utilice abrazaderas u otra forma práctica para asegurar y sostener la pieza de trabajo en una plataforma estable.** Sostener el trabajo con la mano o contra el cuerpo no brinda la estabilidad requerida y puede llevar a la pérdida del control.
- **Las ventilas de aire a menudo cubren las partes móviles y se deben evitar.** La ropa suelta, joyería, o cabello largo podrían quedar atrapados en las partes móviles.

⚠ ATENCIÓN: Cuando no esté en uso, coloque la herramienta en su lado sobre una superficie estable donde no cause un peligro de tropiezo o caída. Algunas herramientas con paquetes de batería grandes pueden quedar verticales sobre el paquete de batería pero se pueden voltear fácilmente.

La etiqueta en su herramienta puede incluir los siguientes símbolos. Los símbolos y sus definiciones son los siguientes:

V	voltios		o CA/CD..... corriente alterna o directa
Hz	hertz		
min	minutos	 Construcción Clase II (aislamiento doble)
— — o CD	corriente directa	n ₀	sin carga velocidad
 Construcción Clase I (conectada a tierra)	n	velocidad nominal
... /min	por minuto	PSI	libras por pulgada cuadrada
BPM	golpes por minuto		terminal de tierra
IPM	impactos por minuto		símbolo de alerta de seguridad
OPM	oscilaciones por minuto		radiación visible—no mirar directamente a la luz
RPM	revoluciones por minuto		usar protección respiratoria
sfpm	pies de superficie por minuto		usar protección para los ojos
SPM	carreras por minuto		usar protección auditiva
A	amperios		lea toda la documentación
W	watts		
Wh	watt horas		
Ah	amperios hora		
~ o CA	corriente alterna		
 no exponga a la lluvia		

BATERÍAS Y CARGADORES

El paquete de batería no está completamente cargado cuando se retira del cartón. Antes de usar la batería y el cargador, lea las siguientes instrucciones de seguridad y luego siga los procedimientos de carga descritos. Cuando solicite paquetes de baterías de repuesto, asegúrese de incluir el número de catálogo y el voltaje.

LEA TODAS LAS INSTRUCCIONES

Instrucciones de Seguridad Importantes para Todos los Paquetes de Batería

⚠ ADVERTENCIA: Lea todas las advertencias de seguridad, instrucciones y marcas de precaución para el paquete de la batería, el cargador y el

producto. La falla en seguir las advertencias e instrucciones puede resultar en descarga eléctrica, incendio y/o lesiones serias.

- **No cargue o use el paquete de batería en atmósferas explosivas, como en la presencia de líquidos, gases o polvo inflamables.** Insertar o retirar el paquete de batería del cargador puede encender el polvo y los vapores.
- **NUNCA fuerce el paquete de batería dentro del cargador. NO modifique el paquete de batería en ninguna forma para instalarlo en un cargador no compatible ya que el paquete de batería se puede romper causando lesiones personales serias.** Consulte la tabla al final de este manual respecto a compatibilidad de las baterías y cargadores.
- **Cargue los paquetes de batería sólo en cargadores DEWALT.**
- **NO salpique ni sumerja en agua u otros líquidos.**
- **NO permita que agua o ningún otro líquido entre al paquete de batería.**
- **No almacene ni use la herramienta y el paquete de baterías en lugares donde la temperatura pueda alcanzar o exceder los 40 °C (104 °F) (como cobertizos exteriores o edificios de metal en verano).** Para obtener la mejor vida útil, guarde los paquetes de baterías en un lugar fresco y seco.
- **NOTA: No guarde los paquetes de baterías en una herramienta con el interruptor de gatillo bloqueado. Nunca sujete con cinta el interruptor de gatillo en la posición ON.**
- **No incinere el paquete de batería incluso si está dañado severamente o está completamente agotada.** El paquete de batería pueden explotar en el fuego. Se crean humos y materiales tóxicos cuando se queman los paquetes de baterías de ion de litio.
- **No exponga un paquete de batería o una herramienta a fuego o temperatura excesiva.** La exposición a fuego o temperaturas mayores a 130 °C (265 °F) pueden causar una explosión.
- **Siga todas las instrucciones de carga y no cargue el paquete de batería o el aparato fuera del rango de temperatura especificado en las instrucciones.** Cargar inadecuadamente o en una temperatura fuera del rango especificado puede dañar la batería e incrementar el riesgo de incendio.
- **Si el contenido de la batería entra en contacto con la piel, lave de inmediato el área con jabón suave y agua.** Si el líquido de la batería entra en los ojos, enjuague con agua sobre el ojo abierto durante 15 minutos o hasta que desaparezca la irritación. Si se necesita atención médica, el electrolito de la batería está compuesto por una mezcla de carbonatos orgánicos líquidos y sales de litio.
- **El contenido de las celdas de batería abiertas puede causar irritación respiratoria.** Proporcione aire fresco. Si los síntomas persisten, busque atención médica.
- **El líquido de la batería puede ser inflamable si se expone a chispas o llamas.**
- **Nunca intente abrir el paquete de baterías por ninguna razón. Si la caja del paquete de baterías está**

agrietada o dañada, no la inserte en el cargador. No aplaste, deje caer o dañe el paquete de la batería. No use un paquete de baterías o cargador que haya recibido un golpe fuerte, se haya dejado caer, se haya aplastado o dañado de cualquier manera (por ej., perforado con un clavo, golpeado con un martillo, o pisado). Los paquetes de batería dañados se deben regresar al centro de servicio para reciclaje.

en la clasificación de Watts hora indicada al lado de "Uso."

Ejemplo de etiqueta de paquete de batería:

USO: 120 Wh Envío: 3 x 40 Wh

En este ejemplo, el paquete de batería es tres baterías con 40 Watts hora cada una cuando se usa la tapa. De otra manera, el paquete de batería es de 120 Watts hora.

Recomendaciones de Almacenamiento

El mejor lugar de almacenamiento es aquel que es fresco y seco, alejado de la luz solar directa y del exceso de calor o frío. Guarde el paquete de batería completamente cargado fuera del cargador.

Instrucciones de Limpieza de Paquete de Batería

La suciedad y grasa se pueden retirar del exterior de la paquete de batería con una tela o cepillo no metálico suave. No use agua o ninguna solución de limpieza.

Paquetes de Baterías de Indicador de Combustible (Fig. B)

Algunos paquetes de batería incluyen un indicador de combustible. Cuando se presiona y sostiene el botón de indicador de combustible, las luces LED indicarán el nivel de carga aproximado restante. Éste no indica la funcionalidad de la herramienta y está sujeto a variación en base a los componentes del producto, la temperatura y la aplicación del usuario final.

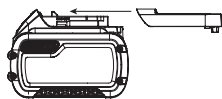
Transporte



ADVERTENCIA: Riesgo de incendio. No guarde, transporte, o lleve el paquete de batería de forma que objetos de metal puedan tener contacto con las terminales expuestas de la batería. Por ejemplo, no coloque la batería en delantales, bolsillos, cajas de herramientas, cajas de juego de productos, cajones, etc., con clavos sueltos, tornillos, llaves, monedas, herramientas manuales, etc. Al transportar paquetes de baterías individuales, asegúrese que las terminales de la batería estén protegidas y bien aisladas de materiales que puedan entrar en contacto con ellas y causar un cortocircuito. **NOTA:** Los paquetes de batería de ion de litio no se deben colocar en equipaje de mano en aviones y se deben proteger adecuadamente contra corto circuito si están en el equipaje registrado.

Envío de Paquete de Batería DEWALT FLEXVOLT®

El paquete de batería DEWALT FLEXVOLT® tiene una tapa de batería que se debe usar cuando se envíe el paquete de batería.



Conecte la tapa al paquete de batería para alistarlo para envío. Esto convierte el paquete de batería en tres baterías de 20V separadas. Las tres baterías tienen la clasificación Watt horas en el paquete de batería etiquetado "Envío." Si se envía sin la tapa o en una herramienta, el paquete es una batería

El Sello RBRC®

Lleve sus paquetes de batería agotados a un centro de servicio autorizado DEWALT o a su minorista local para reciclarlas. En algunas áreas, es ilegal colocar paquetes de batería gastados en la basura. También puede comunicarse con su centro de reciclaje local para obtener información sobre dónde dejar el paquete de batería agotado. No las coloque en el reciclaje de la acera. Para información adicional visite www.call2recycle.org.

O llame al número de larga distancia gratuito en el Sello RBRC®. RBRC® es una marca comercial registrada de Call 2 Recycle, Inc.



Instrucciones de Seguridad Importantes para Todos los Cargadores de Batería



ADVERTENCIA: Lea todas las advertencias de seguridad, instrucciones y marcas de precaución para el paquete de la batería, el cargador y el producto. La falla en seguir las advertencias e instrucciones puede resultar en descarga eléctrica, incendio y/o lesiones serias.

- **NO intente cargar el paquete de batería con ningún cargador diferente a un cargador DEWALT.** Los cargadores y paquetes de batería DEWALT están diseñados específicamente para funcionar juntos.
- **Estos cargadores no están diseñados para usos diferentes a cargar paquetes de batería DEWALT recargables.** Cargar otros tipos de baterías puede causar que se sobrecalienten y exploten, resultando en lesiones personales, daño a la propiedad, incendio, descarga eléctrica o electrocución.
- **No exponga el cargador a la lluvia o la nieve.**
- **NO permita que agua o ningún otro líquido entre al cargador.**
- **Jale por el enchufe en lugar del cable cuando desconecte el cargador.** Esto reducirá el riesgo de daños al enchufe y cable eléctricos.
- **Asegúrese que el cable esté ubicado de forma que no se pueda pisar, provoque tropiezos, o de otra forma esté sujeto a daño o esfuerzo.**
- **No use un cable de extensión a menos que sea absolutamente necesario.** El uso de un cable de extensión inadecuado podría resultar en riesgo de incendio, descarga eléctrica o electrocución.
- **Cuando opere un cargador al aire libre, proporcione siempre un lugar seco y use un cable de extensión adecuado para uso en exteriores.** El uso de un cable adecuado para uso en exteriores reduce el riesgo de descarga eléctrica.

- **Un cable de extensión debe tener un tamaño de cable adecuado (AWG o American Wire Gauge) por seguridad.** Cuanto menor es el número de longitud del cable, el cable será más pesado y por lo tanto su capacidad. Un cable de tamaño inferior causará una caída en el voltaje en línea que resulta en una pérdida de energía y sobrecalentamiento. La siguiente tabla muestra el tamaño correcto a usar dependiendo de la longitud total de todos los cables de extensión juntos, y la clasificación de amperes de la placa de identificación. Si tiene duda, use el calibre más pesado siguiente.

Calibre mínimo para juegos de cable

Voltios		Longitud total de cable en pies (metros)			
120V		25 (7,6)	50 (15,2)	100 (30,5)	150 (45,7)
Clasificación de amperes		American Wire Gauge			
Mayor a	No mayor a				
0	6	18	16	16	14
6	10	18	16	14	12
10	12	16	16	14	12
12	16	14	12	No recomendado	

- **No coloque ningún objeto encima del cargador ni coloque el cargador sobre una superficie blanda que pueda bloquear las ranuras de ventilación y provocar un calor interno excesivo.** Coloque el cargador en una posición lejos de cualquier fuente de calor. El cargador se ventila a través de ranuras en la parte superior e inferior del alojamiento.
- **No opere el cargador con un cable o enchufe dañado.** Solicite que los reemplacen de inmediato.
- **No opere el cargador si recibió un golpe fuerte, se dejó caer o se dañó de cualquier manera.** Llévelo a un centro de servicio autorizado.
- **No desensamble el cargador; llévelo a un centro de servicio autorizado cuando se requiera servicio o reparación.** El reensamble incorrecto puede resultar en un riesgo de descarga eléctrica, electrocución o incendio.
- **El cargador está diseñado para operar con corriente eléctrica doméstica estándar de 120V. No intente usarlo en ningún otro voltaje.** Esto no aplica al cargador de vehículos.
- **Los materiales extraños de naturaleza conductiva tales como, pero sin limitarse a, polvo de pulido, rebabas de metal, lana de acero, papel aluminio, o cualquier acumulación de partículas metálicas se deben mantener alejados de las cavidades y ranuras de ventilación del cargador.**
- **Siempre desconecte el cargador del suministro de energía cuando no haya paquete de baterías en la cavidad.**

Carga de la Batería (Fig. A, C)

1. Conecte el cargador en un tomacorriente apropiado.
2. Inserte y asiente completamente el paquete de batería 1. Las luces verde rojas parpadearán continuamente mientras carga.

3. La carga está completa cuando las luces de carga roja permanecen encendidas continuamente. El paquete de batería se puede dejar en el cargador o retirarse.



ADVERTENCIA: Sólo cargue baterías en temperatura ambiente mayor a 4,5 °C (40 °F) y menor a 40 °C (104 °F).

4. El cargador no cargará un paquete de batería defectuoso, lo que puede indicarse por las luces de carga que permanecen apagadas. Lleve el cargador y el paquete de batería a un centro de servicio autorizado si las luces permanecen apagadas.

NOTA: Consulte la etiqueta cerca de las luces de carga en el cargador respecto a los patrones de parpadeo. Los cargadores más viejos pueden tener información adicional y/o pueden no tener una luz indicadora amarilla.

NOTA: Para retirar el paquete de batería, algunos cargadores requieren que se presione el botón de liberación del paquete de batería 2.

Demora de Paquete Caliente/Frío

Cuando el cargador detecta un paquete de batería que esté demasiado caliente o demasiado fría, comienza automáticamente una Demora de Paquete Caliente/Frío, suspendiendo la carga hasta que el paquete de batería alcance una temperatura apropiada. El cargador cambia automáticamente al modo de carga del paquete. Esta característica garantiza la vida máxima del paquete de batería. Un paquete de batería frío puede cargar a un ritmo más lento que un paquete de batería caliente.

La demora de paquete caliente/frío se indicará por la luz roja que continúan parpadeando pero con la luz amarilla encendida continuamente. Una vez que el paquete de batería alcance una temperatura adecuada, la luz amarilla se apagará y el cargador reanudará el procedimiento de carga.

Cargadores DCB118 y DCB1112

Los cargadores DCB118 y DCB1112 están equipados con un ventilador interno diseñado para enfriar el paquete de batería. El ventilador se encenderá automáticamente cuando el paquete de batería se necesite enfriar.

No opere nunca el cargador si el ventilador no funciona adecuadamente o si las ranuras de ventilación están obstruidas. No permita que entren objetos extraños dentro del cargador.

Sistema de Protección Electrónica

Las herramientas de ion de litio están diseñadas con un Sistema de Protección Electrónica que protegerá el paquete de batería contra sobrecarga, sobrecalentamiento o descarga profunda. La herramienta se apagará automáticamente y el paquete de batería se necesitará volver a cargar.

Notas Importantes de Carga

1. Se puede obtener una mayor duración y un mejor rendimiento si la unidad de batería se carga a una temperatura ambiente de 18 °C–24 °C (65 °F–75 °F). NO cargue cuando el paquete de batería está debajo de 4,5 °C (40 °F), o arriba de 40 °C (104 °F). Esto es importante y evitará causar daños graves a la batería.

2. El cargador y el paquete de baterías pueden calentarse al tacto durante la carga. Esta es una condición normal y no indica un problema. Para facilitar el enfriamiento de la batería después de su uso, evite colocar el cargador o la batería en un ambiente cálido, como en un cobertizo de metal o un remolque sin aislamiento.
3. Si la batería no se carga correctamente:
 - a. Verifique la operación del receptáculo conectando una lámpara u otro aparato;
 - b. Revise si el receptáculo está conectado a un interruptor de luz que apegue la energía cuando apague las luces;
 - c. Si persisten los problemas de carga, lleve la herramienta, el paquete de batería y el cargador a su centro de servicio local.
4. Puede cargar un paquete parcialmente usado cuando lo desee sin ningún efecto adverso en el paquete de baterías.

ambas manos en la posición correcta para operación como se muestra.



ADVERTENCIA: NUNCA apoye la herramienta contra el paquete de batería.

- El torque es la acción de torsión que produce el taladro con respecto a la broca giratoria. Conforme la broca encuentra resistencia en el material que se perfora, el motor responde ajustando el torque de salida para cumplir con los requisitos hasta la capacidad máxima del motor y el sistema de engranes.
- La broca gira en el sentido de las manecillas del reloj cuando la herramienta está en la posición de avance y en el sentido contrario a las manecillas del reloj cuando la herramienta está en la posición de reversa.
- El torque de reacción de la herramienta es en la dirección opuesta.

Sistema ANTI-ROTACIÓN (Fig. L)

Su herramienta está equipada con el Sistema ANTI-ROTACIÓN DEWALT. Esta función detecta el movimiento de la herramienta y la apaga si es necesario. El indicador LED rojo **22** se ilumina cuando el sistema ANTI-ROTACIÓN está activado.

INDICADOR	DIAGNÓSTICO	SOLUCIÓN
APAGADO	La herramienta está funcionando normalmente	Siga todas las advertencias e instrucciones al operar la herramienta.
RÓJO SÓLIDO	El sistema ANTI-ROTACIÓN se activó (ACTIVADO)	Con la herramienta correctamente apoyada, libere el gatillo. La herramienta funcionará normalmente cuando se presione nuevamente el gatillo y se apague la luz indicadora.

Instrucciones de Limpieza de Cargador



ADVERTENCIA: Riesgo de descarga eléctrica. Desconecte el cargador del tomacorriente CA antes de limpiar. La suciedad y grasa se pueden retirar del exterior del cargador con una tela o cepillo no metálico suave. No use agua o ninguna solución de limpieza.

Montaje en Pared

Algunos cargadores DEWALT están diseñados para poderse montar en pared o colocarse vertical sobre una mesa o superficie de trabajo. Si se monta en pared, localice el cargador dentro del alcance de un tomacorriente eléctrico, y lejos de una esquina u otras obstrucciones que puedan impedir el flujo de aire. Use la parte posterior del cargador como una plantilla para la ubicación de los tornillos de montaje en la pared. Instale el cargador firmemente con tornillos para tablaroca (adquiridos por separado) por lo menos de 25,4 mm (1") de largo, con un diámetro de cabeza de tornillo de 7–9 mm (0,28–0,35"), atornillados en madera a una profundidad óptima dejando aproximadamente 5,5 mm (7/32") de tornillo expuesto. Alinee las ranuras en la parte posterior del cargador con los tornillos expuestos y concéltelos completamente dentro de las ranuras.

CONSERVE ESTAS INSTRUCCIONES PARA USO FUTURO

ENSAMBLE Y AJUSTES



ADVERTENCIA: Para reducir el riesgo de lesiones personales, apague la unidad y retire el paquete de batería antes de realizar cualquier ajuste o retirar/instalar conexiones o accesorios, cuando reemplace la línea, o antes de la limpieza. Un arranque accidental puede causar lesiones.

Advertencia de (Fig. H, I)



APRIETE: Éste es un taladro de alto torque. Para reducir el riesgo de lesiones personales graves, **SIEMPRE** sostenga firmemente la herramienta con

Manija lateral (Fig. F1–F4)



ADVERTENCIA: Para reducir el riesgo de lesiones personales, **SIEMPRE** opere la herramienta con la manija lateral instalada y apretada correctamente. De lo contrario, la manija lateral se deslizará durante la operación de la herramienta y la consiguiente pérdida de control. Sostenga la herramienta con ambas manos para maximizar el control.

La manija lateral **14** se sujeta al frente de la caja de engranajes y se puede instalar en múltiples posiciones para permitir el uso con la mano derecha o izquierda. Después que la manija lateral se gire en posición, se debe empujar hacia atrás hasta que las ranuras **16** en el labio de la manija lateral estén alineadas y conectadas completamente con las lengüetas de proyección **17** en la parte superior e inferior de la caja de engranes. La manija lateral entonces se asegura firmemente girando la agarradera de la manija **18** en sentido de las manecillas del reloj hasta que esté apretada. Asegúrese de sujetar la manija lateral en el extremo más alejado de la agarradera de la manija para controlar la herramienta durante un ahogamiento.

IMPORTANTE: Las Figuras F3 y F4 ilustran la instalación correcta e incorrecta de la manija lateral.

Instalación de broca o accesorio en mandril (Fig. D)

⚠️ ADVERTENCIA: No intente apretar brocas (ni ningún otro accesorio) sujetando la parte delantera del mandril y encendiendo la herramienta. Pueden resultar daños en el mandril y lesiones personales. Siempre bloquee el interruptor de gatillo y desconecte la herramienta de la fuente de alimentación cuando cambie los accesorios.

⚠️ ADVERTENCIA: Siempre asegúrese que la broca está asegurada antes de arrancar la herramienta. Una broca suelta puede ser expulsada de la herramienta causando posibles lesiones personales.

⚠️ ADVERTENCIA: El mandril sin llave se desbloquea tras el primer clic con la camisa del mandril en sentido contrario a las manecillas del reloj. La operación en estado desbloqueado puede provocar la abertura involuntaria del mandril sin llave.

Para insertar una broca u otro accesorio, siga estos pasos.



1. Apague la herramienta y retire el paquete de batería.
2. Sujete la camisa negra del mandril con una mano y utilice la otra mano para sujetar la herramienta. Gire la camisa en sentido contrario a las manecillas del reloj lo suficiente para aceptar el accesorio deseado.
3. Inserte el accesorio aproximadamente 19 mm (3/4") en el mandril **6** y apriételo firmemente sujetando y girando la camisa del mandril **7** en sentido de las manecillas del reloj con una mano mientras sostiene la herramienta con la otra mano. Cuando el mandril esté casi apretado escuchará un sonido de clic. Continúe apretando tanto como pueda. Su herramienta está equipada con un mecanismo de bloqueo de husillo automático. Esto le permite abrir y cerrar el mandril con una mano.
4. Asegúrese de apretar el mandril con una mano sobre la camisa del mandril y una mano sosteniendo la herramienta para obtener el máximo apriete. Al apretar, no gire en el sentido contrario a las manecillas del reloj.
5. Para liberar el accesorio, repita los pasos 1 y 2 anteriores.

Selección de Modo (Fig. A)

El collar de selección de modo **5** se puede usar para seleccionar el modo de operación correcto dependiendo de la aplicación planificada.

Para seleccionar, gire el collar hasta que el símbolo deseado se alinee con la flecha.

⚠️ ADVERTENCIA: Cuando el collar de selección de modo esté en las posiciones de taladro o rotomartillo, el taladro no se embraga. El taladro puede atorarse si se sobrecarga causando un giro repentino.

Symbol	Mode
	Perforación
1-11	Atornillado (mayor número = mayor torque)
	Rotoperforación

Selección de Velocidad (Fig. A)

La herramienta presenta tres ajustes de velocidad para mayor versatilidad.

NOTA: No cambie velocidades cuando la herramienta esté en operación. Siempre permita que la herramienta se detenga por completo antes de cambiar la velocidad.

- Para seleccionar la velocidad 1 (ajuste de alto torque), apague la herramienta y permita que se detenga. Deslice el selector de velocidad **8** completamente hacia adelante.
- La velocidad 2 (ajuste de velocidad y torque medios) está en la posición media.
- La velocidad 3 (ajuste de velocidad máxima) está en la parte trasera.

Si la herramienta no cambia velocidades, confirme que el selector de velocidad está conectado completamente en la posición delantera o trasera.

Si persiste el problema para cambiar velocidades, presione y libere el interruptor de gatillo e intente de nuevo.

OPERACIÓN

⚠️ ADVERTENCIA: Para reducir el riesgo de lesiones personales severas, apague la unidad y retire el paquete de batería antes de realizar cualquier ajuste o retirar/instalar conexiones o accesorios. Un arranque accidental puede causar lesiones.

Instalación y desinstalación de paquete de batería (Fig. E)

⚠️ ADVERTENCIA: Asegúrese que la herramienta/aparato esté en la posición apagada antes de insertar el paquete de la batería.

NOTA: Para mejores resultados, asegúrese que su paquete de batería está completamente cargado.

1. Para instalar el paquete de batería **1** en la manija de la herramienta, alinee el paquete de la batería con los rieles dentro de la manija de la herramienta y deslícelo en la manija hasta que el paquete de batería esté asentado firmemente en la herramienta y asegúrese que no se desconecte.
2. Para retirar el paquete de batería de la herramienta, presione el botón de liberación del paquete de batería **2** y jale firmemente el paquete de batería fuera de la manija de la herramienta. Insértelo en el cargador como se describe en la sección de cargador de este manual.

Posición Adecuada de las Manos (Fig. J)

⚠️ ADVERTENCIA: Para reducir el riesgo de lesión personal grave, tenga **SIEMPRE** las manos en una posición adecuada como se muestra.

⚠️ ADVERTENCIA: Para reducir el riesgo de lesión personal grave, sujete **SIEMPRE** bien en caso de que haya una reacción repentina.

Para tener una posición adecuada de las manos, ponga una mano en la empuñadura principal **15** y la otra en la empuñadura lateral **14** para controlar la acción de giro del taladro.

Gatillo de Velocidad Variable y Botón de Control de Avance/Reversa (Fig. A)

La herramienta se enciende y apaga jalando y liberando el interruptor de velocidad variable **3**. Mientras más se presione el gatillo, mayor será la velocidad de la herramienta. Su herramienta está equipada con un freno. El mandril se detendrá tan pronto como el interruptor de gatillo se libere por completo.

Un botón de control de avance/reversa **4** determina la dirección de rotación de la herramienta y también sirve como un botón de bloqueo en apagado.

- Para seleccionar la rotación de avance (en sentido de las manecillas del reloj), libere el gatillo y presione el botón de control de avance/reversa en el lado derecho de la herramienta.
- Para seleccionar la reversa (en sentido contrario a las manecillas del reloj), presione el botón de control de avance/reversa en el lado izquierdo de la herramienta.

NOTA: La posición central del botón de control bloquea la herramienta en la posición apagada. Cuando cambie la posición del botón de control, asegúrese que se libere el gatillo.

NOTA: No se recomienda el uso continuo en rango de velocidad variable. Puede dañar el interruptor y se debe evitar.

NOTA: La primera vez que se opere la herramienta después de cambiar la dirección de rotación, puede escuchar un clic al encender. Esto es normal y no indica un problema.


Luz de trabajo LED giratoria (Fig. G, L)


La cápsula de la luz de trabajo LED giratoria **9** se puede ajustar físicamente por medio de tres posiciones de tope. La luz de trabajo LED giratoria **9** y el botón de luz de trabajo **10** están ubicados en el pie de la herramienta. La luz de trabajo se activa cuando se presiona el gatillo. Los modos Apagado **19**, Encendido **20** y de 20 minutos **21** se pueden cambiar presionando el botón de luz de trabajo **10** en el pie de la herramienta. Si el interruptor de gatillo permanece presionado, la luz de trabajo permanecerá en los modos encendido y 20 minutos.


Cuando esté en el ajuste encendido, la luz se apagará automáticamente 20 segundos después que se libere el interruptor de gatillo.

Modo de 20 Minutos


El ajuste alto es el modo de 20 minutos **21**. La luz de trabajo funcionará por 20 minutos después que se libere el interruptor de gatillo. Dos minutos antes que se apague la luz de trabajo, parpadeará dos veces y después se atenuará. Para evitar que la luz de trabajo se apague, toque ligeramente el interruptor de gatillo.


 **ADVERTENCIA:** Mientras use la luz de trabajo en el modo encendido o de 20 minutos, no vea directamente la luz o coloque el taladro en una posición que pueda causar que alguien vea directamente a la luz. Podría resultar en lesiones oculares serias.

 **ATENCIÓN:** Cuando use la herramienta como una luz de trabajo, confirme que está asegurada sobre una superficie estable donde no cause un riesgo de tropiezo o caída.

 **ATENCIÓN:** Retire todos los accesorios del mandril antes de usar el taladro como luz de trabajo. Podría resultar en lesiones personales o daño a la propiedad.

Realización de Aplicación (Fig. A)

 **ADVERTENCIA:** Para reducir el riesgo de lesiones personales, SIEMPRE asegúrese que la pieza de trabajo esté anclada o asegurada firmemente.

 **ADVERTENCIA:** Siempre espere hasta que el motor se detenga por completo antes de cambiar la dirección de rotación.

Antes de realizar el trabajo

- Ajuste el selector de velocidad **8**. Consulte **Selección de velocidad**.
- Instale la broca o accesorio apropiado en el mandril. Consulte **Instalación de broca o accesorio en el mandril sin llave**.

 **ADVERTENCIA:**

- No utilice esta herramienta para mezclar o bombear fluidos fácilmente combustibles o explosivos (bencina, alcohol, etc.).
- No mezcle ni agite líquidos inflamables etiquetados de forma correspondiente.

Destornillar

Su herramienta tiene un embrague con torque ajustable para introducir y retirar una amplia variedad de formas y tamaños de sujetadores. Los números 1–11 en el collar de selección de modo **5** se usan para ajustar un rango de torque para atornillar. Cuanto mayor sea el número en el collar, mayor será el torque y mayor será el sujetador que puede ser impulsado.

1. Gire el collar de selección de modo **5** en la posición deseada. Consulte **Selección de modo**.
2. Jale el interruptor de gatillo aplicando presión en línea recta con la broca hasta que el sujetador se asiente a la profundidad deseada en la pieza de trabajo.

Recomendaciones para atornillar

- Comience con ajustes de par de torsión más bajos, luego avance a ajustes de torsión más altos para evitar daños a la pieza de trabajo o sujetador.
- Realice algunos recorridos de práctica en chatarra o en áreas que no se verán de la pieza de trabajo para determinar la posición correcta del collar de selección de modo.

Perforación

1. Gire el collar de selección de modo **5** al símbolo de perforación. Consulte **Selección de modo**.
2. Coloque la broca en contacto con la pieza de trabajo.

NOTA: Sólo use brocas afiladas. Para MADERA, use brocas helicoidales, brocas de pala, brocas de barrena, brocas de autoalimentación o sierras circulares. Para METAL, use brocas helicoidales, brocas escalonadas,

cortadores de orificio de carburo o sierras circulares. Las brocas de perforación deben estar optimizadas para corte de METAL con recubrimientos y bordes de corte adecuados.

3. Jale el interruptor de gatillo aplicando presión en línea recta con la broca hasta que alcance la profundidad deseada.



ADVERTENCIA: PARA REDUCIR EL RIESGO DE LESIONES PERSONALES, SIEMPRE asegúrese que la pieza de trabajo esté anclada o sujeta firmemente. Si perfora material delgado, use un bloque de madera de "respaldo" para evitar daño al material.

4. Siempre aplique presión en línea recta con la broca. Use suficiente presión para mantener la broca perforando pero no presione demasiado para ahogar el motor o desviar la broca.
5. Sostenga la herramienta firmemente con ambas manos para controlar la acción de giro del taladro.
6. SI EL TALADRO SE ATORA, por lo general se debe a que se sobrecargó o se usó incorrectamente. LIBERE EL GATILLO DE INMEDIATO, retire la broca del trabajo, y determine la causa del atasco. NO DÉ CLIC EN EL GATILLO PARA ENCENDER Y APAGAR PARA INTENTAR ARRANCAR UN TALADRO ATASCADO, ESTO PUEDE DAÑAR LA BROCA.
7. Para minimizar el estancamiento o rompimiento del material, reduzca la presión sobre el taladro y facilite la perforación a través de la última parte fraccionaria del orificio.
8. Mantenga el motor en operación cuando retrae la broca del orificio perforado. Esto ayudará a prevenir el atascamiento.

Perforación en Metal

Comience a perforar a baja velocidad y aumente a la máxima potencia mientras aplica una presión firme sobre la herramienta. Un flujo uniforme y uniforme de virutas metálicas indica la tasa de perforación adecuada. Use un lubricante de corte cuando perforo metales. Las excepciones son hierro fundido y latón que se deben perforar en seco.

NOTA: Se pueden perforar agujeros grandes (7,9 mm a 13 mm [5/16" a 1/2"]) en acero si se perfora un orificio piloto (4 mm a 5 mm [5/32" a 3/16"]) primero.

NOTA: Cuando use un lubricante de corte, asegúrese de no poner el lubricante en la herramienta.

Perforación en Madera

Comience a perforar a baja velocidad y aumente a la máxima potencia mientras aplica una presión firme sobre la herramienta. Si es probable que se encuentren clavos, se deben usar brocas de perforación que puedan soportar golpes de los clavos. El trabajo que es propenso a astillarse debe respaldarse con un bloque de madera.

Rotoperforación

IMPORTANTE: Utilice brocas con punta de carburo o para mampostería clasificadas para la perforación de percusión solamente.

1. Seleccione el rango de velocidad/torque deseado con el selector de velocidad **8** para igualar la velocidad y torque para la operación planeada. Gire el collar de selección de modo **5** al símbolo de rotomartillo.
2. Jale el gatillo, aplicando presión suficiente sobre el martillo para evitar que rebote excesivamente o que se "levante" de la broca.

Recomendaciones para perforación con rotomartillo

- Demasiada fuerza causará velocidades de perforación más lentas, sobrecalentamiento y una menor tasa de perforación.
- Un flujo suave y uniforme de material indica la velocidad adecuada de perforación.
- Perfore de forma recta, manteniendo la broca en un ángulo recto con el trabajo. No ejerza presión lateral sobre la broca cuando perforo ya que esto provocará obstrucción de las ranuras de la broca y una velocidad de perforación más lenta.
- Al perforar orificios profundos, si la velocidad del martillo comienza a disminuir, saque la broca parcialmente del orificio con la herramienta todavía en funcionamiento para ayudar a despejar los desechos del orificio.

MANTENIMIENTO



ADVERTENCIA: Para reducir el riesgo de lesiones personales serias, apague la unidad y retire el paquete de batería antes de realizar cualquier ajuste o retirar/instalar conexiones o accesorios antes de la limpieza. Un arranque accidental puede causar lesiones.

Su DEWALT ha sido diseñada para funcionar durante un largo período de tiempo con un mínimo de mantenimiento. La operación satisfactoria continua depende del cuidado adecuado de la herramienta y la limpieza regular.

Limpieza



ADVERTENCIA: Sople la suciedad y el polvo de todos los conductos de ventilación con aire seco, al menos una vez por semana. Para reducir el riesgo de lesiones, utilice siempre protección para los ojos aprobada ANSI Z87.1 al realizar esta tarea.



ADVERTENCIA: Nunca utilice solventes ni otros químicos abrasivos para limpiar las piezas no metálicas de la herramienta. Estos productos químicos pueden debilitar los materiales plásticos utilizados en estas piezas. Utilice un paño humedecido sólo con agua y jabón neutro. Nunca permita que penetre líquido dentro de la herramienta ni sumerja ninguna de las piezas en un líquido.

Accesorios



ADVERTENCIA: Ya que los accesorios, diferentes a los ofrecidos por DEWALT, no han sido probados con este producto, el uso de tales accesorios con esta herramienta podría ser peligroso. Para reducir el riesgo de lesiones, sólo se deben usar accesorios recomendados por DEWALT con este producto.

Los accesorios recomendados para uso con su herramienta están disponibles por un costo adicional a partir de su distribuidor local o centro de servicio autorizado. Si necesita asistencia para localizar cualquier accesorio, póngase en contacto con DEWALT. Llame al **1-800-4-DEWALT (1-800-433-9258)** o visite nuestro sitio web: www.dewalt.com.

Capacidades máximas de corte

DCD1007

MADERA

Barrena	1–1/2"
Pala	1–1/2"
Giro	1"
Alimentación automática	3–5/8"
Sierra circular	5"

LÁMINA

Giro	1/2"
Sierra circular	4"
Broca escalonada	#9 (1–1/8")

PLACA DE ACERO

Cortador de orificios con punta de carburo	1"
--	----

MAMPOSTERÍA

Broca de percusión de carburo	1/2"
-------------------------------	------

Chip Tool Connect™ (Fig. K)

⚠️ ADVERTENCIA: Para reducir el riesgo de lesiones personales, apague la unidad y retire el paquete de batería antes de realizar cualquier ajuste o retirar/instalar conexiones o accesorios. Una activación de arranque accidental puede causar lesiones.

Su herramienta está lista con el Chip Tool Connect™ y tiene una ubicación para instalación de un Chip Tool Connect™.

El Chip Tool Connect™ es una aplicación opcional para su dispositivo inteligente (como un teléfono inteligente o tableta) que conecta el dispositivo para utilizar la aplicación móvil para funciones de administración de inventario.

Consulte la *Hoja de instrucciones del Chip Tool Connect™* para información adicional.

Instalación de Chip Tool Connect™

1. Retire los tornillos de retención **23** que sostienen la cubierta de protección del Chip Tool Connect™ **24** en la herramienta.
2. Retire la cubierta de protección e inserte el Chip Tool Connect™ en la cavidad vacía **25**.
3. Asegúrese que el Chip Tool Connect™ esté al ras con el alojamiento. Asegúrelo con los tornillos de retención y apriete los tornillos.
4. Consulte la *Hoja de Instrucciones de Chip Tool Connect™* para instrucciones adicionales.

Gancho para Cinturón y Gancho para Brocas (Fig. A)

Accesorio Opcional



ADVERTENCIA: Para reducir el riesgo de lesiones graves, SOLO use el gancho para cinturón de la herramienta para colgar la herramienta de un cinturón de trabajo. NO use el gancho para cinturón para colgar o sujetar la herramienta a una persona u objeto durante el uso. NO suspenda la herramienta de objetos en altura ni suspenda objetos del gancho para cinturón.



ADVERTENCIA: Para reducir el riesgo de lesiones graves, asegúrese de que el tornillo que sujeta el gancho para cinturón esté firme.

IMPORTANTE: Cuando enganche o cambie el gancho para cinturón o el gancho para brocas, utilice sólo el tornillo **12** que viene incluido. Asegúrese de ajustar bien el tornillo. El gancho para cinturón **11** y el gancho para brocas **13** pueden ponerse en cualquiera de los dos lados de la herramienta con el tornillo **12** incluido, para usuarios diestros o siniestros. Si nunca va a necesitar el gancho o el gancho para brocas, puede extraerlos de la herramienta. Para mover el gancho para cinturón o el gancho para brocas, quite el tornillo que lo sostiene en su lugar, luego vuelva a ensamblarlo en el otro lado de la herramienta. Asegúrese de ajustar bien el tornillo.

Reparaciones

No se puede dar servicio a la luz. El foco de la luz no puede ser reemplazado por el usuario.

El cargador y las unidades de batería no pueden ser reparados. El cargador y la unidad de batería no contienen piezas reparables.



ADVERTENCIA: Para asegurar la SEGURIDAD y la CONFIABILIDAD del producto, las reparaciones, el mantenimiento y los ajustes (inclusive la inspección y el cambio de las escobillas, cuando proceda) deben ser realizados en un centro de mantenimiento en la fábrica DEWALT u en un centro de mantenimiento autorizado DEWALT. Utilice siempre piezas de repuesto idénticas.

Para reparación y servicio de sus herramientas eléctricas, favor de dirigirse al Centro de Servicio más cercano

CULIACAN, SIN

Blvd. Emiliano Zapata 5400-1 Poniente Col. (667) 717 89 99
San Rafael

GUADALAJARA, JAL

Av. La Paz #1779 - Col. Americana Sector (33) 3825 6978
Juárez

MEXICO, D.F.

Eje Central Lázaro Cárdenas No. 18 - Local (55) 5588 9377
D, Col. Obrera

MERIDA, YUC

Calle 63 #459-A - Col. Centro (999) 928 5038

MONTERREY, N.L.

Av. Francisco I. Madero 831 Poniente - Col. (818) 375 23 13
Centro

PUEBLA, PUE

17 Norte #205 - Col. Centro (222) 246 3714

QUERETARO, QRO

Av. San Roque 274 - Col. San Gregorio (442) 2 17 63 14

SAN LUIS POTOSI, SLP

Av. Universidad 1525 - Col. San Luis (444) 814 2383

TORREON, COAH

Bldv. Independencia, 96 Pte. - Col. Centro (871) 716 5265

VERACRUZ, VER

Prolongación Díaz Mirón #4280 - Col. Remes (229) 921 7016

VILLAHERMOSA, TAB

Constitución 516-A - Col. Centro (993) 312 5111

PARA OTRAS LOCALIDADES:

Si se encuentra en México, por favor llame al (55) 5326 7100

**Si se encuentra en U.S., por favor llame al
1-800-4-DeWALT (1-800-433-9258) o visite nuestro sitio
web: www.dewalt.com**

Póliza de Garantía

IDENTIFICACIÓN DEL PRODUCTO:

Sello o firma del Distribuidor.

Nombre del producto: _____

Mod./Cat.: _____

Marca: _____

Núm. de serie: _____

(Datos para ser llenados por el distribuidor)

Fecha de compra y/o entrega del producto: _____

Nombre y domicilio del distribuidor donde se adquirió el producto: _____

Este producto está garantizado por un año a partir de la fecha de entrega, contra cualquier defecto en su funcionamiento, así como en materiales y mano de obra empleados para su fabricación. Nuestra garantía incluye la reparación o reposición del producto y/o componentes sin cargo alguno para el cliente, incluyendo mano de obra, así como los gastos de transportación razonablemente erogados derivados del cumplimiento de este certificado.

Para hacer efectiva esta garantía deberá presentar su herramienta y esta póliza sellada por el establecimiento comercial donde se adquirió el producto, de no contar con ésta, bastará la factura de compra.

Excepciones

Esta garantía no será válida en los siguientes casos:

- Cuando el producto se hubiese utilizado en condiciones distintas a las normales;
- Cuando el producto no hubiese sido operado de acuerdo con el instructivo de uso que se acompaña;

- Cuando el producto hubiese sido alterado o reparado por personas distintas a las enlistadas al final de este certificado.

Anexo encontrará una relación de sucursales de servicio de fábrica, centros de servicio autorizados y franquiciados en la República Mexicana, donde podrá hacer efectiva su garantía y adquirir partes, refacciones y accesorios originales.

Solamente para propósito de México:
Importado por: DeWALT S.A de C.V.
Antonio Dovali Jaime #70 Torre C Piso 8
Col. Santa Fe Alvaro Obregon,
Ciudad de Mexico, Mexico.
C.P 01210
TEL (52) 55 53267100
R.F.C.BDE8106261W7

Registro en Línea

Gracias por su compra. Registre su producto ahora para:

- **SERVICIO EN GARANTÍA:** Si completa esta tarjeta, podrá obtener un servicio en garantía más eficiente, en caso de que exista un problema con su producto.
- **CONFIRMACIÓN DE PROPIEDAD:** En caso de una pérdida que cubra el seguro, como un incendio, una inundación o un robo, el registro de propiedad servirá como comprobante de compra.
- **PARA SU SEGURIDAD:** Si registra el producto, podremos comunicarnos con usted en el caso improbable que se deba enviar una notificación de seguridad conforme a la Federal Consumer Safety Act (Ley Federal de Seguridad de Productos para el Consumidor).

Registro en línea en www.dewalt.com/account-login.

Garantía Limitada de Tres Años

Para los términos de garantía, visite www.dewalt.com/support/warranty.

Para solicitar una copia escrita de los términos de garantía, póngase en contacto con: Servicio al Cliente en DeWALT Industrial Tool Co., 701 East Joppa Road, Towson, MD 21286 o llame al **1-800-4-DeWALT (1-800-433-9258)**.

AMÉRICA LATINA: Esta garantía no aplica a productos vendidos en América Latina. Para productos vendidos en América Latina, consulte la información de garantía específica contenida en el empaque, llame a la compañía local o consulte la página de Internet respecto a la información de garantía.

REEMPLAZO GRATUITO DE ETIQUETA DE ADVERTENCIA:

Si sus etiquetas de advertencia se vuelven ilegibles o faltan, llame al **1-800-4-DeWALT (1-800-433-9258)** para reemplazo gratuito.

**Compatible battery packs and chargers / Blocs-piles et chargeurs compatibles /
Baterías y cargadores compatibles**

20V Max* Li-Ion	Battery Packs Blocos-piles Baterías	DCB201, DCB203, DCB203G, DCB204, DCB204BT**, DCB205, DCB205G, DCB205BT**, DCB206, DCB208, DCB210, DCB230, DCB240, DCBP034, DCBP520, DCB2108
	Chargers	
	Chargeurs Cargadores	DCB094, DCB102, DCB103, DCB104, DCB107, DCB112, DCB113, DCB115, DCB118, DCB132, DCB1102, DCB1104, DCB1106, DCB1112

60V Max* Li-Ion	Battery Packs Blocos-piles Baterías	DCB606, DCB609, DCB609G, DCB612, DCB615
	Chargers	
	Chargeurs Cargadores	DCB094, DCB102, DCB103, DCB104, DCB107, DCB112, DCB113, DCB115, DCB118, DCB132, DCB1102, DCB1104, DCB1106, DCB1112

* Maximum initial battery voltage (measured without a workload) is 20, 60 or 120 volts. Nominal voltage is 18, 54 or 108. (120V Max* is based on using 2 DeWALT 60V Max* lithium-ion batteries combined.)

* La tension initiale maximum du bloc-piles (mesurée à vide) est de 20, 60 ou 120 volts. La tension nominale est de 18, 54 ou 108. (120V max* se base sur l'utilisation combinée de 2 blocs-piles au lithium ion DeWALT de 60V max*.)

* El máximo voltaje inicial de la batería (medido sin carga de trabajo) es 20 o 60 o 120 voltios. El voltaje nominal es de 18, 54 o 108V. (120V Máx* se basan en el uso de 2 baterías de iones de litio DeWALT de 60V Máx* combinadas.)

**BT - Bluetooth®

NOTE: The Bluetooth® word mark and logos are registered trademarks owned by the Bluetooth® SIG, Inc., and any use of such marks by DeWALT is under license. Other trademarks and trade names are those of their respective owners.

REMARQUE : le mot servant de marque et les logos Bluetooth® sont des marques déposées appartenant à Bluetooth SIG, Inc., et toute utilisation de ces marques par DeWALT est sous licence. Les autres marques de commerce et noms commerciaux sont ceux de leurs détenteurs respectifs.

NOTA: La palabra y los logotipos de Bluetooth® son marcas registradas propiedad de Bluetooth® SIG, Inc., y DeWALT utiliza dichas marcas bajo licencia. Otras marcas comerciales y nombres comerciales pertenecen a sus respectivos propietarios.



WARNING: Use of any other battery packs may create a risk of injury and fire.



AVERTISSEMENT : utiliser d'autres blocs-piles peut créer un risque de blessure ou d'incendie.



ADVERTENCIA: El uso de cualquier otro paquete de batería puede crear un riesgo de lesiones e incendio.

DeWALT Industrial Tool Co., 701 East Joppa Road, Towson, MD 21286
Copyright © 2024

The following are trademarks for one or more DeWALT power tools: the yellow and black color scheme, the "D" shaped air intake grill, the array of pyramids on the handgrip, the kit box configuration, and the array of lozenge-shaped humps on the surface of the tool.